



US00D711160S

(12) **United States Design Patent**  
**Arnold**

(10) **Patent No.:** **US D711,160 S**

(45) **Date of Patent:** **\*\* Aug. 19, 2014**

(54) **MATTRESS**

D670,950 S \* 11/2012 Price ..... D6/605  
D674,229 S \* 1/2013 Roberts et al. .... D6/605  
D690,962 S \* 10/2013 Danileson ..... D6/605

(71) Applicant: **Sealy Technology, LLC**, Trinity, NC  
(US)

\* cited by examiner

(72) Inventor: **Elena Arnold**, Browns Summit, NC  
(US)

*Primary Examiner* — Janice Seeger

(73) Assignee: **Sealy Techonology, LLC**, Trinity, NC  
(US)

(57) **CLAIM**

The ornamental designs for a mattress, as shown and described.

(\*\*) Term: **14 Years**

**DESCRIPTION**

(21) Appl. No.: **29/466,467**

FIG. 1 is a perspective view of a first embodiment of the mattress;

(22) Filed: **Sep. 9, 2013**

FIG. 2 is an end view of the mattress of FIG. 1, identical to the opposite end thereof;

(51) **LOC (10) Cl.** ..... **06-09**

FIG. 3 is side view of the mattress of FIG. 1, identical to the opposite side thereof.

(52) **U.S. Cl.**

FIG. 4 is a top plan view of the mattress of FIG. 1, the opposite side of which is identical in appearance;

USPC ..... **D6/605**

FIG. 5 is a perspective view of a first alternate embodiment of the mattress of FIG. 1;

(58) **Field of Classification Search**

USPC ..... D6/595, 596, 601, 604, 605, 606;  
5/690, 706, 716, 717, 739, 740, 657.5,  
5/907; D1/100; D28/8.1; D25/113;  
D9/414, 416

FIG. 6 is an end view of a second embodiment of the mattress of FIG. 5, identical to the opposite end thereof;

FIG. 7 is a side view of the mattress of FIG. 5, identical to the opposite side thereof;

See application file for complete search history.

FIG. 8 is a top plan view of the mattress of FIG. 5, the opposite side of which is identical in appearance;

FIG. 9 is a perspective view of a second alternate embodiment of the mattress of FIG. 1;

(56) **References Cited**

**U.S. PATENT DOCUMENTS**

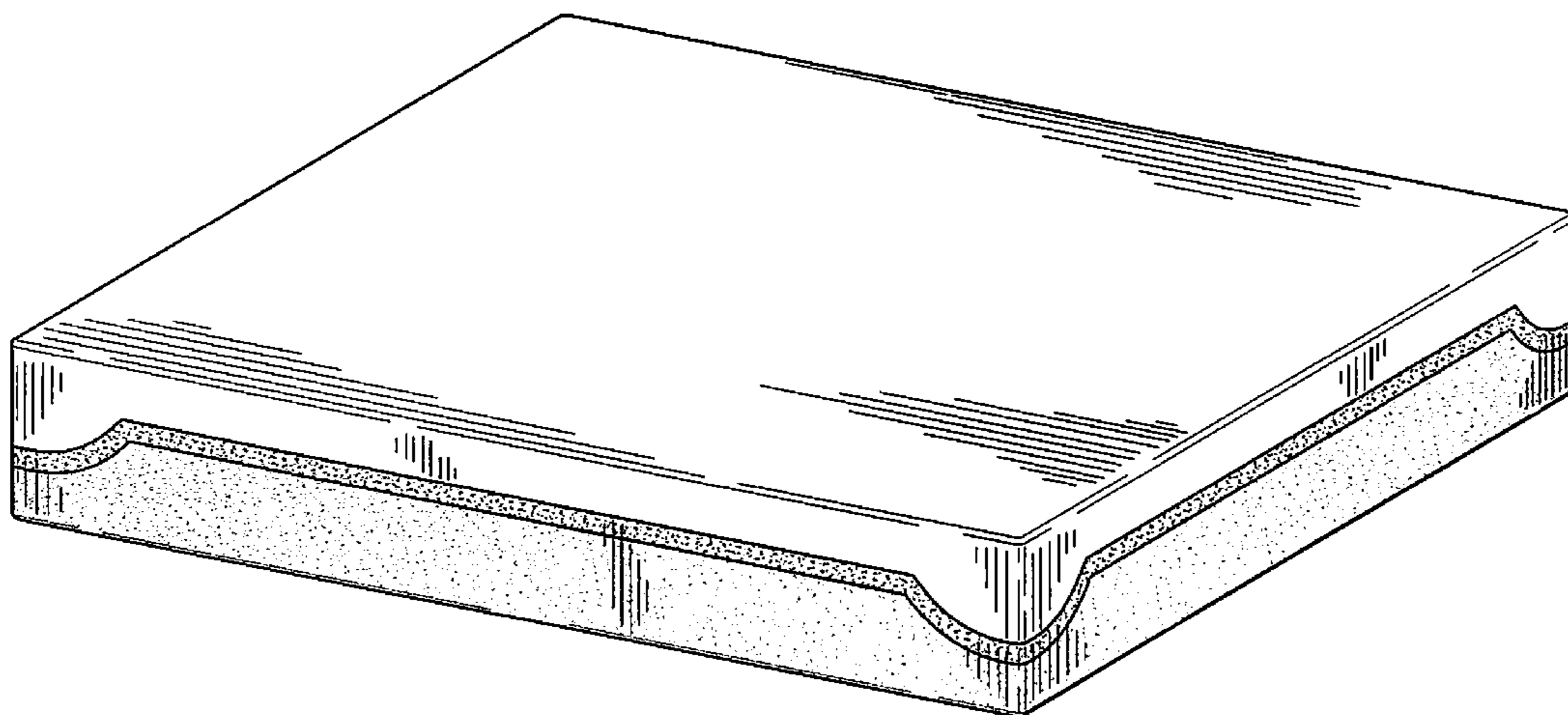
3,047,888 A \* 8/1962 Shecter et al. .... 428/218  
D218,401 S \* 8/1970 Segal ..... D9/414  
D479,082 S \* 9/2003 Daughtery et al. .... D6/596  
D662,754 S \* 7/2012 Shive ..... D6/605  
D663,152 S \* 7/2012 Shive ..... D6/605  
D665,615 S \* 8/2012 Frame et al. .... D6/606

FIG. 10 is an end view of the mattress of FIG. 9, identical to the opposite end thereof;

FIG. 11 is a side view of the mattress of FIG. 9, identical to the opposite side thereof; and,

FIG. 12 is a top plan view of the mattress of FIG. 9, the opposite side of which is identical in appearance.

**1 Claim, 9 Drawing Sheets**



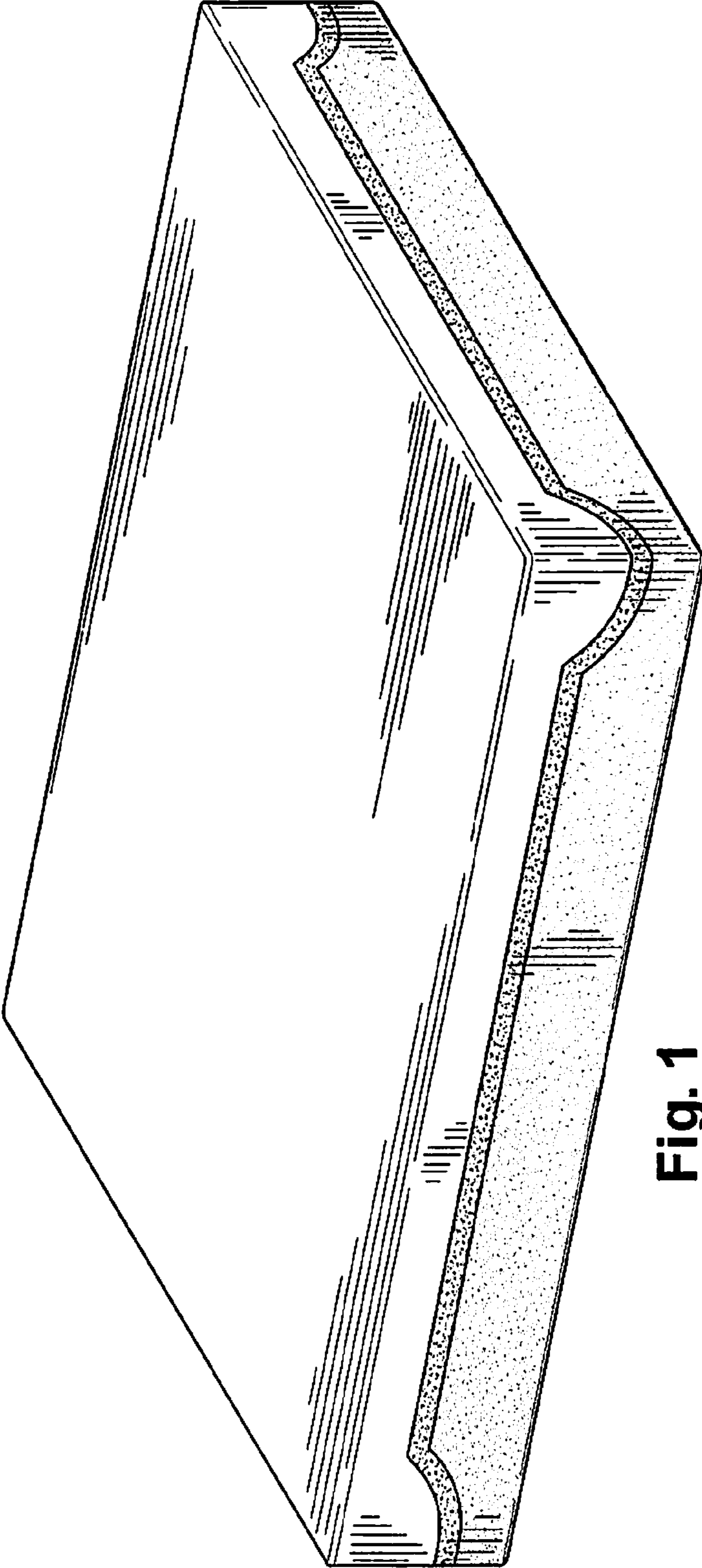


Fig. 1

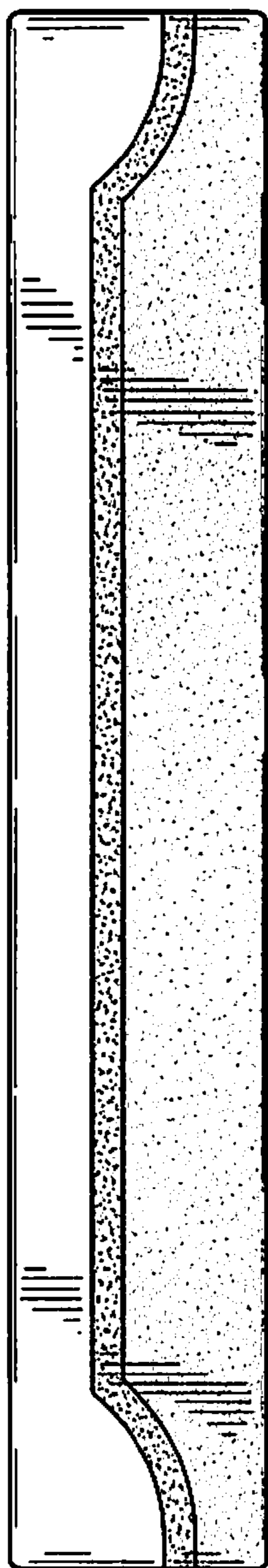


Fig. 2

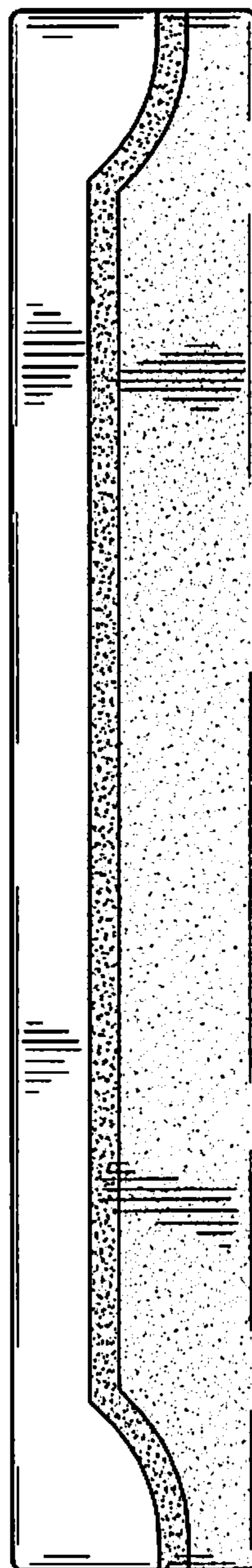


Fig. 3

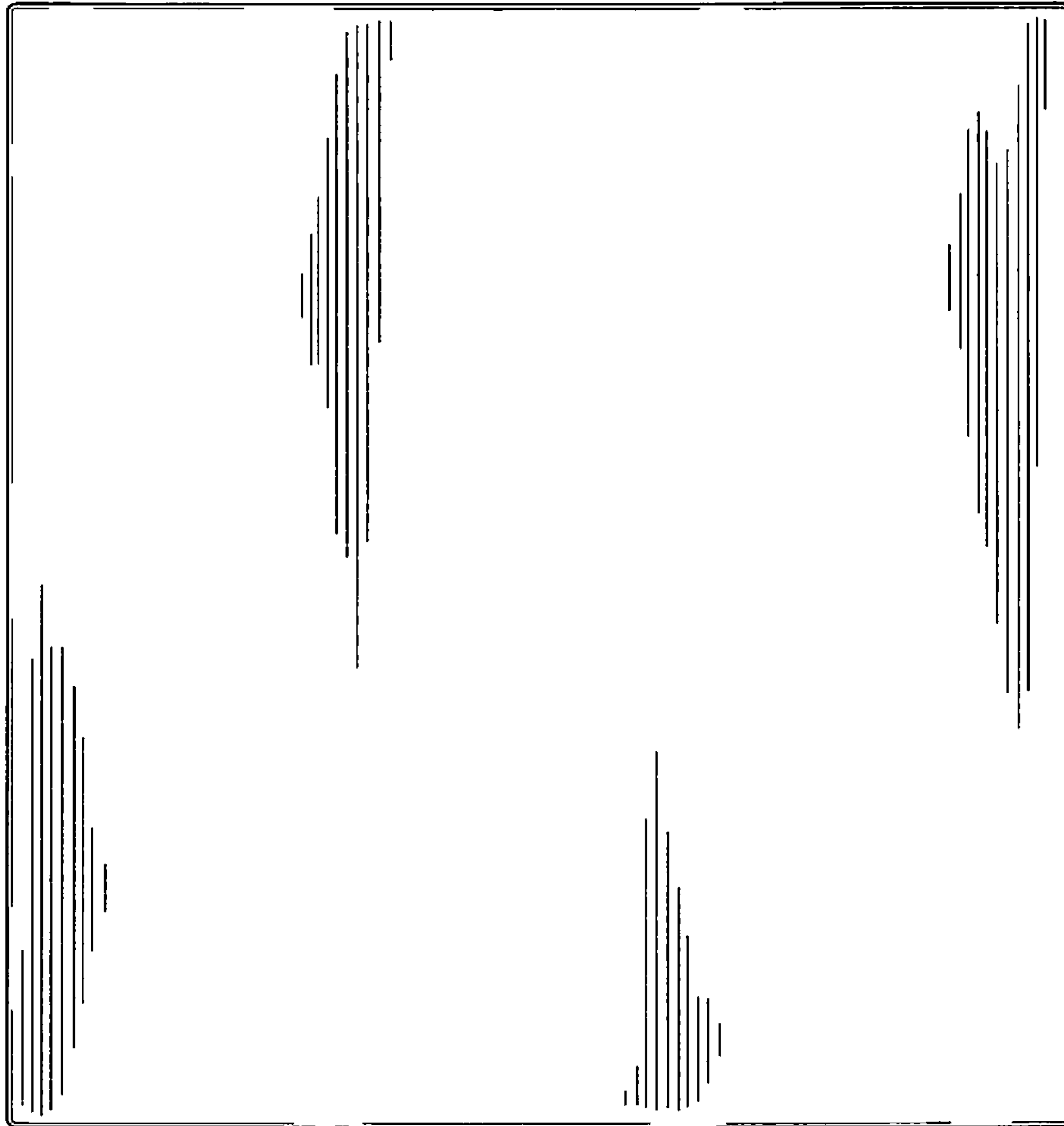


Fig. 4

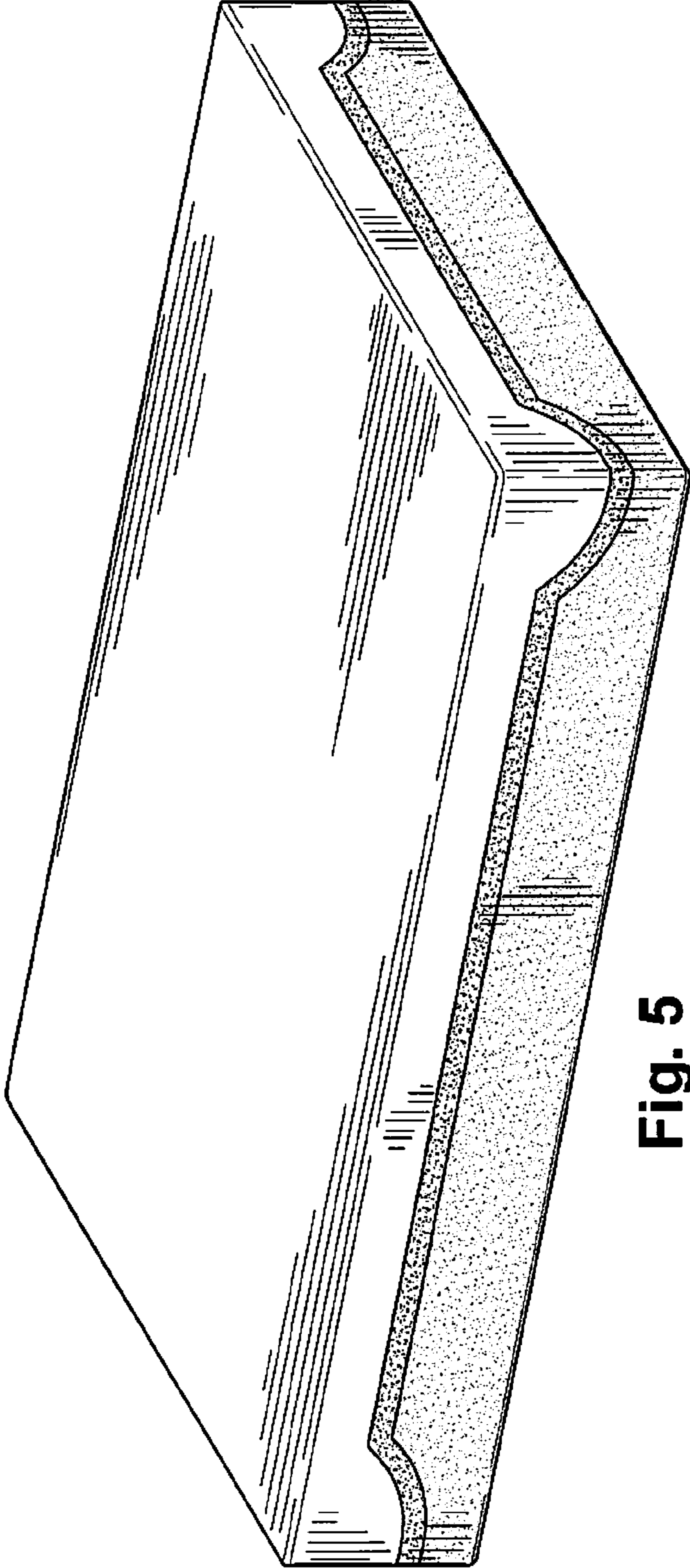
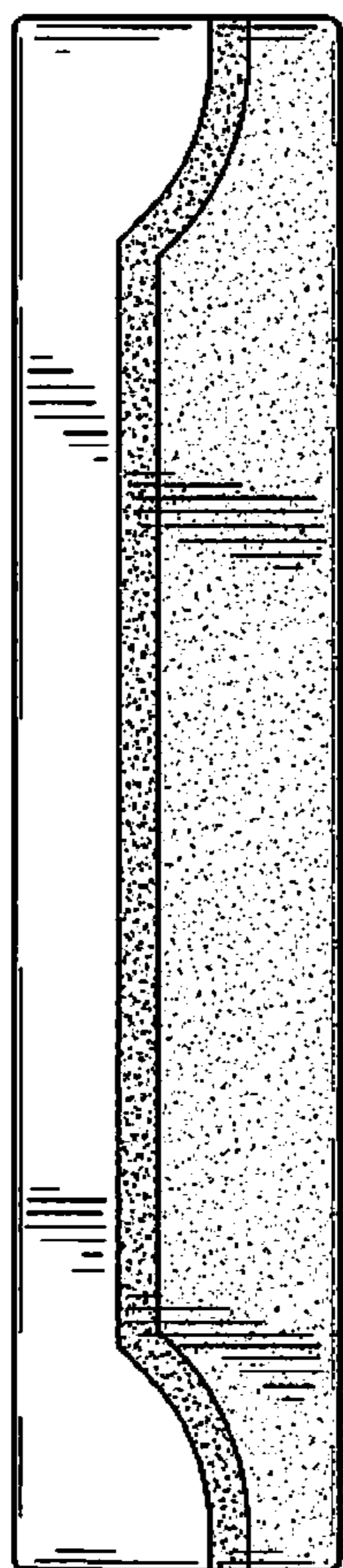
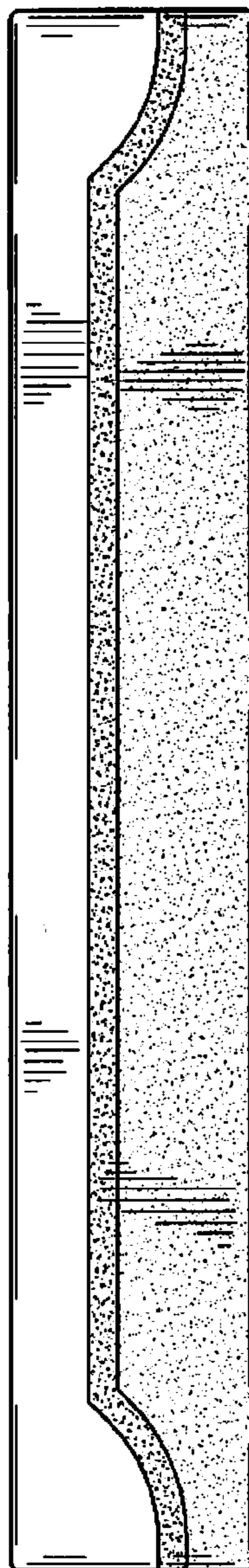


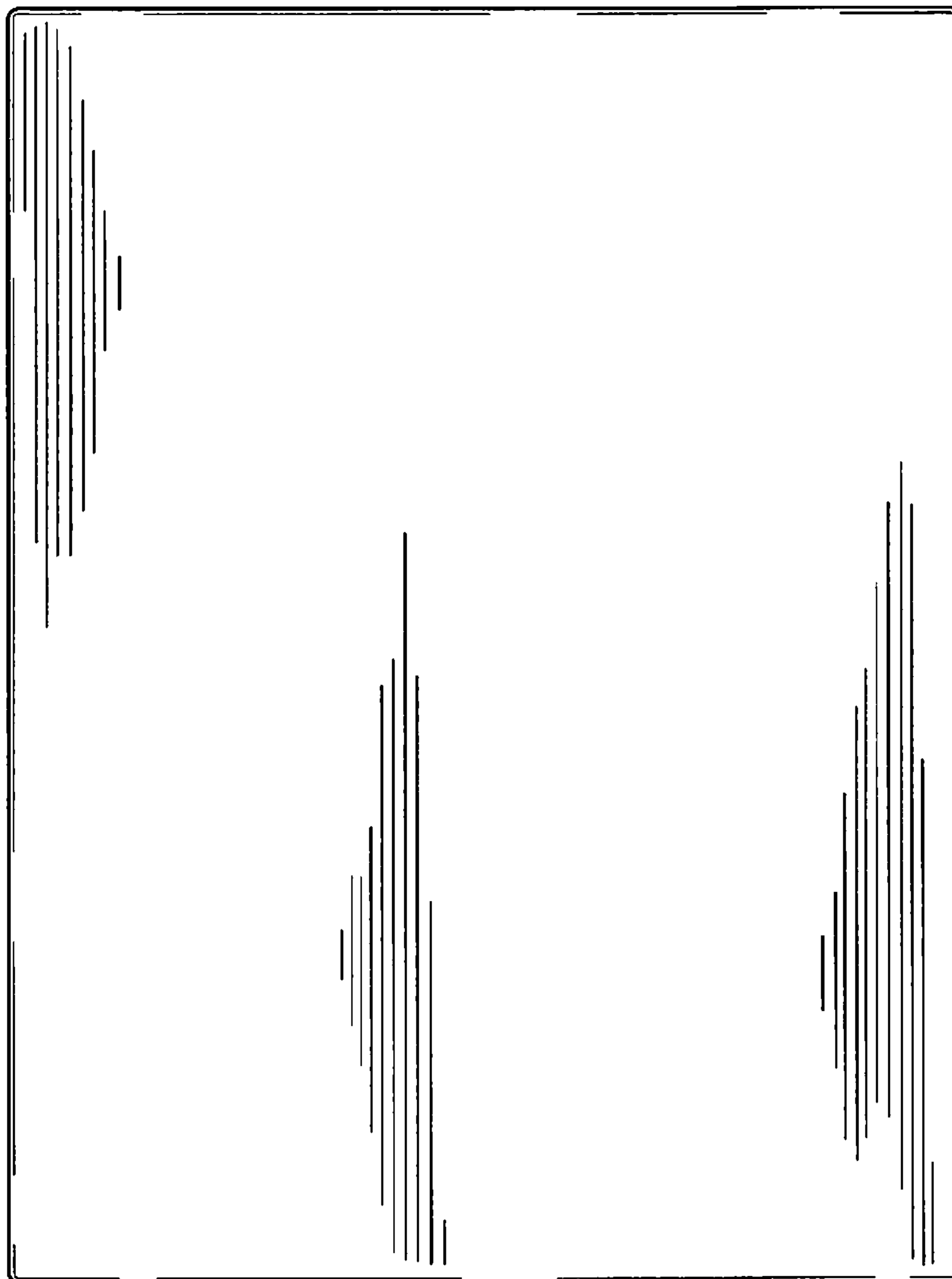
Fig. 5



**Fig. 6**



**Fig. 7**



**Fig. 8**

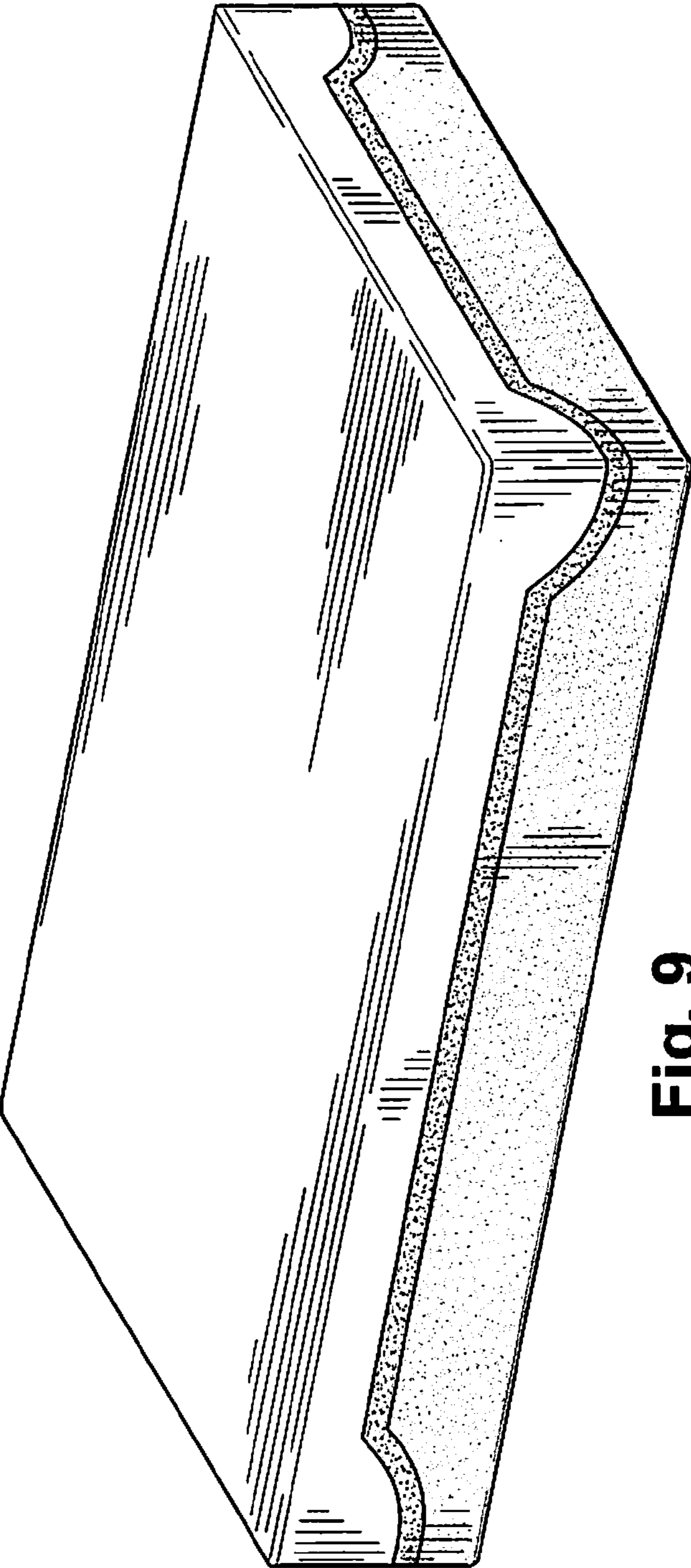
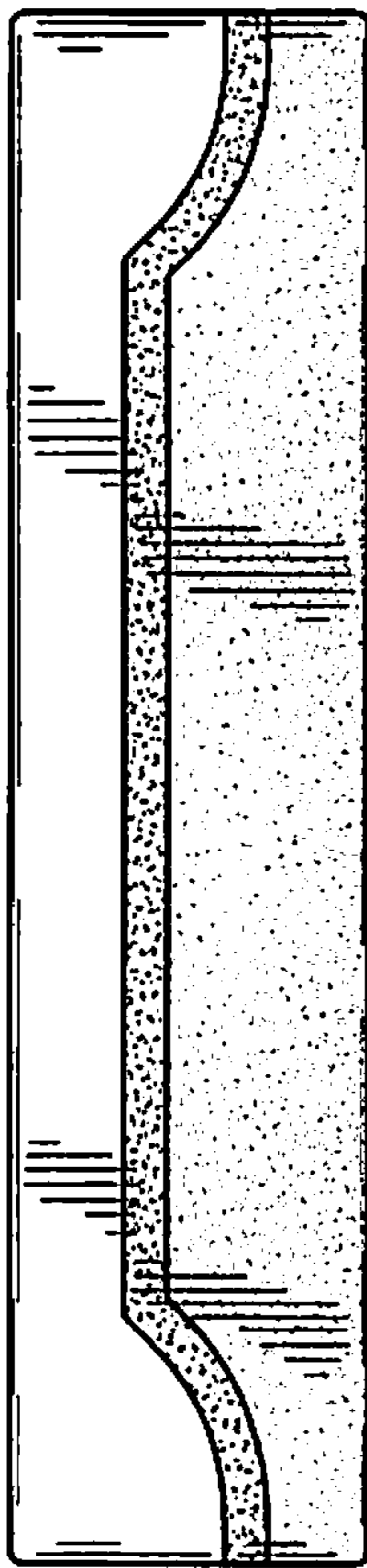
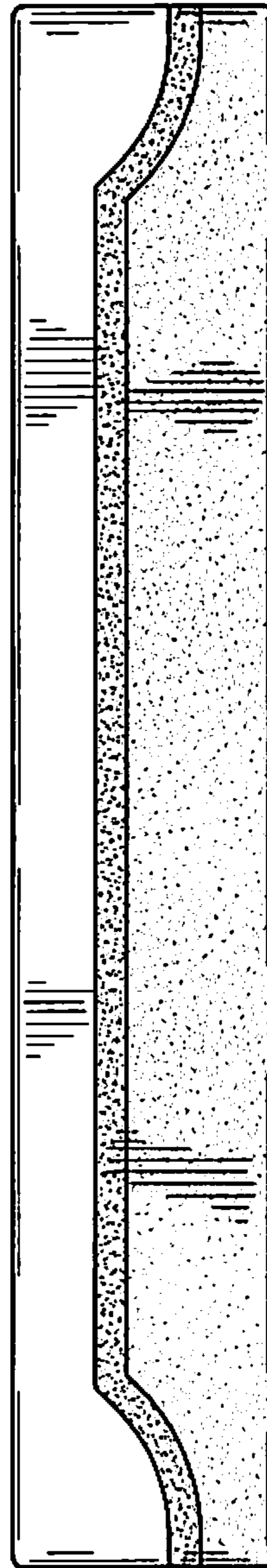


Fig. 9





**Fig. 10**



**Fig. 11**

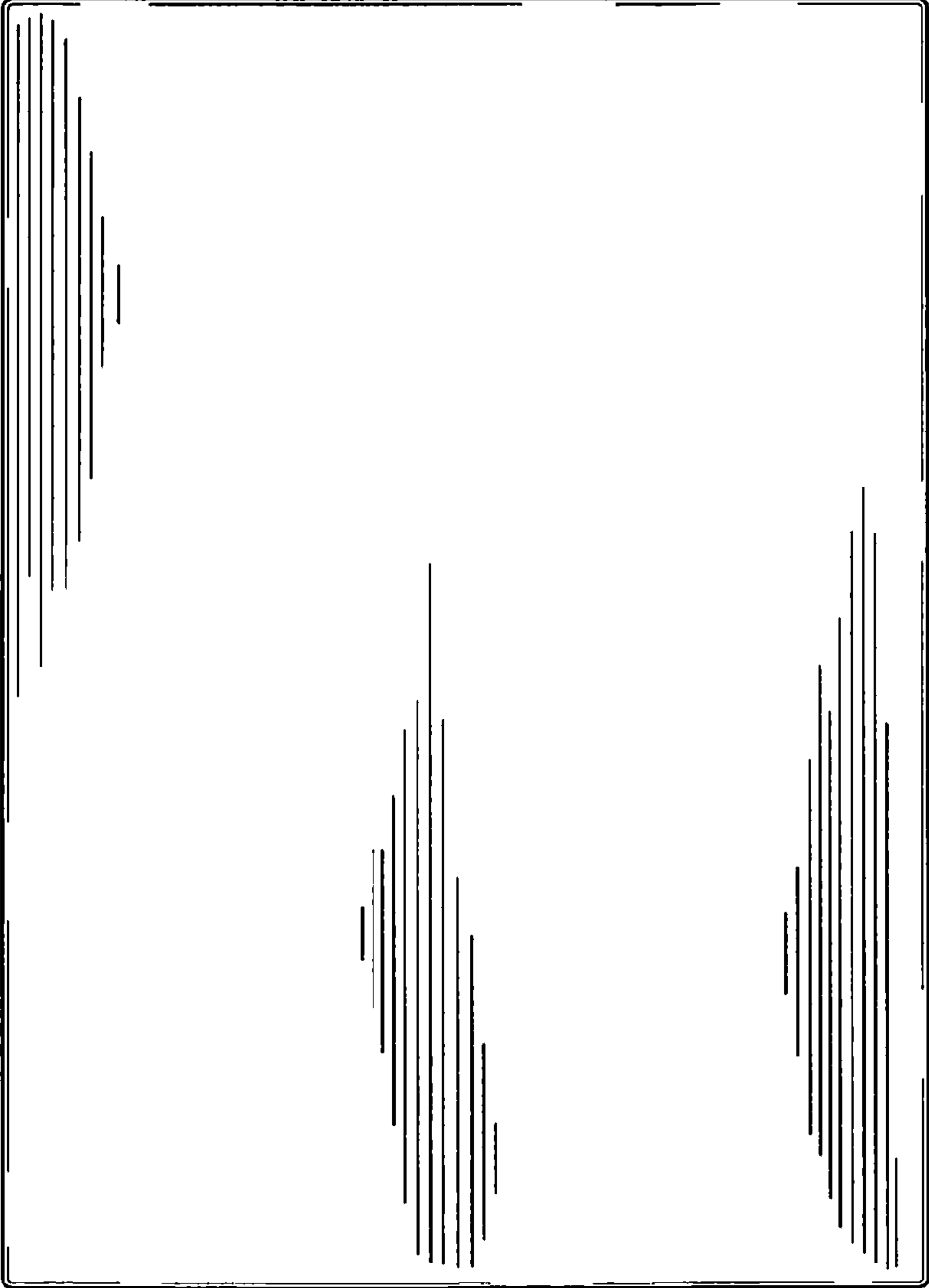


Fig. 12