



US00D711155S

(12) **United States Design Patent**
OBrien

(10) **Patent No.:** **US D711,155 S**

(45) **Date of Patent:** **** Aug. 19, 2014**

(54) **TOWEL BAR SHELF**

(71) Applicant: **Kevin Shawn OBrien**, McKinney, TX
(US)

(72) Inventor: **Kevin Shawn OBrien**, McKinney, TX
(US)

(**) Term: **14 Years**

(21) Appl. No.: **29/437,897**

(22) Filed: **Nov. 21, 2012**

(51) **LOC (10) Cl.** **06-04**

(52) **U.S. Cl.**
USPC **D6/550; D6/574**

(58) **Field of Classification Search**
USPC D6/329, 396, 417, 552, 553, 567, 574;
108/152; 211/13.1, 49.1, 60.1, 64,
211/70.5, 86.01, 87.01, 88.01, 89.01,
211/181.1; 248/560, 121, 175, 200, 302,
248/304, 309.1, 310, 312
See application file for complete search history.

(56) **References Cited**

U.S. PATENT DOCUMENTS

D253,503 S * 11/1979 Albert D6/549
4,372,449 A * 2/1983 Fink 211/106
D299,894 S * 2/1989 Vignale D6/574

D392,488 S * 3/1998 Emery et al. D6/546
D598,228 S * 8/2009 West D6/574
D606,350 S * 12/2009 Bellant D6/574
D657,601 S * 4/2012 Beckner D6/574
D670,521 S * 11/2012 Cittadino D6/549

* cited by examiner

Primary Examiner — Brian N Vinson

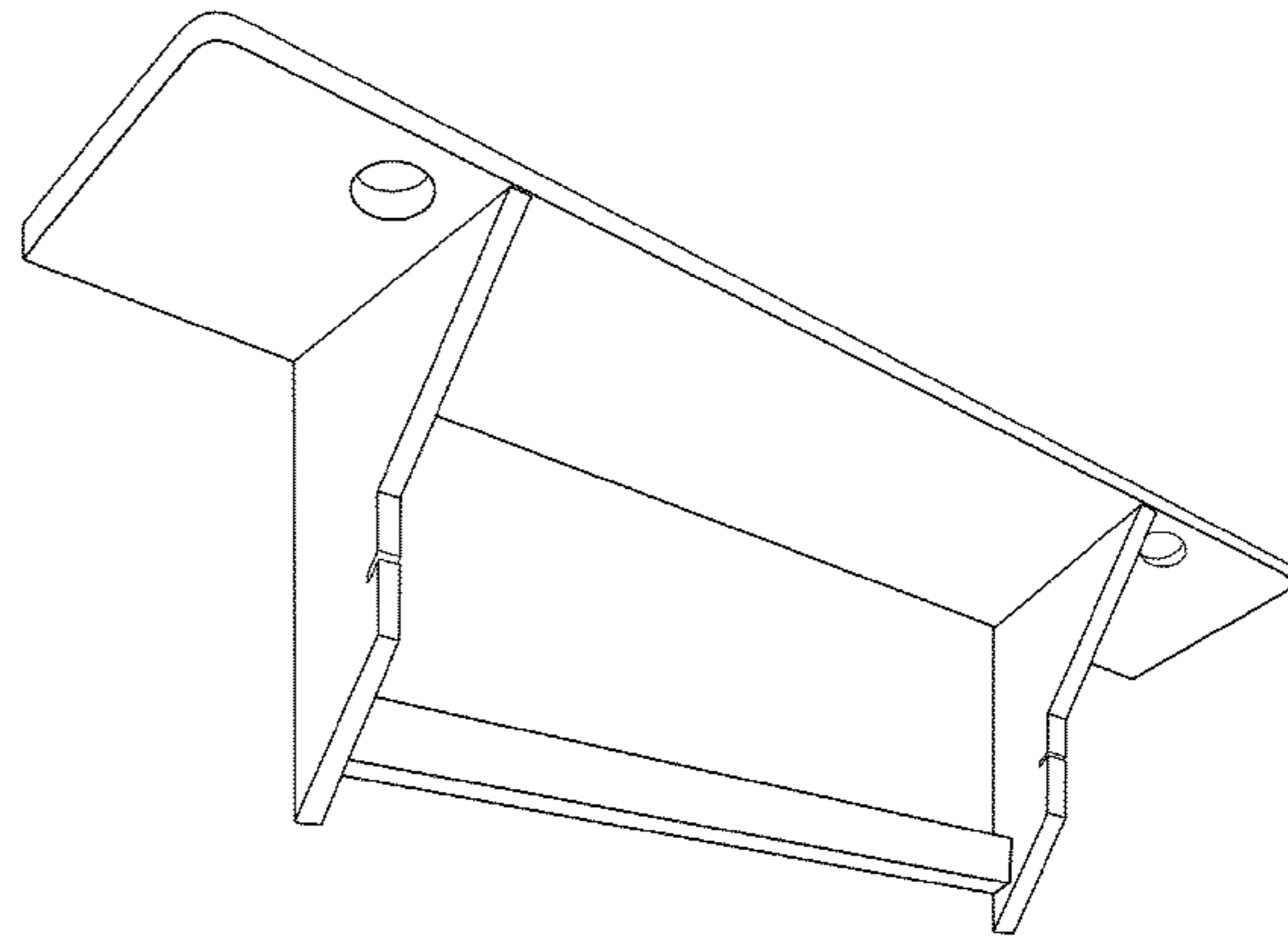
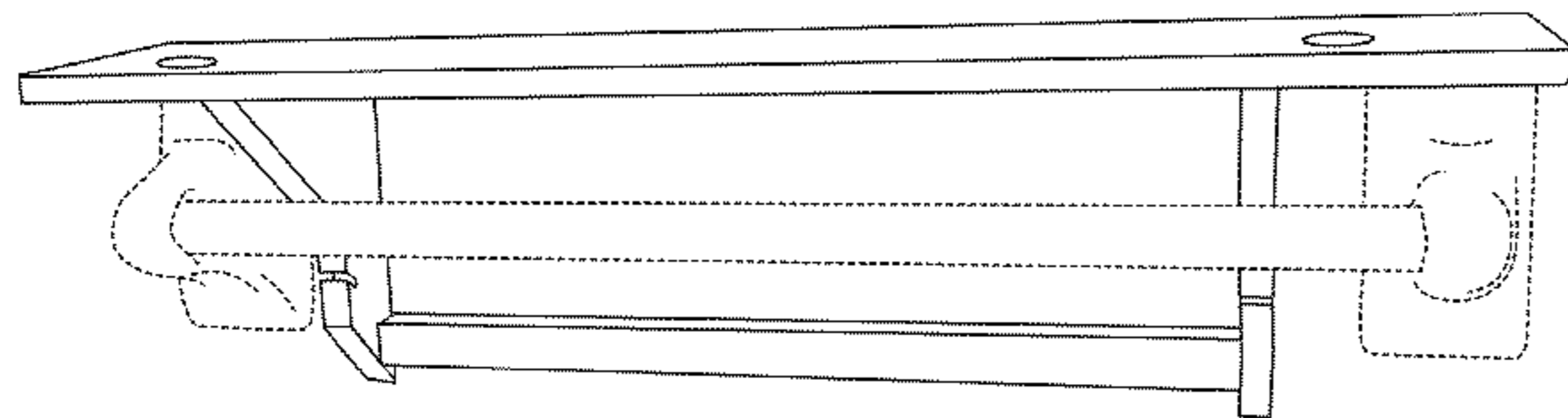
(57) **CLAIM**

The ornamental design for a towel bar shelf, as shown and described.

DESCRIPTION

FIG. 1 is a top and front perspective view of a towel bar shelf showing my new design;
FIG. 2 is a bottom, front, and left side perspective view thereof;
FIG. 3 is a top plan view thereof;
FIG. 4 is a right side elevational view thereof;
FIG. 5 is a left side elevational view thereof; and,
FIG. 6 is an enlarged, partial bottom, front and left side perspective view thereof.
The broken-line disclosure of a towel bar in the first and sixth figures is for illustrative purposes only and forms no part of the claimed design.

1 Claim, 2 Drawing Sheets



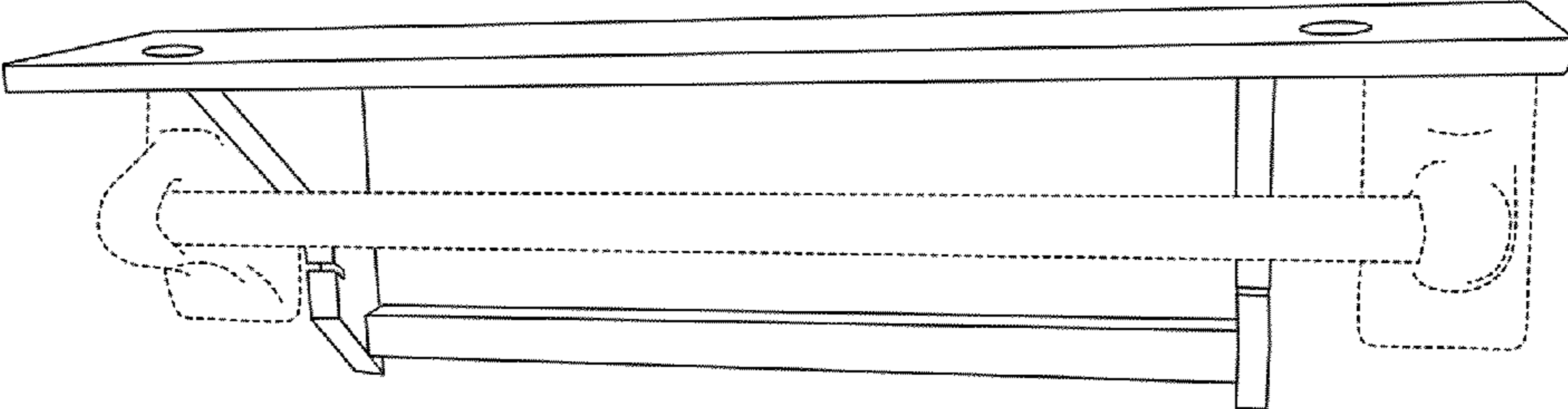


FIG.1

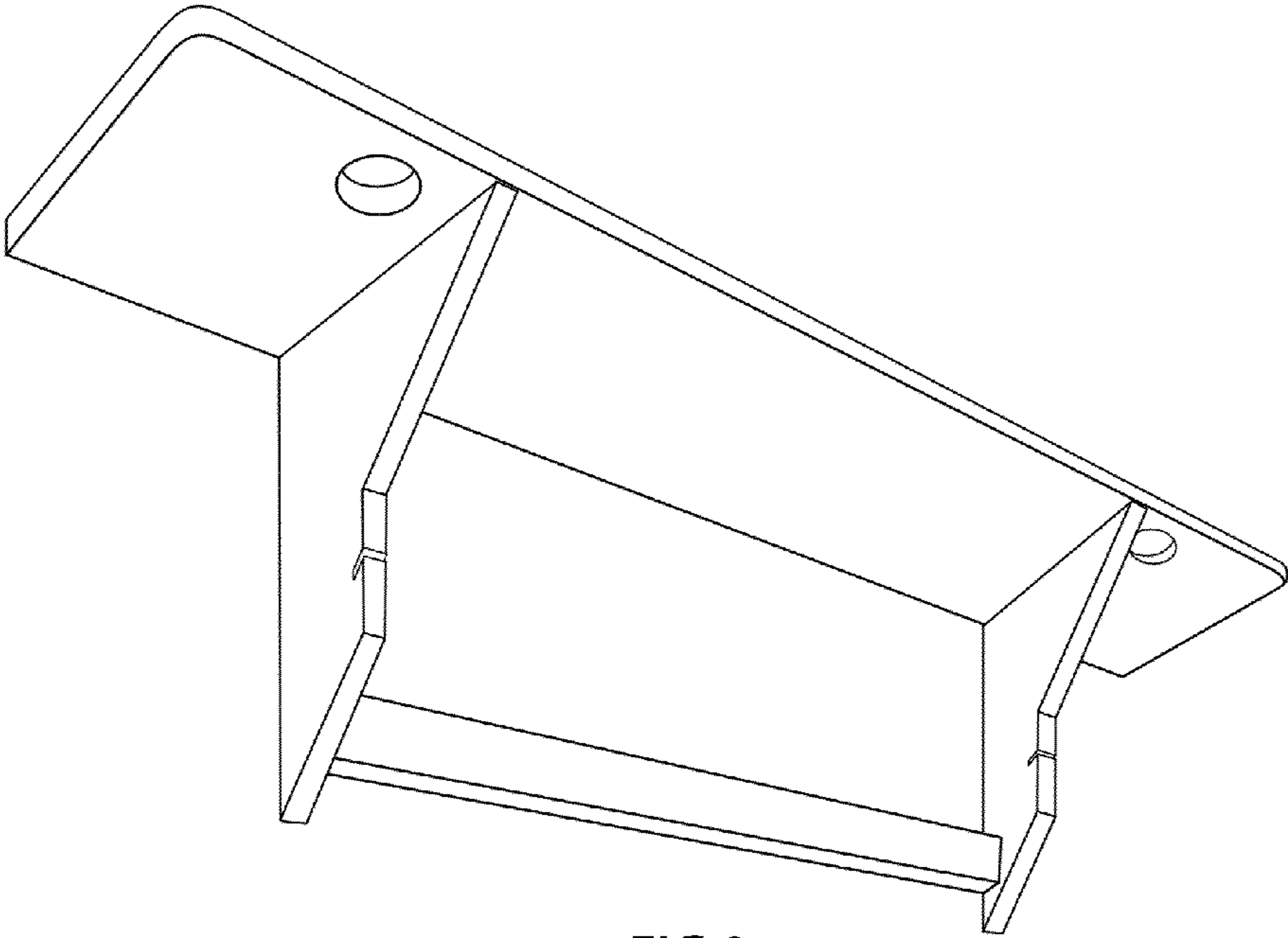


FIG.2

FIG.3

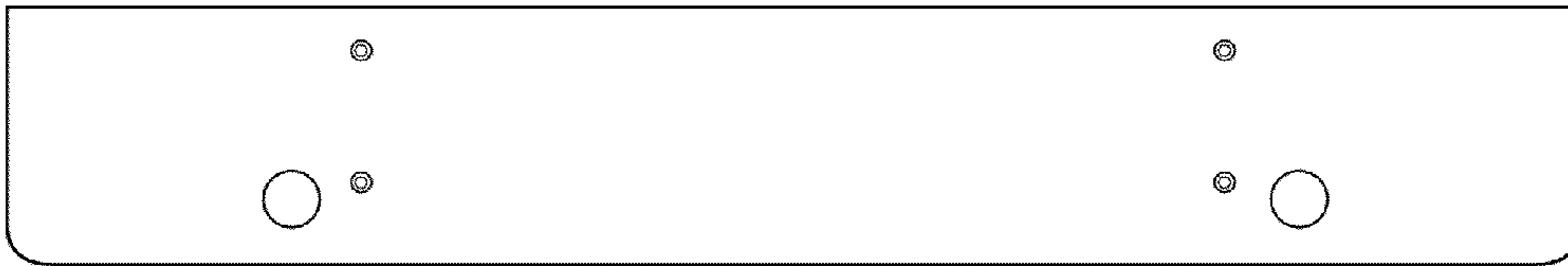


FIG.4



FIG.5

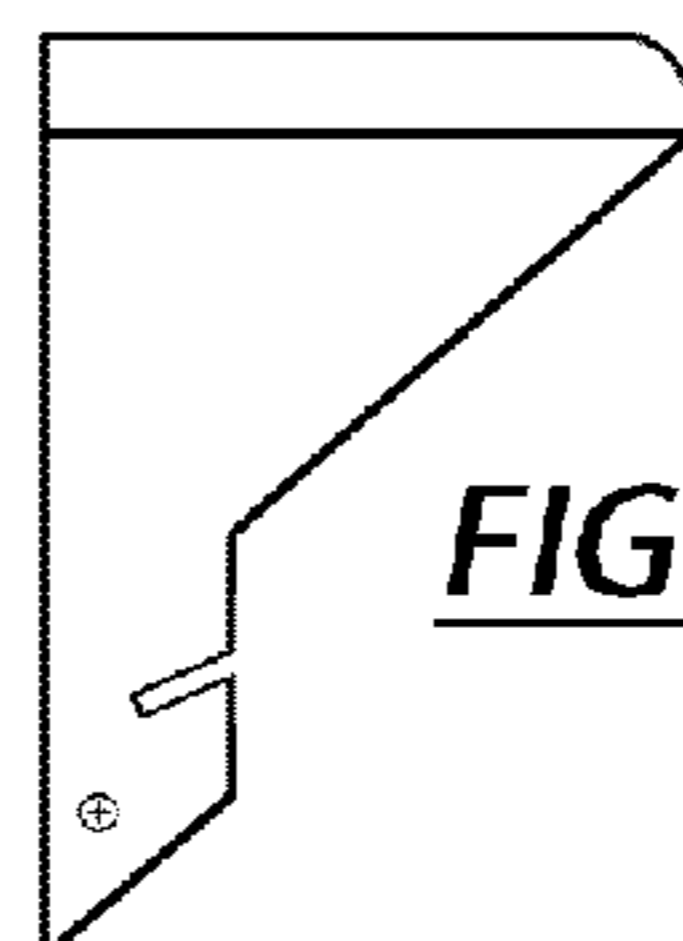


FIG.6

