



US00D711153S

(12) **United States Design Patent**
Bonham

(10) **Patent No.:** **US D711,153 S**
(45) **Date of Patent:** **** Aug. 19, 2014**

(54) **JEWELRY CAROUSEL**

(71) Applicant: **Mary L. Bonham**, Sulphur Springs, TX
(US)

(72) Inventor: **Mary L. Bonham**, Sulphur Springs, TX
(US)

(**) Term: **14 Years**

(21) Appl. No.: **29/440,852**

(22) Filed: **Dec. 28, 2012**

(51) **LOC (10) Cl.** **06-06**

(52) **U.S. Cl.**
USPC **D6/514; D6/322**

(58) **Field of Classification Search**
USPC D6/553, 567, 569-572, 315, 320, 322;
248/309.1; D8/345, 363, 367,
D8/371-373, 380; 206/349; 211/13.1
See application file for complete search history.

(56) **References Cited**

U.S. PATENT DOCUMENTS

3,416,673	A	12/1968	Ballard	
3,851,562	A	12/1974	Tomita et al.	
4,010,868	A	3/1977	Rese et al.	
4,192,563	A	3/1980	Levkovitch	
4,336,875	A	6/1982	Minnetti	
D273,645	S *	5/1984	McEvers	D6/513
D286,964	S *	12/1986	Gecchelin	D6/569
D298,591	S *	11/1988	Arner et al.	D6/315
D320,713	S *	10/1991	Greenhut et al.	D6/513
D352,177	S *	11/1994	Nadel	D6/315
D355,770	S *	2/1995	Taylor et al.	D6/315
5,474,187	A	12/1995	Taylor et al.	
D382,717	S *	8/1997	Rolnick et al.	D6/315
D383,315	S	9/1997	Woodring	
D411,372	S *	6/1999	Woodring	D6/315
D422,795	S *	4/2000	Hollinger	D6/322

OTHER PUBLICATIONS

Ad image of Auto-Drive tie rack, date unknown.
Ad images (2) of Ion tie rack, date unknown.
Ad image of tie rack from Brookstone.com web site, downloaded
Mar. 19, 2010.
Five different views of Tie Butler brand tie rack, date unknown.

* cited by examiner

Primary Examiner — Brian N Vinson

(74) *Attorney, Agent, or Firm* — Law Office of William
Gustavson, P.C.

(57) **CLAIM**

The ornamental design for a jewelry carousel, as shown and
described.

DESCRIPTION

FIG. 1 is a perspective top view of a first embodiment of a
jewelry carousel embodying my design, the bar hanging
structure shown in dotted line forming no part of the present
invention;

FIG. 2 is a perspective bottom view of the first embodiment,
the bar hanging structure shown in dotted line forming no part
of the present invention;

FIG. 3 is a right side view of the first embodiment, the left side
view being an identical mirror image of the right side view,
the bar hanging structure shown in dotted line forming no part
of the present invention;

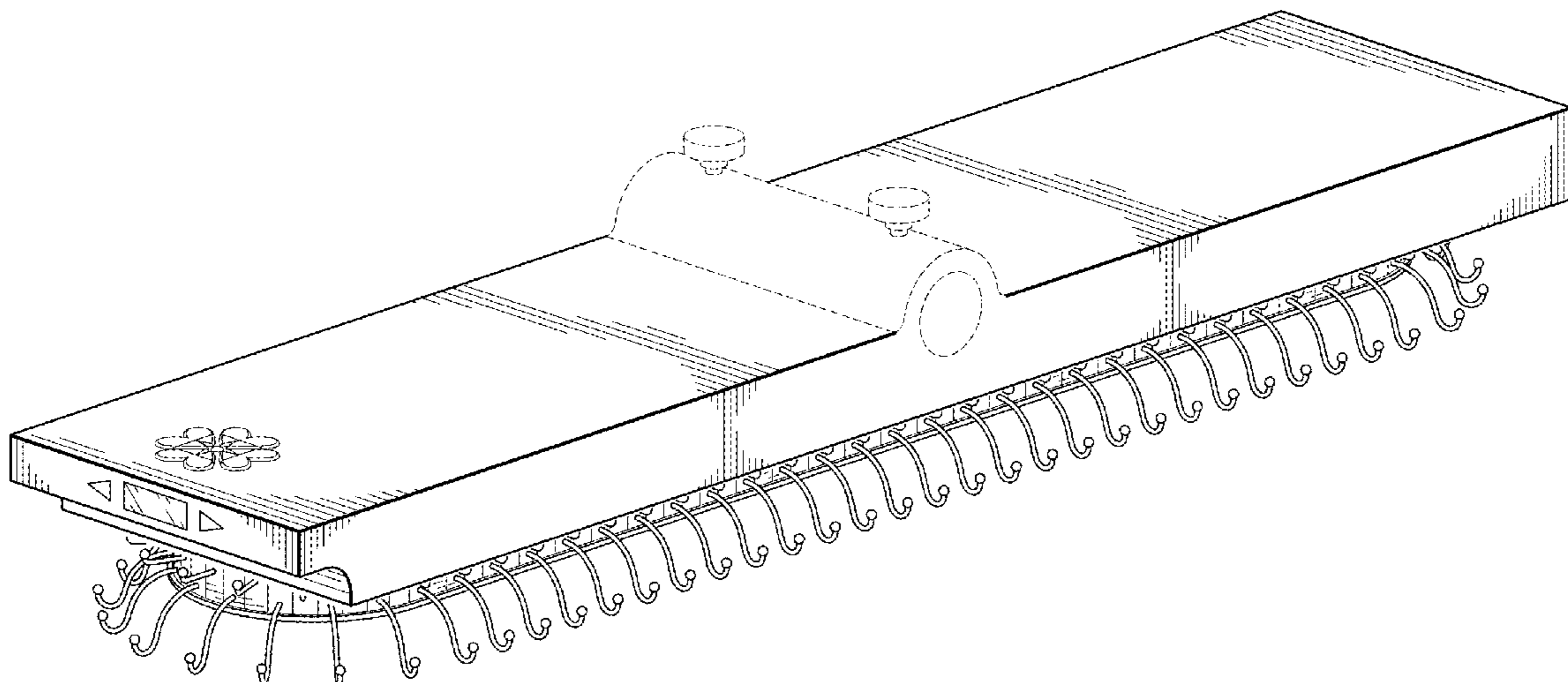
FIG. 4 is a back view of the first embodiment, the bar hanging
structure shown in dotted line forming no part of the present
invention;

FIG. 5 is a front view of the first embodiment, the bar hanging
structure shown in dotted line forming no part of the present
invention;

FIG. 6 is a top view of the first embodiment, the bar hanging
structure shown in dotted line forming no part of the present
invention; and,

FIG. 7 is a bottom view of the first embodiment.

1 Claim, 4 Drawing Sheets



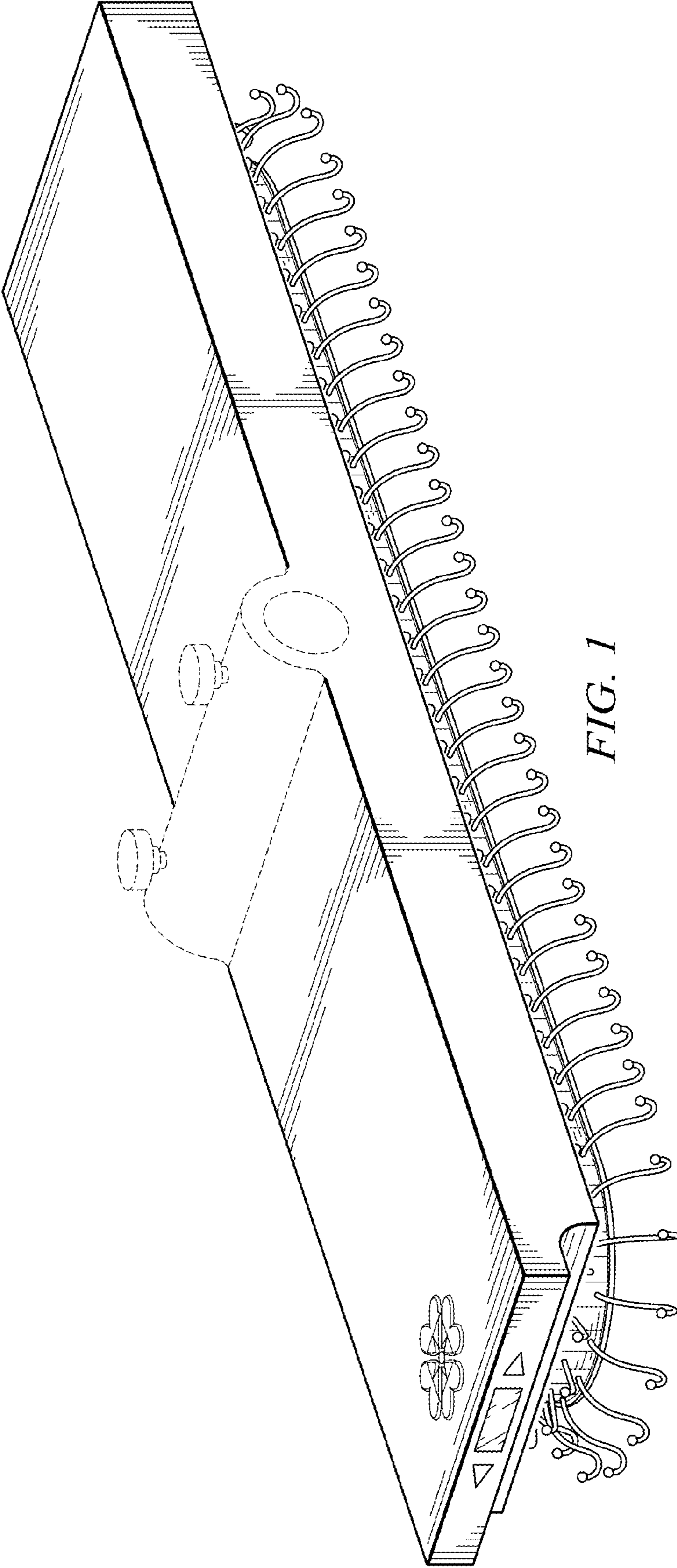


FIG. 1

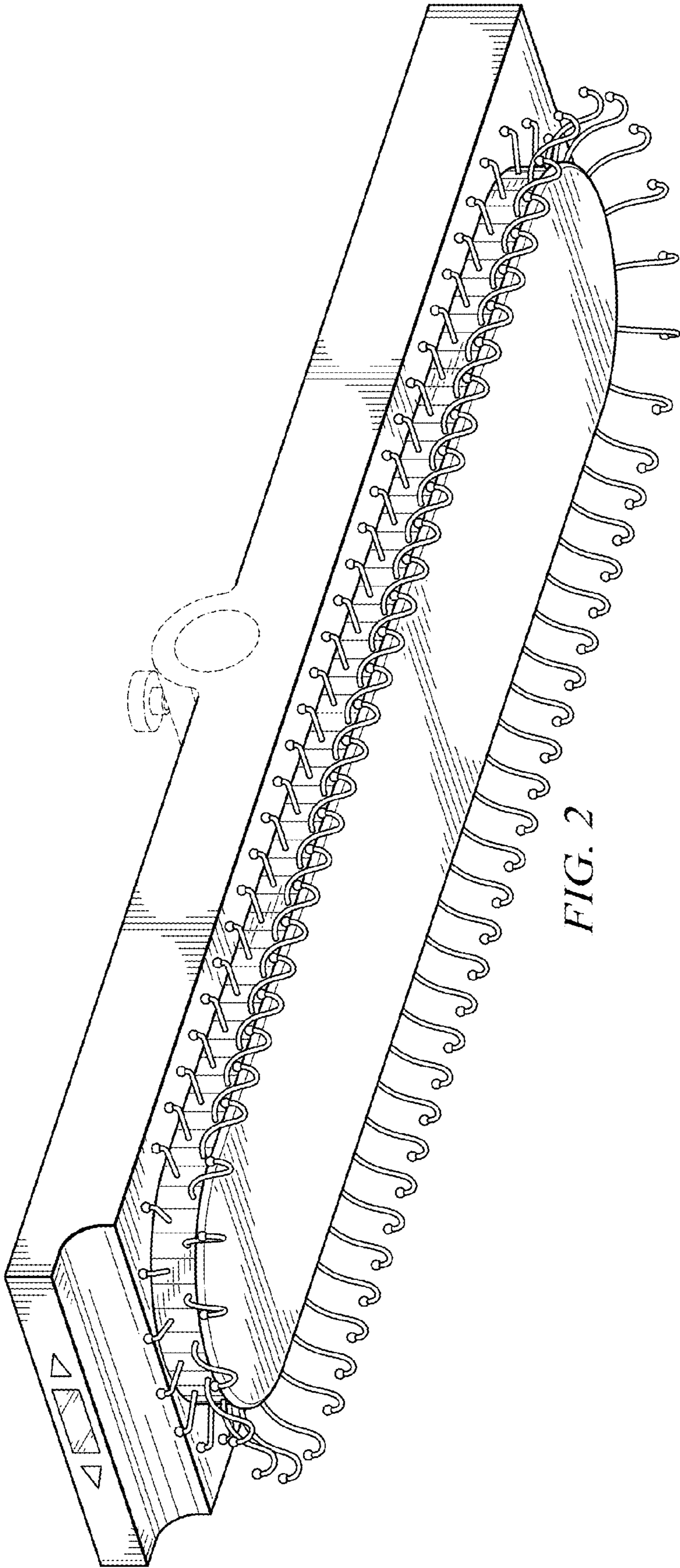


FIG. 2

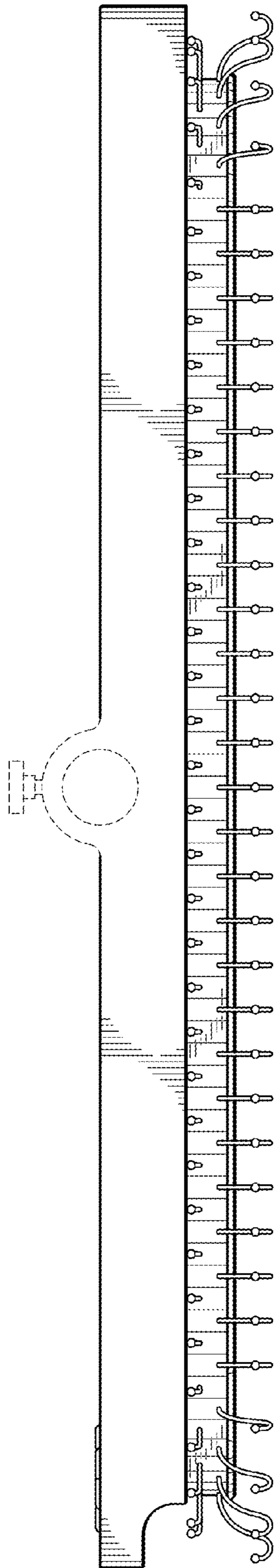


FIG. 3

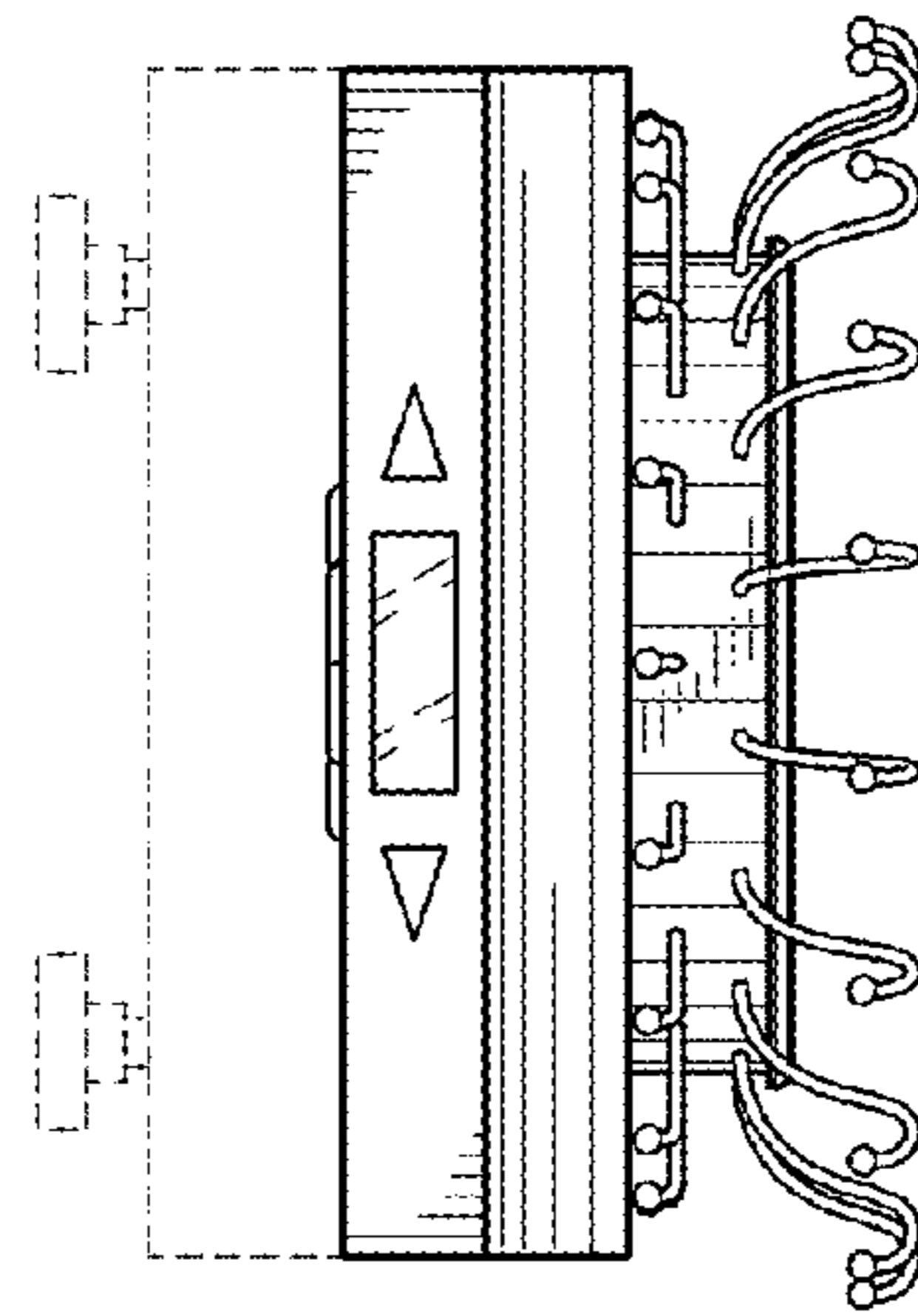


FIG. 5

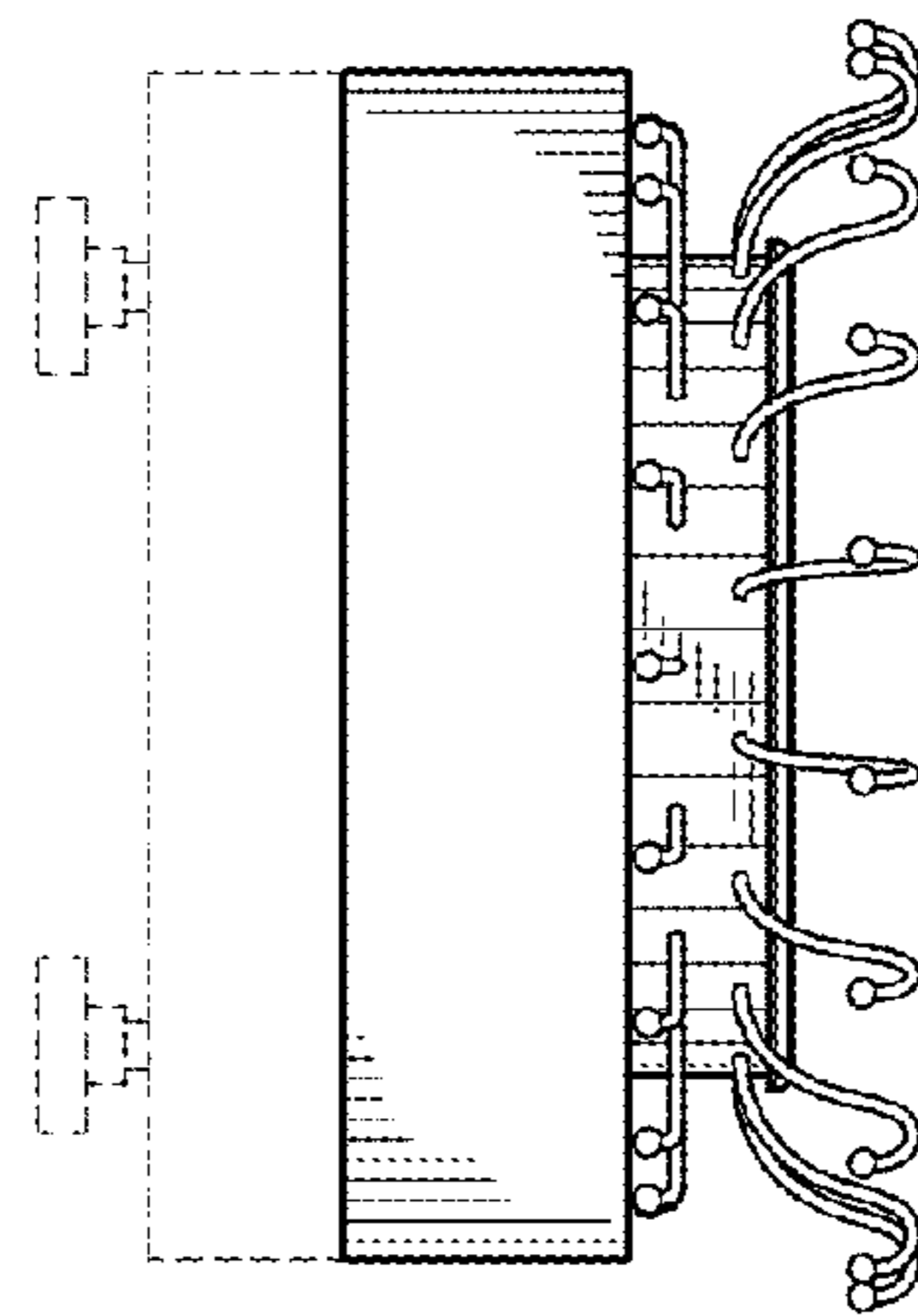


FIG. 4

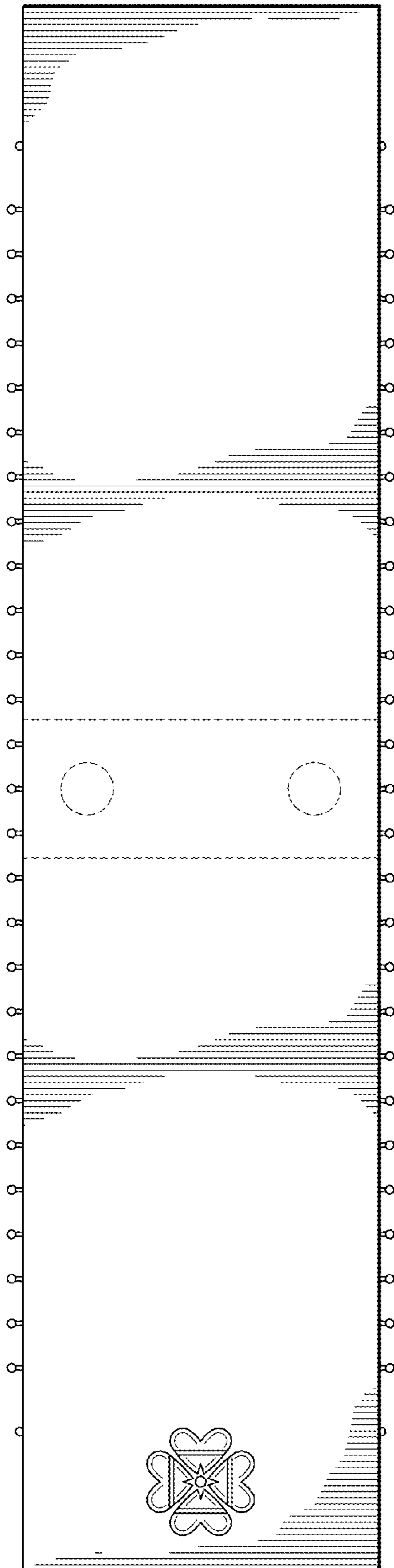


FIG. 6

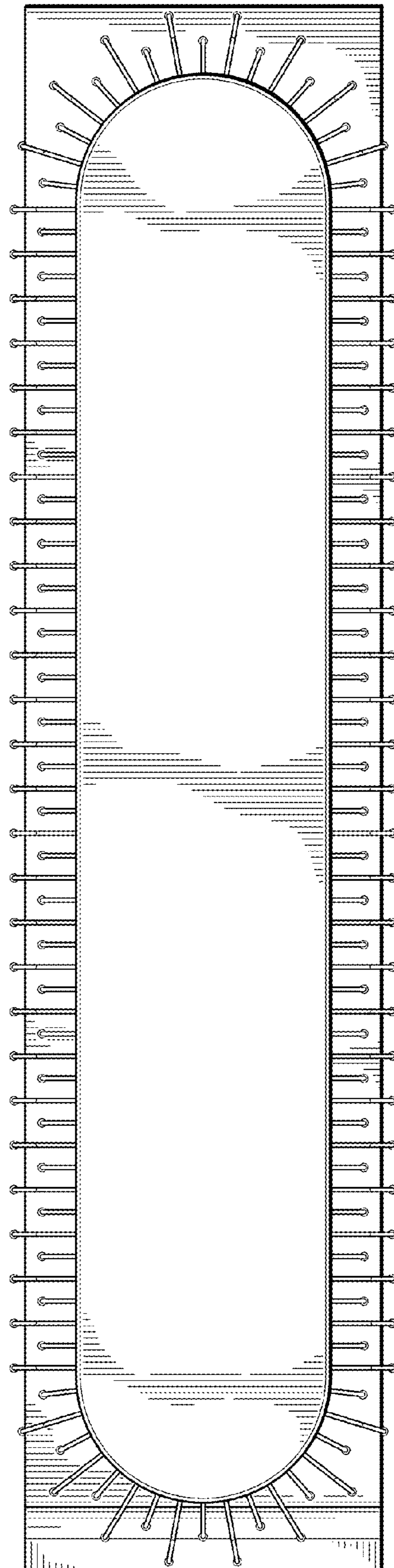


FIG. 7