



US00D711145S

(12) **United States Design Patent**
Christakos

(10) **Patent No.:** **US D711,145 S**
(45) **Date of Patent:** **** Aug. 19, 2014**

- (54) **BUNGEE CHAIR**
- (71) Applicant: **Blu Dot Design & Manufacturing, Inc.**,
Minneapolis, MN (US)
- (72) Inventor: **John N. Christakos**, Minneapolis, MN
(US)
- (73) Assignee: **Blu Dot Design & Manufacturing, Inc.**,
Minneapolis, MN (US)
- (**) Term: **14 Years**
- (21) Appl. No.: **29/464,006**
- (22) Filed: **Aug. 12, 2013**
- (51) **LOC (10) Cl.** **06-01**
- (52) **U.S. Cl.**
USPC **D6/368**
- (58) **Field of Classification Search**
USPC D6/334-336, 344, 348-349, 363,
D6/366-376, 379, 716, 716.1-716.4;
5/102; 119/28.5; 273/396, 407;
297/16.1, 16.2, 31, 34, 45-47, 50, 56,
297/180.14, 271.6, 314, 411.41, 440.11,
297/440.24, 448.1, 451.11, 451.4, 452.12,
297/452.13; 473/197, 431, 446, 456
See application file for complete search history.

3,694,030 A	9/1972	Grosfillex	
D292,048 S	9/1987	Shaffer	
5,338,097 A *	8/1994	Tan	297/451.11
5,695,253 A	12/1997	Jenkins	
D427,797 S *	7/2000	Tseng	D6/376
D429,303 S	8/2000	Peterson, Jr.	
6,332,646 B1	12/2001	Tseng	
6,447,057 B1	9/2002	Chen	
6,554,717 B2 *	4/2003	Cho	473/197
D475,860 S	6/2003	Yang	
6,702,371 B2	3/2004	Zheng	
6,824,207 B1	11/2004	Lin	
D499,258 S *	12/2004	Tseng	D6/368
6,840,573 B1	1/2005	Yao	
6,848,740 B1	2/2005	Reese	
D503,289 S	3/2005	Eyman et al.	

(Continued)

OTHER PUBLICATIONS

Advertisement from Target, "Woven Techniques Hard Goods", Interior Design Capsule, made publicly available by at least Feb. 27, 2012.

Primary Examiner — Ricky Pham

(74) *Attorney, Agent, or Firm* — Fredrikson & Byron, P.A.

(57) **CLAIM**

I claim the ornamental design for a bungee chair, as shown and described.

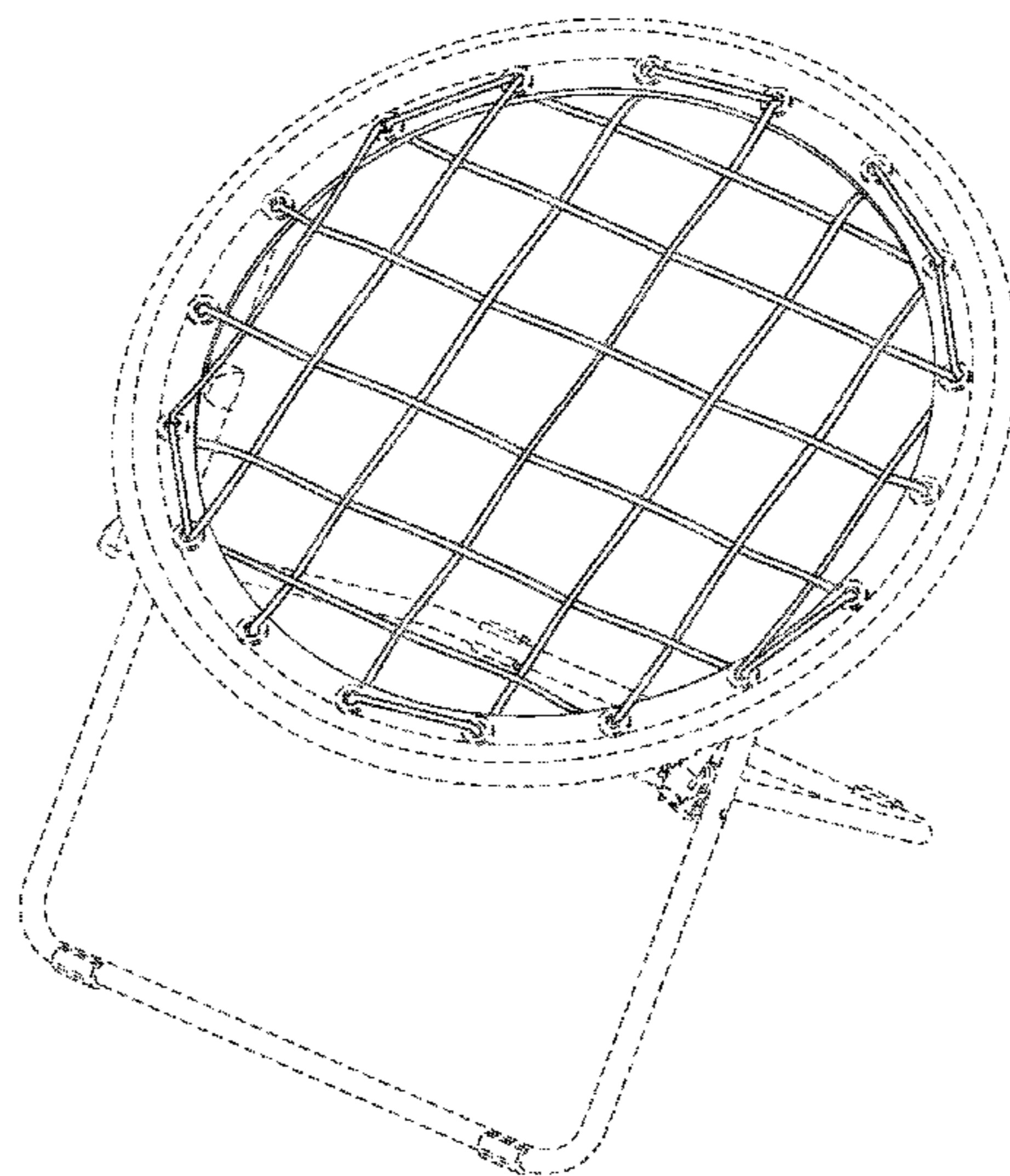
DESCRIPTION

FIG. 1 is a perspective of our new design for a bungee chair; FIG. 2 is front view thereof; FIG. 3 is a rear view thereof; FIG. 4 is a right side view thereof; FIG. 5 is a left side view thereof; FIG. 6 is a top view thereof; and, FIG. 7 is a bottom view thereof. The broken lines shown in the drawings are for illustrative purposes only and form no part of the claimed design.

1 Claim, 7 Drawing Sheets

(56) **References Cited**
U.S. PATENT DOCUMENTS

D168,212 S	11/1952	Cicchelli	
D171,265 S	1/1954	Phillips	
2,684,709 A *	7/1954	Schawinsky	297/411.41
2,723,712 A	11/1955	Yellen	
D179,376 S *	12/1956	Breed	D6/366
D184,202 S	12/1958	Yuen	
2,916,744 A *	12/1959	May et al.	5/102
2,930,430 A	3/1960	Bloom	
3,180,685 A	4/1965	Rogalski et al.	
3,656,808 A	4/1972	Chang	



(56)

References Cited

U.S. PATENT DOCUMENTS

6,877,814 B2 4/2005 Lin
 6,883,862 B1 4/2005 Yao
 D507,121 S * 7/2005 Eyman et al. D6/344
 D507,616 S 7/2005 Simpson
 D507,891 S 8/2005 Eyman et al.
 6,938,951 B1 9/2005 Tseng
 6,939,241 B1 * 9/2005 Chang 473/197
 6,957,852 B1 10/2005 Hsieh
 6,971,712 B1 12/2005 Tseng
 7,000,983 B1 2/2006 Tsai
 D516,330 S * 3/2006 Ruitter D6/370
 7,011,372 B1 3/2006 Hsieh
 7,144,078 B2 12/2006 Hsieh
 7,178,864 B2 2/2007 Hsieh
 7,264,245 B2 * 9/2007 Cho 273/396
 D554,873 S 11/2007 Ma
 D555,378 S 11/2007 Tsai
 7,311,617 B2 * 12/2007 Langhorn 473/446
 D565,310 S * 4/2008 Marin et al. D6/334
 D571,572 S 6/2008 Tseng
 7,401,785 B1 7/2008 Waite
 7,404,601 B2 7/2008 Cheng
 7,540,259 B2 * 6/2009 Pape et al. 119/28.5
 D608,104 S * 1/2010 Vonnegut D6/372
 7,648,421 B2 1/2010 Yoon
 7,878,585 B2 * 2/2011 Salisbury 297/180.14

D637,828 S * 5/2011 Horn et al. D6/344
 7,938,489 B2 * 5/2011 Nazari 297/314
 7,967,374 B2 6/2011 Akkad
 D649,800 S 12/2011 Lievore et al.
 D656,326 S 3/2012 Soewondo
 8,282,509 B1 10/2012 Michaelson et al.
 D677,920 S 3/2013 Christakos
 D681,970 S 5/2013 Christakos
 D683,156 S * 5/2013 Christakos D6/368
 D688,057 S * 8/2013 Christakos D6/368
 D691,384 S * 10/2013 Akkad D6/368
 D701,703 S * 4/2014 Aiello D6/363
 2001/0009871 A1 7/2001 Cho
 2002/0183128 A1 12/2002 Cho
 2003/0008721 A1 1/2003 Macaluso
 2003/0060309 A1 * 3/2003 Smith, IV 473/431
 2003/0078111 A1 4/2003 Wenzler
 2003/0168900 A1 * 9/2003 Poli 297/452.13
 2003/0234561 A1 12/2003 Zheng
 2004/0245810 A1 12/2004 Tseng
 2005/0088018 A1 4/2005 Yao
 2006/0232108 A1 10/2006 Hsieh
 2006/0249991 A1 11/2006 Hsieh
 2007/0052178 A1 3/2007 Cottrell
 2007/0063550 A1 3/2007 Lin
 2007/0187897 A1 * 8/2007 Dilling 273/407
 2007/0187998 A1 8/2007 Chen
 2010/0164256 A1 7/2010 Salisbury
 2011/0043003 A1 * 2/2011 Akkad 297/16.1

* cited by examiner

Fig. 1

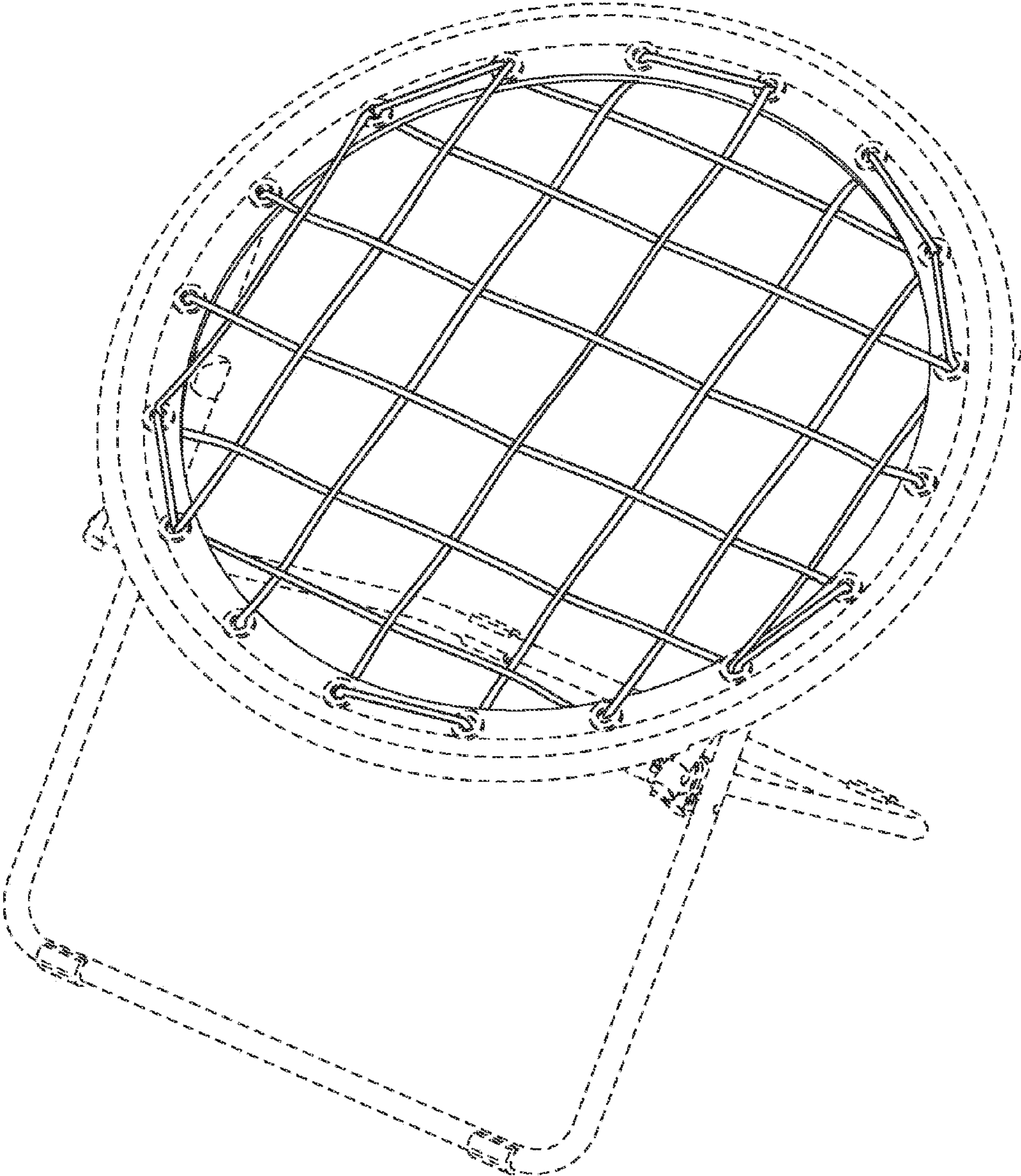


Fig. 2

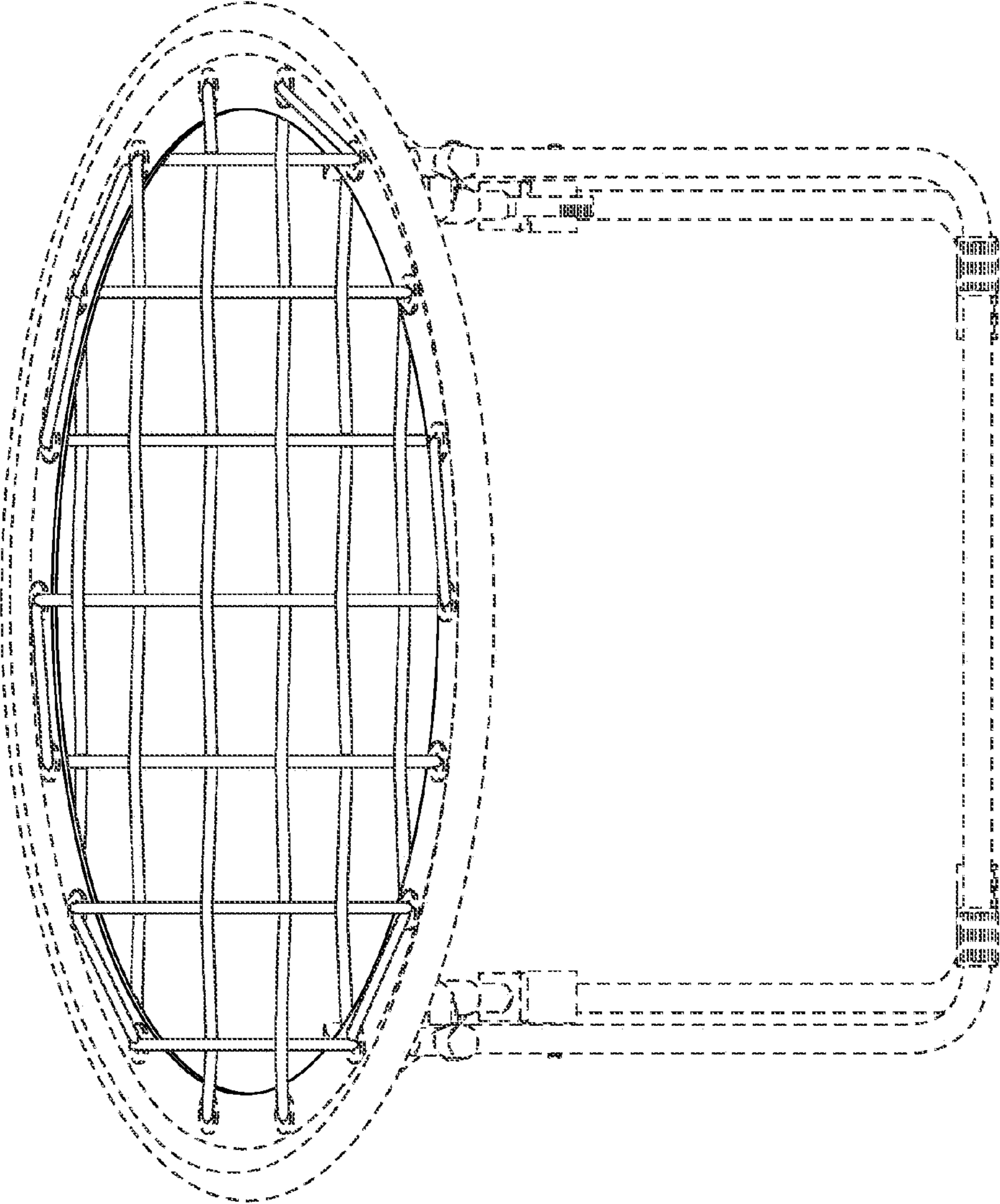


Fig. 3

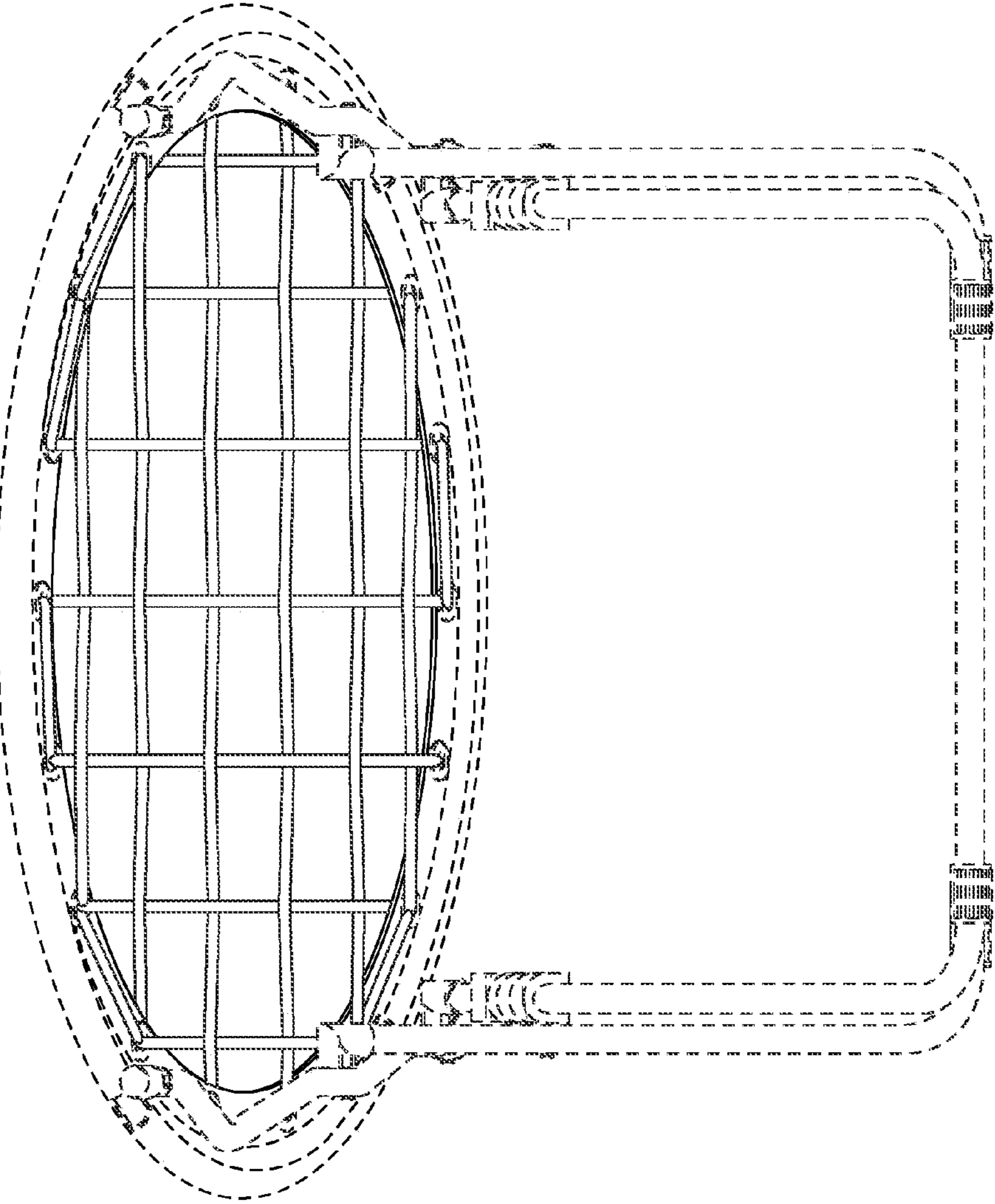


Fig. 4

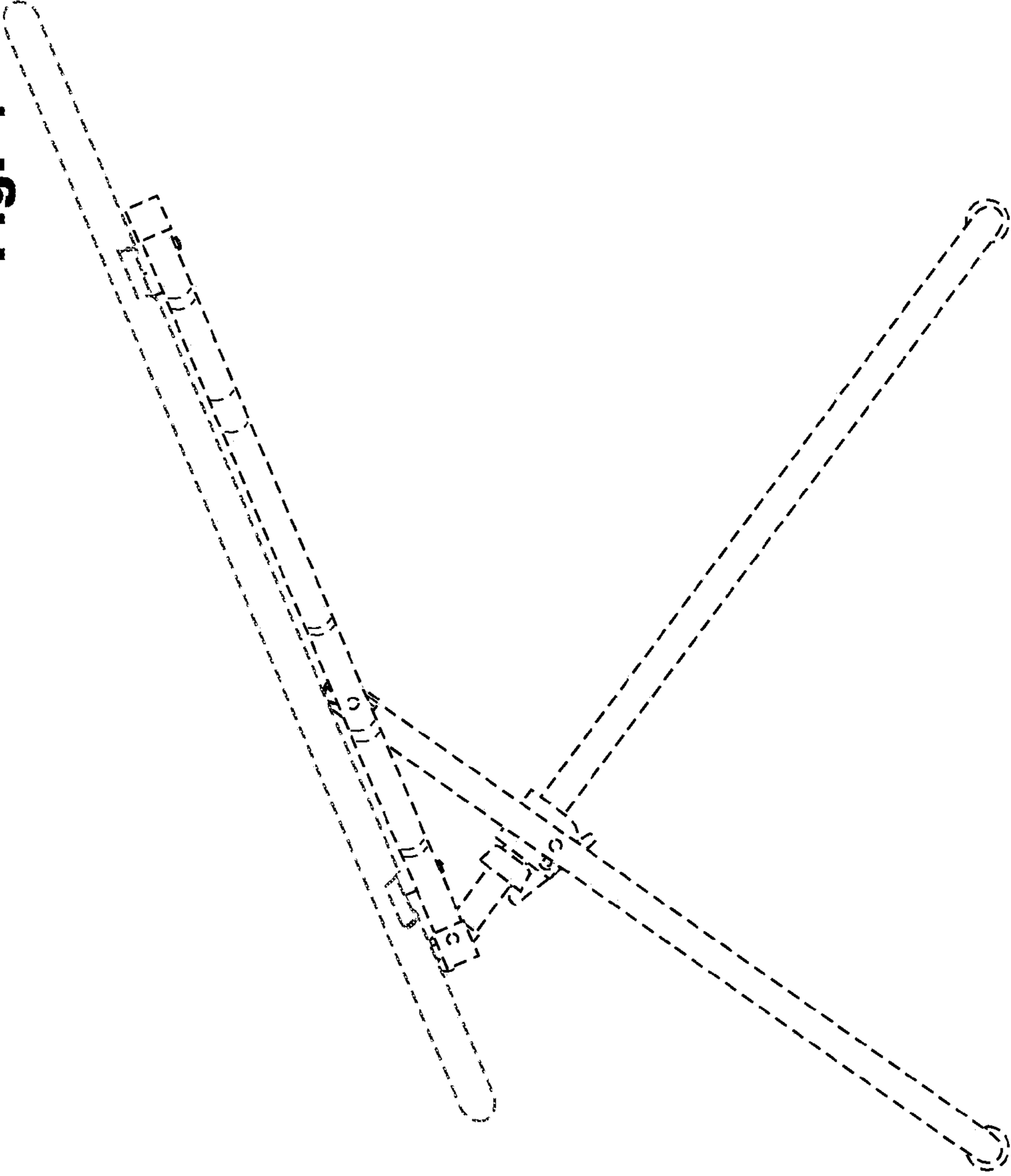


Fig. 5

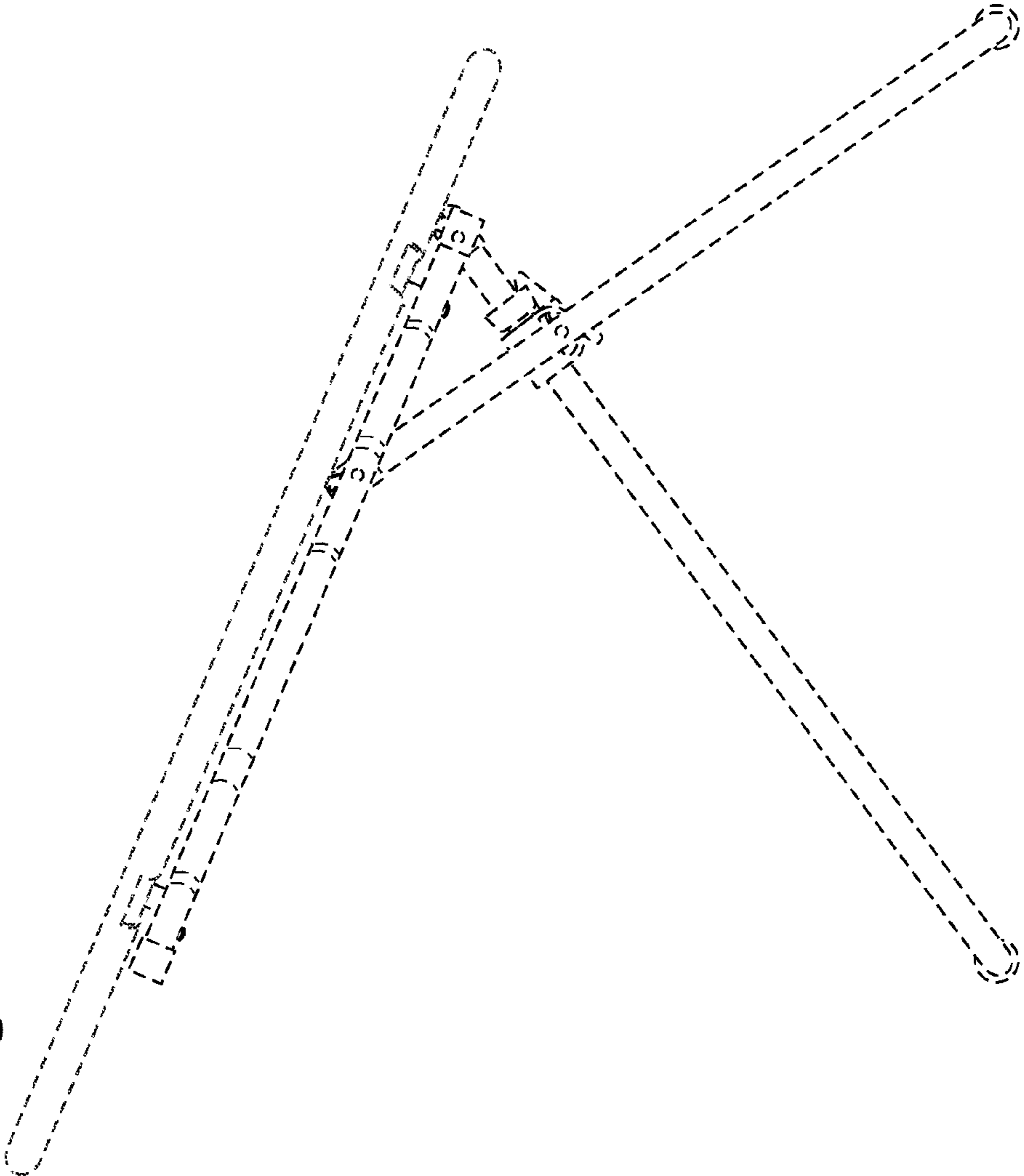
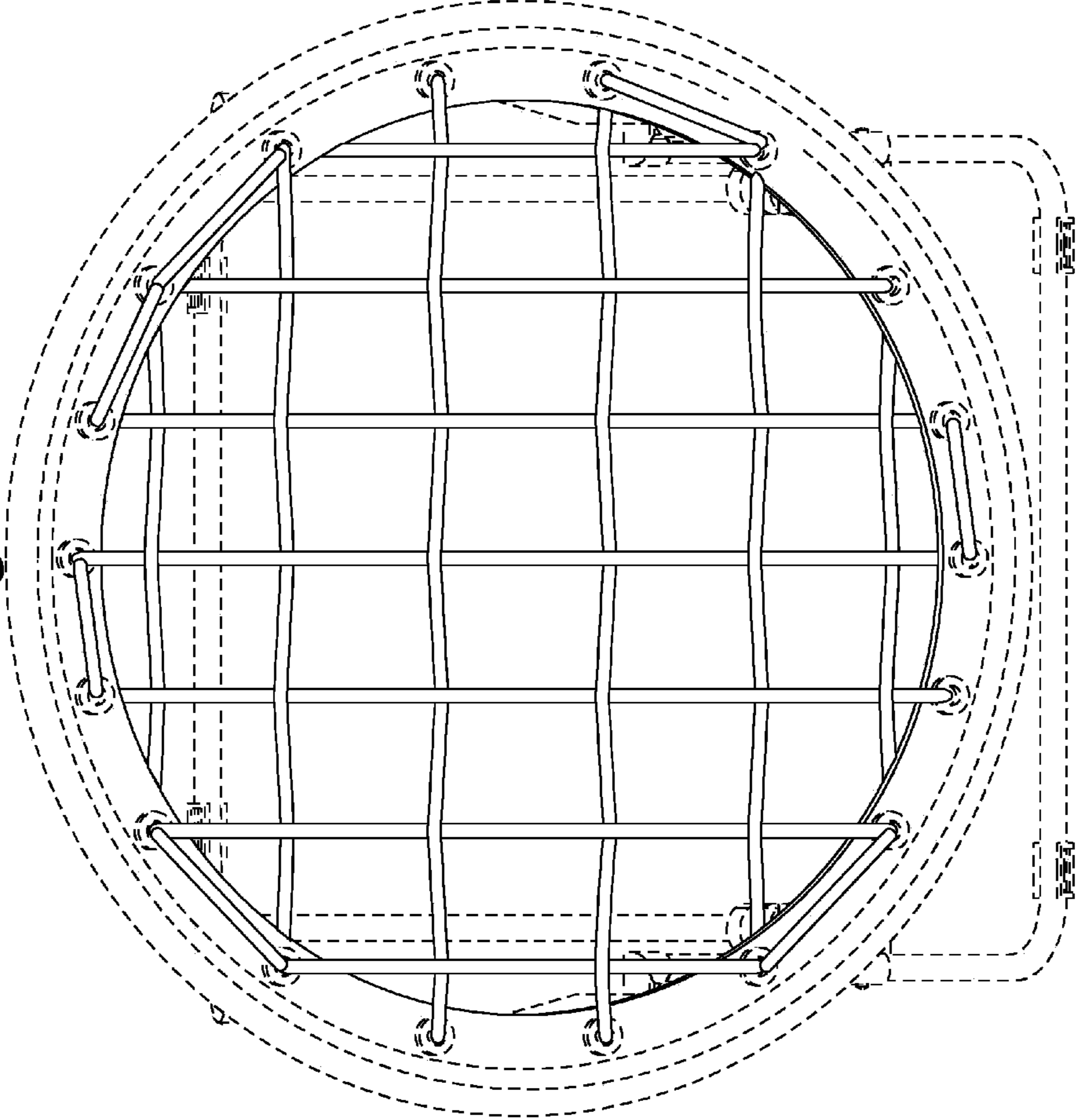


Fig. 6



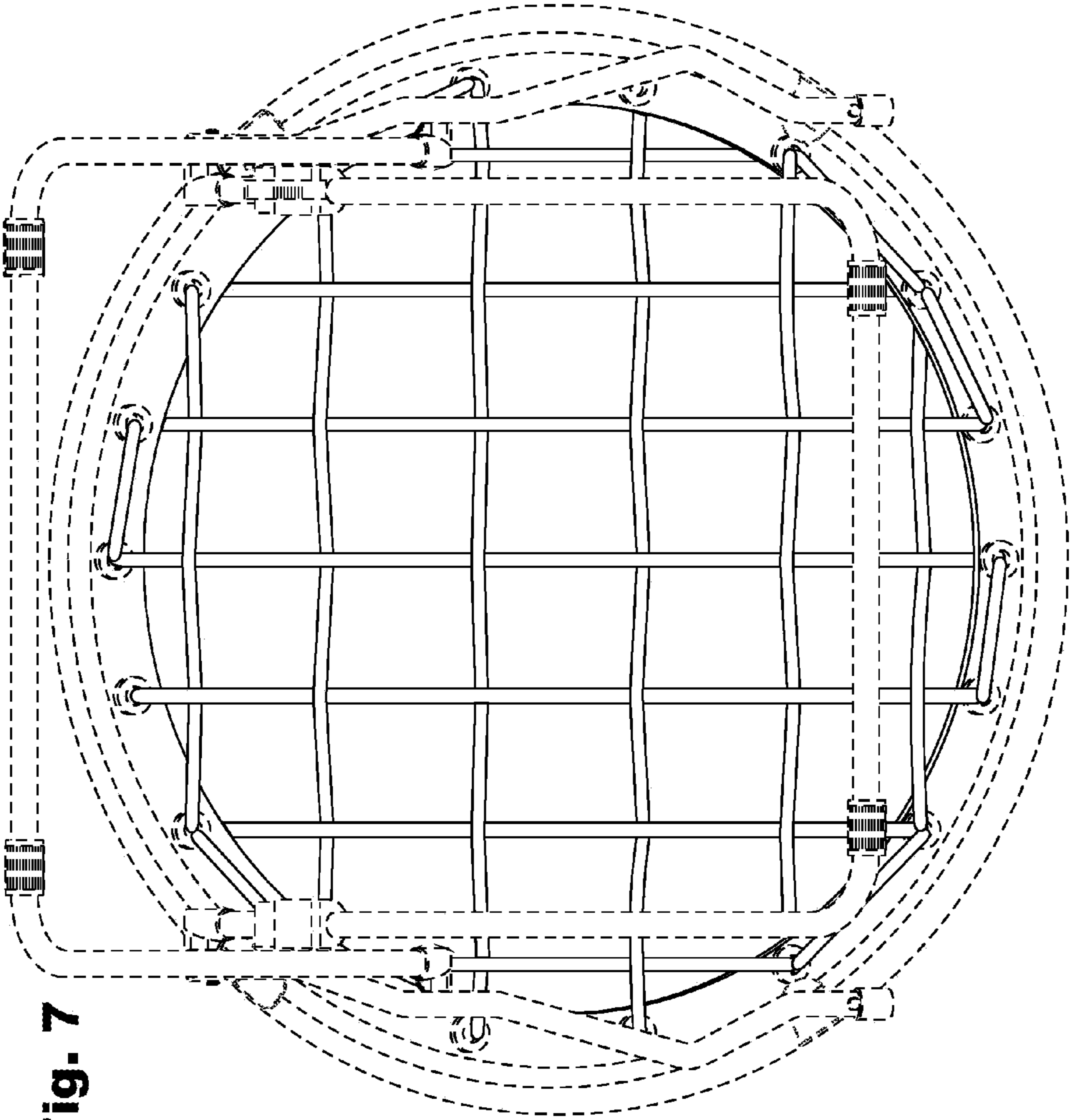


Fig. 7