

US00D711139S

(12) **United States Design Patent**  
**Christakos et al.**

(10) **Patent No.:** **US D711,139 S**  
(45) **Date of Patent:** **\*\* Aug. 19, 2014**

- (54) **BUNGEE CHAIR**
- (71) Applicant: **Blu Dot Design & Manufacturing, Inc.**,  
Minneapolis, MN (US)
- (72) Inventors: **John N. Christakos**, Minneapolis, MN  
(US); **Warren Young**, Roseville, MN  
(US)
- (73) Assignee: **Blu Dot Design & Manufacturing, Inc.**,  
Minneapolis, MN (US)
- (\*\*) Term: **14 Years**
- (21) Appl. No.: **29/457,574**

3,656,808 A	4/1972	Chang	
3,694,030 A	9/1972	Grosfillex	
D292,048 S	9/1987	Shaffer	
5,338,097 A *	8/1994	Tan	297/451.11
5,695,253 A	12/1997	Jenkins	
D427,797 S *	7/2000	Tseng	D6/376
D429,303 S	8/2000	Peterson, Jr.	
6,332,646 B1	12/2001	Tseng	
6,447,057 B1	9/2002	Chen	
6,554,717 B2 *	4/2003	Cho	473/197
D475,860 S	6/2003	Yang	
6,702,371 B2	3/2004	Zheng	
6,824,207 B1	11/2004	Lin	
D499,258 S *	12/2004	Tseng	D6/368
6,840,573 B1	1/2005	Yao	
6,848,740 B1	2/2005	Reese	

(Continued)

- (22) Filed: **Jun. 11, 2013**
- (51) **LOC (10) Cl.** ..... **06-01**
- (52) **U.S. Cl.**  
USPC ..... **D6/368**
- (58) **Field of Classification Search**  
USPC ..... D6/334-336, 344, 348-349, 363,  
D6/366-376, 379, 716, 716.1-716.4;  
5/102; 119/28.5; 273/396, 407;  
297/16.1, 16.2, 31, 34, 45-47, 50, 56,  
297/180.14, 271.6, 314, 411.41, 440.11,  
297/440.24, 448.1, 451.11, 451.4, 452.12,  
297/452.13; 473/197, 431, 446, 456  
See application file for complete search history.

**OTHER PUBLICATIONS**

Advertisement from Target, "Woven Techniques Hard Goods", Interior Design Capsule, made publicly available by at least Feb. 27, 2012.

*Primary Examiner* — Ricky Pham  
(74) *Attorney, Agent, or Firm* — Fredrikson & Byron, P.A.

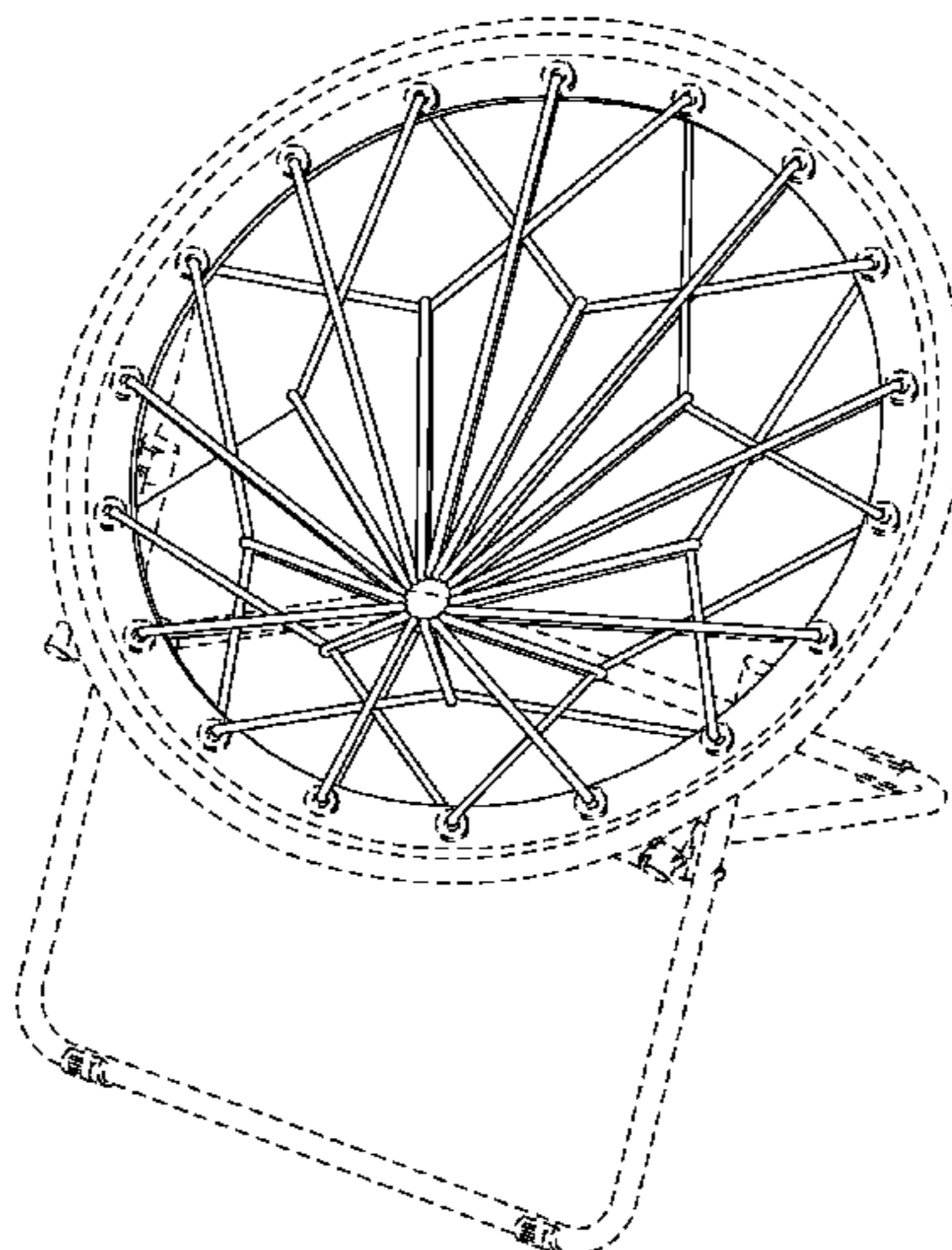
(57) **CLAIM**  
We claim the ornamental design for a bungee chair, as shown and described.

**DESCRIPTION**

FIG. 1 is a perspective of our new design for a bungee chair; FIG. 2 is front view thereof; FIG. 3 is a rear view thereof; FIG. 4 is a right side view thereof; FIG. 5 is a left side view thereof; FIG. 6 is a top view thereof; and, FIG. 7 is a bottom view thereof. The broken lines shown in the drawings are for illustrative purposes only and form no part of the claimed design.

**1 Claim, 7 Drawing Sheets**

- (56) **References Cited**  
U.S. PATENT DOCUMENTS  
D168,212 S 11/1952 Cicchelli  
D171,265 S 1/1954 Phillips  
2,684,709 A \* 7/1954 Schawinsky ..... 297/411.41  
2,723,712 A 11/1955 Yellen  
D179,376 S \* 12/1956 Breed ..... D6/366  
D184,202 S 12/1958 Yuen  
2,916,744 A \* 12/1959 May et al. .... 5/102  
2,930,430 A 3/1960 Bloom  
3,180,685 A 4/1965 Rogalski et al.



(56)

References Cited

U.S. PATENT DOCUMENTS

D503,289 S	3/2005	Eyman et al.	
6,877,814 B2	4/2005	Lin	
6,883,862 B1	4/2005	Yao	
D507,121 S *	7/2005	Eyman et al. ....	D6/344
D507,616 S	7/2005	Simpson	
D507,891 S	8/2005	Eyman et al.	
6,938,951 B1	9/2005	Tseng	
6,939,241 B1 *	9/2005	Chang .....	473/197
6,957,852 B1	10/2005	Hsieh	
6,971,712 B1	12/2005	Tseng	
7,000,983 B1	2/2006	Tsai	
D516,330 S *	3/2006	Ruiter .....	D6/370
7,011,372 B1	3/2006	Hsieh	
7,144,078 B2	12/2006	Hsieh	
7,178,864 B2	2/2007	Hsieh	
7,264,245 B2 *	9/2007	Cho .....	273/396
D554,873 S	11/2007	Ma et al.	
D555,378 S	11/2007	Tsai	
7,311,617 B2 *	12/2007	Langhorn .....	473/446
D565,310 S *	4/2008	Marin et al. ....	D6/334
D571,572 S	6/2008	Tseng	
7,401,785 B1	7/2008	Waite	
7,404,601 B2	7/2008	Chen	
7,540,259 B2 *	6/2009	Pape et al. ....	119/28.5
D608,104 S *	1/2010	Vonnegut .....	D6/372
7,648,421 B2	1/2010	Yoon	
7,878,585 B2 *	2/2011	Salisbury .....	297/180.14
D637,828 S *	5/2011	Horn et al. ....	D6/344
7,938,489 B2 *	5/2011	Nazari .....	297/314
7,967,374 B2	6/2011	Akkad	
D649,800 S	12/2011	Lievore et al.	
D656,326 S	3/2012	Soewondo	
8,282,509 B1	10/2012	Michaelson et al.	
D677,920 S	3/2013	Christakos	
D681,970 S	5/2013	Christakos	
D683,156 S *	5/2013	Christakos .....	D6/368
D688,057 S *	8/2013	Christakos .....	D6/368
D691,384 S *	10/2013	Akkad .....	D6/368
D701,703 S *	4/2014	Aiello .....	D6/363
2001/0009871 A1	7/2001	Cho	
2002/0183128 A1	12/2002	Cho	
2003/0008721 A1	1/2003	Macaluso	
2003/0060309 A1 *	3/2003	Smith, IV .....	473/431
2003/0078111 A1	4/2003	Wenzler	
2003/0168900 A1 *	9/2003	Poli .....	297/452.13
2003/0234561 A1	12/2003	Zheng	
2004/0245810 A1	12/2004	Tseng	
2005/0088018 A1	4/2005	Yao	
2006/0232108 A1	10/2006	Hsieh	
2006/0249991 A1	11/2006	Hsieh	
2007/0052178 A1	3/2007	Cottrell	
2007/0063550 A1	3/2007	Lin	
2007/0187897 A1 *	8/2007	Dilling .....	273/407
2007/0187998 A1	8/2007	Chen	
2010/0164256 A1	7/2010	Salisbury	
2011/0043003 A1 *	2/2011	Akkad .....	297/16.1

\* cited by examiner

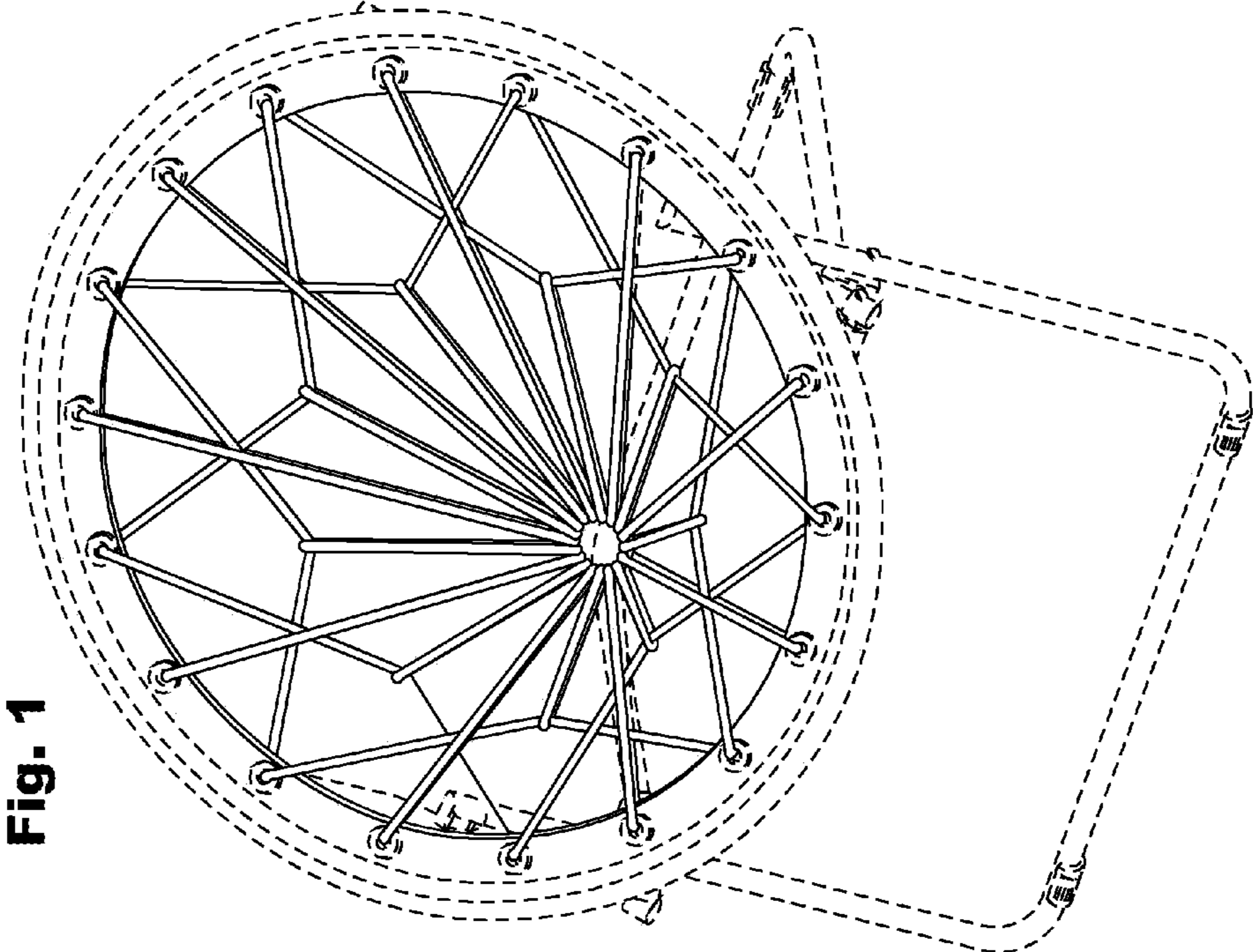


Fig. 1

Fig. 2

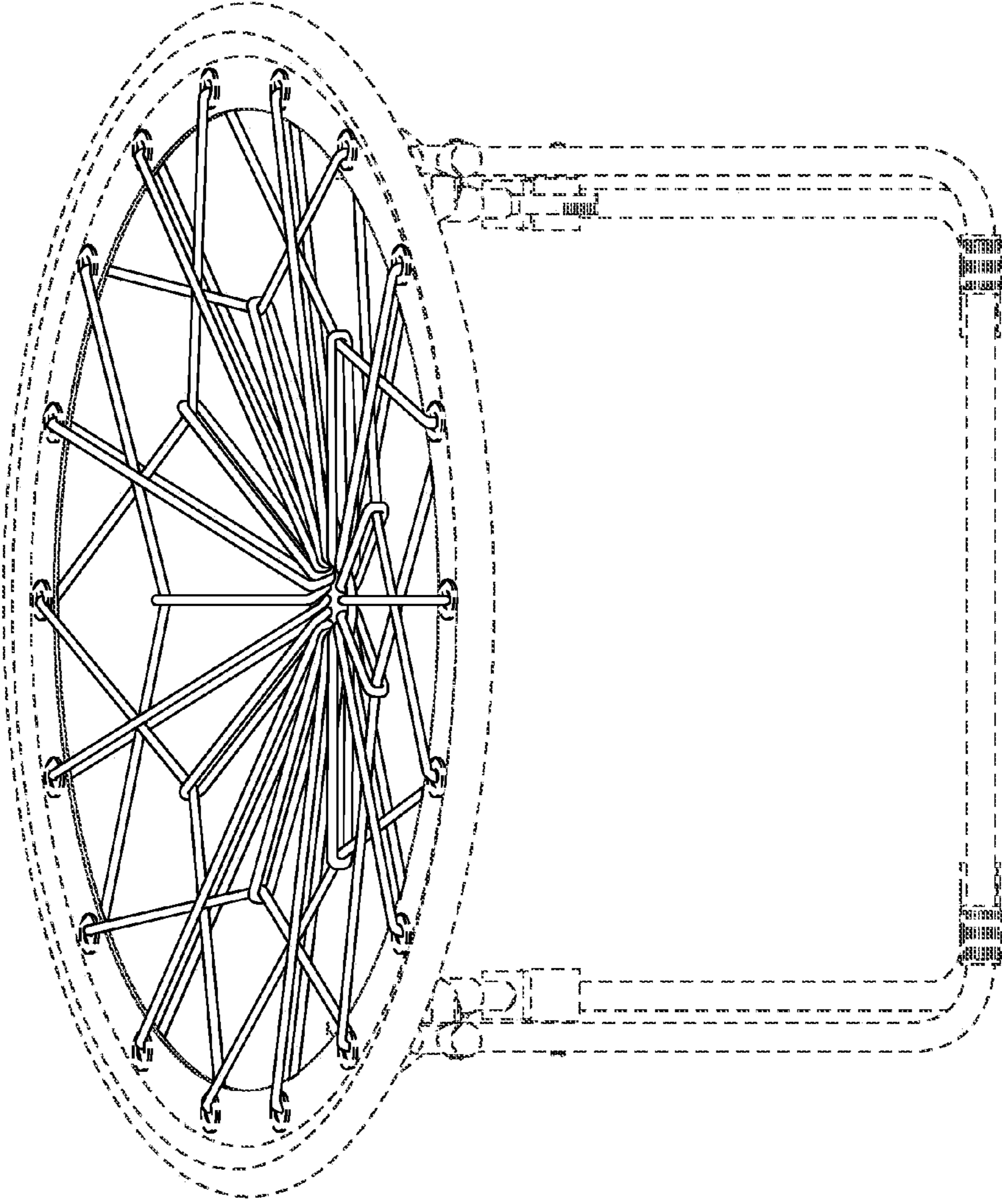
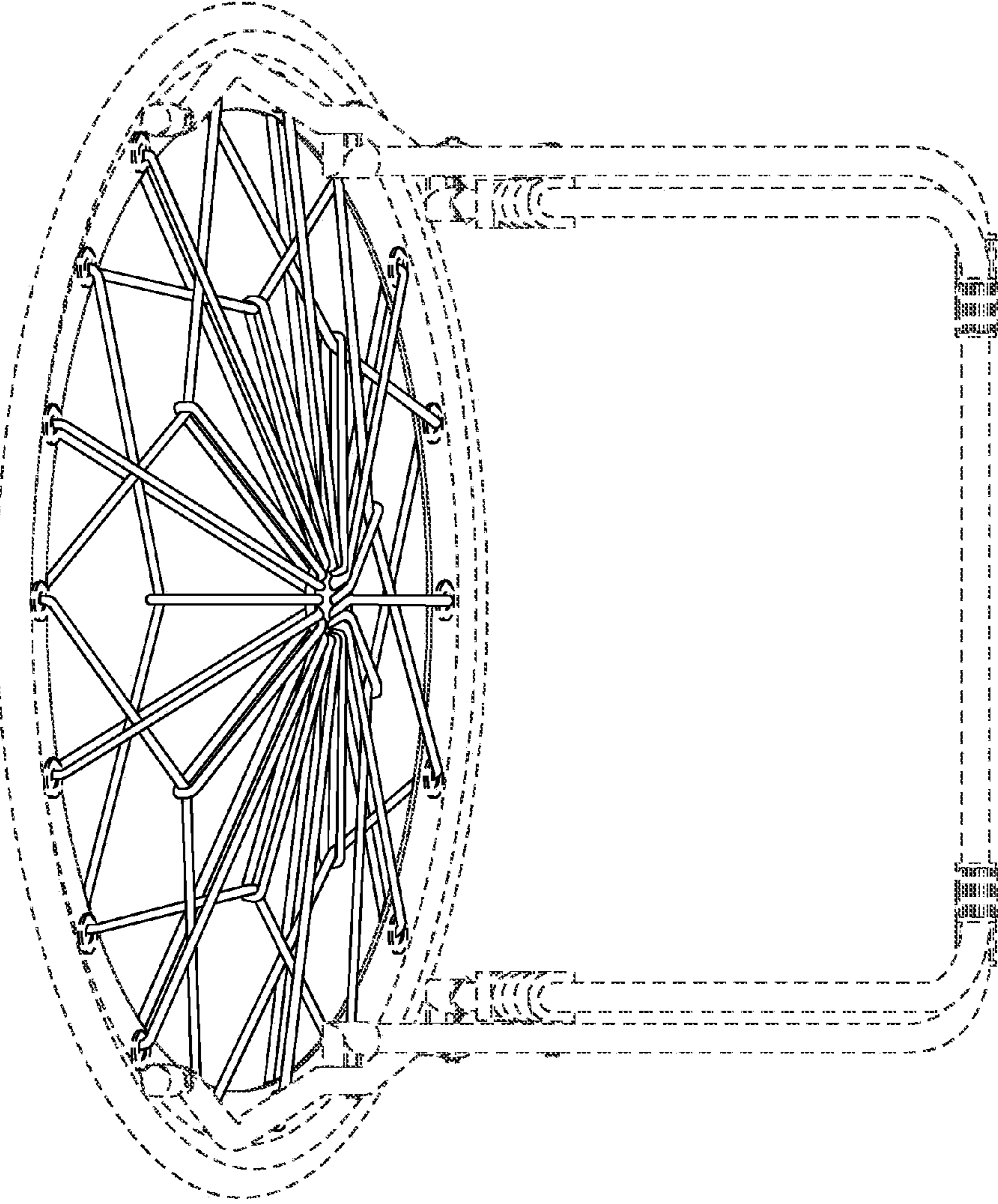


Fig. 3



**Fig. 4**

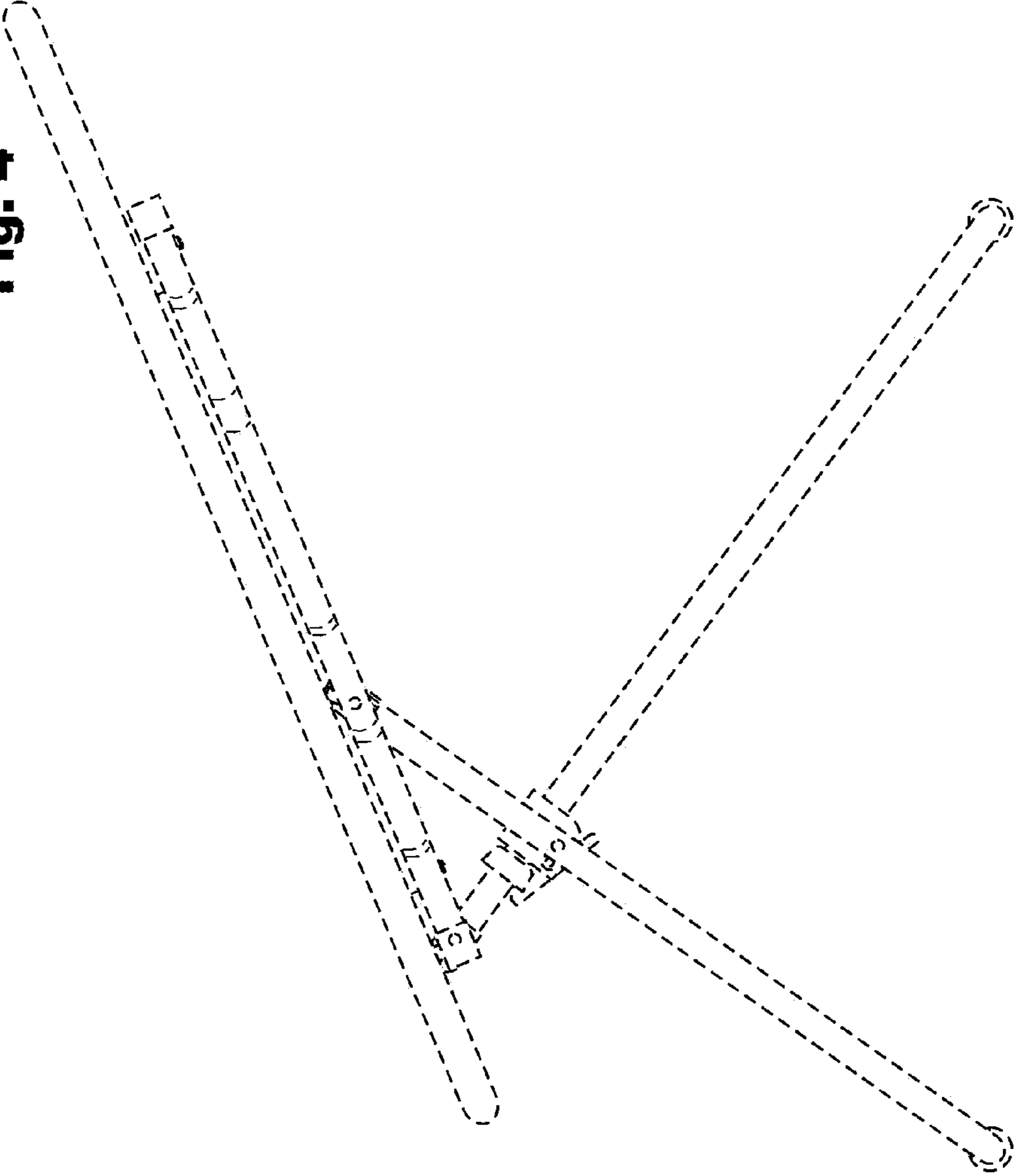


Fig. 5

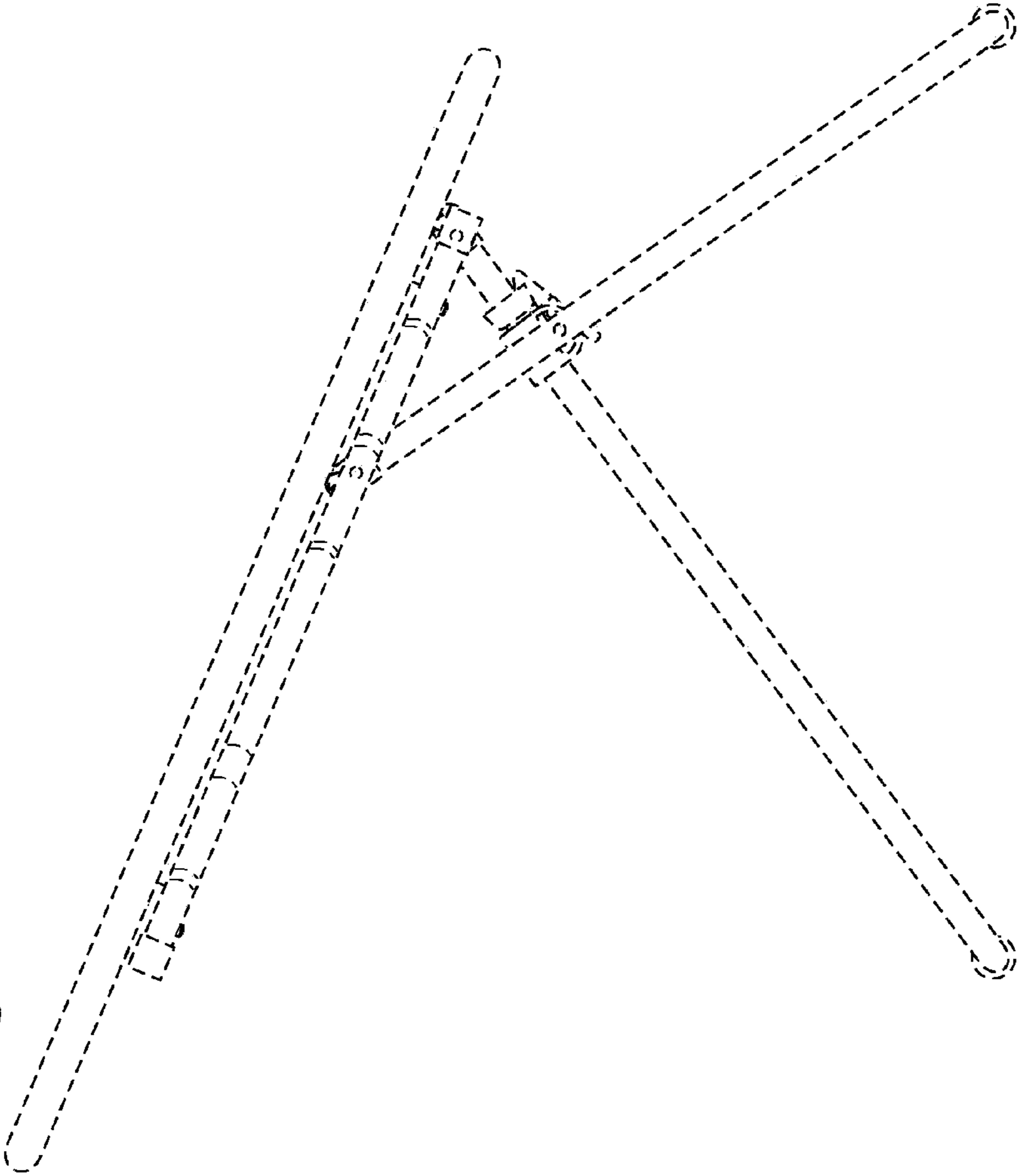
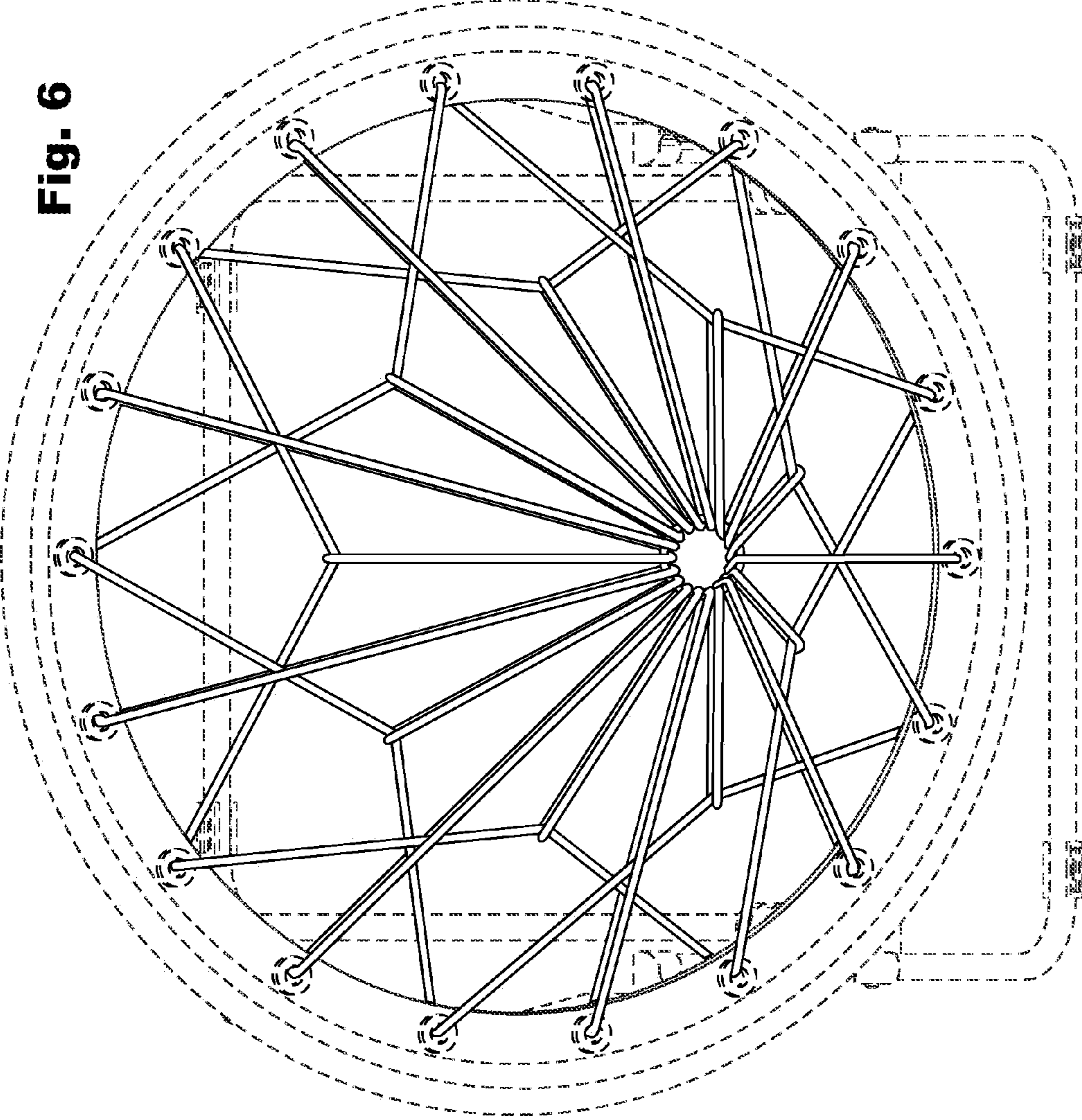


Fig. 6





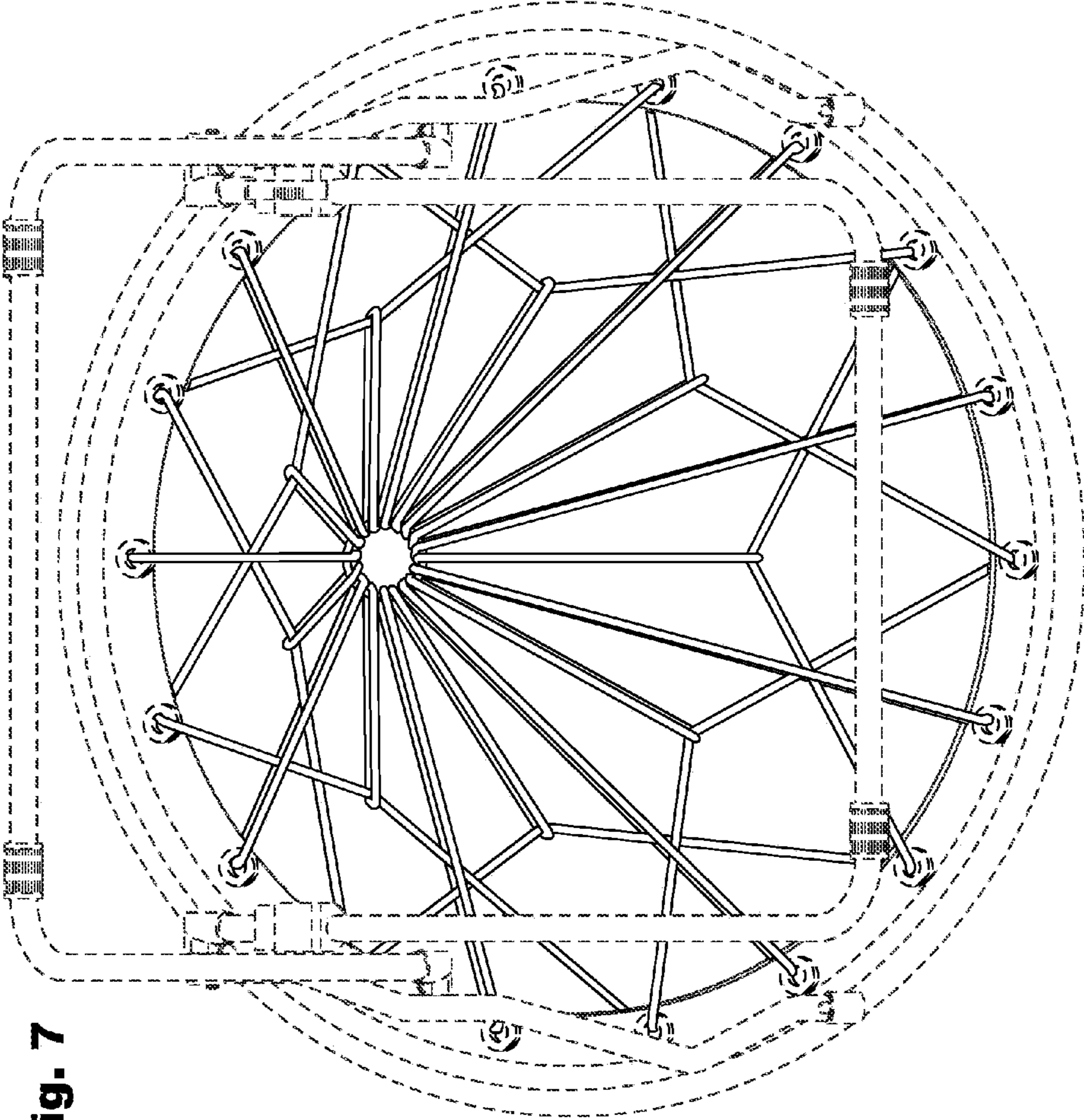


Fig. 7