

US00D711137S

(12) **United States Design Patent**  
**Christakos et al.**

(10) **Patent No.:** **US D711,137 S**  
(45) **Date of Patent:** **\*\* Aug. 19, 2014**

(54) **BUNGEE CHAIR**  
(71) Applicant: **Blu Dot Design & Manufacturing, Inc.**,  
Minneapolis, MN (US)  
(72) Inventors: **John N. Christakos**, Minneapolis, MN  
(US); **Scott Smrstick**, Minneapolis, MN  
(US)  
(73) Assignee: **Blu Dot Design & Manufacturing, Inc.**,  
Minneapolis, MN (US)  
(\*\*) Term: **14 Years**

3,656,808 A 4/1972 Chang  
3,694,030 A 9/1972 Grosfillex  
D292,048 S 9/1987 Shaffer  
5,338,097 A \* 8/1994 Tan ..... 297/451.11  
5,695,253 A 12/1997 Jenkins  
D427,797 S \* 7/2000 Tseng ..... D6/376  
D429,303 S 8/2000 Peterson, Jr.  
6,332,646 B1 12/2001 Tseng  
6,447,057 B1 9/2002 Chen  
6,554,717 B2 \* 4/2003 Cho ..... 473/197  
D475,860 S 6/2003 Yang  
6,702,371 B2 3/2004 Zheng  
6,824,208 B2 11/2004 Zheng  
D499,258 S \* 12/2004 Tseng ..... D6/368  
6,840,573 B1 1/2005 Yao  
6,848,740 B1 2/2005 Reese

(21) Appl. No.: **29/457,568**

(Continued)

(22) Filed: **Jun. 11, 2013**

**OTHER PUBLICATIONS**

(51) **LOC (10) Cl.** ..... **06-01**

Advertisement from Target, "Woven Techniques Hard Goods", Interior Design Capsule, made publicly available by at least Feb. 27, 2012.

(52) **U.S. Cl.**  
USPC ..... **D6/368**

(58) **Field of Classification Search**  
USPC ..... D6/334-336, 344, 348-349, 363,  
D6/366-376, 379, 716, 716.1-716.4;  
5/102; 119/28.5; 273/396, 407;  
297/16.1, 16.2, 31, 34, 45-47, 50, 56,  
297/180.14, 271.6, 314, 411.41, 440.11,  
297/440.24, 448.1, 451.11, 451.4, 452.12,  
297/452.13; 473/197, 431, 446, 456  
See application file for complete search history.

*Primary Examiner* — Ricky Pham  
(74) *Attorney, Agent, or Firm* — Fredrikson & Byron, P.A.

(57) **CLAIM**  
We claim the ornamental design for a bungee chair, as shown and described.

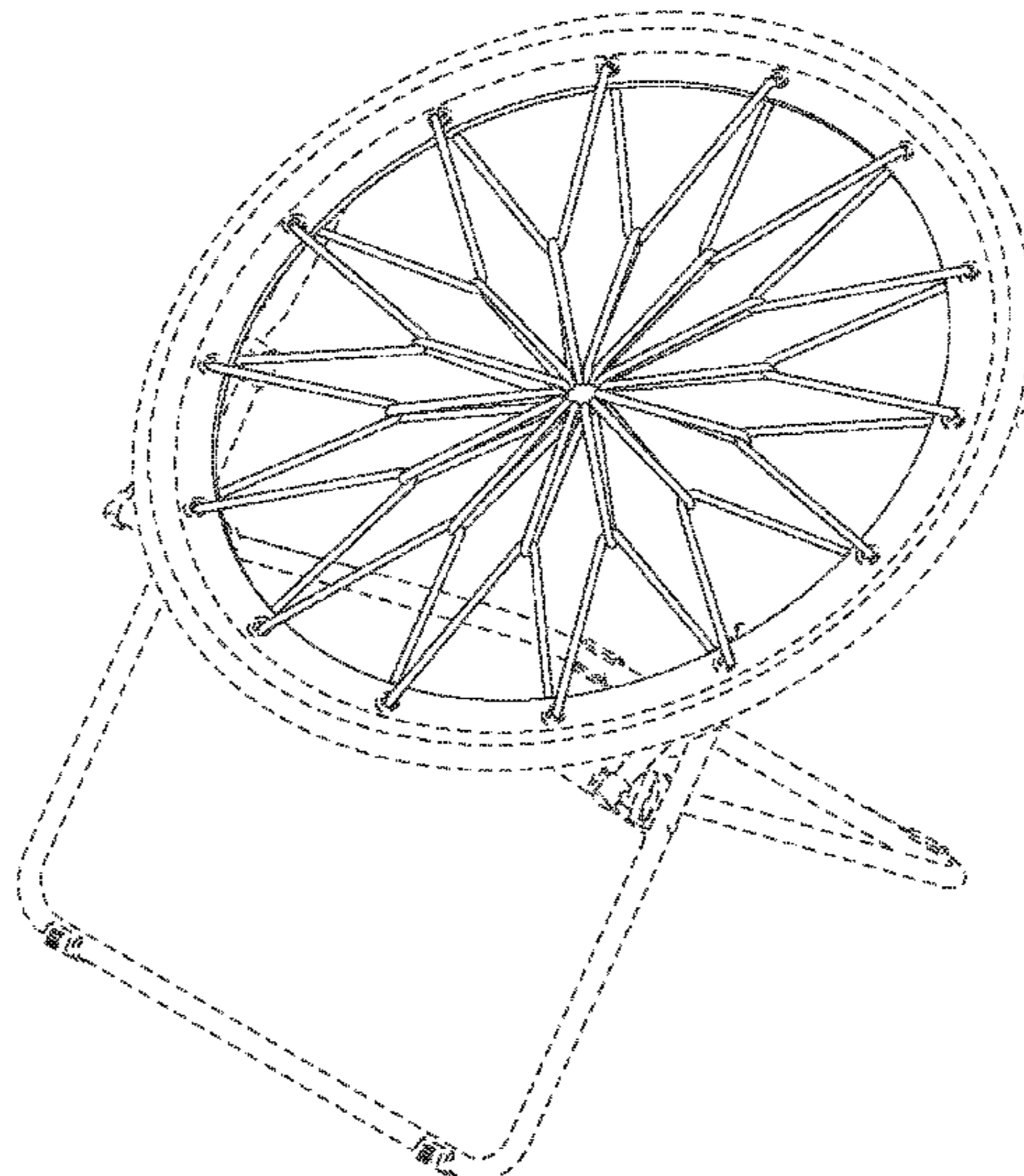
(56) **References Cited**  
U.S. PATENT DOCUMENTS

**DESCRIPTION**

D168,212 S 11/1952 Cicchelli  
D171,265 S 1/1954 Phillips  
2,684,709 A \* 7/1954 Schawinsky ..... 297/411.41  
2,723,712 A 11/1955 Yellen  
D179,376 S \* 12/1956 Breed ..... D6/366  
D184,202 S 12/1958 Yuen  
2,916,744 A \* 12/1959 May et al. .... 5/102  
2,930,430 A 3/1960 Bloom  
3,180,685 A 4/1965 Rogalski et al.

FIG. 1 is a perspective of our new design for a bungee chair;  
FIG. 2 is front view thereof;  
FIG. 3 is a rear view thereof;  
FIG. 4 is a right side view thereof;  
FIG. 5 is a left side view thereof;  
FIG. 6 is a top view thereof; and,  
FIG. 7 is a bottom view thereof.  
The broken lines shown in the drawings are for illustrative purposes only and form no part of the claimed design.

**1 Claim, 7 Drawing Sheets**



(56)

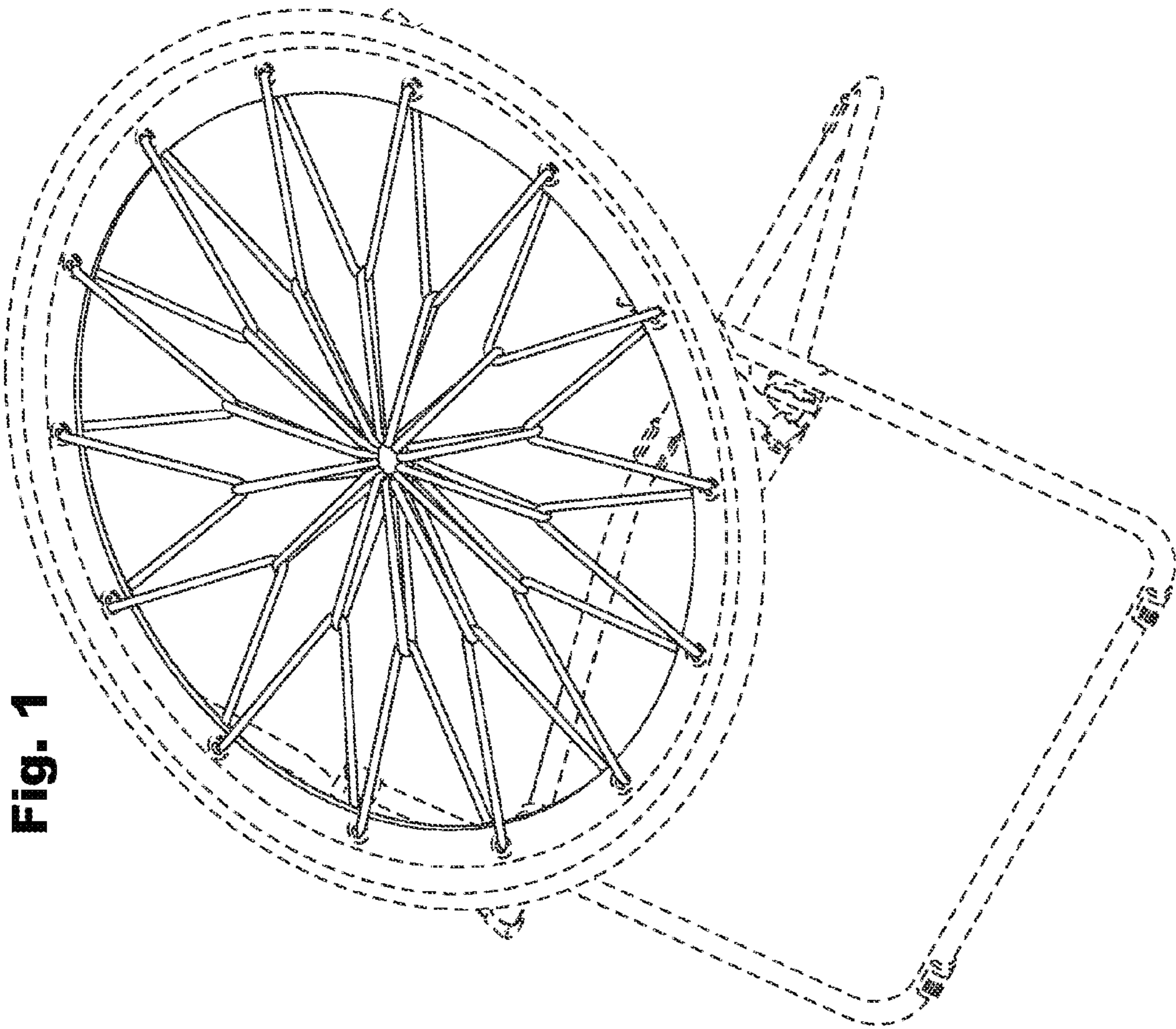
References Cited

U.S. PATENT DOCUMENTS

D503,289 S 3/2005 Eyman et al.  
 6,877,814 B2 4/2005 Lin  
 6,883,862 B1 4/2005 Yao  
 D507,121 S \* 7/2005 Eyman et al. .... D6/344  
 D507,616 S 7/2005 Simpson  
 D507,891 S 8/2005 Eyman et al.  
 6,938,951 B1 9/2005 Tseng  
 6,939,241 B1 \* 9/2005 Chang ..... 473/197  
 6,957,852 B1 10/2005 Hsieh  
 6,971,712 B1 12/2005 Tseng  
 7,000,983 B1 2/2006 Tsai  
 D516,330 S \* 3/2006 Ruitter ..... D6/370  
 7,011,372 B1 3/2006 Hsieh  
 7,144,078 B2 12/2006 Hsieh  
 7,178,864 B2 2/2007 Hsieh  
 7,264,245 B2 \* 9/2007 Cho ..... 273/396  
 D554,873 S 11/2007 Ma  
 D555,378 S 11/2007 Tsai  
 7,311,617 B2 \* 12/2007 Langhorn ..... 473/446  
 D565,310 S \* 4/2008 Marin et al. .... D6/334  
 D571,572 S 6/2008 Tseng  
 7,401,785 B1 7/2008 Waite  
 7,404,601 B2 7/2008 Cheng  
 7,540,259 B2 \* 6/2009 Pape et al. .... 119/28.5  
 D608,104 S \* 1/2010 Vonnegut ..... D6/372  
 7,648,421 B2 1/2010 Yoon  
 7,878,585 B2 \* 2/2011 Salisbury ..... 297/180.14

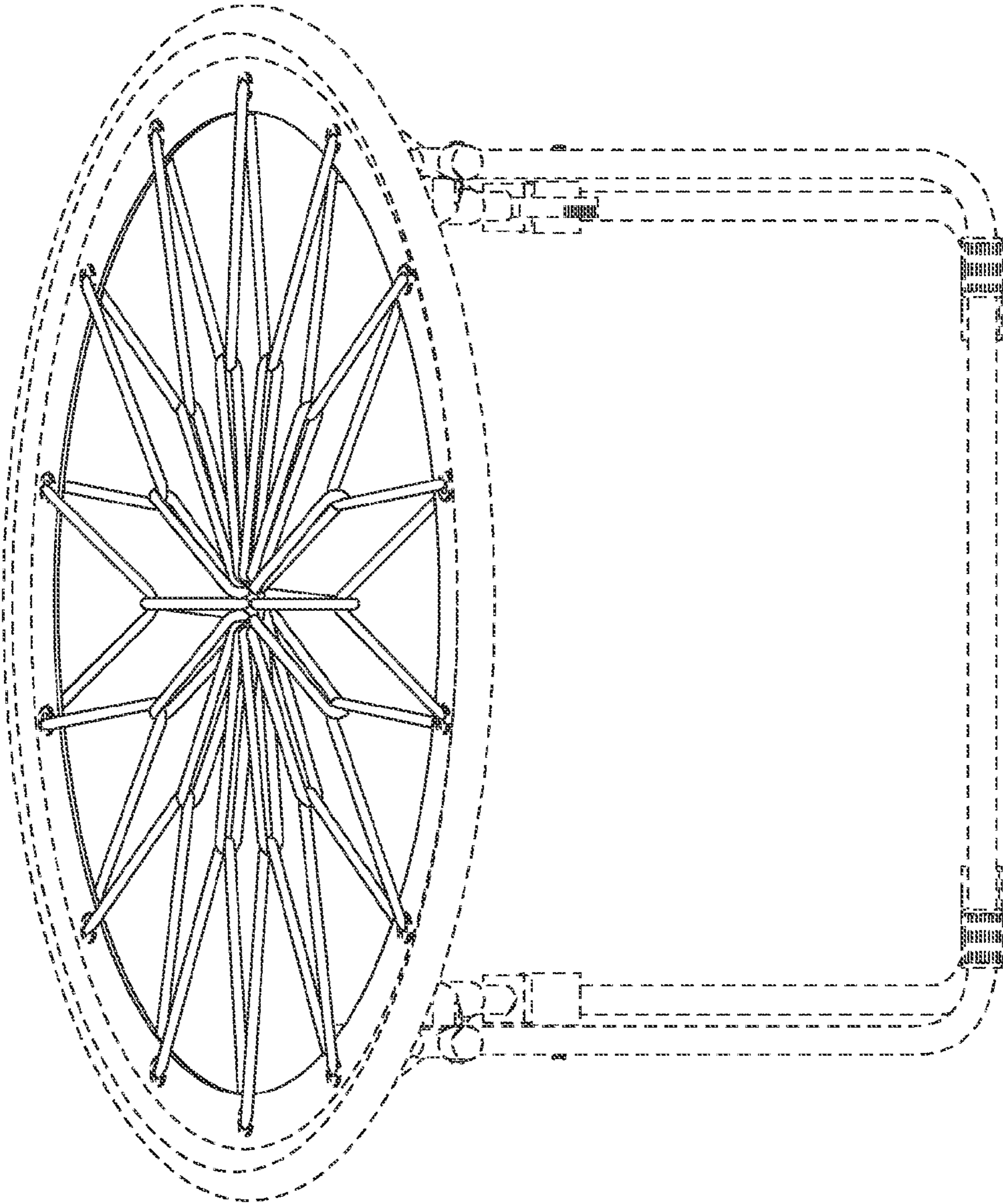
D637,828 S \* 5/2011 Horn et al. .... D6/344  
 7,938,489 B2 \* 5/2011 Nazari ..... 297/314  
 7,967,374 B2 6/2011 Akkad  
 D649,800 S 12/2011 Lievore et al.  
 D656,326 S 3/2012 Soewondo  
 8,282,509 B1 10/2012 Michaelson et al.  
 D677,920 S 3/2013 Christakos  
 D681,970 S 5/2013 Christakos  
 D683,156 S \* 5/2013 Christakos ..... D6/368  
 D688,057 S \* 8/2013 Christakos ..... D6/368  
 D691,384 S \* 10/2013 Akkad ..... D6/368  
 D701,703 S \* 4/2014 Aiello ..... D6/363  
 2001/0009871 A1 7/2001 Cho  
 2002/0183128 A1 12/2002 Cho  
 2003/0008721 A1 1/2003 Macaluso  
 2003/0060309 A1 \* 3/2003 Smith, IV ..... 473/431  
 2003/0078111 A1 4/2003 Wenzler  
 2003/0168900 A1 \* 9/2003 Poli ..... 297/452.13  
 2003/0234561 A1 12/2003 Zheng  
 2004/0245810 A1 12/2004 Tseng  
 2005/0088018 A1 4/2005 Yao  
 2006/0232108 A1 10/2006 Hsieh  
 2006/0249991 A1 11/2006 Hsieh  
 2007/0052178 A1 3/2007 Cottrell  
 2007/0063550 A1 3/2007 Lin  
 2007/0187897 A1 \* 8/2007 Dilling ..... 273/407  
 2007/0187998 A1 8/2007 Chen  
 2010/0164256 A1 7/2010 Salisbury  
 2011/0043003 A1 \* 2/2011 Akkad ..... 297/16.1

\* cited by examiner

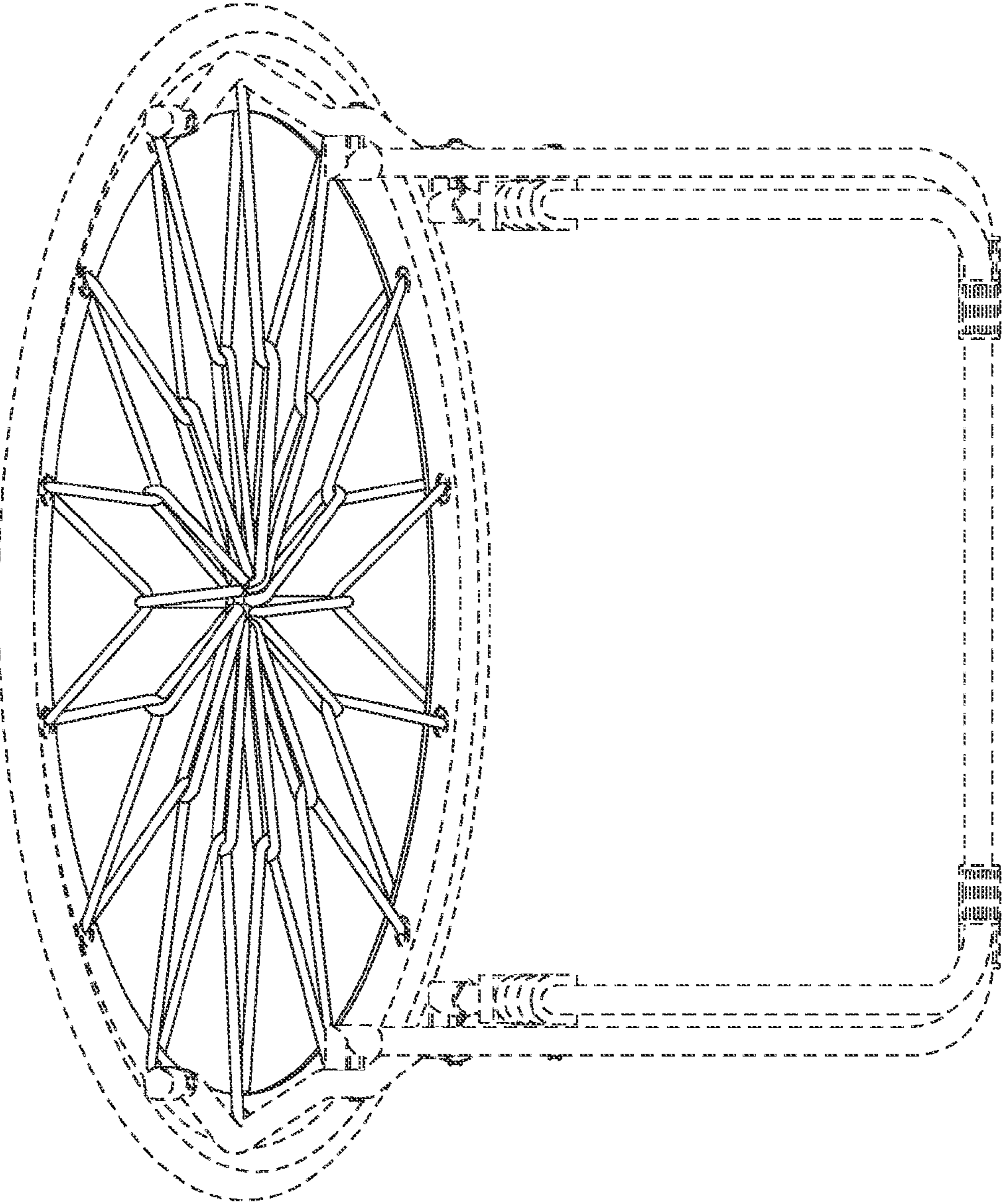


**Fig. 1**

**Fig. 2**



**Fig. 3**



**Fig. 4**

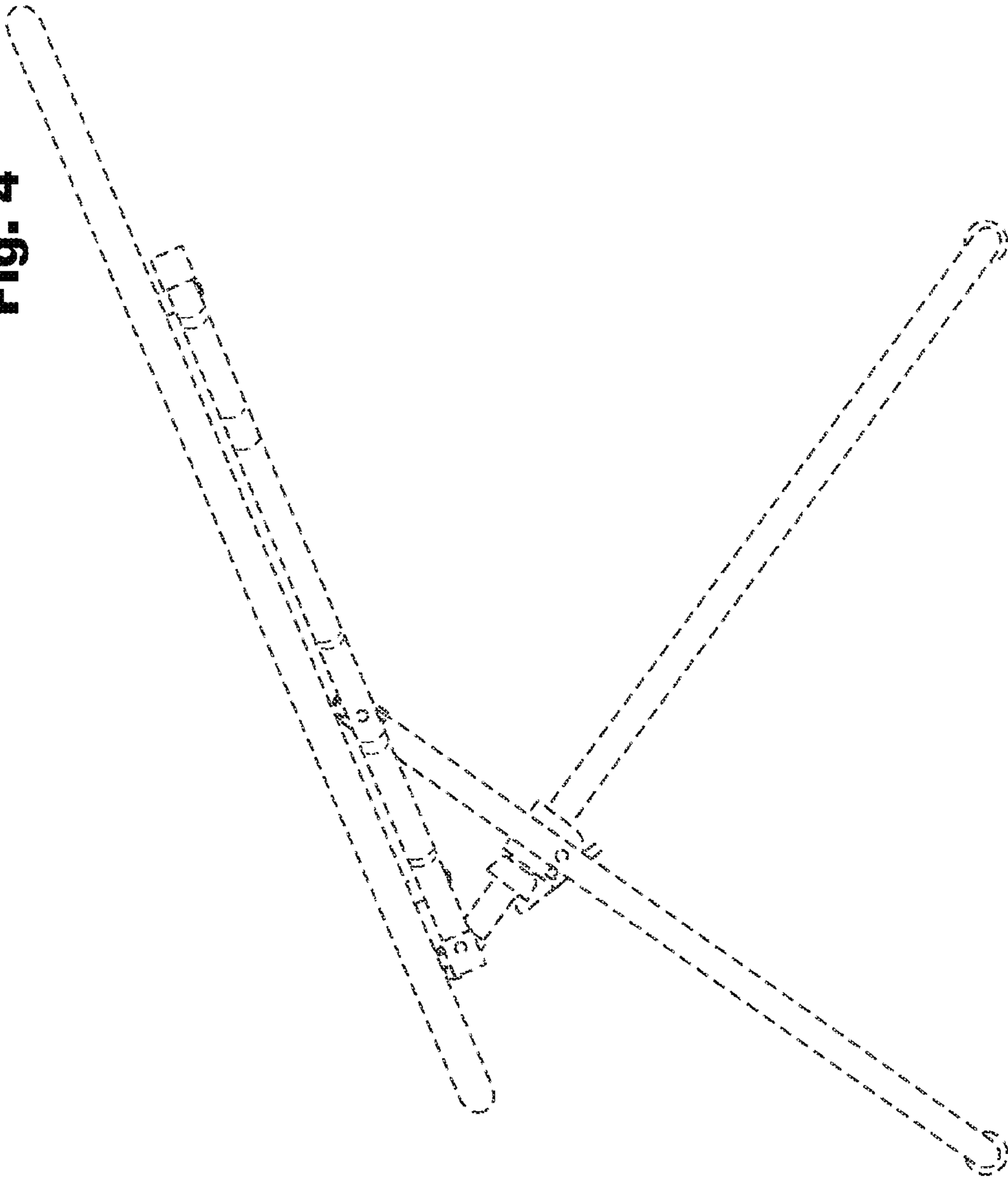


Fig. 5

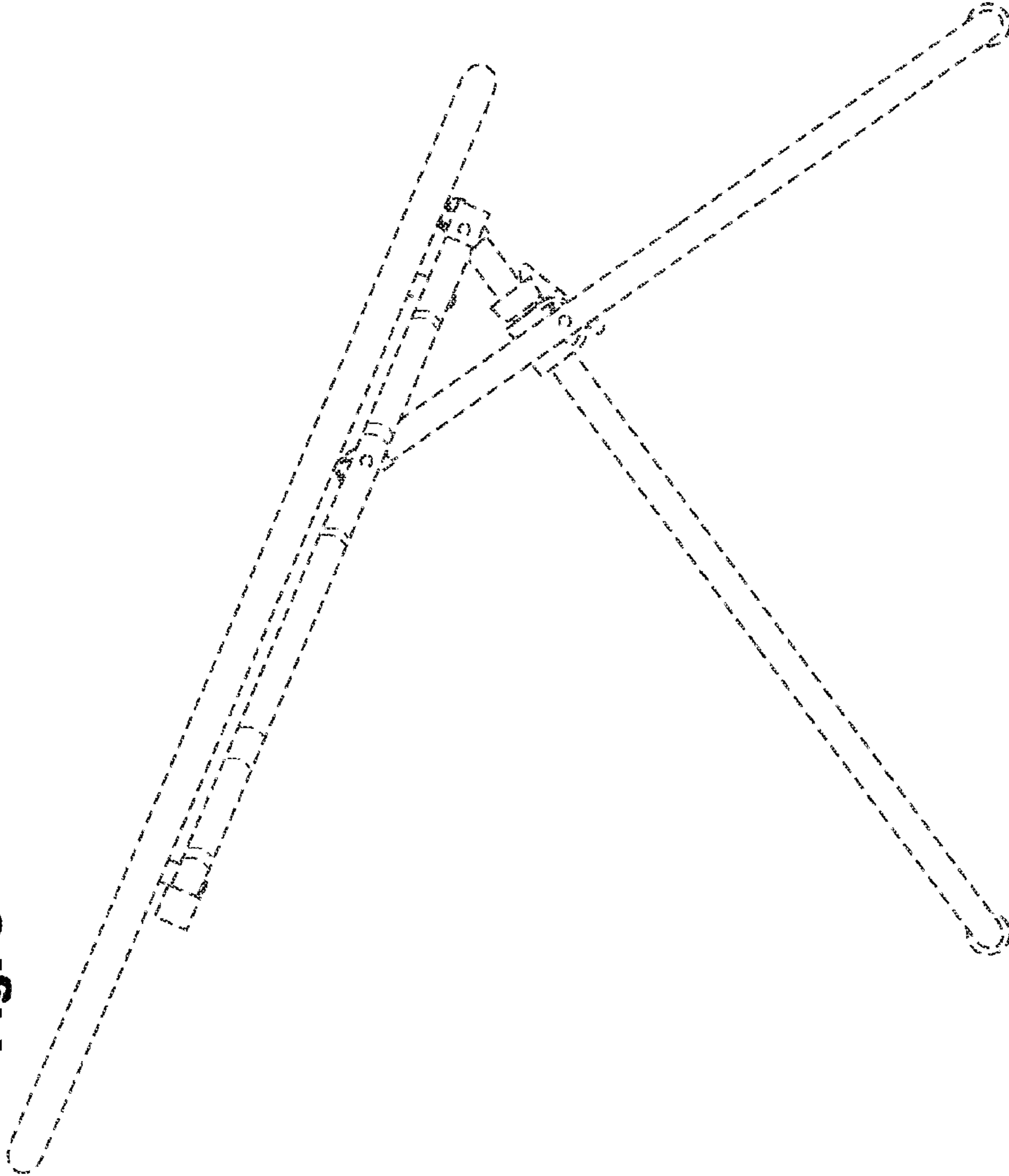
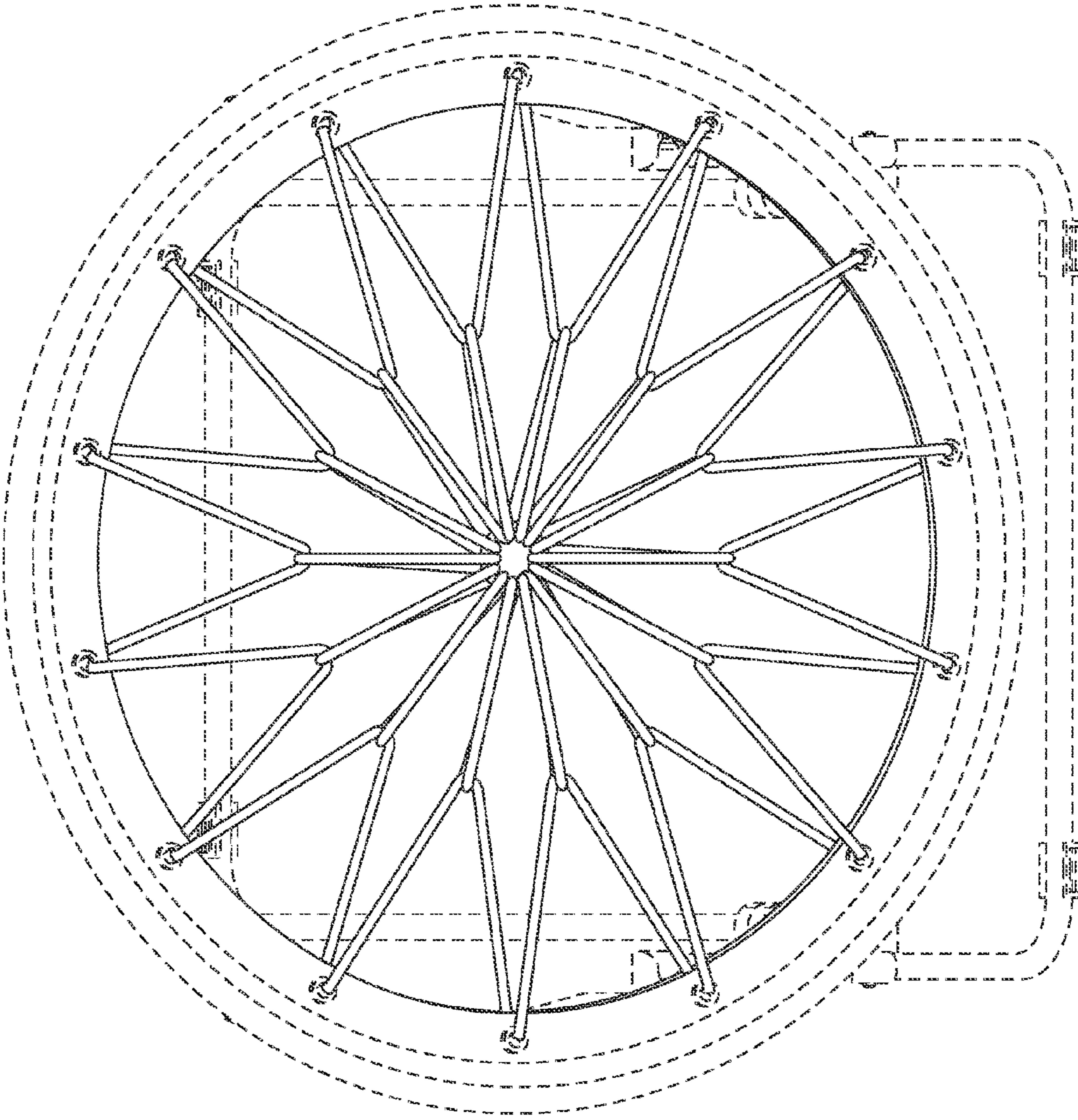


Fig. 6





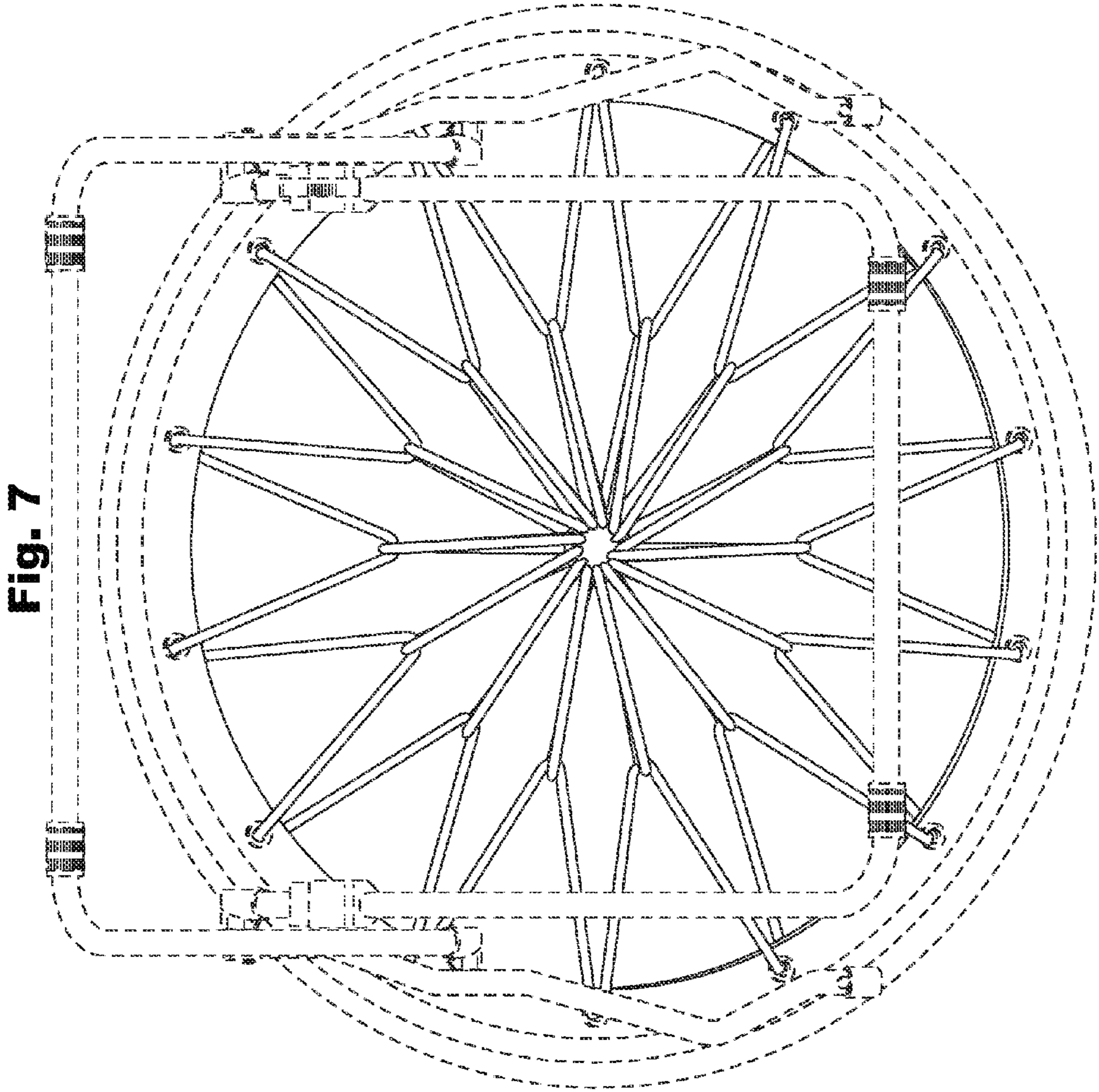


Fig. 7