



US00D711136S

(12) **United States Design Patent**
Christakos et al.

(10) **Patent No.:** **US D711,136 S**
(45) **Date of Patent:** **** Aug. 19, 2014**

(54) **BUNGEE CHAIR**
(71) Applicant: **Blu Dot Design & Manufacturing, Inc.**,
Minneapolis, MN (US)
(72) Inventors: **John N. Christakos**, Minneapolis, MN
(US); **Scott Smrstick**, Minneapolis, MN
(US)
(73) Assignee: **Blu Dot Design & Manufacturing, Inc.**,
Minneapolis, MN (US)
(**) Term: **14 Years**
(21) Appl. No.: **29/457,564**

3,656,808 A 4/1972 Chang
3,694,030 A 9/1972 Grosfillex
D292,048 S 9/1987 Shaffer
5,338,097 A * 8/1994 Tan 297/451.11
5,695,253 A 12/1997 Jenkins
D427,797 S * 7/2000 Tseng D6/376
D429,303 S 8/2000 Peterson, Jr.
6,332,646 B1 12/2001 Tseng
6,447,057 B1 9/2002 Chen
6,554,717 B2 * 4/2003 Cho 473/197
D475,860 S 6/2003 Yang
6,702,371 B2 3/2004 Zheng
6,824,207 B1 11/2004 Lin
D499,258 S * 12/2004 Tseng D6/368
6,840,573 B1 1/2005 Yao
6,848,740 B1 2/2005 Reese

(Continued)

(22) Filed: **Jun. 11, 2013**
(51) **LOC (10) Cl.** **06-01**
(52) **U.S. Cl.**
USPC **D6/368**
(58) **Field of Classification Search**
USPC D6/334-336, 344, 348-349, 363,
D6/366-376, 379, 716, 716.1-716.4;
5/102; 119/28.5; 273/396, 407;
297/16.1, 16.2, 31, 34, 45-47, 50, 56,
297/180.14, 271.6, 314, 411.41, 440.11,
297/440.24, 448.1, 451.11, 451.4, 452.12,
297/452.13; 473/197, 431, 446, 456
See application file for complete search history.

OTHER PUBLICATIONS

Advertisement from Target, "Woven Techniques Hard Goods", Interior Design Capsule, made publicly available by at least Feb. 27, 2012.

Primary Examiner — Ricky Pham
(74) *Attorney, Agent, or Firm* — Fredikson & Byron, P.A.

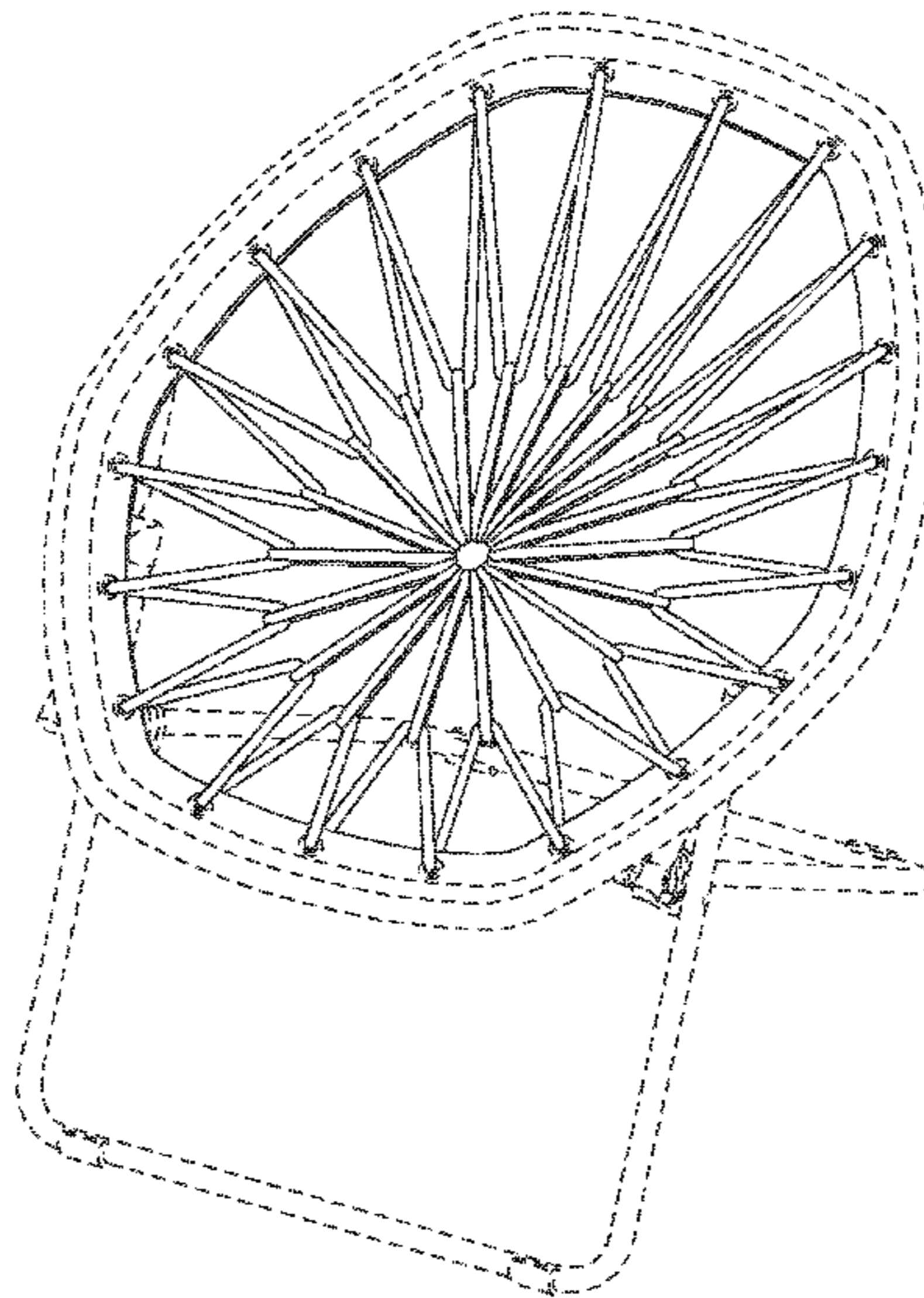
(57) **CLAIM**
We claim the ornamental design for a bungee chair, as shown and described.

DESCRIPTION

FIG. 1 is a perspective of our new design for a bungee chair; FIG. 2 is front view thereof; FIG. 3 is a rear view thereof; FIG. 4 is a right side view thereof; FIG. 5 is a left side view thereof; FIG. 6 is a top view thereof; and, FIG. 7 is a bottom view thereof. The broken lines shown in the drawings are for illustrative purposes only and form no part of the claimed design.

(56) **References Cited**
U.S. PATENT DOCUMENTS
D168,212 S 11/1952 Cicchelli
D171,265 S 1/1954 Phillips
2,684,709 A * 7/1954 Schawinsky 297/411.41
2,723,712 A 11/1955 Yellen
D179,376 S * 12/1956 Breed D6/366
D184,202 S 12/1958 Yuen
2,916,744 A * 12/1959 May et al. 5/102
2,930,430 A 3/1960 Bloom
3,180,685 A 4/1965 Rogalski et al.

1 Claim, 7 Drawing Sheets



(56)

References Cited

U.S. PATENT DOCUMENTS

D503,289 S	3/2005	Eyman et al.	
6,877,814 B2	4/2005	Lin	
6,883,862 B1	4/2005	Yao	
D507,121 S *	7/2005	Eyman et al.	D6/344
D507,616 S	7/2005	Simpson	
D507,891 S	8/2005	Eyman et al.	
6,938,951 B1	9/2005	Tseng	
6,939,241 B1 *	9/2005	Chang	473/197
6,957,852 B1	10/2005	Hsieh	
6,971,712 B1	12/2005	Tseng	
7,000,983 B1	2/2006	Tsai	
D516,330 S *	3/2006	Ruiter	D6/370
7,011,372 B1	3/2006	Hsieh	
7,144,078 B2	12/2006	Hsieh	
7,178,864 B2	2/2007	Hsieh	
7,264,245 B2 *	9/2007	Cho	273/396
D554,873 S	11/2007	Ma	
D555,378 S	11/2007	Tsai	
7,311,617 B2 *	12/2007	Langhorn	473/446
D565,310 S *	4/2008	Marin et al.	D6/334
D571,572 S	6/2008	Tseng	
7,401,785 B1	7/2008	Waite	
7,404,601 B2	7/2008	Cheng	
7,540,259 B2 *	6/2009	Pape et al.	119/28.5
D608,104 S *	1/2010	Vonnegut	D6/372
7,648,421 B2	1/2010	Yoon	
7,878,585 B2 *	2/2011	Salisbury	297/180.14
D637,828 S *	5/2011	Horn et al.	D6/344
7,938,489 B2 *	5/2011	Nazari	297/314
7,967,374 B2	6/2011	Akkad	
D649,800 S	12/2011	Lievore et al.	
D656,326 S	3/2012	Soewondo	
8,282,509 B1	10/2012	Michaelson et al.	
D677,920 S	3/2013	Christakos	
D681,970 S	5/2013	Christakos	
D683,156 S *	5/2013	Christakos	D6/368
D688,057 S *	8/2013	Christakos	D6/368
D691,384 S *	10/2013	Akkad	D6/368
D701,703 S *	4/2014	Aiello	D6/363
2001/0009871 A1	7/2001	Cho	
2002/0183128 A1	12/2002	Cho	
2003/0008721 A1	1/2003	Macaluso	
2003/0060309 A1 *	3/2003	Smith, IV	473/431
2003/0078111 A1	4/2003	Wenzler	
2003/0168900 A1 *	9/2003	Poli	297/452.13
2003/0234561 A1	12/2003	Zheng	
2004/0245810 A1	12/2004	Tseng	
2005/0088018 A1	4/2005	Yao	
2006/0232108 A1	10/2006	Hsieh	
2006/0249991 A1	11/2006	Hsieh	
2007/0052178 A1	3/2007	Cottrell	
2007/0063550 A1	3/2007	Lin	
2007/0187897 A1 *	8/2007	Dilling	273/407
2007/0187998 A1	8/2007	Chen	
2010/0164256 A1	7/2010	Salisbury	
2011/0043003 A1 *	2/2011	Akkad	297/16.1

* cited by examiner

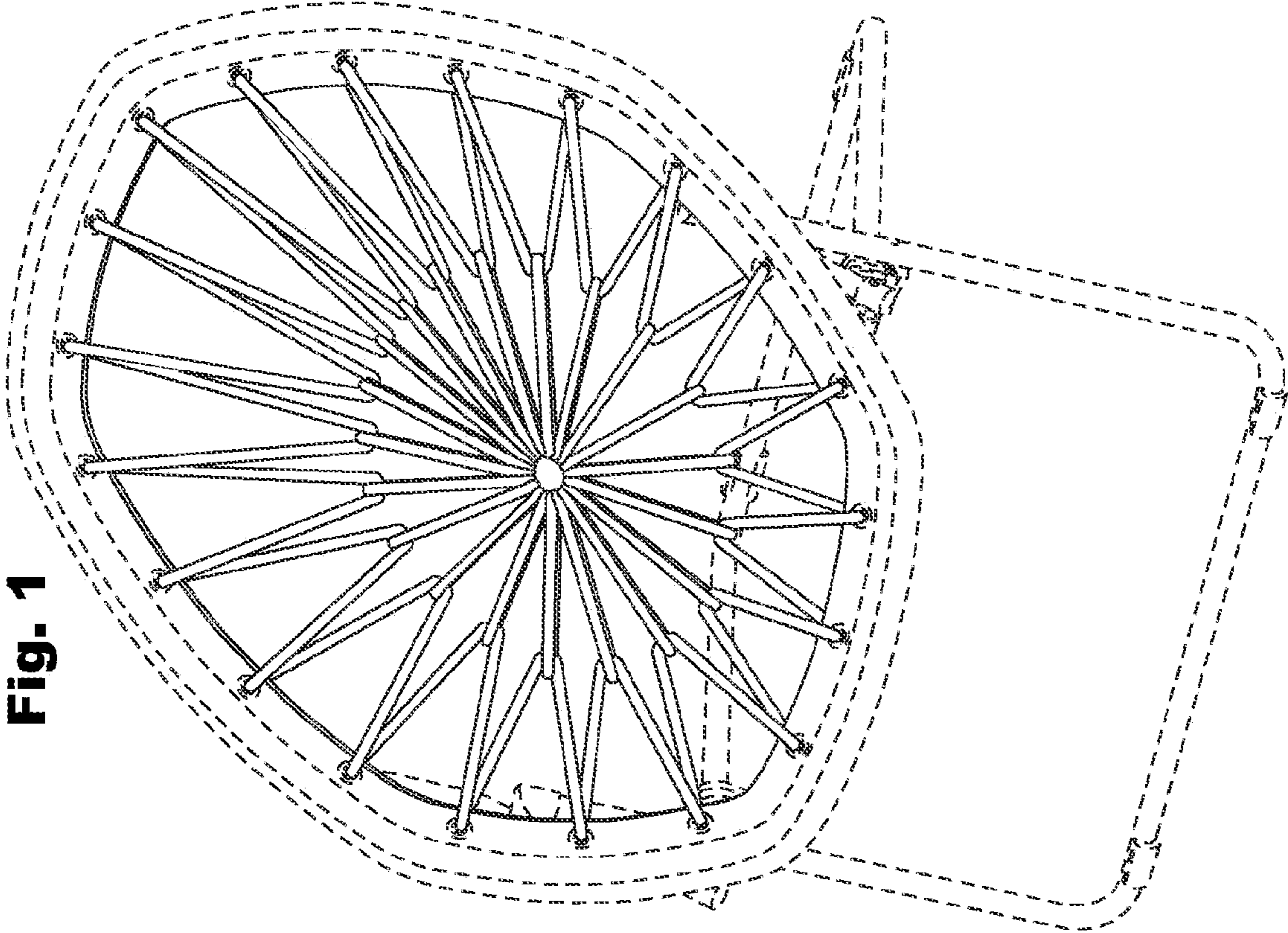


Fig. 1

Fig. 2

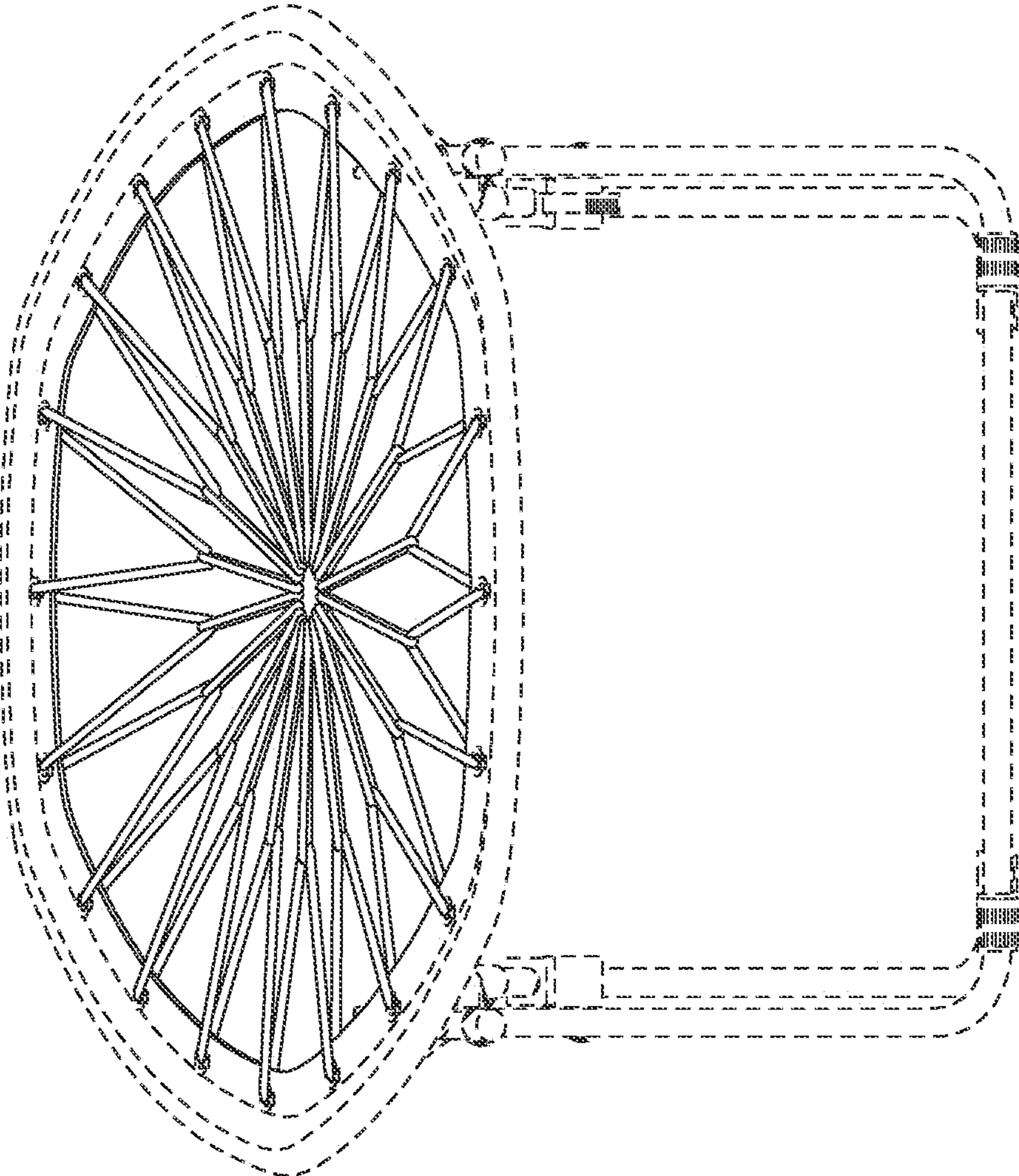


Fig. 3

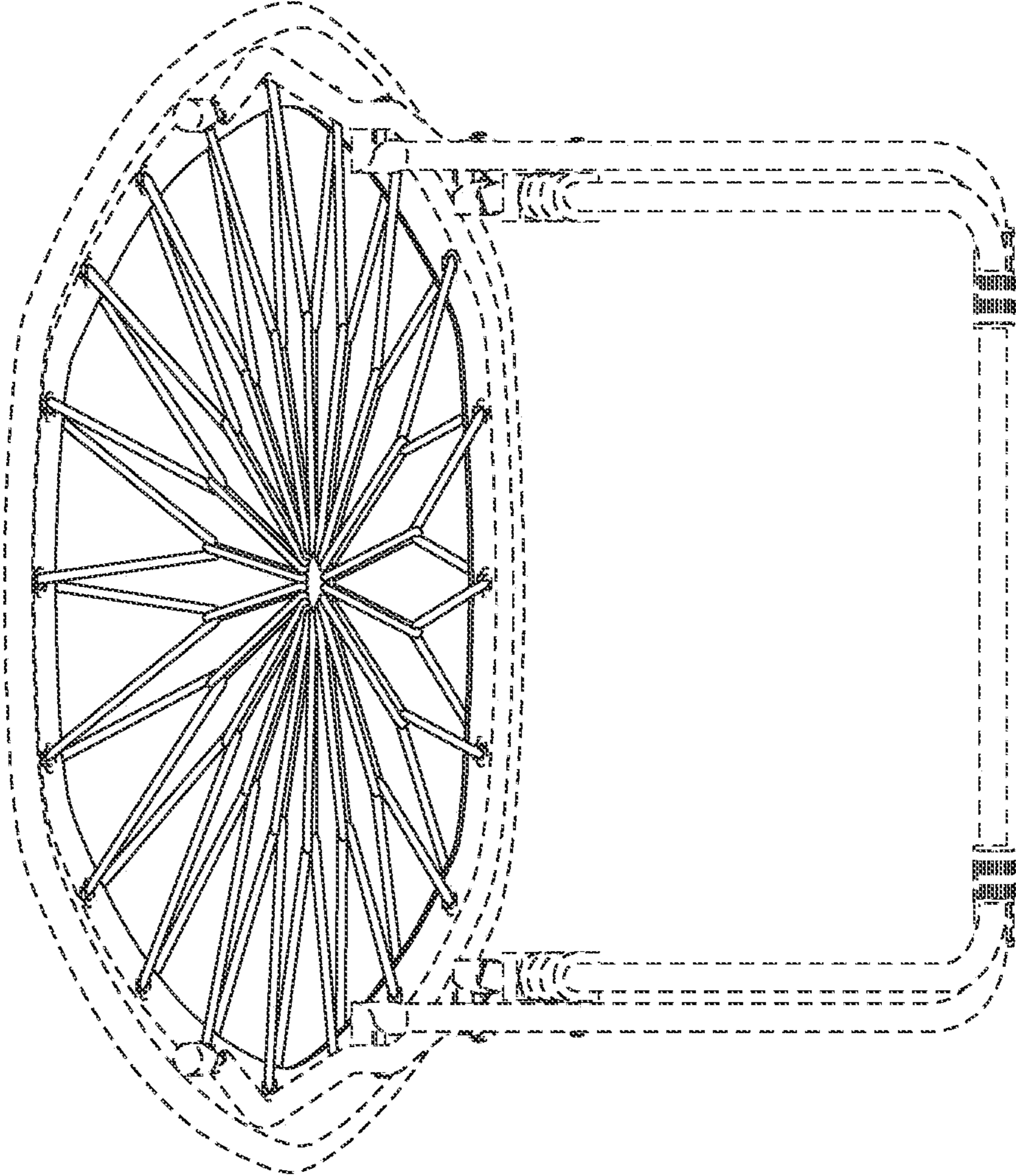


Fig. 4

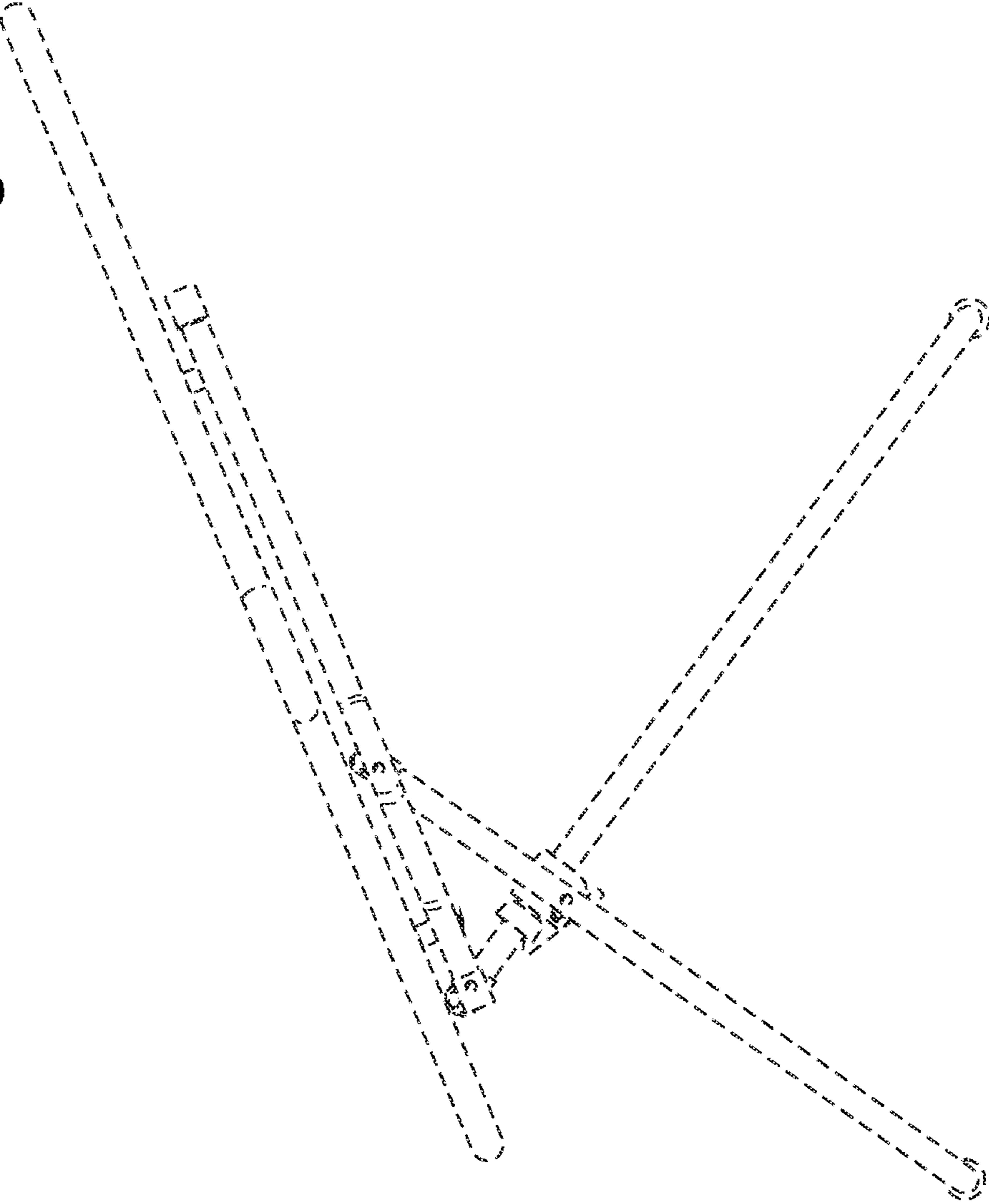


Fig. 5

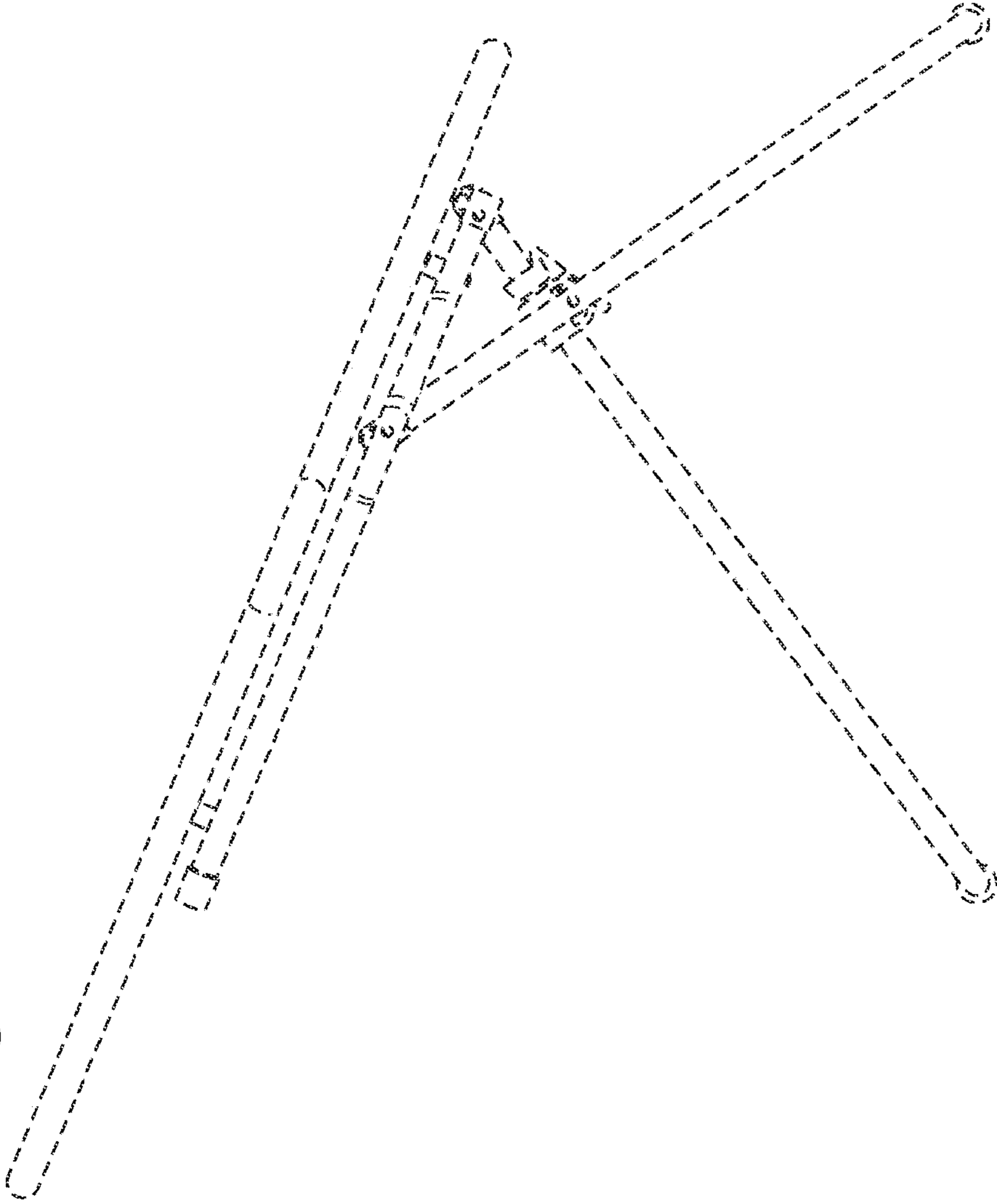


Fig. 6

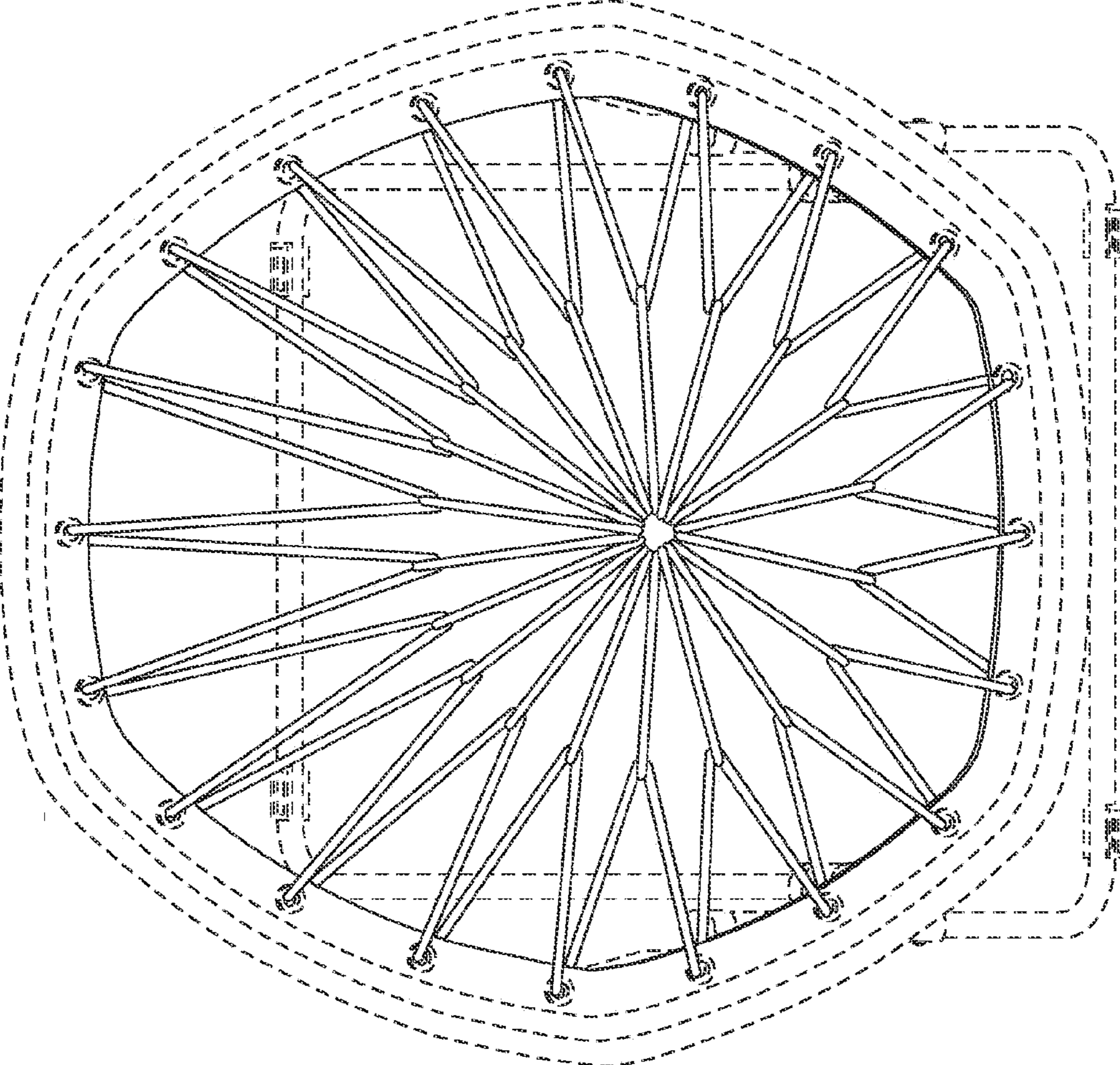


Fig. 7

