



US00D711127S

(12) **United States Design Patent**
Wilkinson et al.

(10) **Patent No.:** **US D711,127 S**

(45) **Date of Patent:** **** Aug. 19, 2014**

(54) **CHAIR**

(71) Applicants: **Paul Michael Wilkinson**, Wellington (NZ); **Christopher Warren Bisman**, Porirua (NZ); **Stuart Gregory Munro**, Lower Hutt (NZ)

(72) Inventors: **Paul Michael Wilkinson**, Wellington (NZ); **Christopher Warren Bisman**, Porirua (NZ); **Stuart Gregory Munro**, Lower Hutt (NZ)

(73) Assignee: **Formway Furniture Limited**, Wellington (NZ)

(**) Term: **14 Years**

(21) Appl. No.: **29/467,559**

(22) Filed: **Sep. 20, 2013**

(51) **LOC (10) Cl.** **06-01**

(52) **U.S. Cl.**
USPC **D6/366**

(58) **Field of Classification Search**
USPC D6/334-336, 344-35, 360-381, 388, D6/403, 491-502, 692, 708, 716, D6/716.2-716.46; 297/16.1, 22, 31, 35, 297/217.1, 228.12, 239, 256.16, 271.6, 297/284.4-284.5, 291, 297, 302.4, 411.2, 297/411.27-411.29, 411.43, 423.1, 423.12, 297/440.11, 440.15, 440.24, 448.1, 451.4, 297/452.13, 452.19, 452.21, 452.27, 297/452.29, 452.3, 452.41, 452.56, 452.64
See application file for complete search history.

(56) **References Cited**

U.S. PATENT DOCUMENTS

D463,144 S	9/2002	Pennington et al.	
6,702,390 B2	3/2004	Stumpf et al.	
D493,626 S *	8/2004	James	D6/366
D499,895 S *	12/2004	Olson et al.	D6/366
D514,832 S *	2/2006	Tsai	D6/366
D517,820 S *	3/2006	Citterio	D6/366

D521,755 S *	5/2006	Kinoshita et al.	D6/366
D557,027 S *	12/2007	Hara	D6/366
D558,995 S *	1/2008	Igarashi	D6/366
D558,996 S *	1/2008	Igarashi	D6/366
D559,571 S *	1/2008	Meda	D6/366
D559,572 S *	1/2008	Igarashi	D6/366
D559,573 S *	1/2008	Igarashi	D6/366
D559,574 S *	1/2008	Igarashi	D6/366
D576,809 S *	9/2008	Christianson et al.	D6/356
D582,170 S *	12/2008	Chi	D6/366
D595,970 S *	7/2009	Ueda	D6/366
D597,329 S *	8/2009	Tanaka et al.	D6/366
D597,349 S *	8/2009	Wilkinson et al.	D6/502
D600,462 S *	9/2009	Ooki et al.	D6/366
D607,653 S *	1/2010	Wilkinson et al.	D6/366
D613,084 S	4/2010	Wilkinson et al.	
D613,085 S *	4/2010	Fujita	D6/366
D613,087 S *	4/2010	Fujita	D6/366
D616,213 S	5/2010	Parker et al.	

(Continued)

Primary Examiner — Ricky Pham

(74) *Attorney, Agent, or Firm* — Workman Nydegger

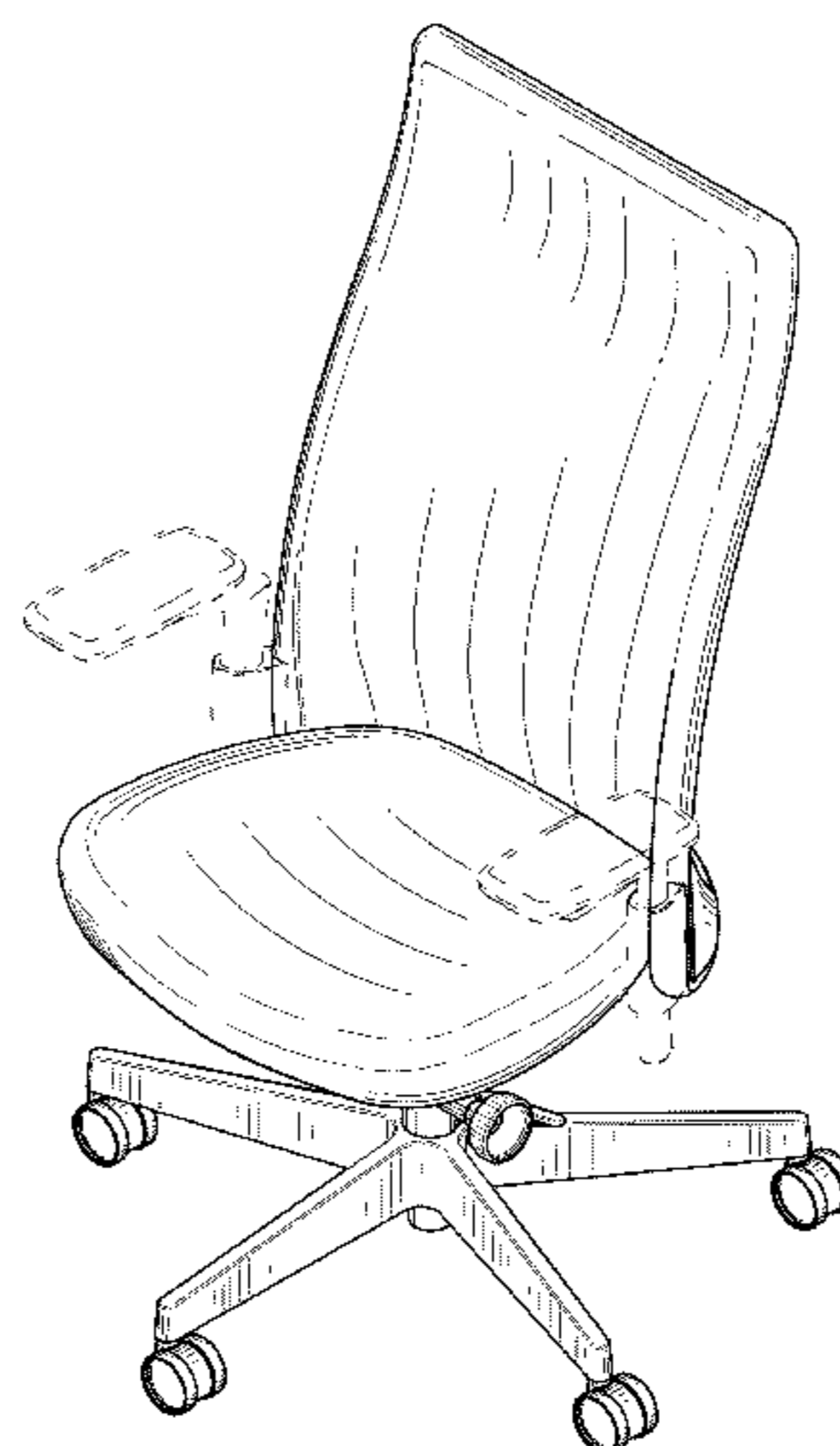
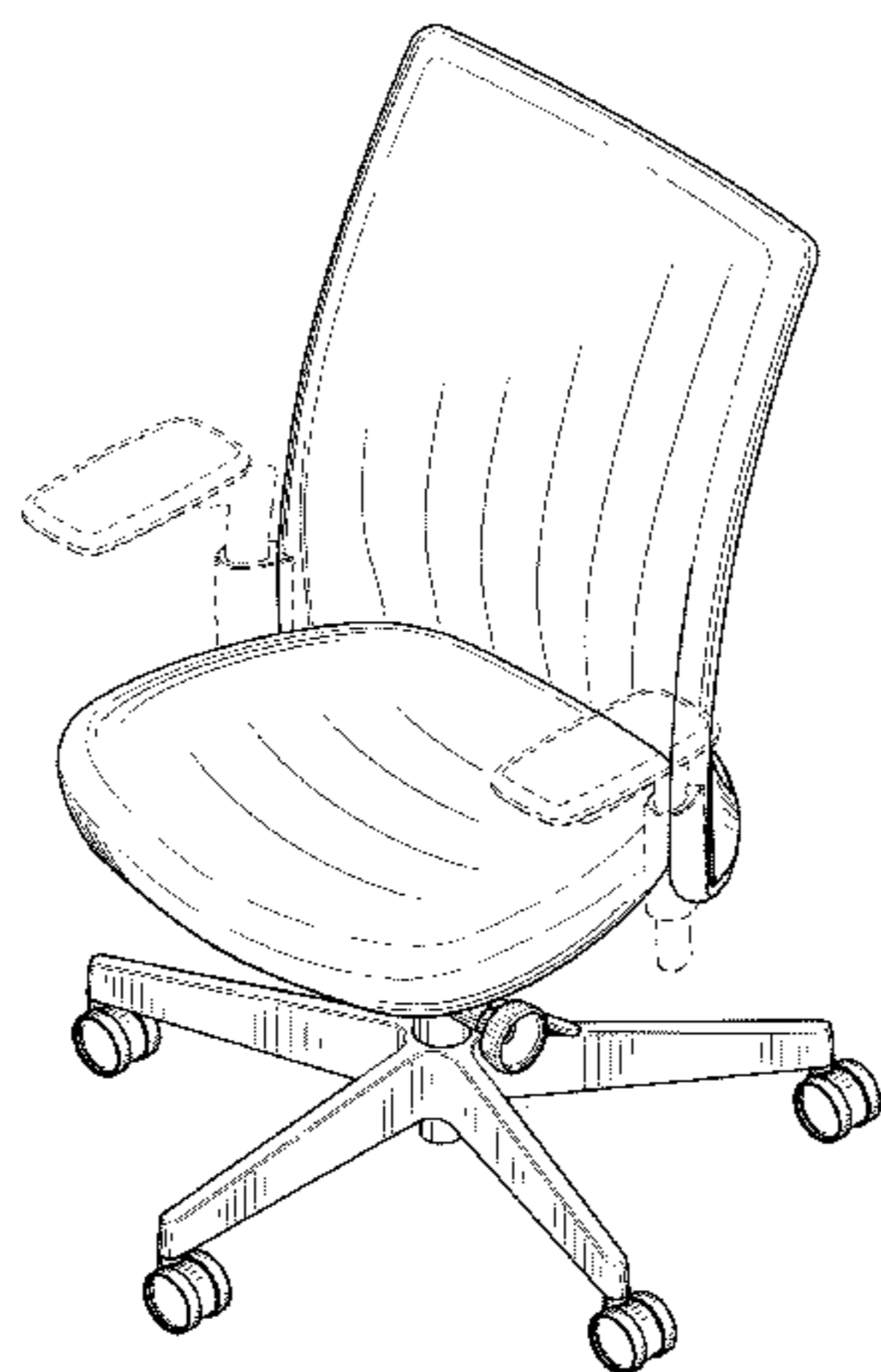
(57) **CLAIM**

The ornamental design for a chair, as shown and described.

DESCRIPTION

FIG. 1 is an overhead front perspective view of a chair showing our new design;
FIG. 2 is a front elevational view thereof;
FIG. 3 is a left side elevational view thereof;
FIG. 4 is a rear elevational view thereof;
FIG. 5 is a right side elevational view thereof;
FIG. 6 is a top plan view thereof;
FIG. 7 is an overhead front perspective view of a second embodiment of the chair;
FIG. 8 is a front elevational view thereof;
FIG. 9 is a left side elevational view thereof;
FIG. 10 is a rear elevational view thereof;
FIG. 11 is a right side elevational view thereof; and,
FIG. 12 is a top plan view thereof.
The broken lines showing the arm rests are for the purpose of illustration and form no part of the claimed design.

1 Claim, 12 Drawing Sheets



(56)

References Cited

U.S. PATENT DOCUMENTS

D636,614 S * 4/2011 Sander et al. D6/366
D649,795 S * 12/2011 Izawa D6/366
D652,223 S * 1/2012 Fujita D6/366
D654,709 S * 2/2012 Fujita D6/366
D654,710 S * 2/2012 Fujita D6/366
D654,711 S * 2/2012 Fujita D6/366
D655,522 S * 3/2012 Czumaj-Bront et al. D6/366
D656,752 S * 4/2012 Moll D6/366

D665,589 S * 8/2012 Wagner D6/366
D665,592 S * 8/2012 Citterio D6/366
D666,016 S * 8/2012 Citterio D6/366
D667,231 S * 9/2012 Citterio D6/366
D670,927 S * 11/2012 Hurford D6/366
D671,759 S * 12/2012 Hurford D6/366
D688,056 S * 8/2013 Phillips et al. D6/366
D688,483 S * 8/2013 Aratani D6/366
D690,523 S * 10/2013 Choi D6/366
D696,886 S * 1/2014 Nakamura D6/716.4
2005/0035638 A1 2/2005 Pennington et al.

* cited by examiner

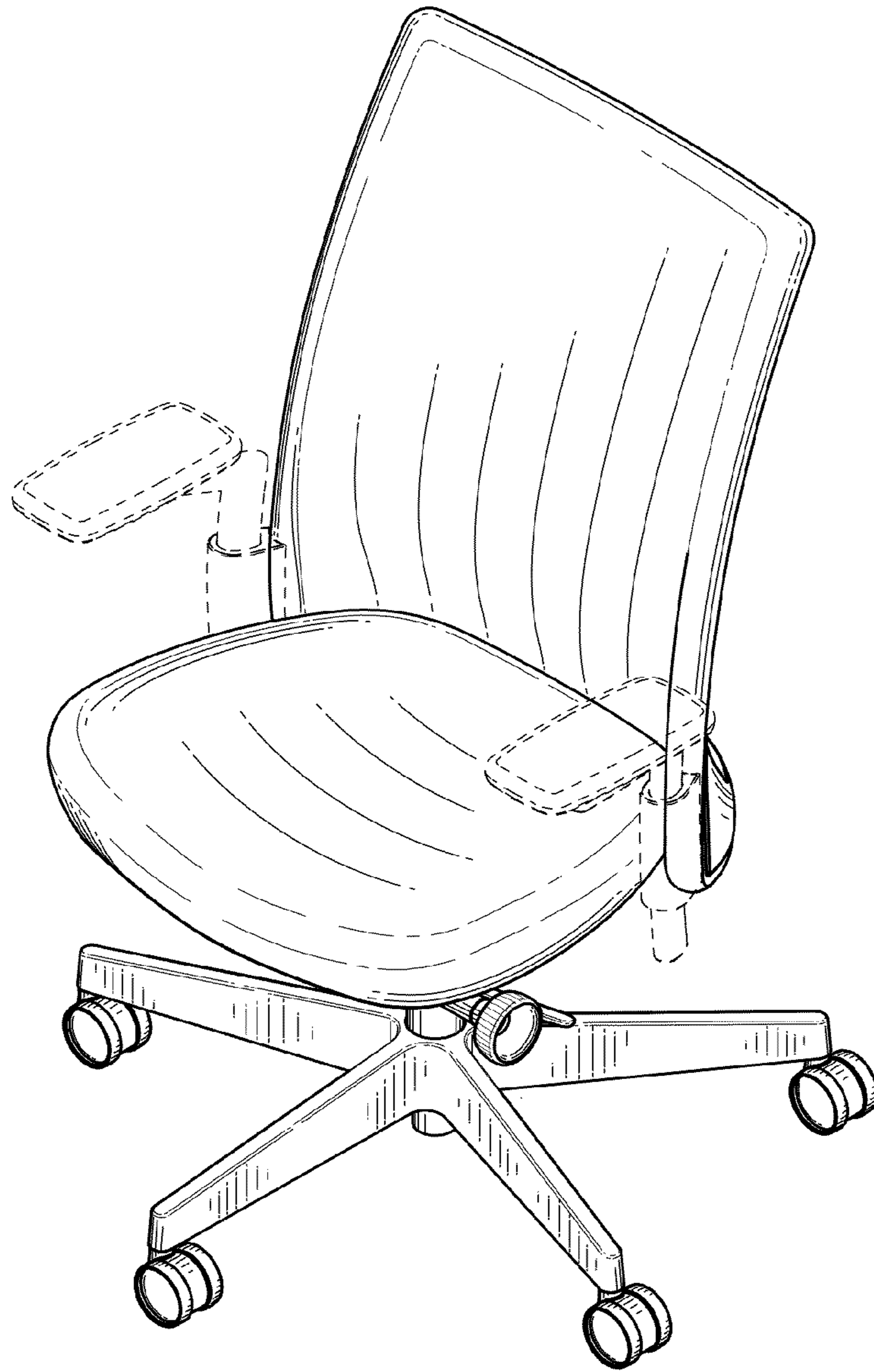


FIGURE 1

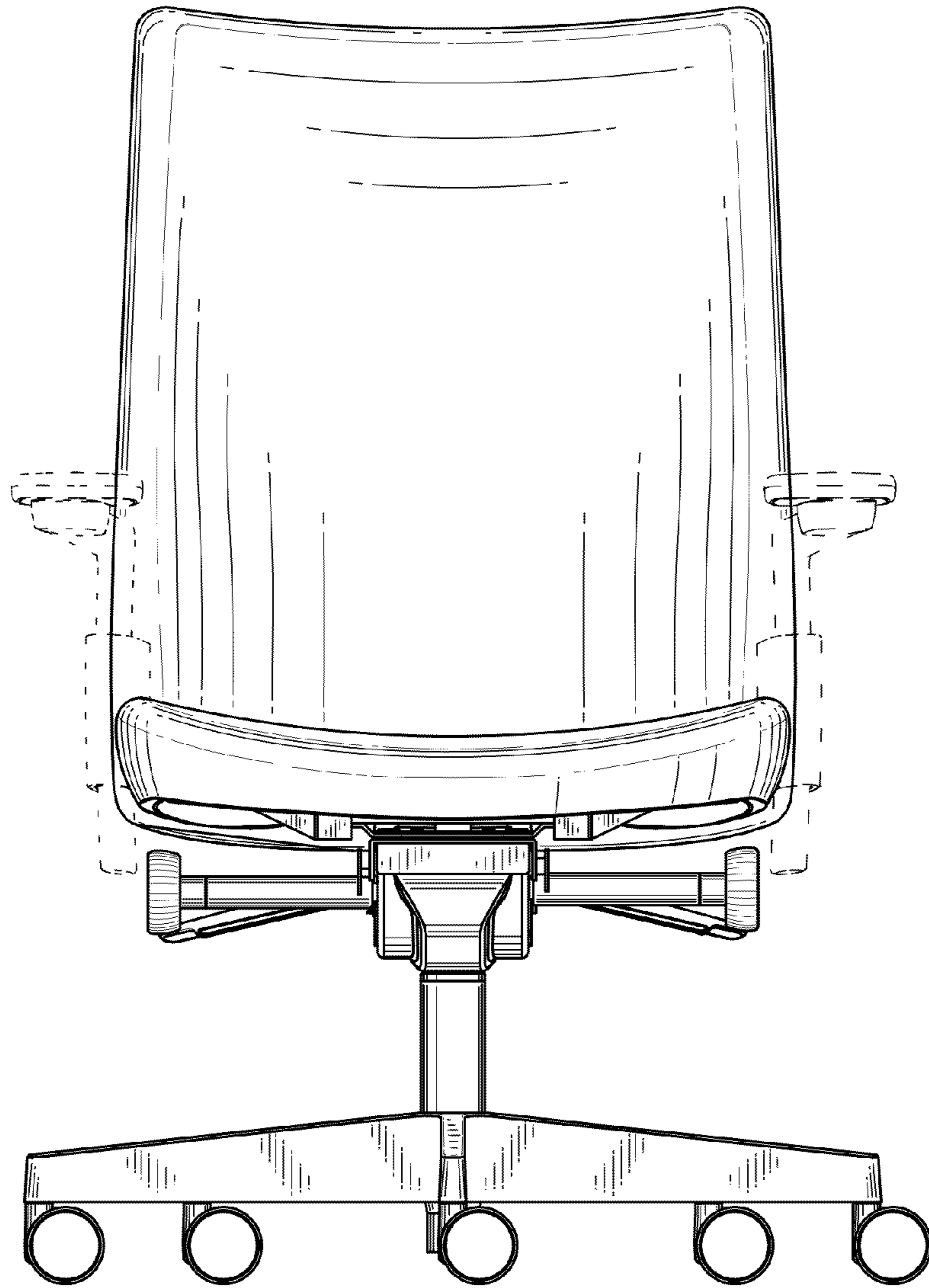


FIGURE 2

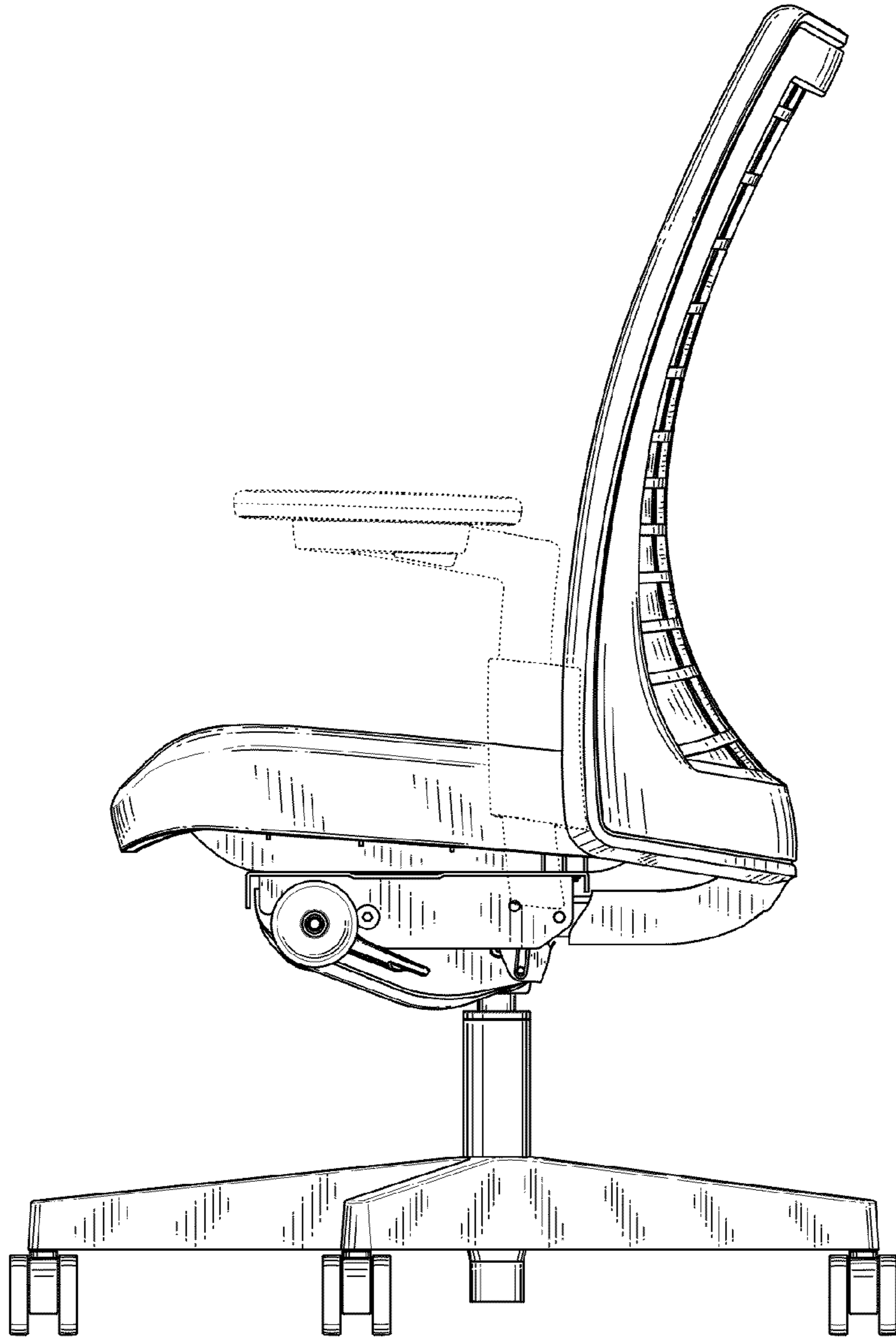


FIGURE 3

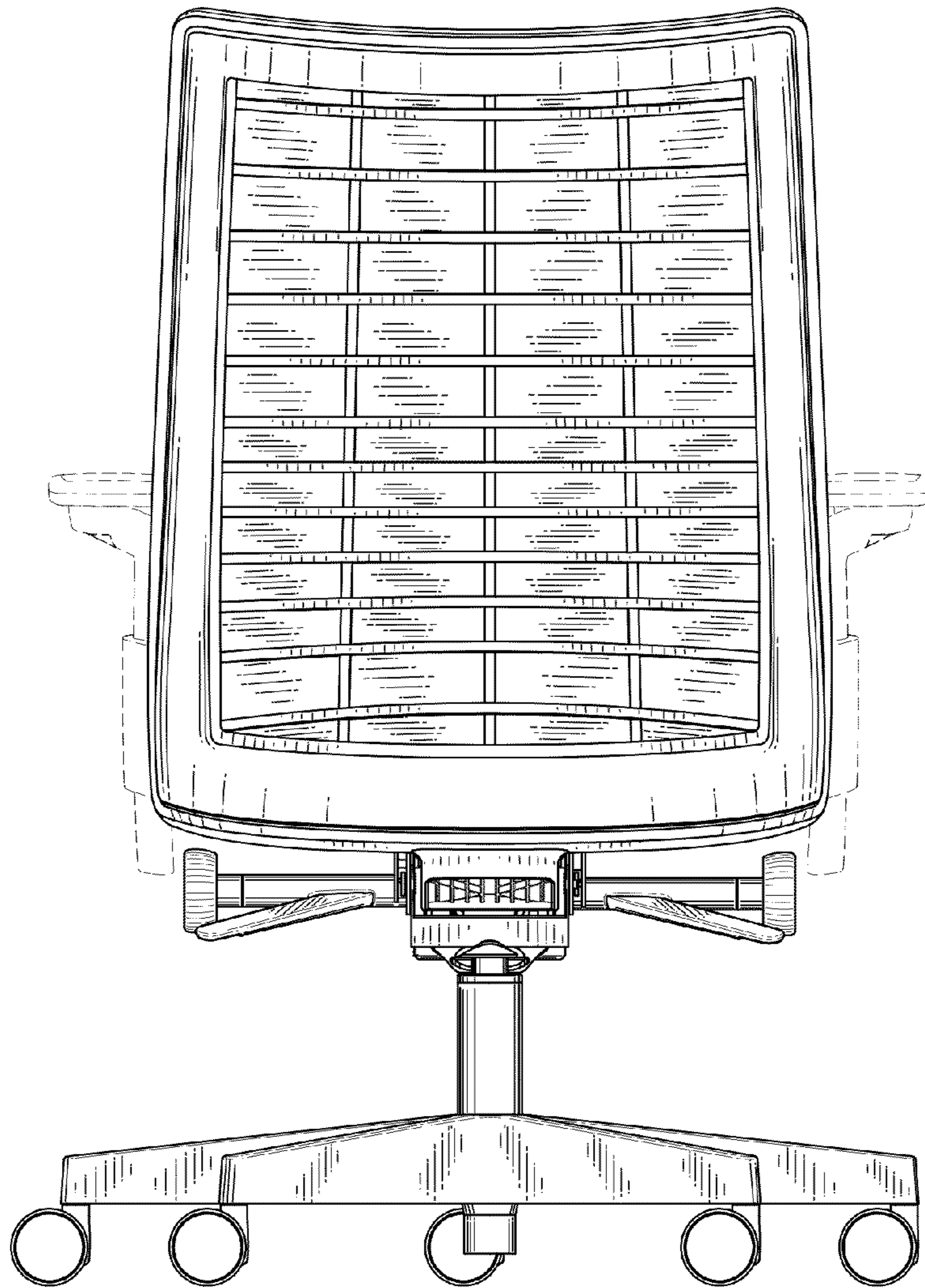


FIGURE 4

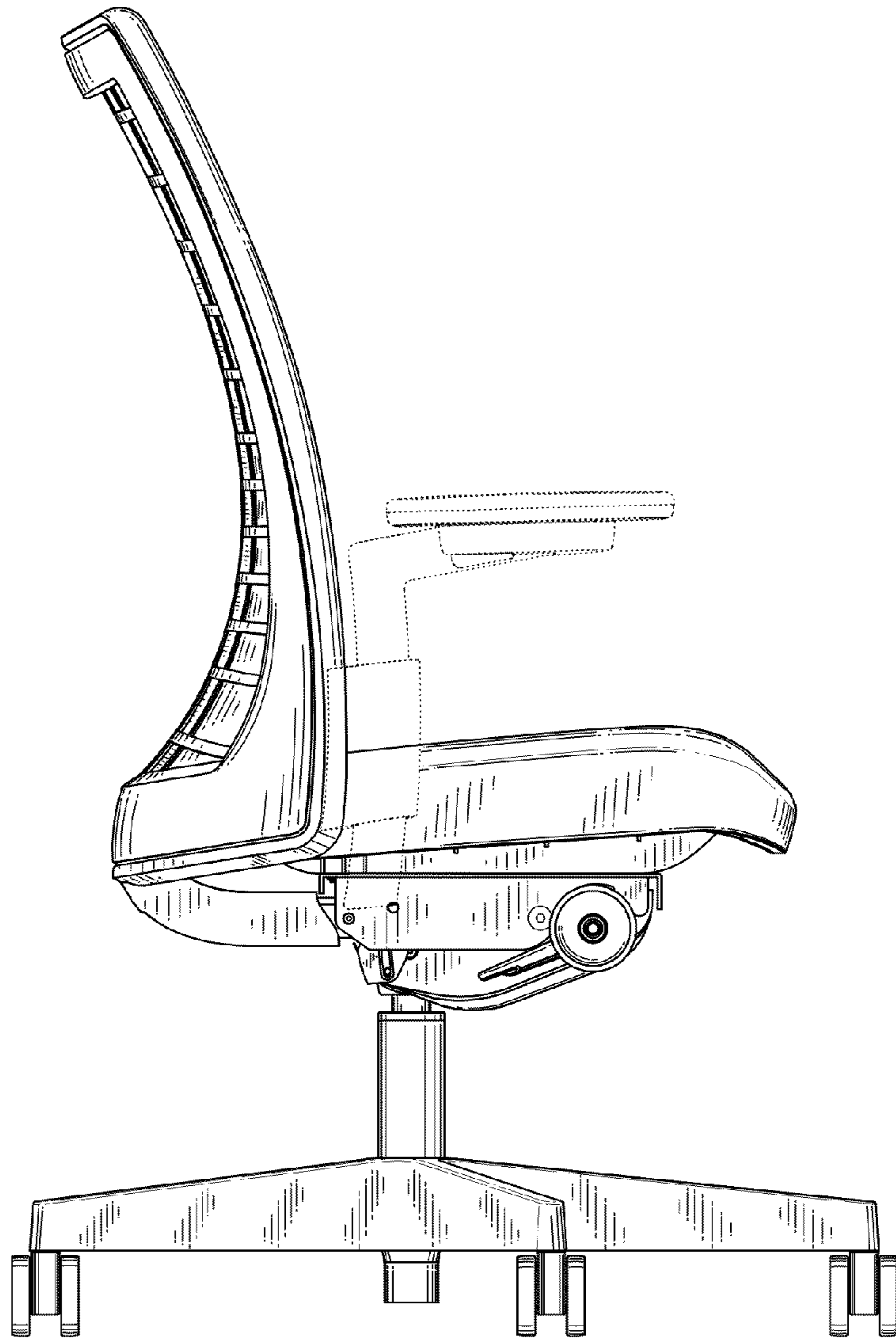


FIGURE 5

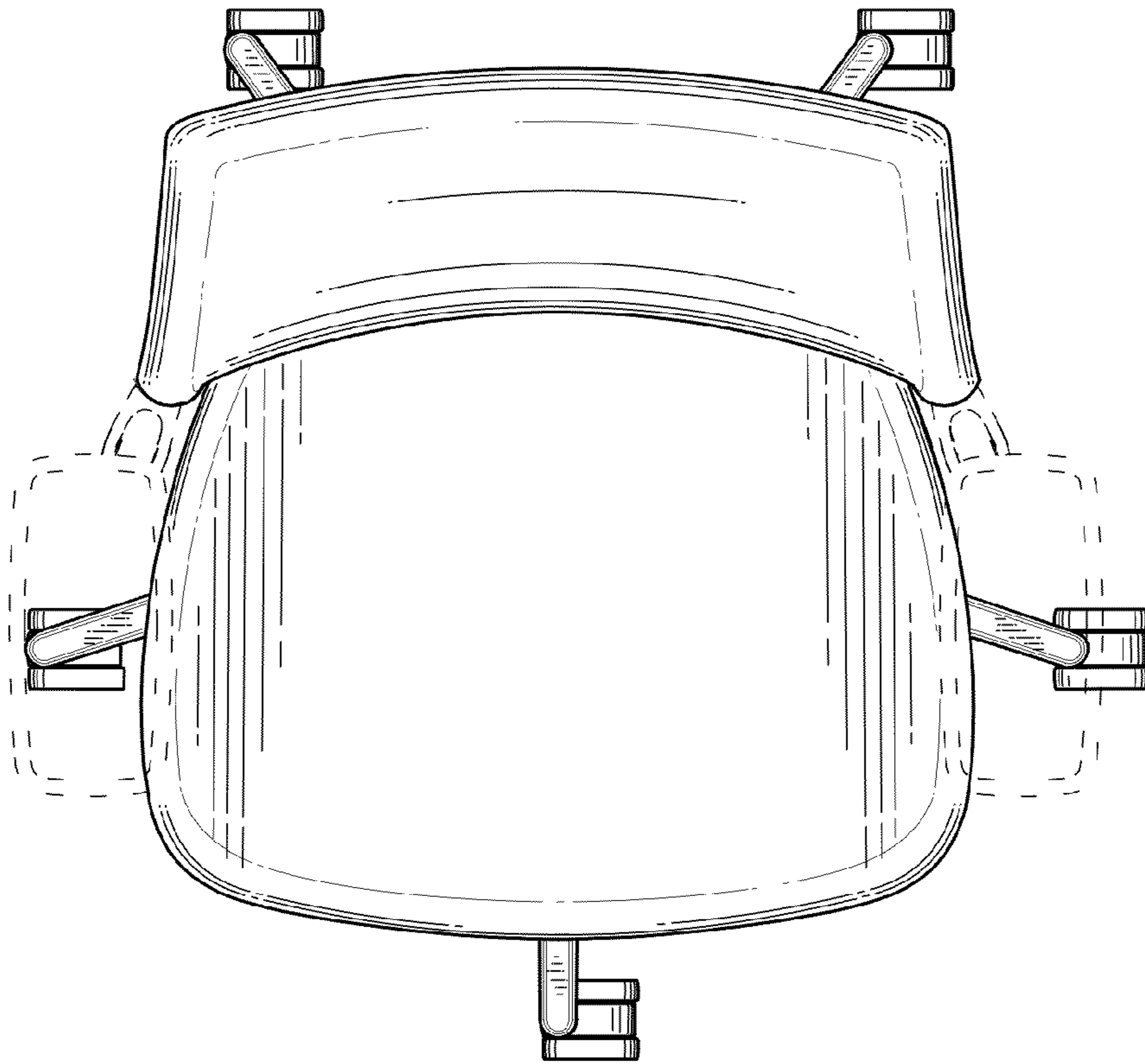


FIGURE 6

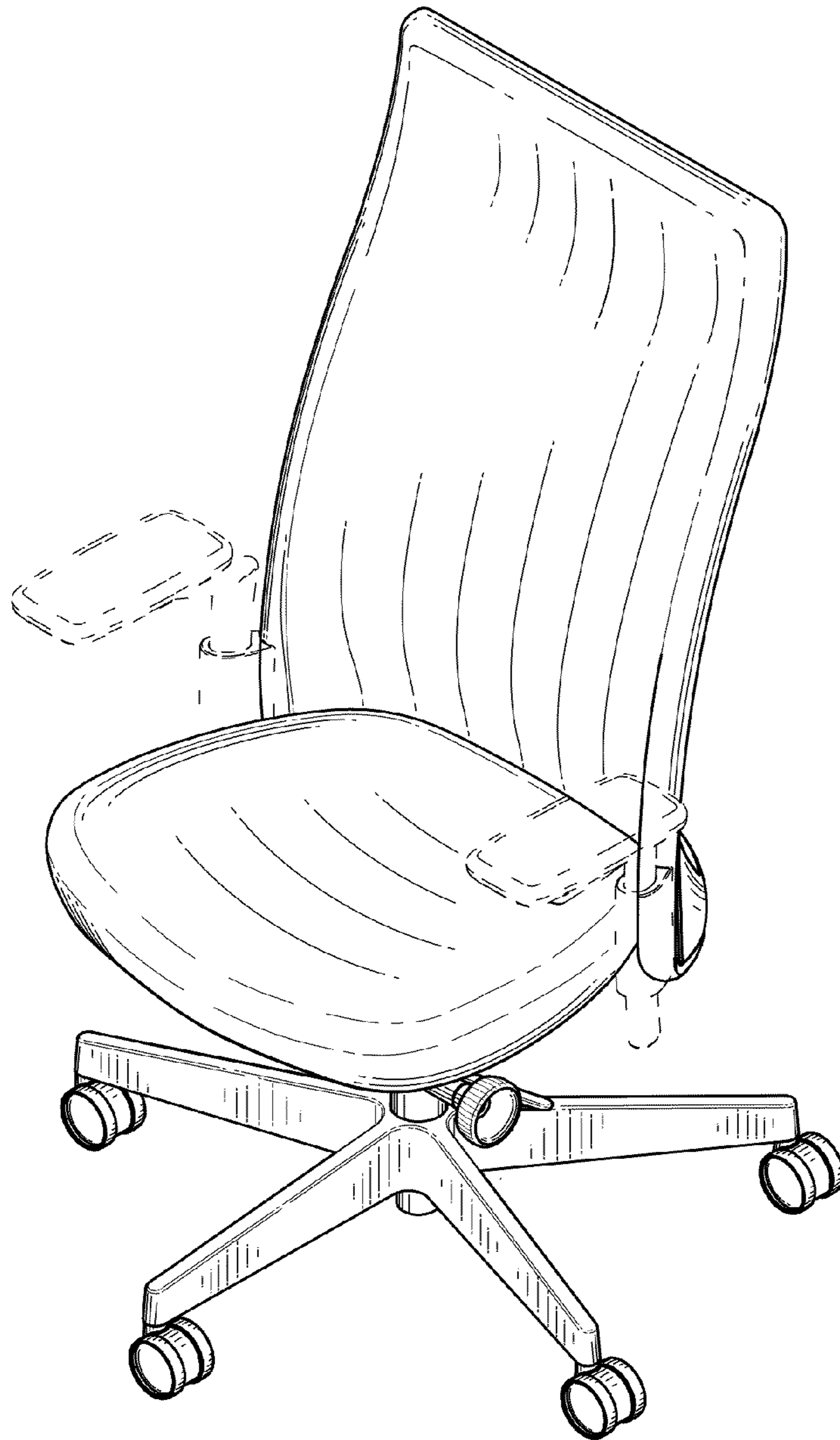


FIGURE 7

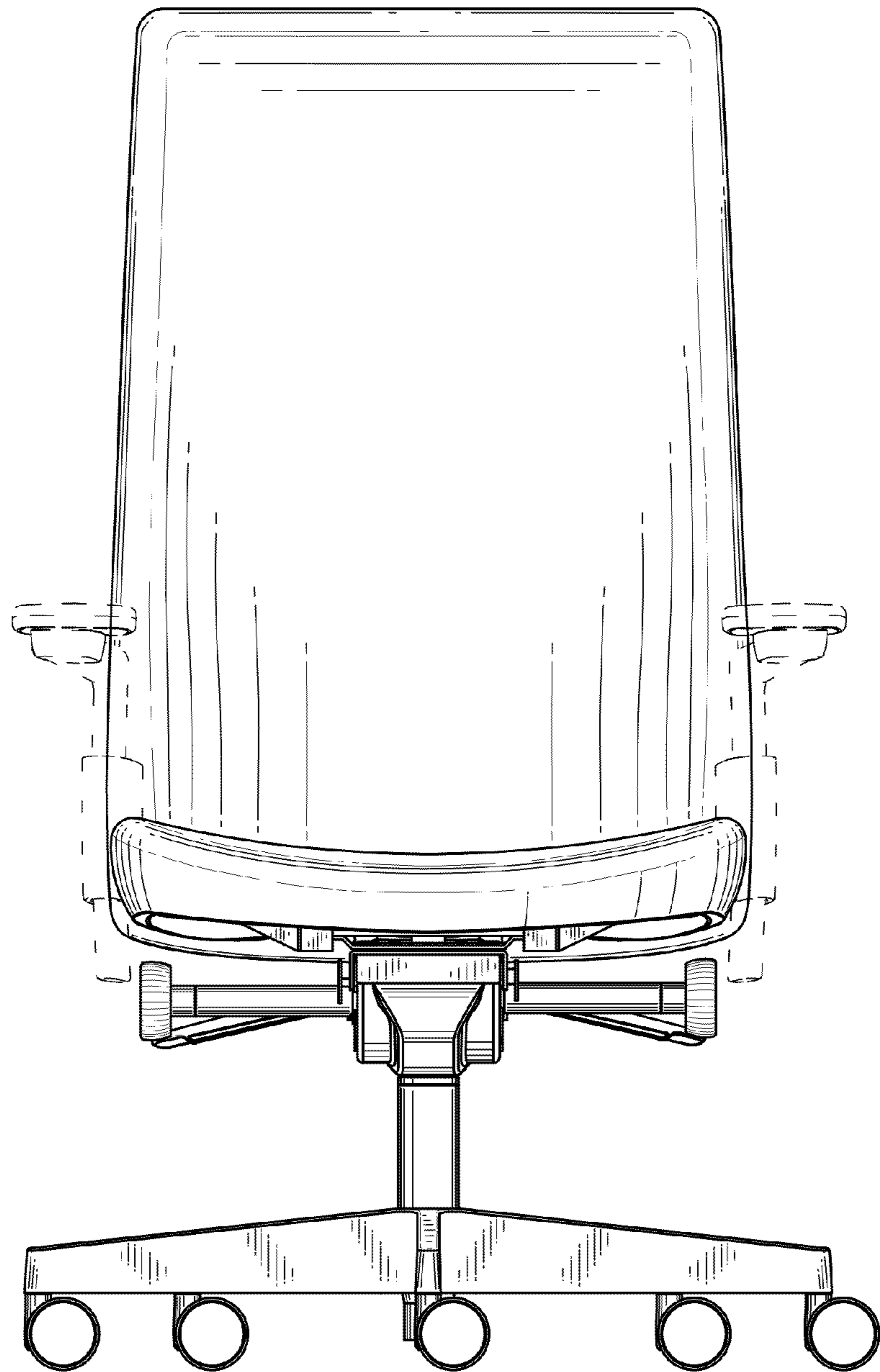


FIGURE 8

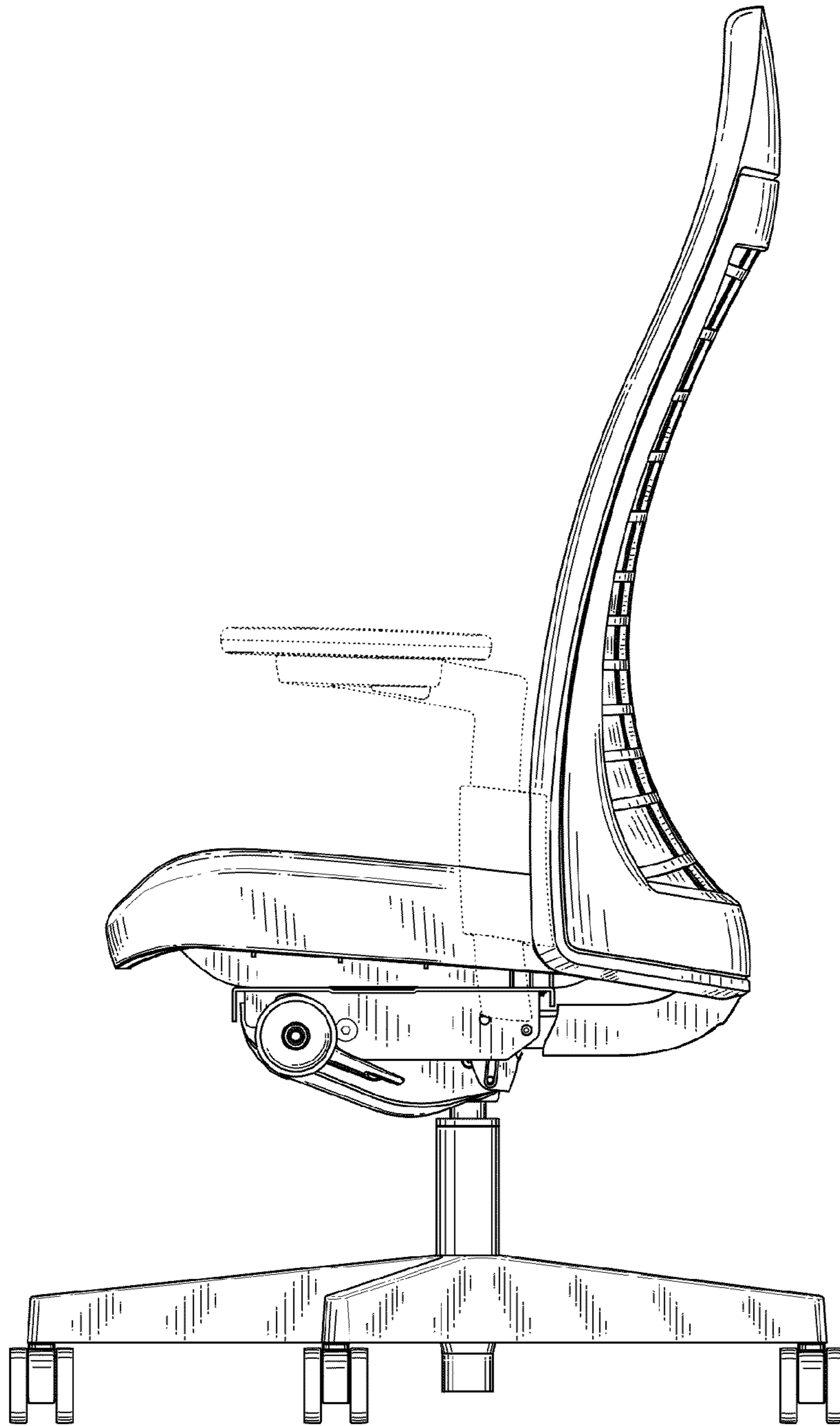


FIGURE 9

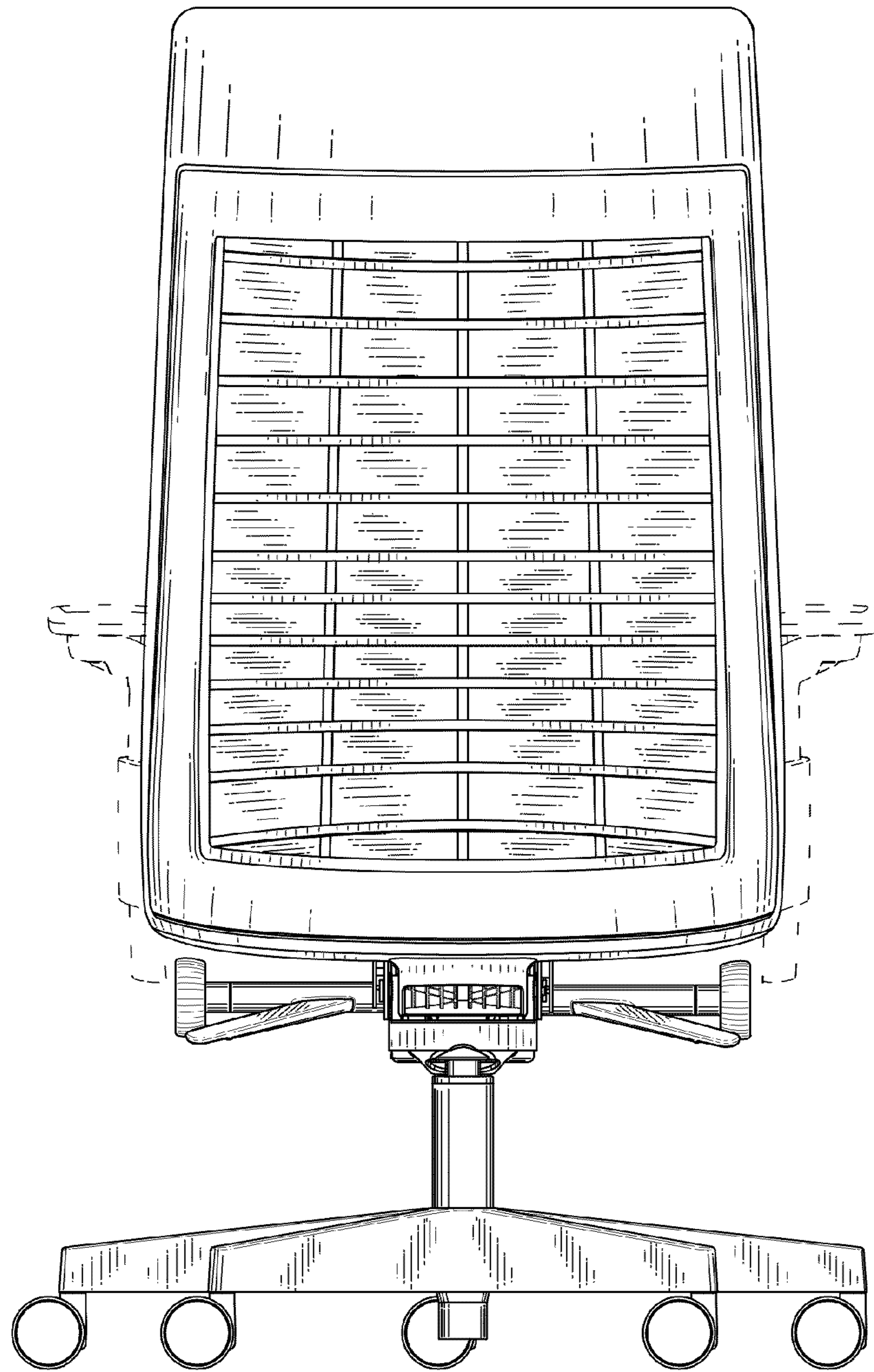


FIGURE 10

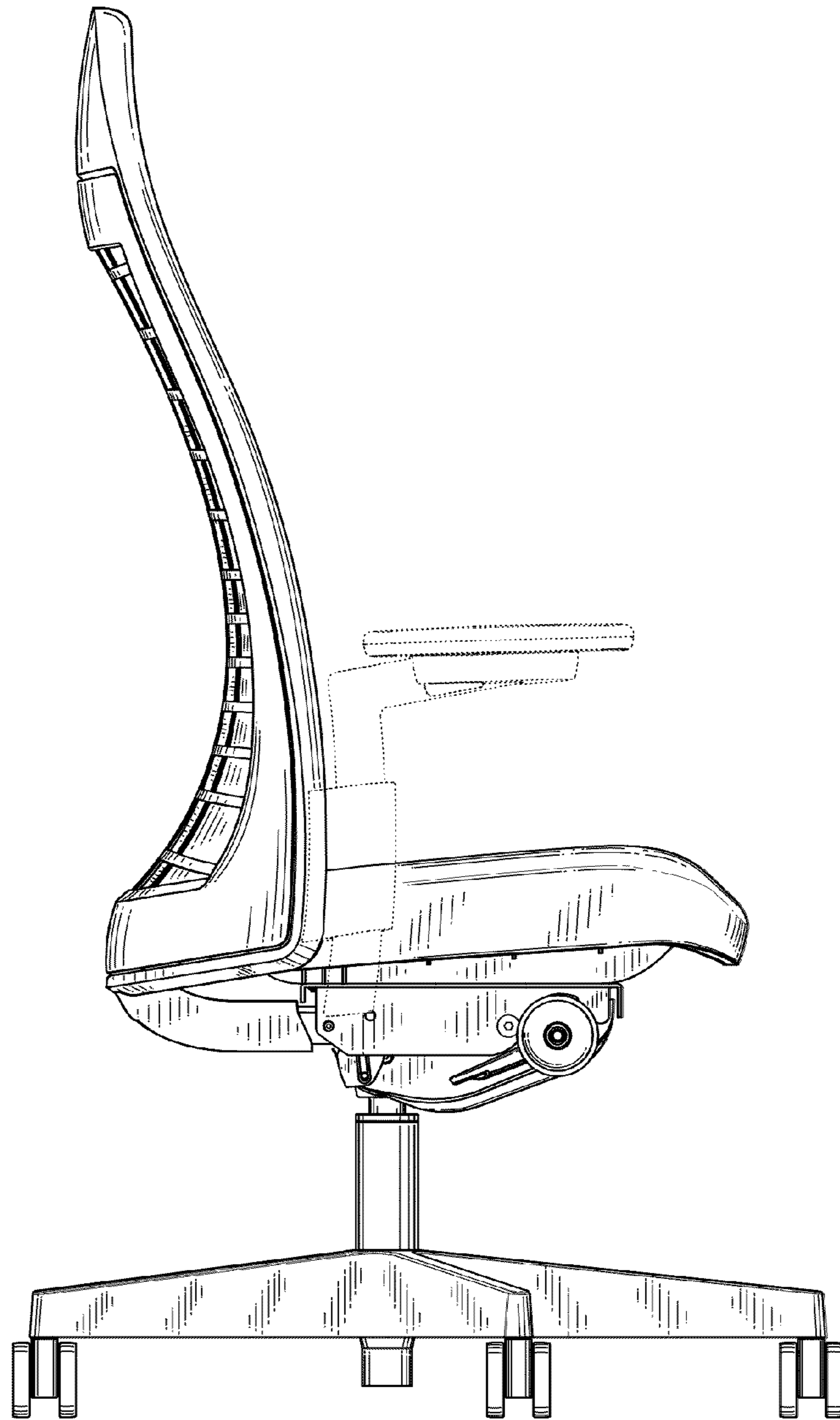


FIGURE 11

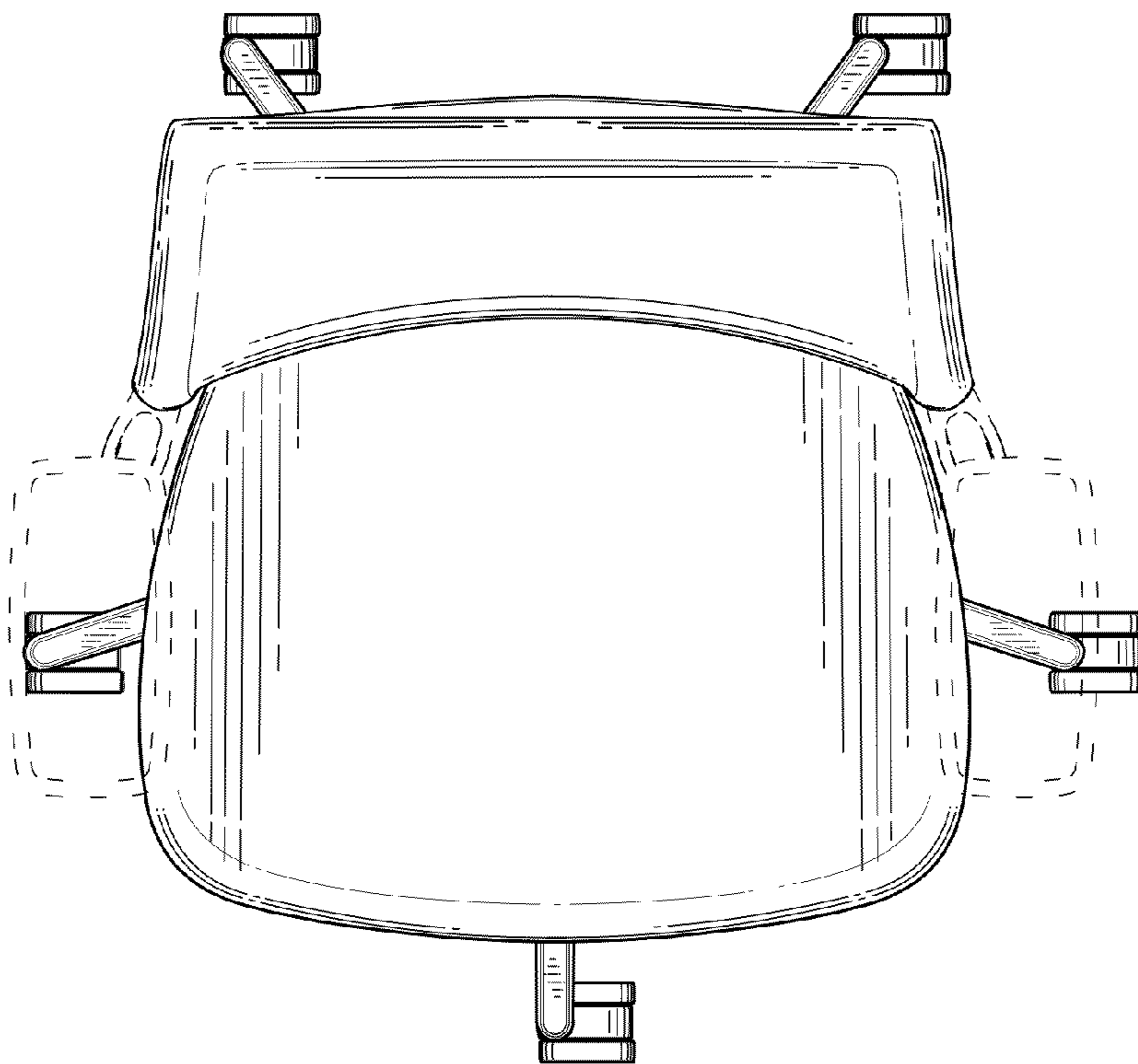


FIGURE 12