



US00D711126S

(12) **United States Design Patent**
Pierre

(10) **Patent No.:** **US D711,126 S**

(45) **Date of Patent:** **** Aug. 19, 2014**

(54) **COUCH**

(71) Applicant: **Boaz Pierre**, Altus, OK (US)

(72) Inventor: **Boaz Pierre**, Altus, OK (US)

(**) Term: **14 Years**

(21) Appl. No.: **29/456,341**

(22) Filed: **May 30, 2013**

(51) **LOC (10) Cl.** **06-01**

(52) **U.S. Cl.**
USPC **D6/361**

(58) **Field of Classification Search**
USPC D6/334–336, 361, 364, 371, 373, 375,
D6/377, 601, 716, 716.1, 716.2, 716.3,
D6/716.4; 297/423.1, 447.3, 448.1,
297/452.12, 452.17, 452.19, 452.41,
297/452.48; D21/687; D24/183; 5/652,
5/630, 656

See application file for complete search history.

(56) **References Cited**

U.S. PATENT DOCUMENTS

D7,355 S	4/1874	Carter	
D176,045 S	11/1944	Sherman	
D218,888 S *	10/1970	Blank	D6/601
3,680,917 A *	8/1972	Harris	4/54
4,027,888 A *	6/1977	Wilcox	3/16
D256,408 S *	8/1980	Nakisbendi	D6/361
D274,576 S *	7/1984	Tiffany	D6/335
D278,004 S *	3/1985	Sigona	D6/361
D301,166 S *	5/1989	Miklja	D24/183
D353,173 S *	12/1994	Almeda	D21/687
D356,919 S *	4/1995	Nadeau	D6/601
D361,905 S *	9/1995	Adams et al.	D6/375
D363,828 S *	11/1995	Lockwood	D6/375

D372,805 S *	8/1996	Bonaddio et al.	D6/375
D381,855 S *	8/1997	Galick	D6/601
D390,021 S	2/1998	Smith	
D444,305 S	7/2001	Mourgue	
D472,067 S	3/2003	Nicoletti	
D487,553 S *	3/2004	Morikawa	D6/601
D530,933 S *	10/2006	Vitaro	D6/361
D550,974 S	9/2007	Thornbury	
D557,912 S	12/2007	Mourgue	
D597,337 S	8/2009	Natuzzi	
D643,638 S	8/2011	Weichselbaumer	
D643,639 S	8/2011	Lewis	
D688,053 S *	8/2013	Chiu	D6/361

OTHER PUBLICATIONS

<http://www.designsponge.com/2006/05/parsons-design-review.html>.

* cited by examiner

Primary Examiner — Mimosa De

(74) *Attorney, Agent, or Firm* — QuickPatents; Kevin Prince

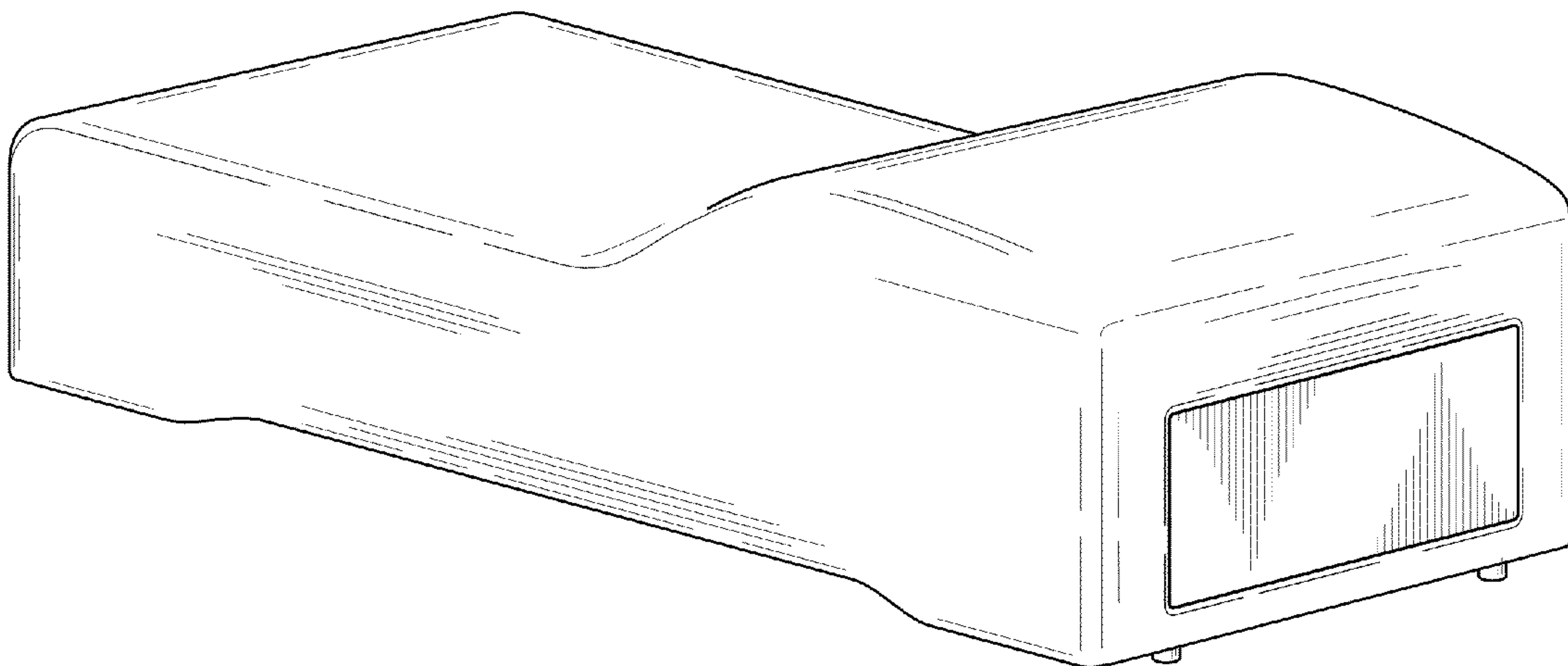
(57) **CLAIM**

I claim the ornamental design for a couch, as shown and described.

DESCRIPTION

FIG. 1 is a perspective view of a couch, showing my new design;
FIG. 2 is a right-side elevational view of FIG. 1;
FIG. 3 is a left-side elevational view of FIG. 1;
FIG. 4 is a front elevational view of FIG. 1, the rear elevational view being a mirror image thereof;
FIG. 5 is a top plan view of FIG. 1; and,
FIG. 6 is a bottom plan view of FIG. 1.

1 Claim, 3 Drawing Sheets



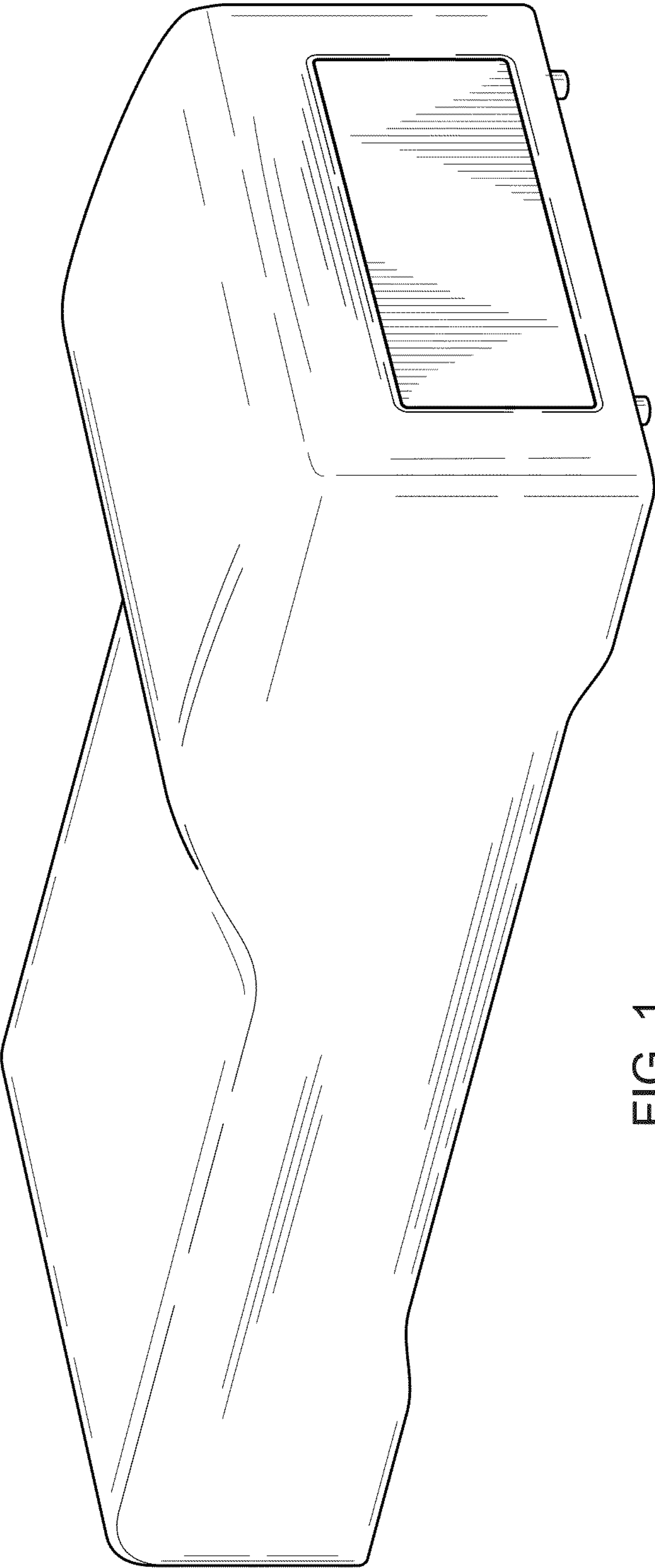


FIG. 1

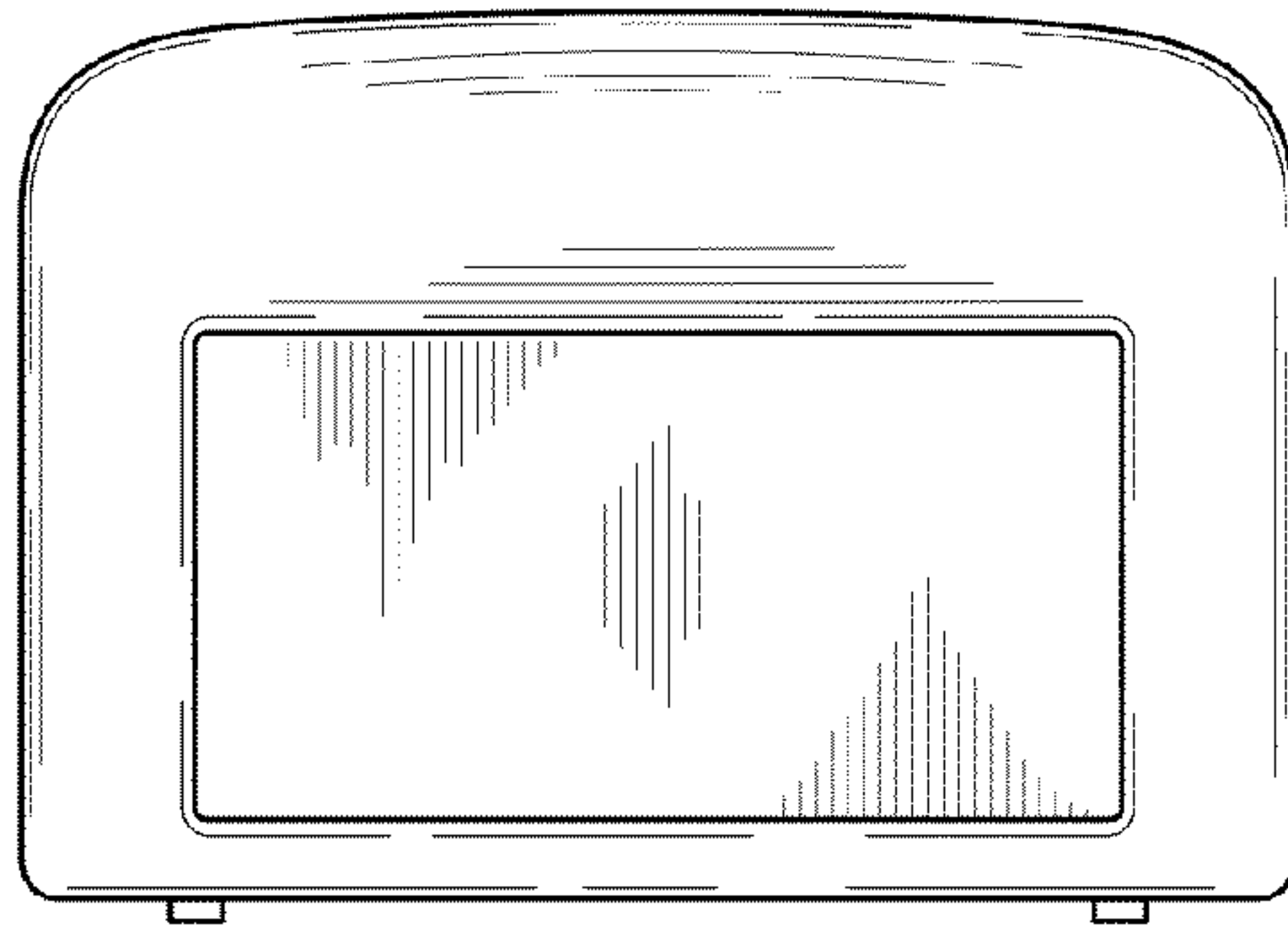


FIG. 2

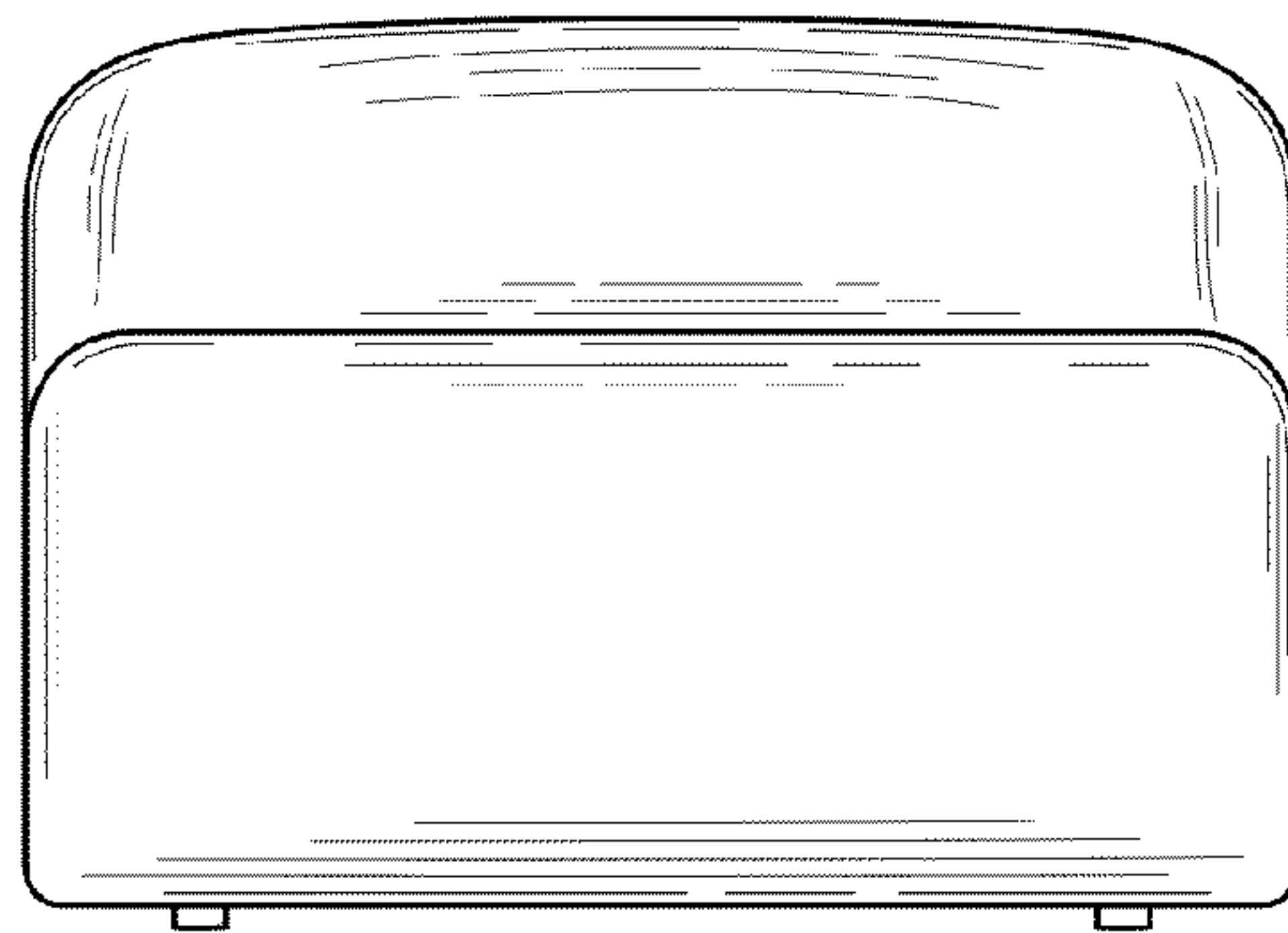


FIG. 3

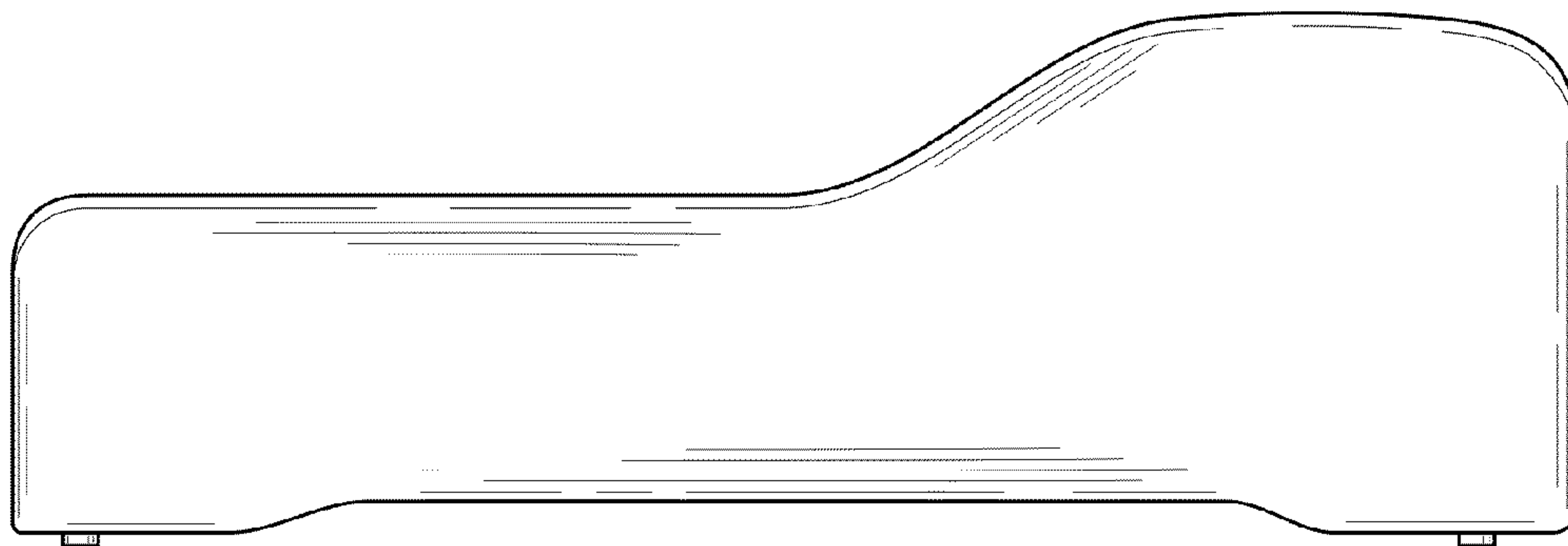


FIG. 4

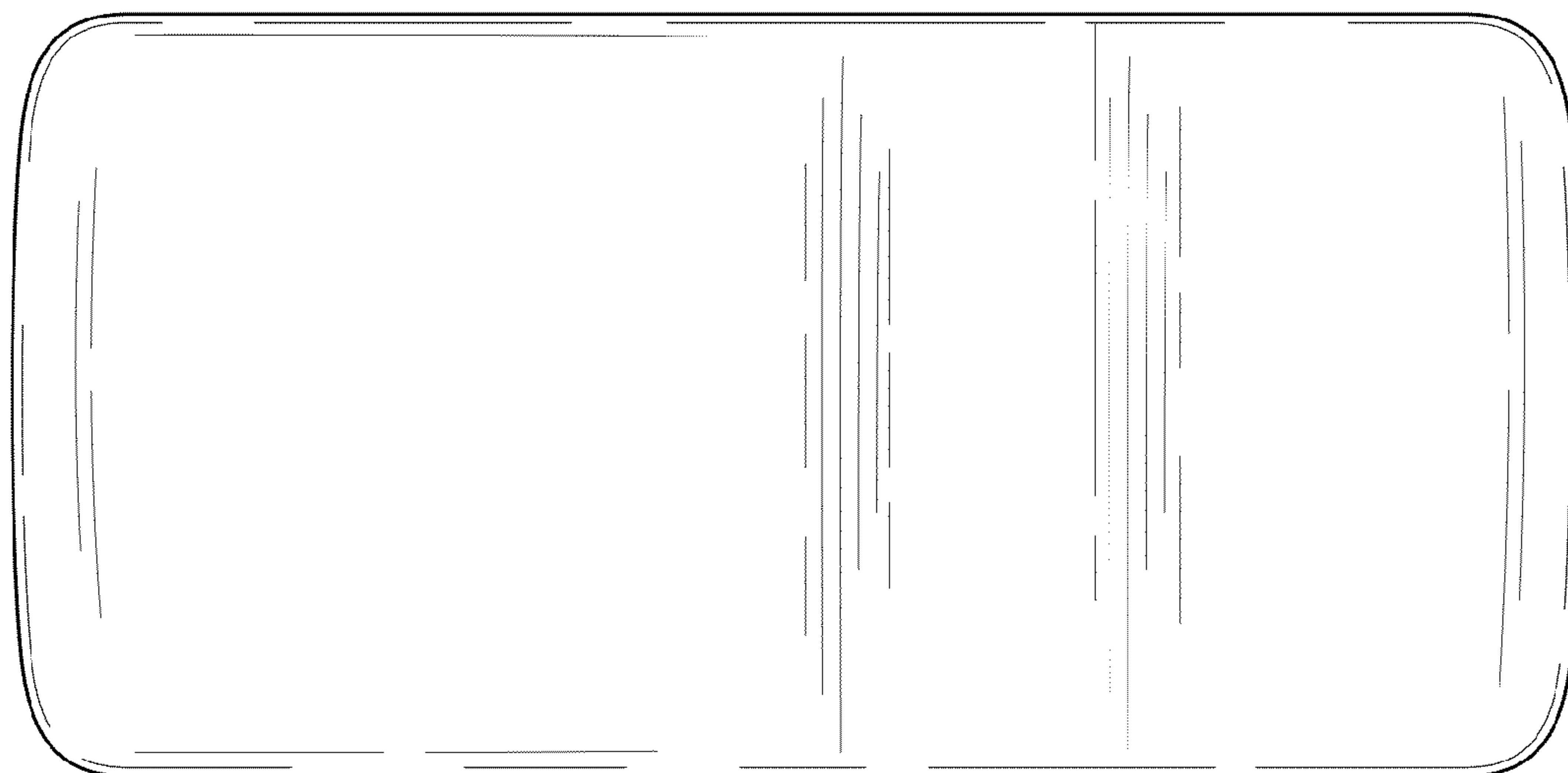


FIG. 5



FIG. 6