



US00D711125S

(12) **United States Design Patent**
Nishida et al.

(10) **Patent No.:** **US D711,125 S**
(45) **Date of Patent:** **** Aug. 19, 2014**

(54) **VEHICLE SEAT**

- (71) Applicants: **Shunsuke Nishida**, Ibaraki (JP);
Yasuhiro Yanagida, Kawasaki (JP);
Hirofumi Wada, Shimotsuke (JP)
- (72) Inventors: **Shunsuke Nishida**, Ibaraki (JP);
Yasuhiro Yanagida, Kawasaki (JP);
Hirofumi Wada, Shimotsuke (JP)
- (73) Assignee: **Komatsu Ltd.**, Tokyo (JP)
- (**) Term: **14 Years**
- (21) Appl. No.: **29/457,733**
- (22) Filed: **Jun. 12, 2013**
- (51) **LOC (10) CI.** **06-01**
- (52) **U.S. Cl.**
USPC **D6/356**
- (58) **Field of Classification Search**
USPC D6/333-336, 344-356, 360-381, 388,
D6/403, 491-502, 692, 708, 708.21, 716,
D6/716.2-716.4; 297/256.16, 271.6,
297/284.4-284.5, 291, 297, 302.4, 353,
297/344.1, 354.1, 362.13, 396, 411.2,
297/411.27-411.29, 411.43, 423.1, 423.12,
297/440.11, 440.15, 440.21-440.24, 448.1,
297/451.4, 452.13, 452.19, 452.21, 452.27,
297/452.29, 452.3, 452.41, 452.56, 452.64,
297/474
See application file for complete search history.

(56) **References Cited**

U.S. PATENT DOCUMENTS

D426,392 S *	6/2000	Ott et al.	D6/356
D460,279 S *	7/2002	Moburg	D6/356
D478,221 S *	8/2003	Pfeiffer et al.	D6/356
D507,122 S *	7/2005	Beermann	D6/356

(Continued)

FOREIGN PATENT DOCUMENTS

CN	201030154471 S	11/2010
EP	0012088620004 S	10/2012
EP	0012088620005 S	10/2012

Primary Examiner — Ricky Pham

(74) *Attorney, Agent, or Firm* — Faegre Baker Daniels LLP

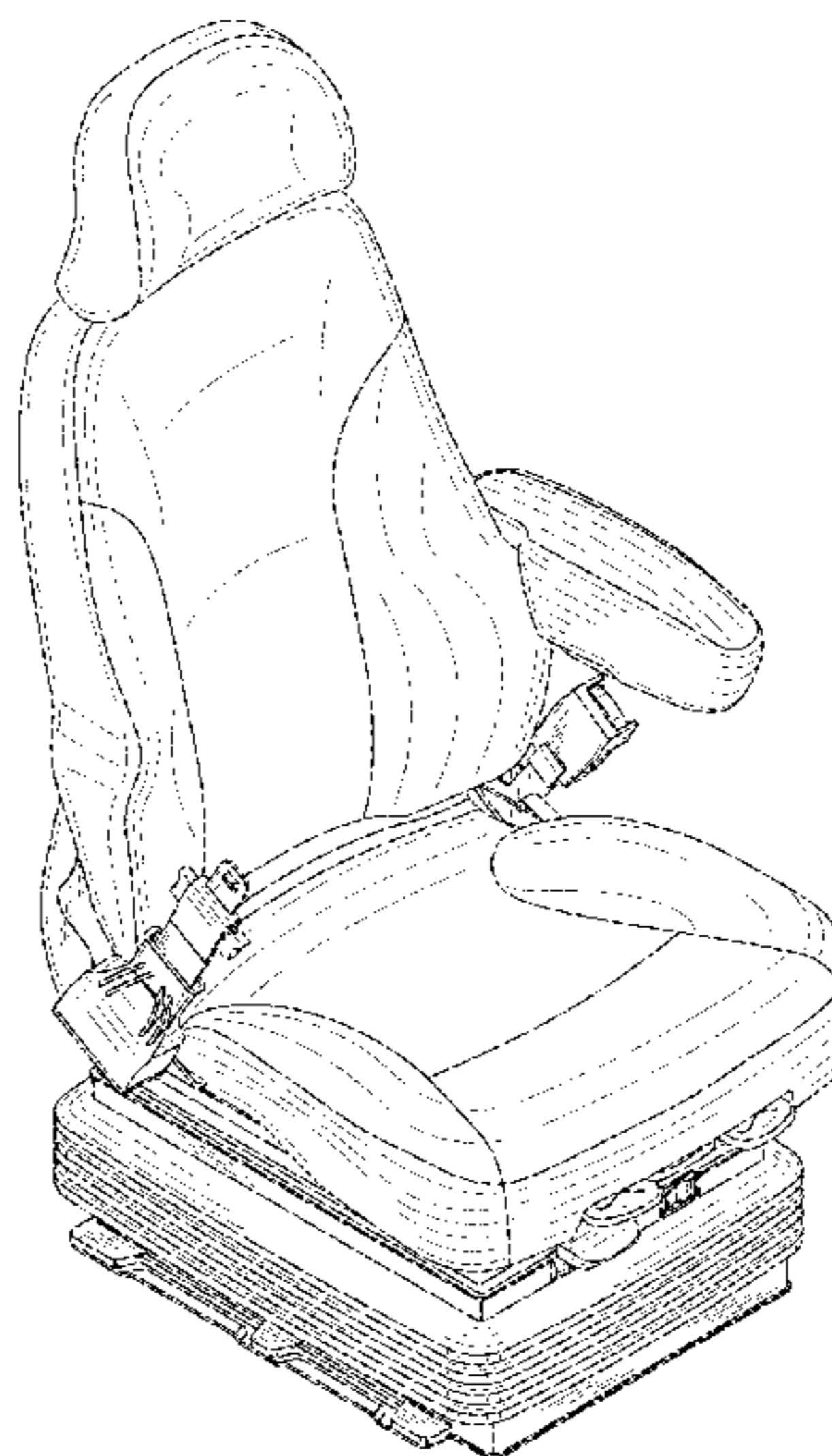
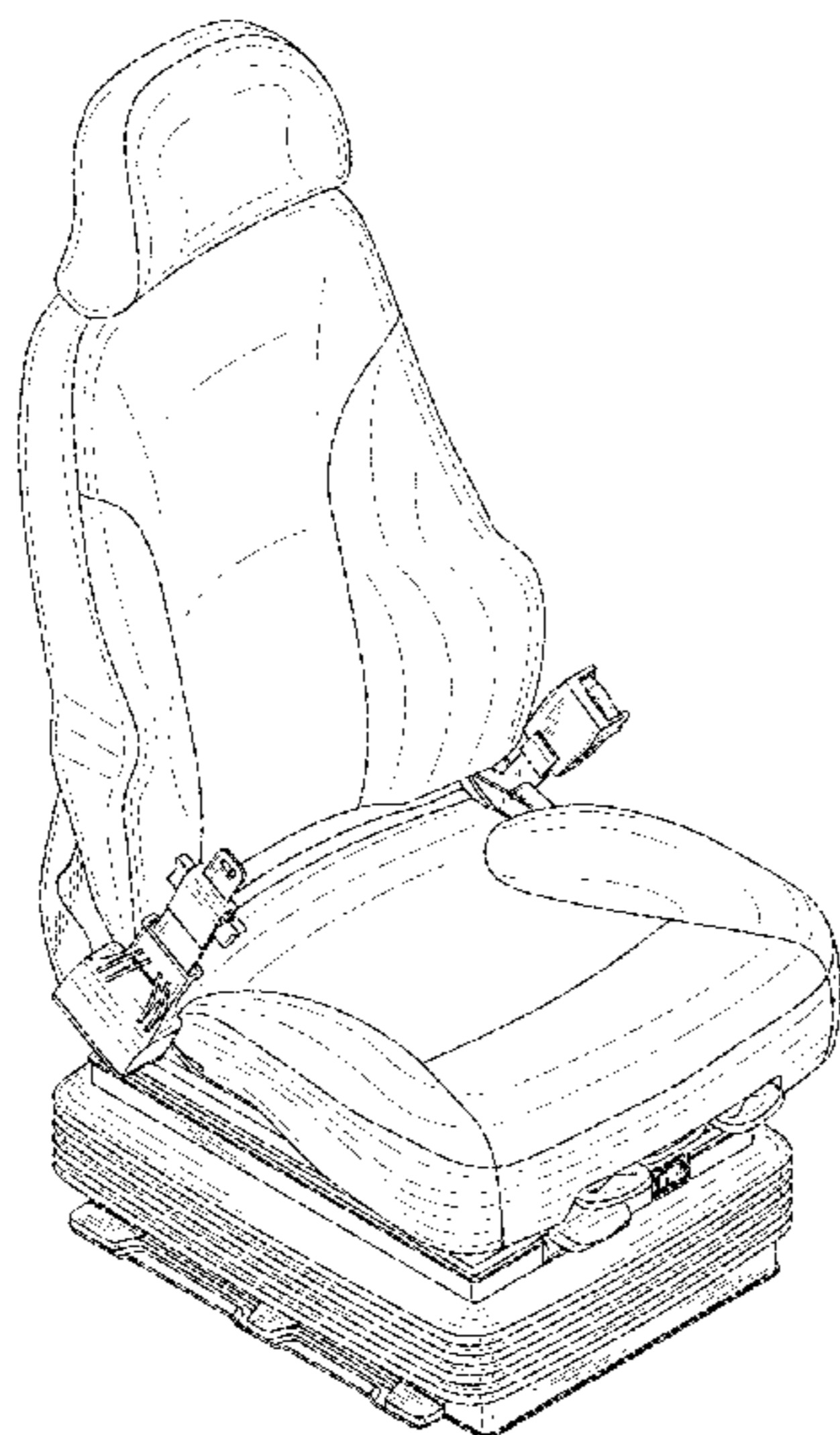
(57) **CLAIM**

The ornamental design for a vehicle seat, as shown and described.

DESCRIPTION

FIG. 1 is a front, top and left side perspective view of a first embodiment of the vehicle seat showing our new design; FIG. 2 is a rear, top and left side perspective view thereof; FIG. 3 is a front view thereof; FIG. 4 is a rear view thereof; FIG. 5 is a top plan view thereof; FIG. 6 is a bottom plan view thereof; FIG. 7 is a right side view thereof; FIG. 8 is a left side view thereof; FIG. 9 is a front, top and left side perspective view of a second embodiment of the vehicle seat showing our new design; FIG. 10 is a rear, top and left side perspective view thereof; FIG. 11 is a front view thereof; FIG. 12 is a rear view thereof; FIG. 13 is a top plan view thereof; FIG. 14 is a bottom plan view thereof; FIG. 15 is a right side view thereof; FIG. 16 is a left side view thereof; FIG. 17 is a front, top and left side perspective view of a third embodiment of the vehicle seat showing our new design; FIG. 18 is a rear, top and left side perspective view thereof; FIG. 19 is a front view thereof; FIG. 20 is a rear view thereof; FIG. 21 is a top plan view thereof; FIG. 22 is a bottom plan view thereof; FIG. 23 is a right side view thereof; and, FIG. 24 is a left side view thereof.

1 Claim, 24 Drawing Sheets



(56)

References Cited

U.S. PATENT DOCUMENTS

D534,005 S * 12/2006 Beermann D6/356
D535,485 S * 1/2007 Moburg D6/356
D541,542 S * 5/2007 Yokoyama et al. D6/356
D578,785 S * 10/2008 Wyszogrod et al. D6/356
7,644,992 B2 * 1/2010 Becker et al. 297/474

D614,878 S * 5/2010 Higashida et al. D6/356
D650,187 S * 12/2011 Nakaminami et al. D6/356
D653,866 S 2/2012 Wada
D653,867 S 2/2012 Wada et al.
D661,115 S 6/2012 Wada et al.
D665,588 S 8/2012 Wada et al.
D682,571 S * 5/2013 Ali et al. D6/356
D695,558 S * 12/2013 Silverstein D6/708.21

* cited by examiner

FIG. 1

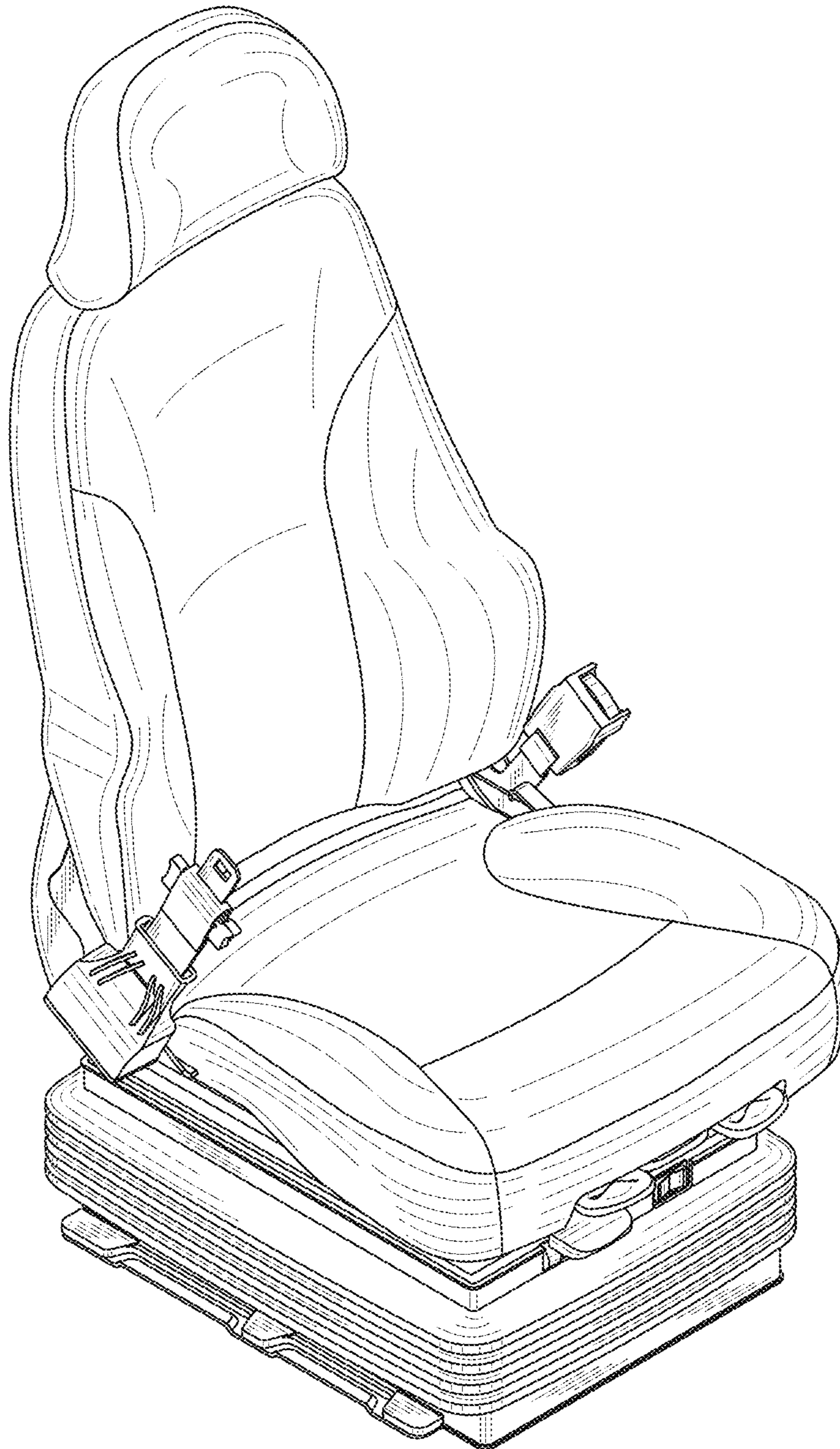


FIG. 2

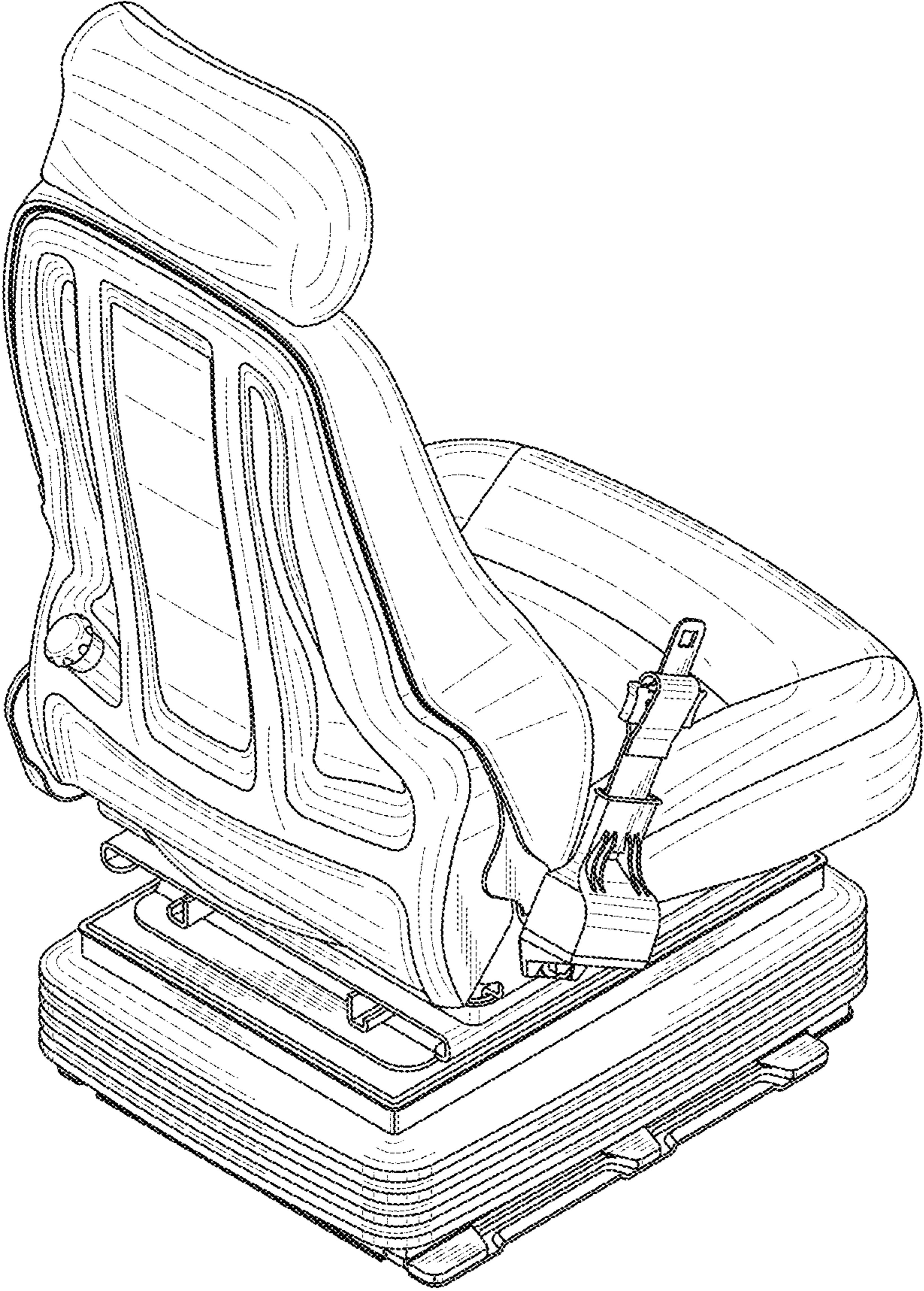


FIG. 3

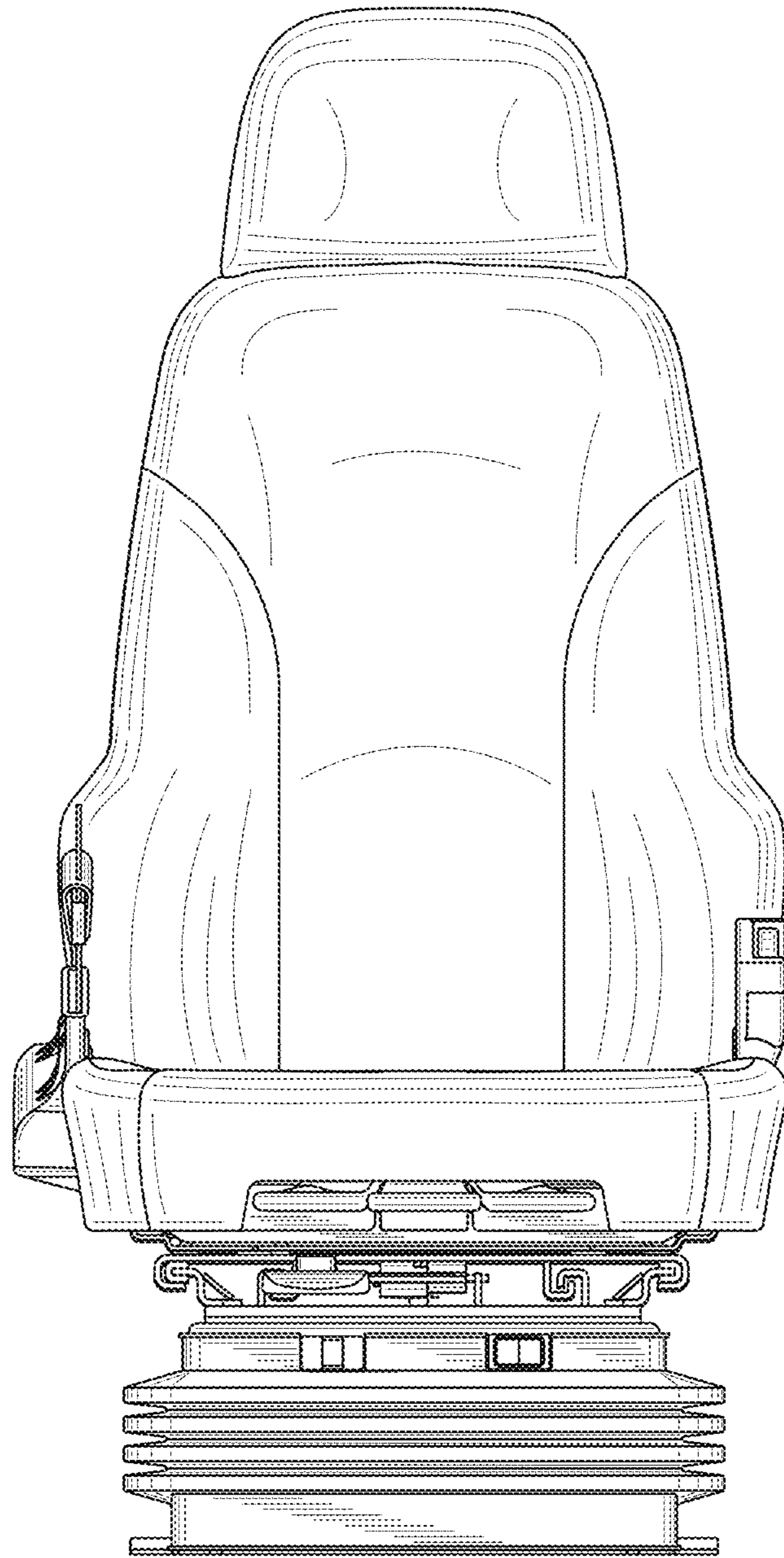


FIG. 4

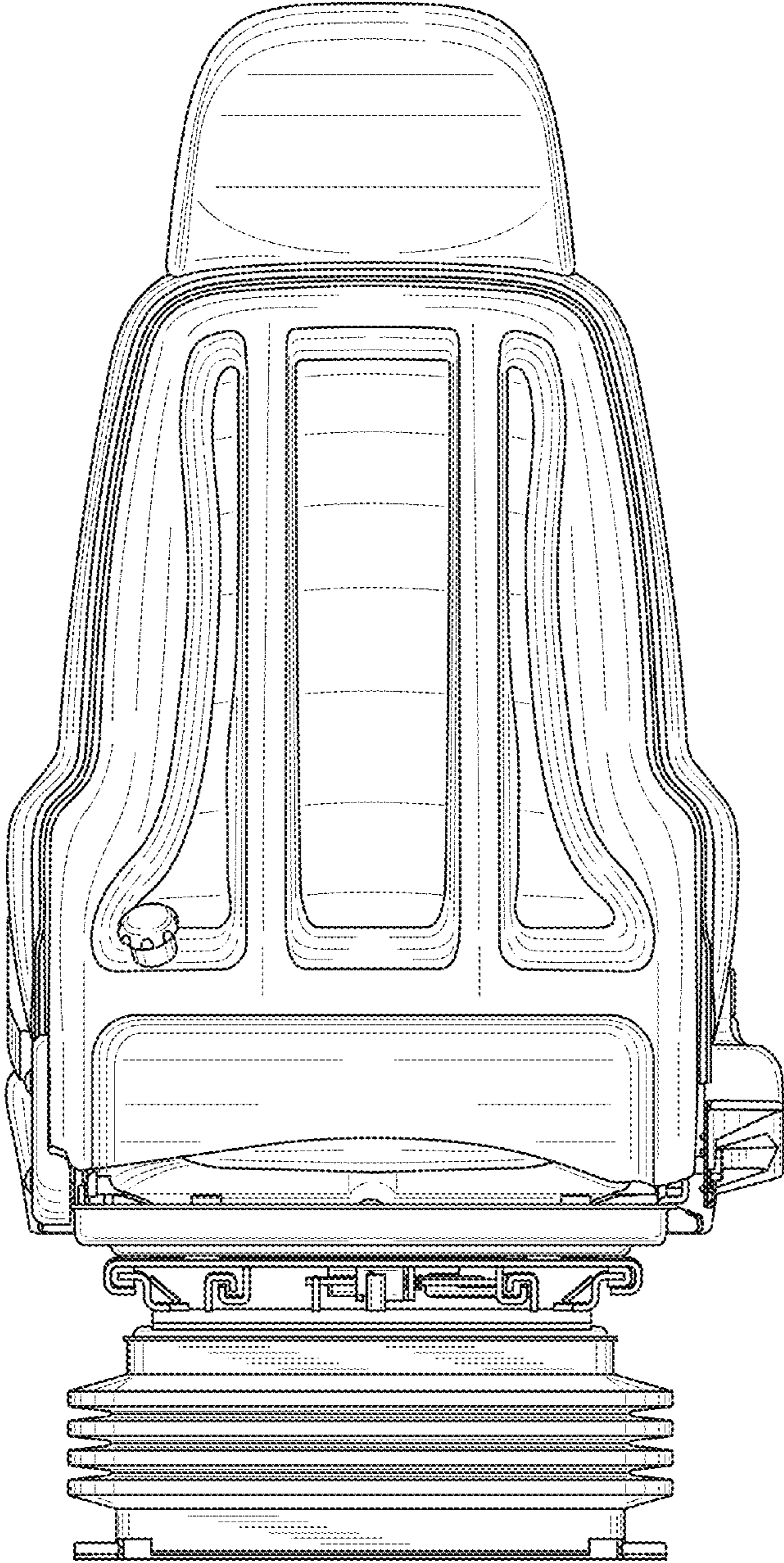


FIG. 5

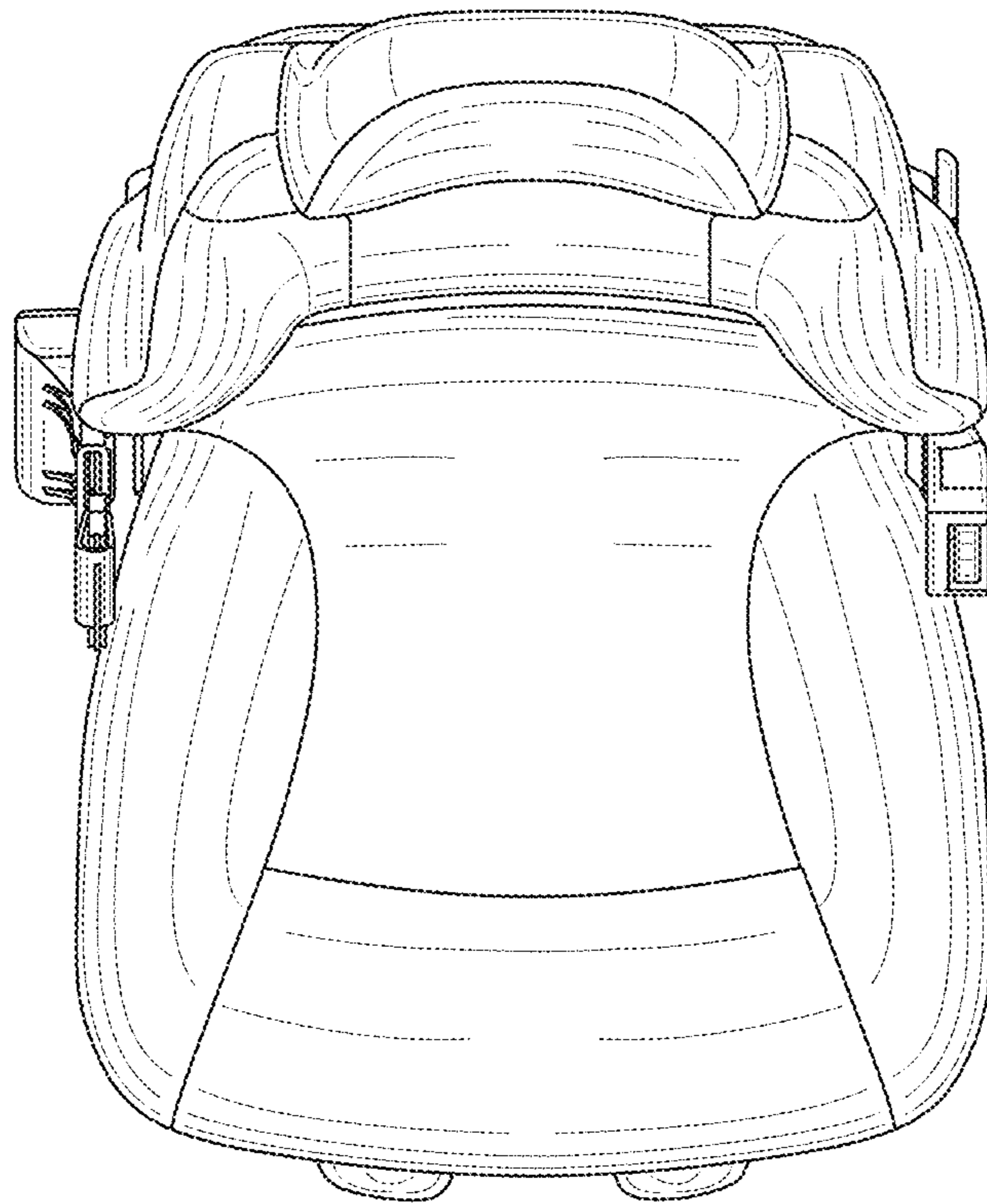


FIG. 6

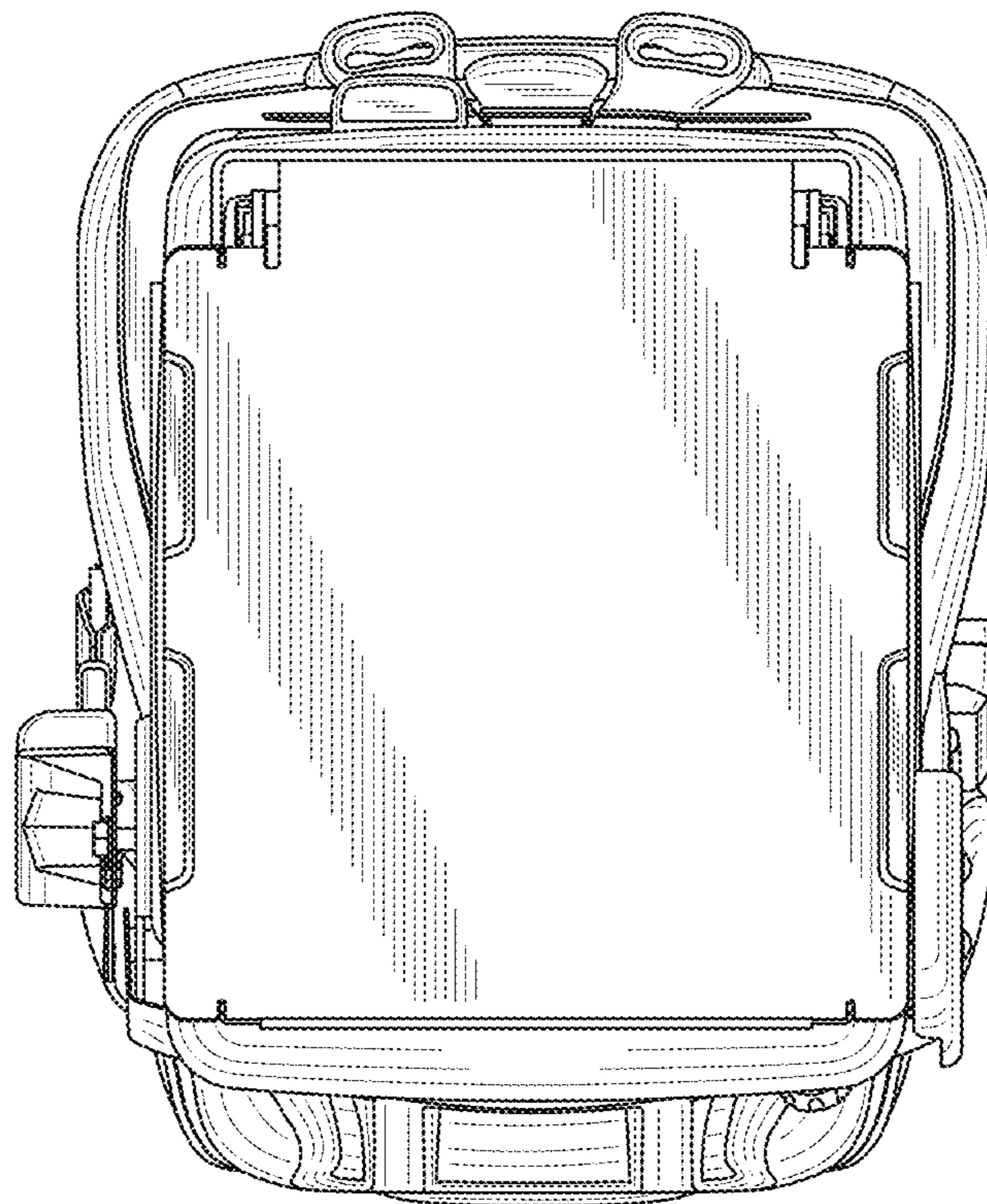


FIG. 7

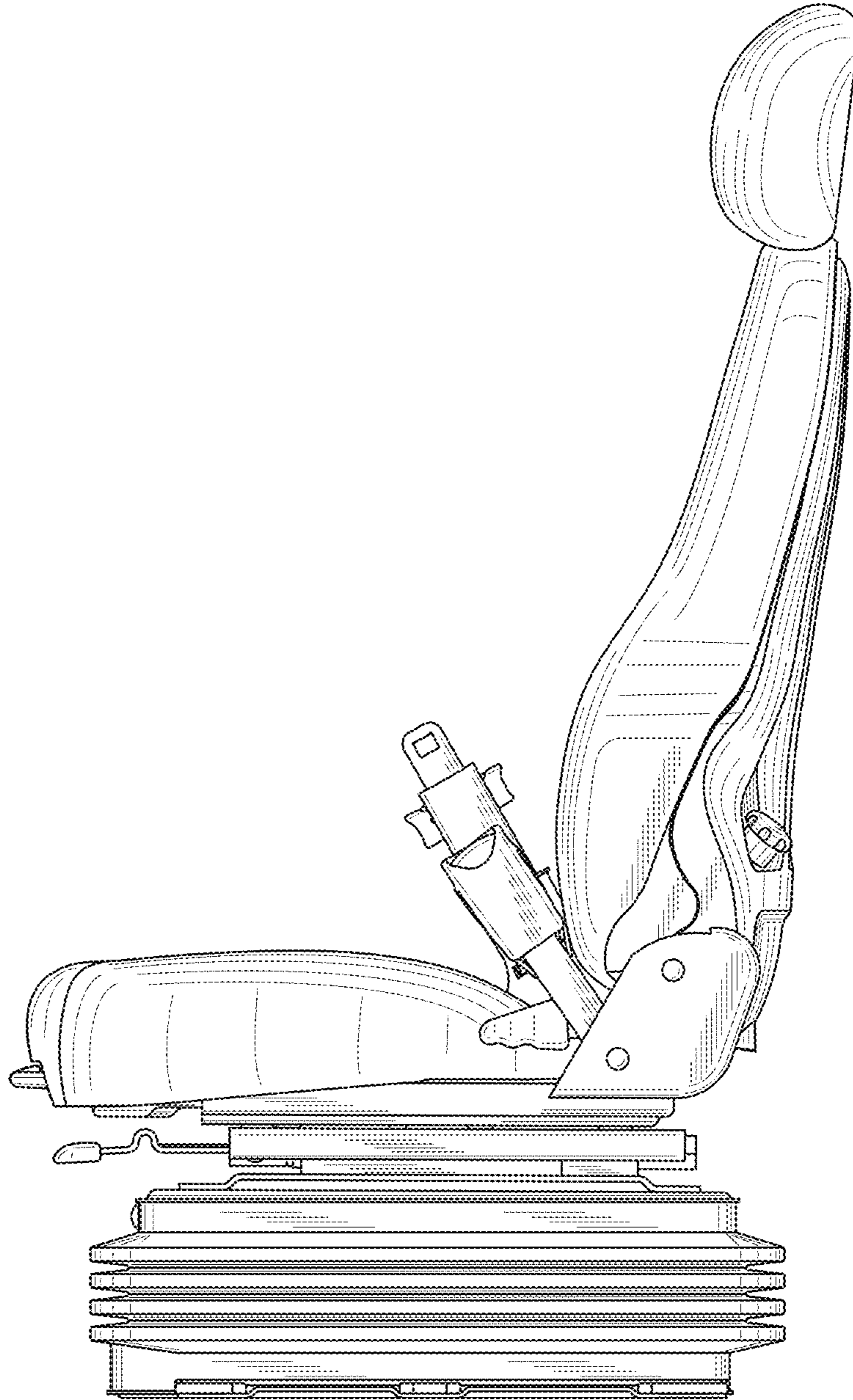


FIG. 8

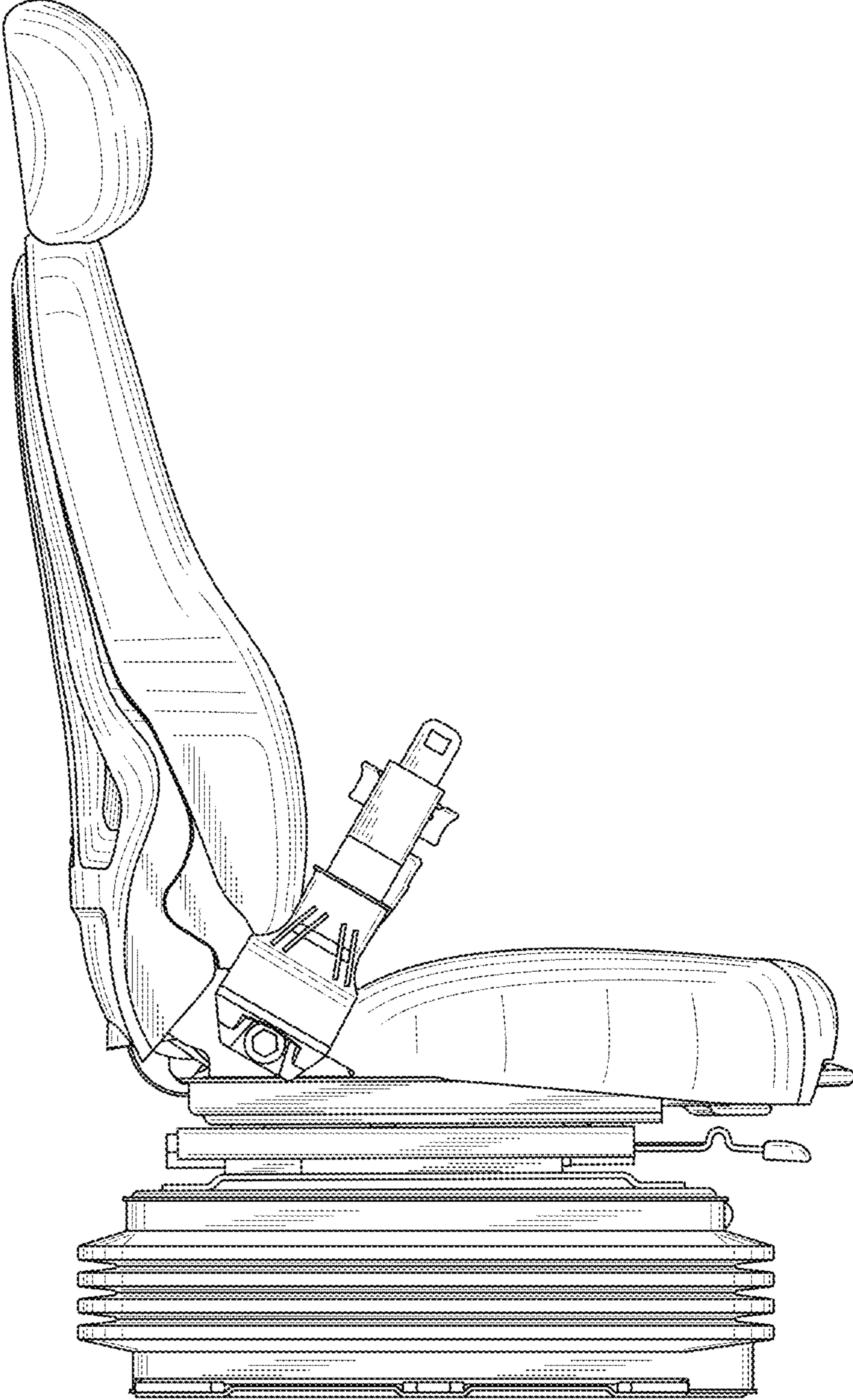


FIG. 9

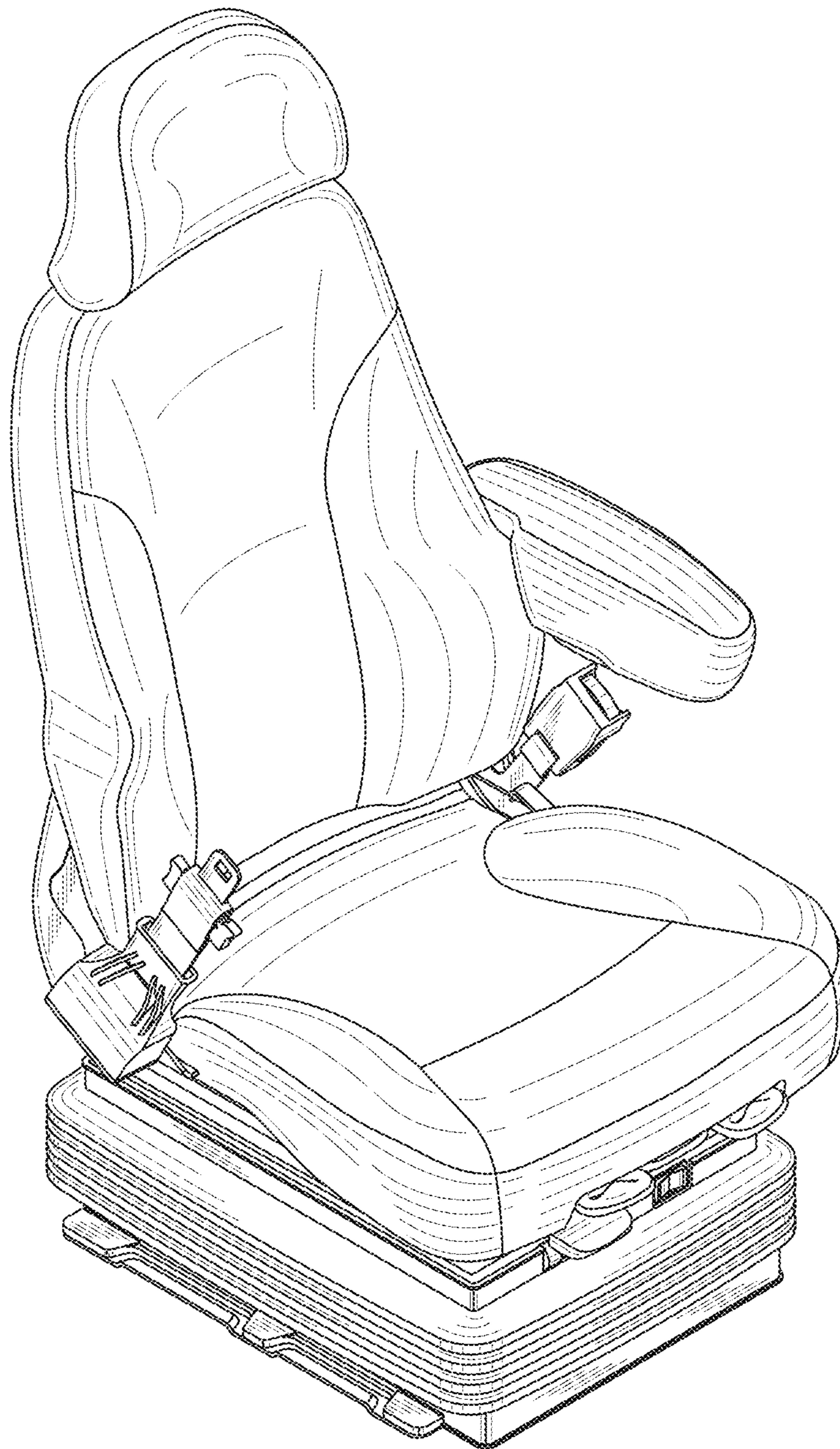


FIG. 10

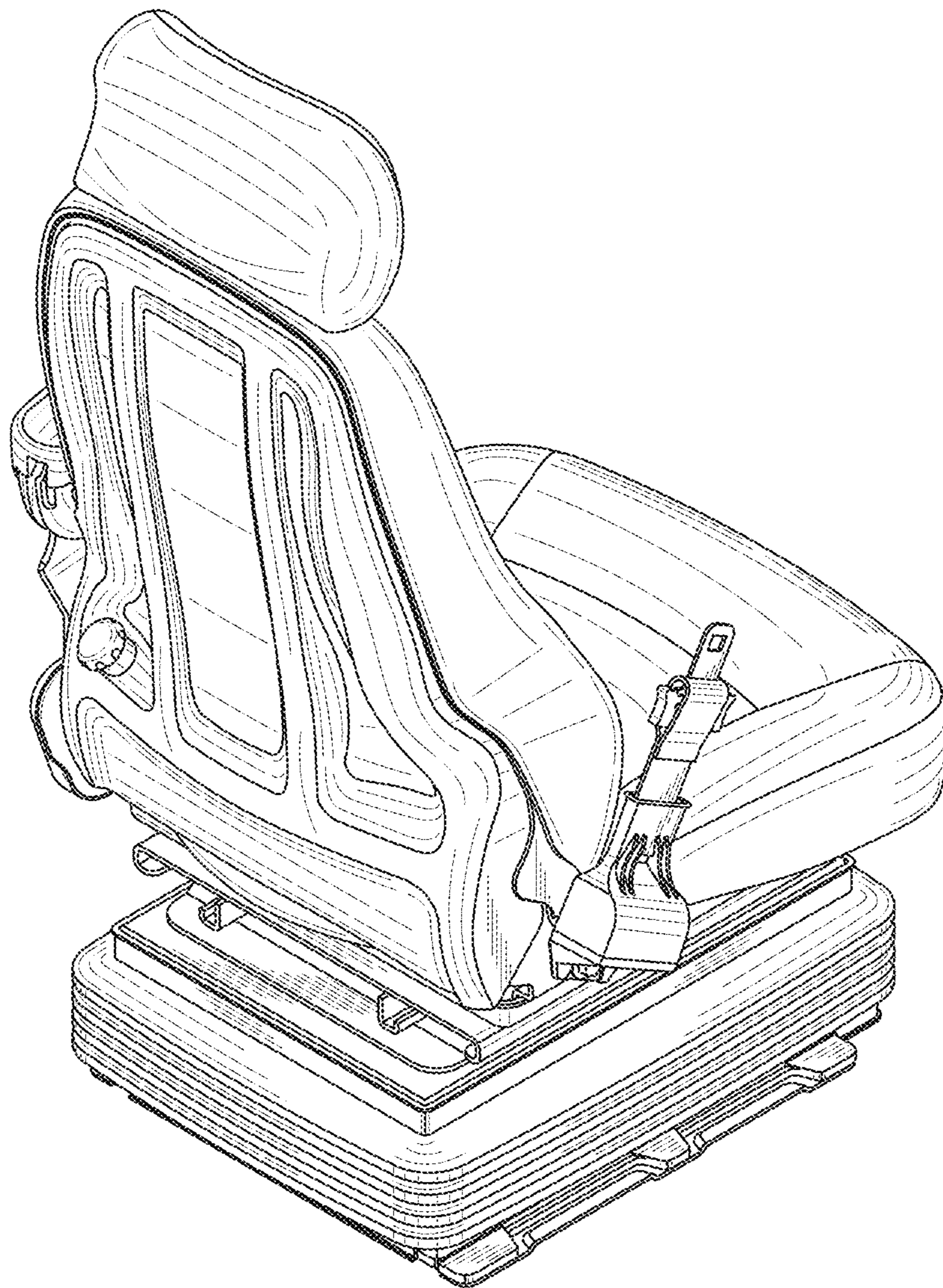


FIG. 11

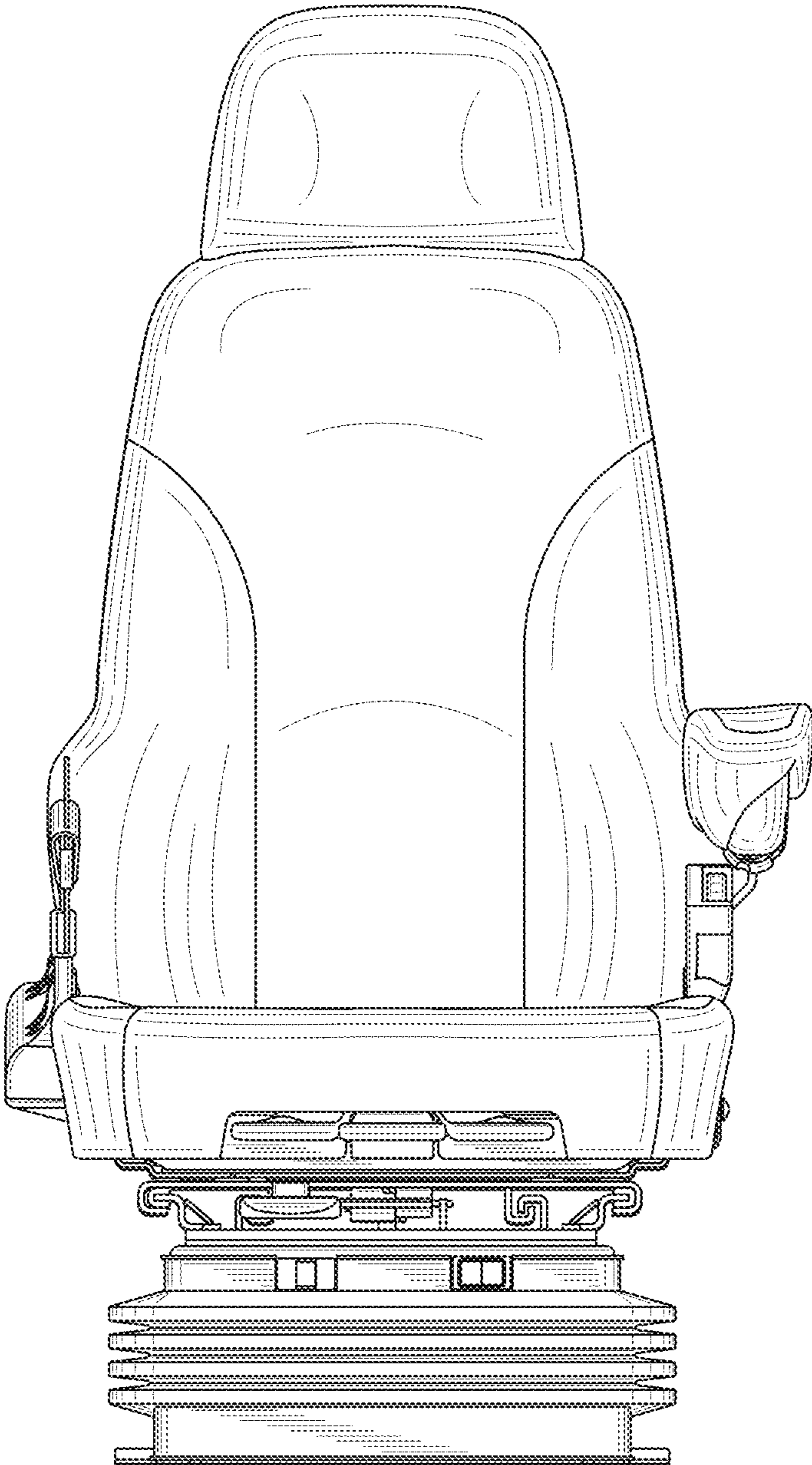


FIG. 12

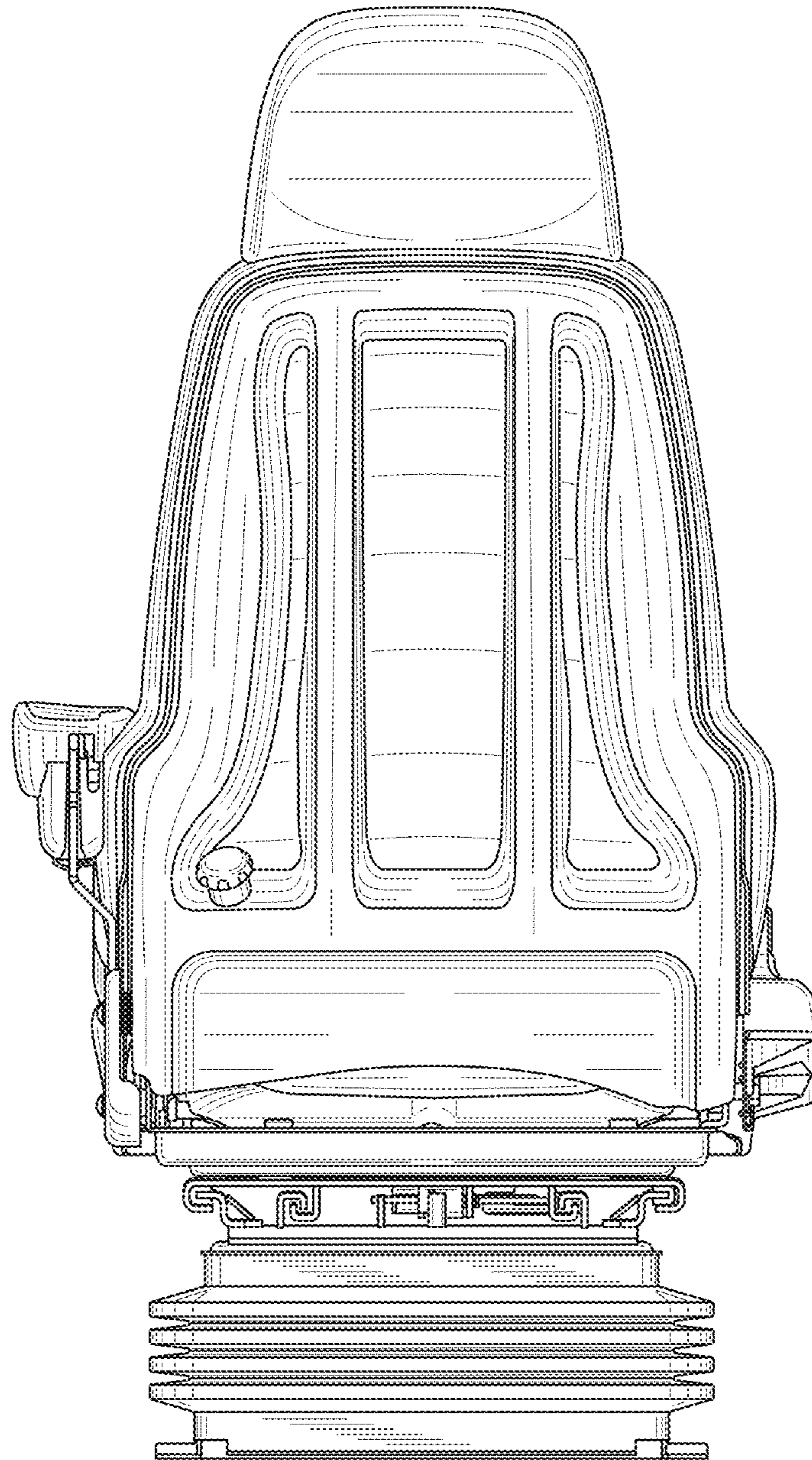


FIG. 13

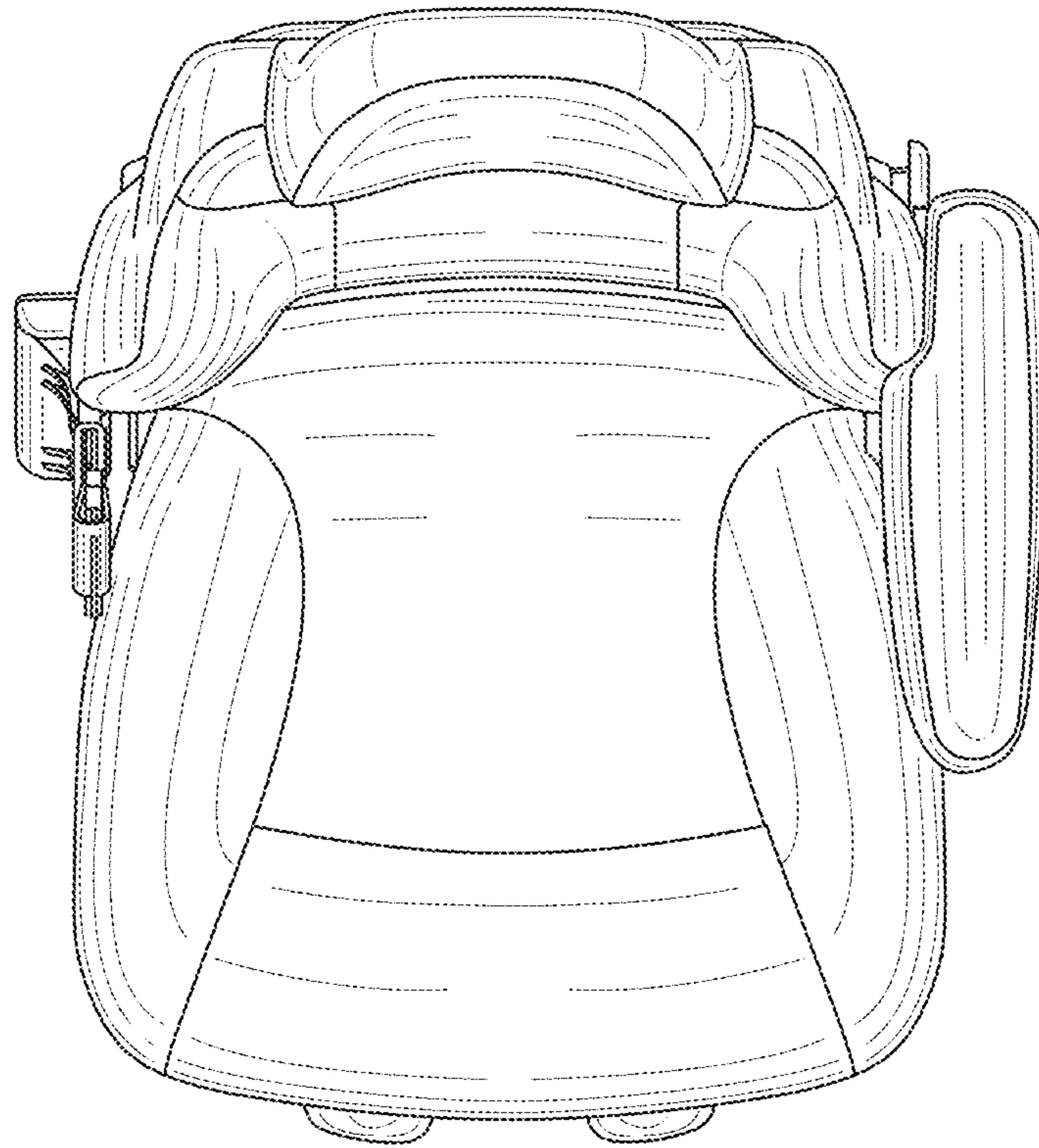


FIG. 14

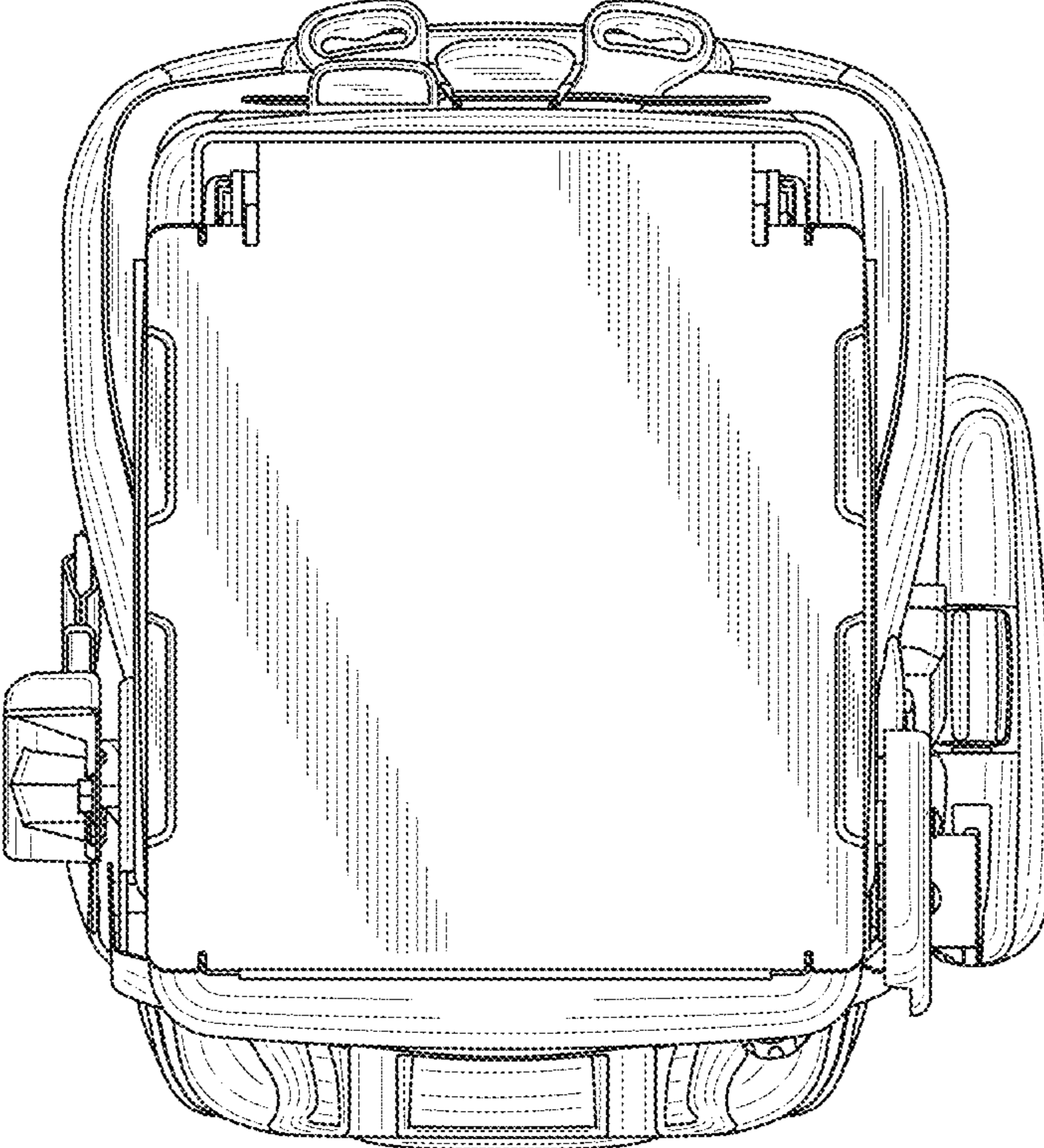


FIG. 15

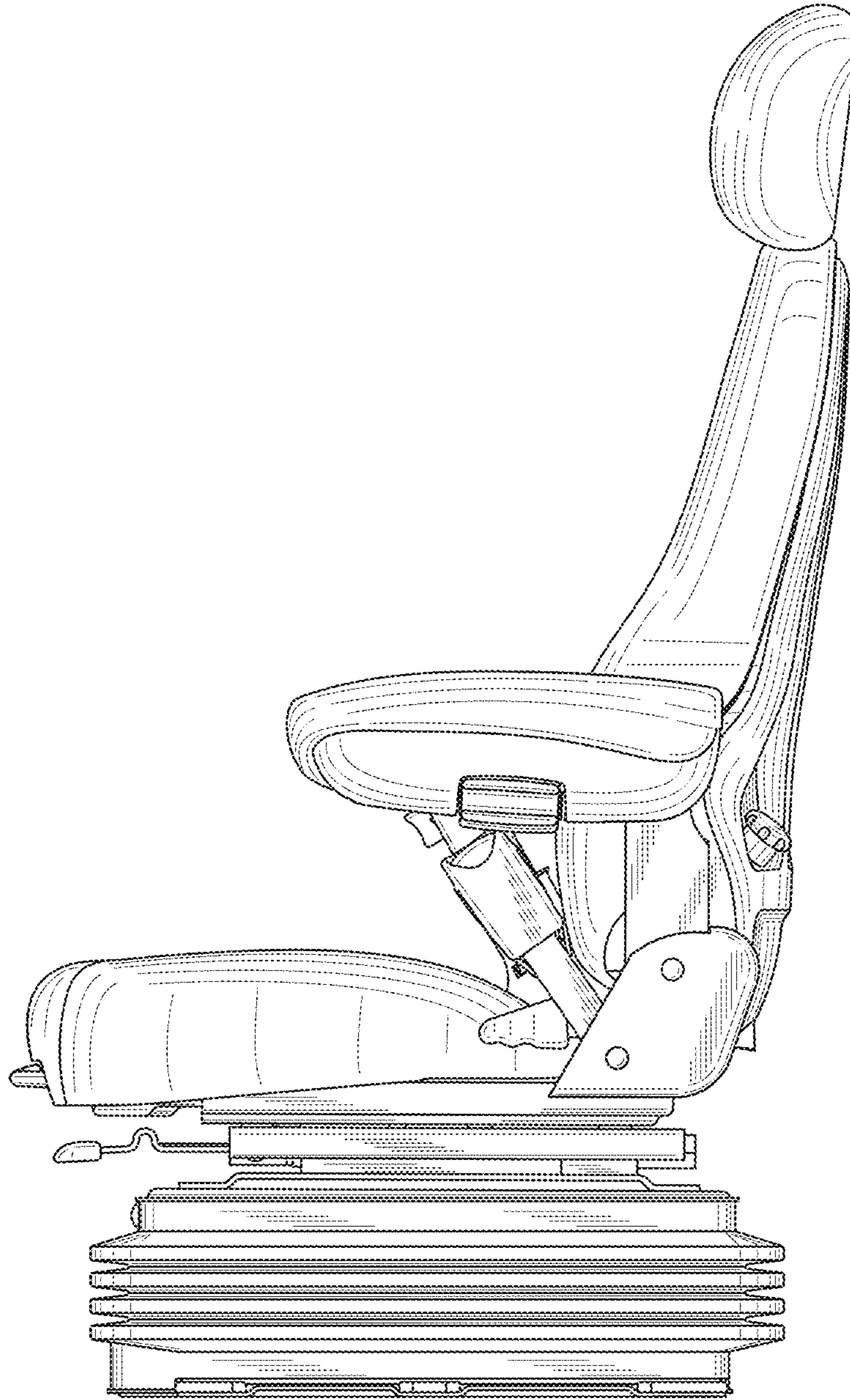


FIG. 16

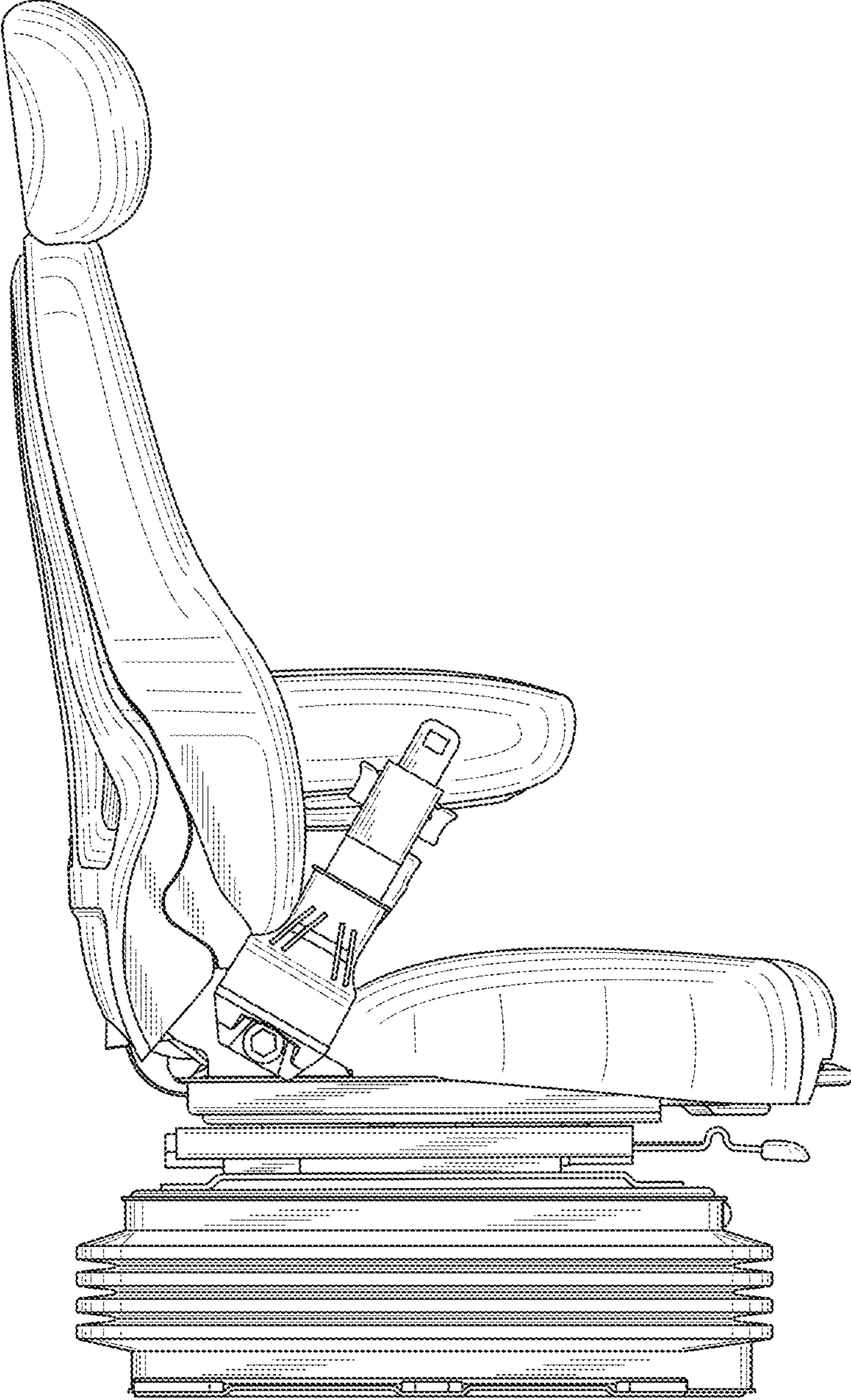


FIG. 17



FIG. 18

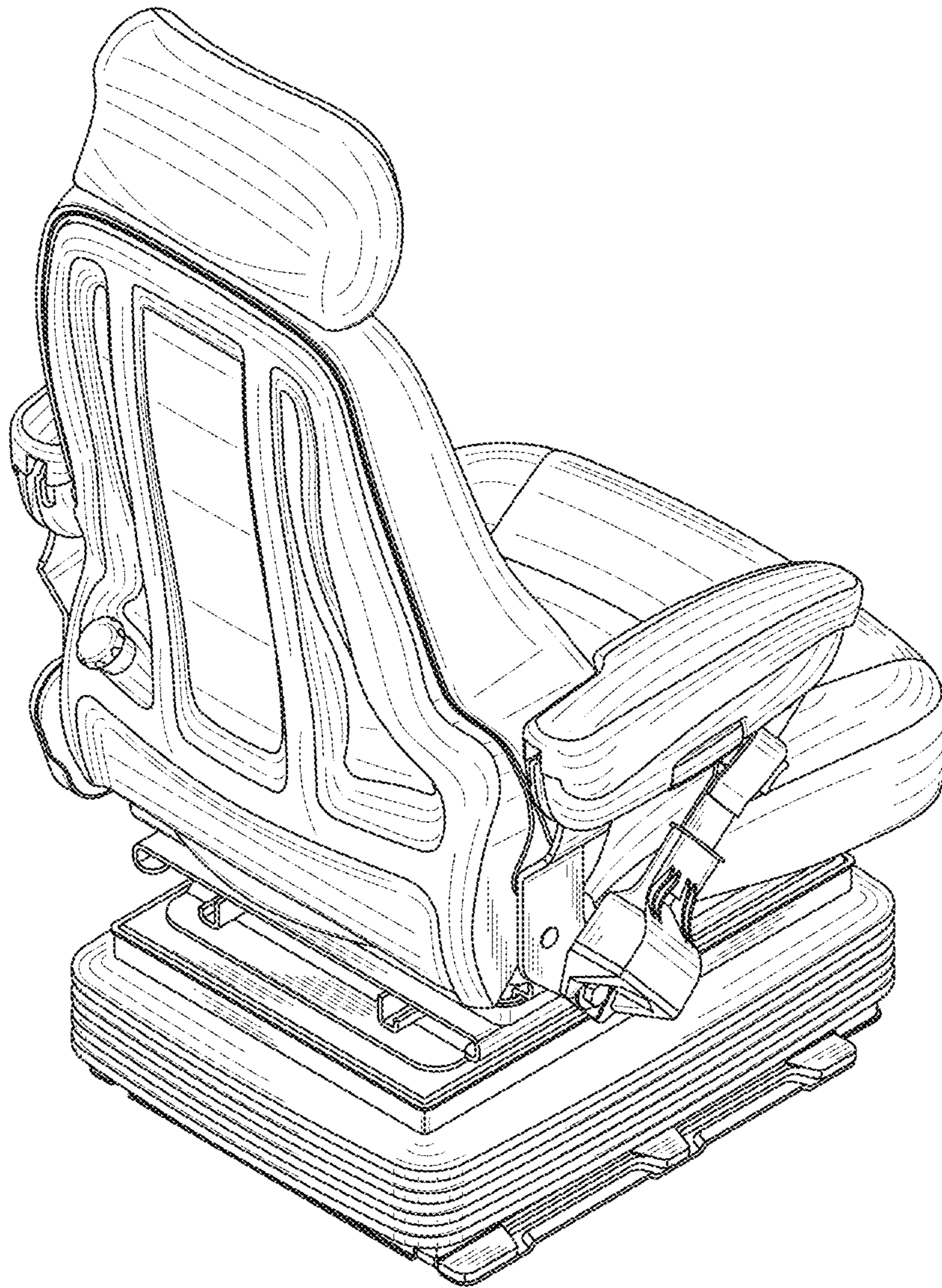


FIG. 19

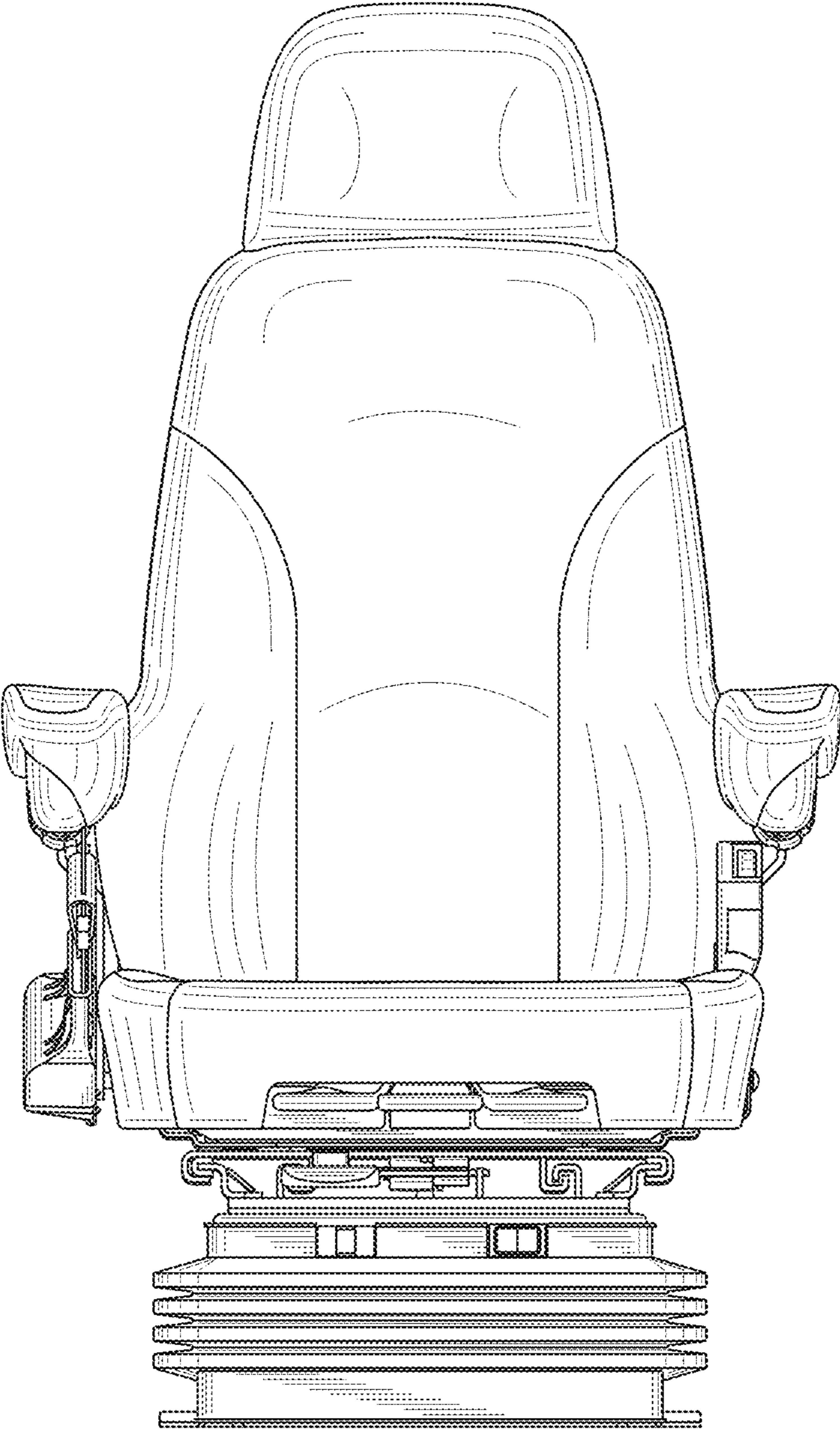


FIG. 20

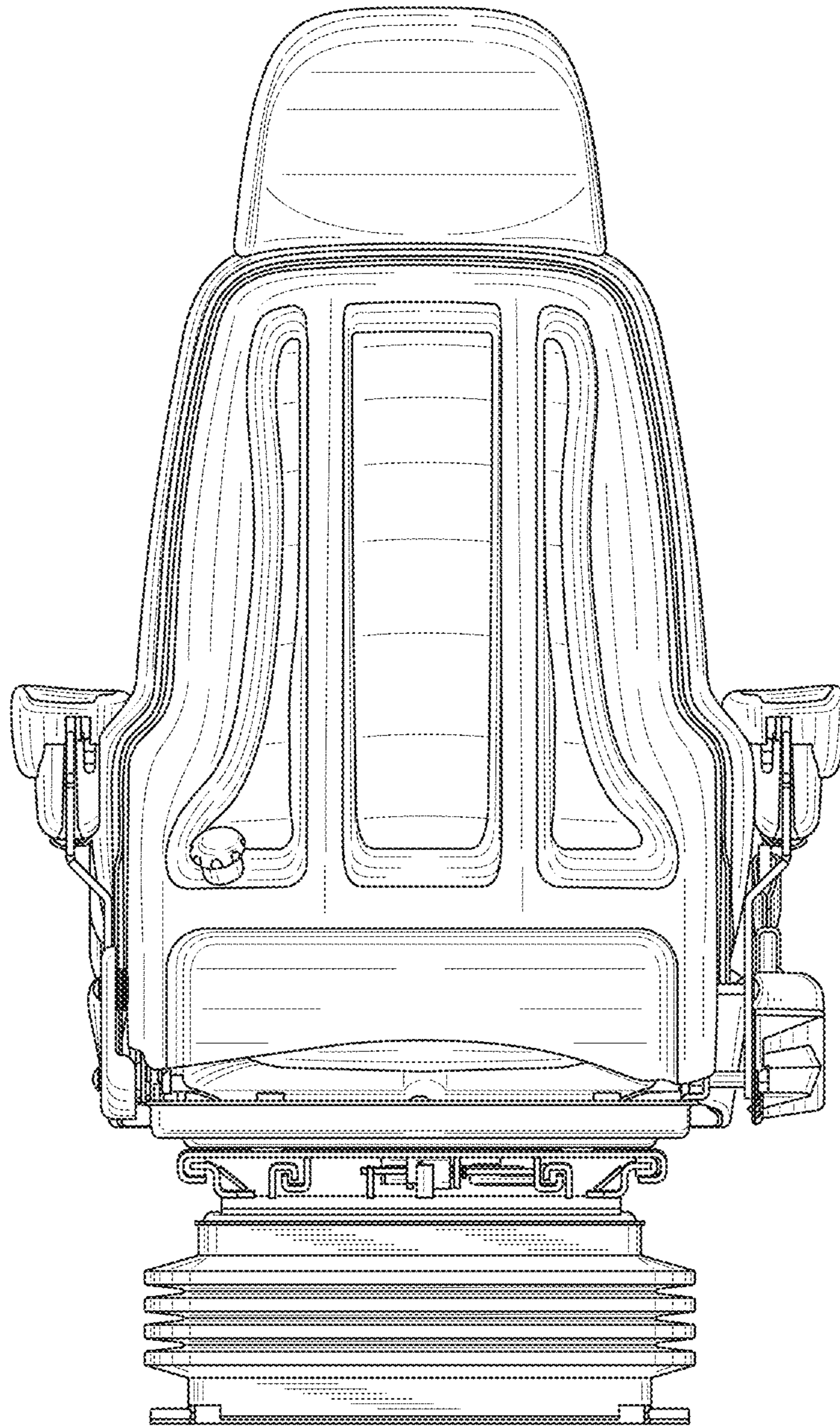


FIG. 21

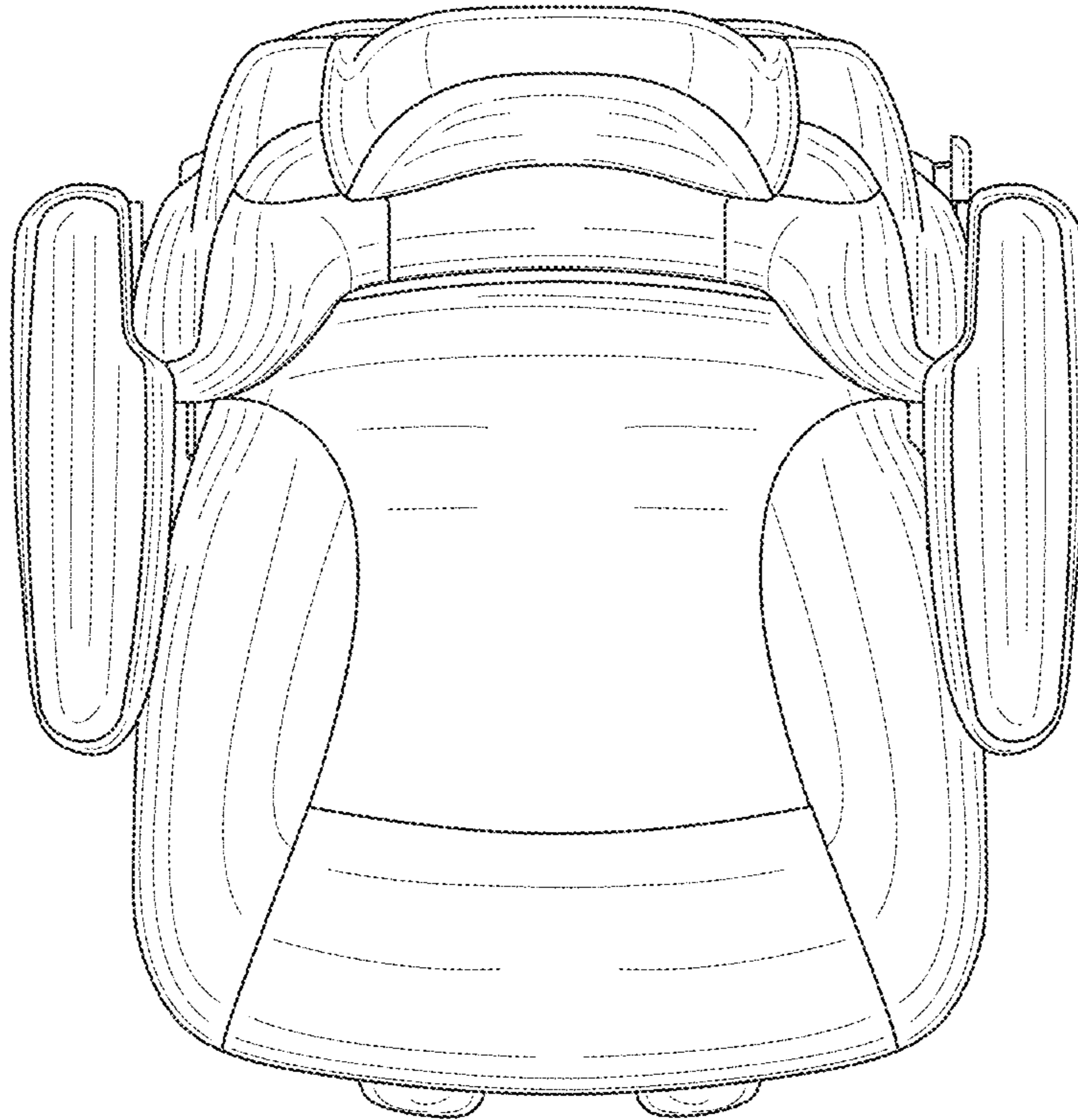


FIG. 22

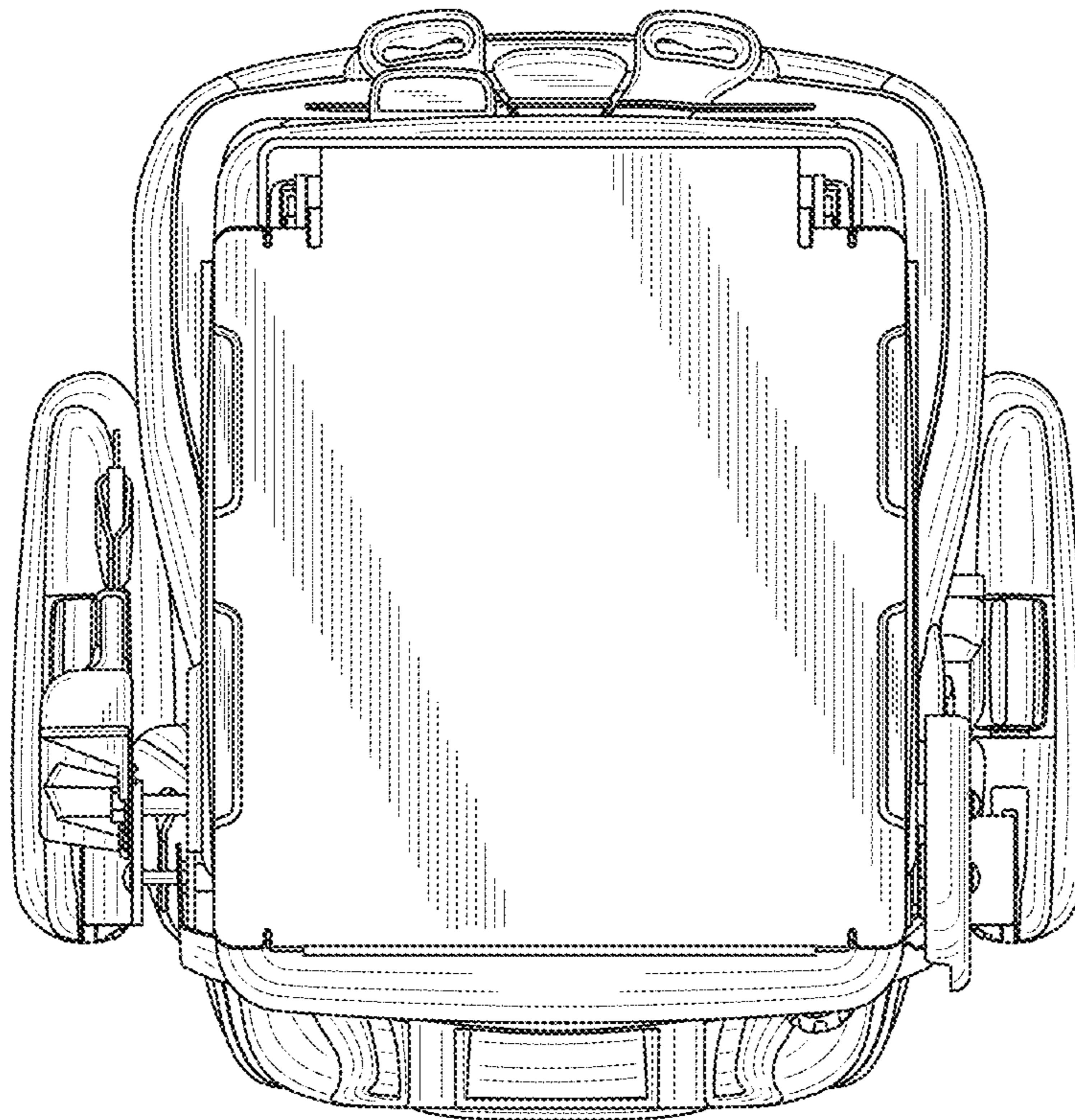


FIG. 23

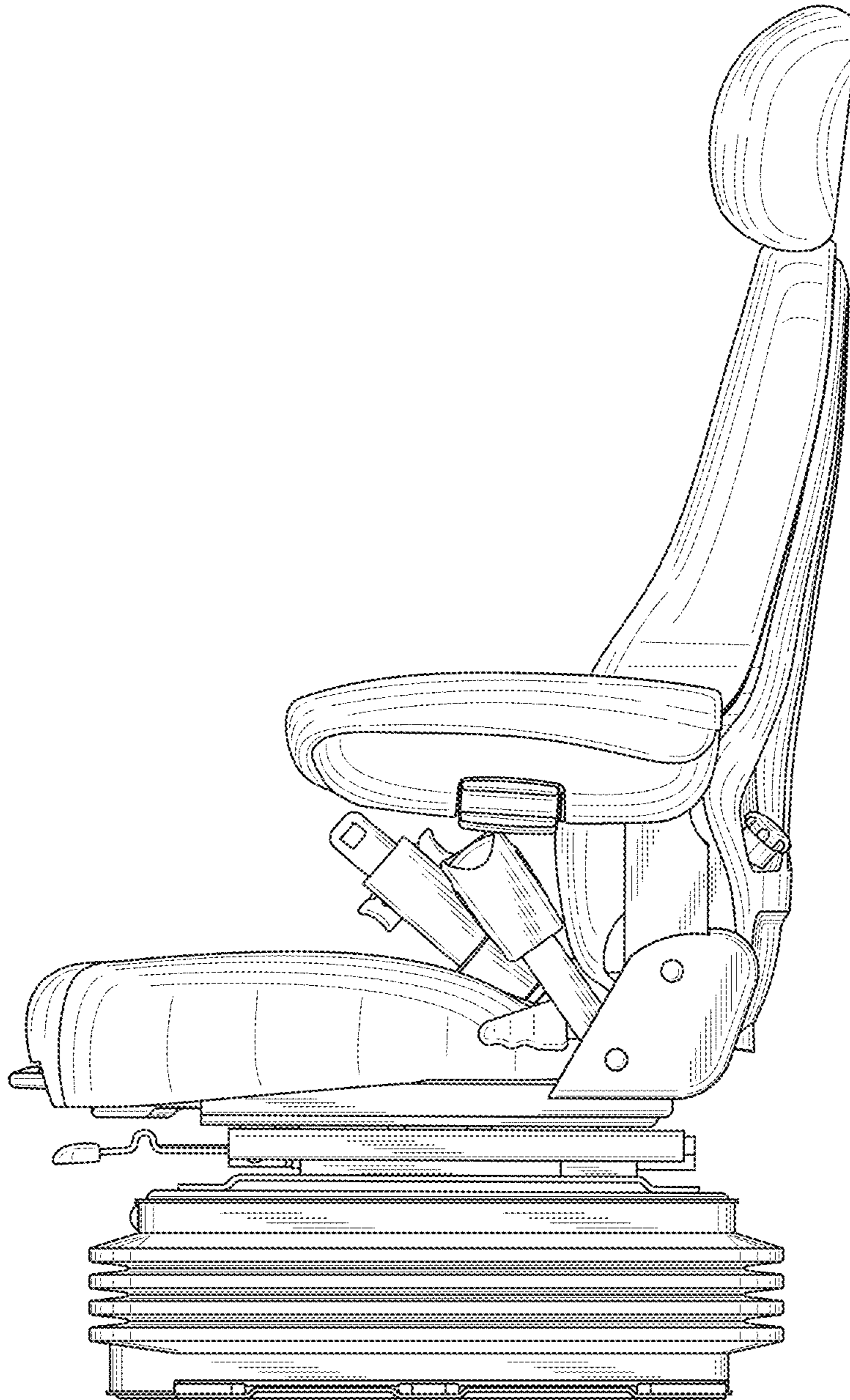


FIG. 24

