

US00D711123S

(12) **United States Design Patent**
Birge

(10) **Patent No.:** **US D711,123 S**

(45) **Date of Patent:** **** Aug. 19, 2014**

(54) **CLOTHES HANGER HAVING MULTIPLE HOOKS**

(71) Applicant: **Patricia A. Birge**, Greenwood, IN (US)

(72) Inventor: **Patricia A. Birge**, Greenwood, IN (US)

(**) Term: **14 Years**

(21) Appl. No.: **29/452,882**

(22) Filed: **Apr. 23, 2013**

(51) **LOC (10) Cl.** **06-08**

(52) **U.S. Cl.**
USPC **D6/317; D6/323**

(58) **Field of Classification Search**
CPC A47G 25/28; A47G 25/38; A47G 25/14;
A47G 25/442; A47G 25/485; A47G 25/4023;
A47G 25/483; A47F 5/0006
USPC D6/315-328; 223/85-98; 211/10, 13.1,
211/85.2, 86.01, 87.01, 113
See application file for complete search history.

(56) **References Cited**

U.S. PATENT DOCUMENTS

1,750,905 A 3/1930 Schilpp
1,910,629 A * 5/1933 Navarte 223/88
D136,082 S 8/1943 Schreiber

2,634,031 A * 4/1953 Klein 223/88
2,634,041 A 4/1953 Burnett
D239,586 S * 4/1976 Berstein D6/317
D243,055 S 1/1977 Blumberg
D275,437 S 9/1984 Mize
4,703,878 A 11/1987 Louw
D376,263 S 12/1996 Gouldson
D389,003 S 1/1998 Wilcox
D591,055 S 4/2009 Abdi
D626,754 S * 11/2010 Tramontini D6/317
D645,666 S * 9/2011 Ruelas D6/323
D668,880 S * 10/2012 Lewis D6/318
2007/0257070 A1 * 11/2007 Richardson 223/85

* cited by examiner

Primary Examiner — Derrick Holland
Assistant Examiner — Lauren Calve

(57) **CLAIM**

I claim the ornamental design for a clothes hanger having multiple hooks, as shown and described.

DESCRIPTION

FIG. 1 is a front view of the clothes hanger having multiple hooks.

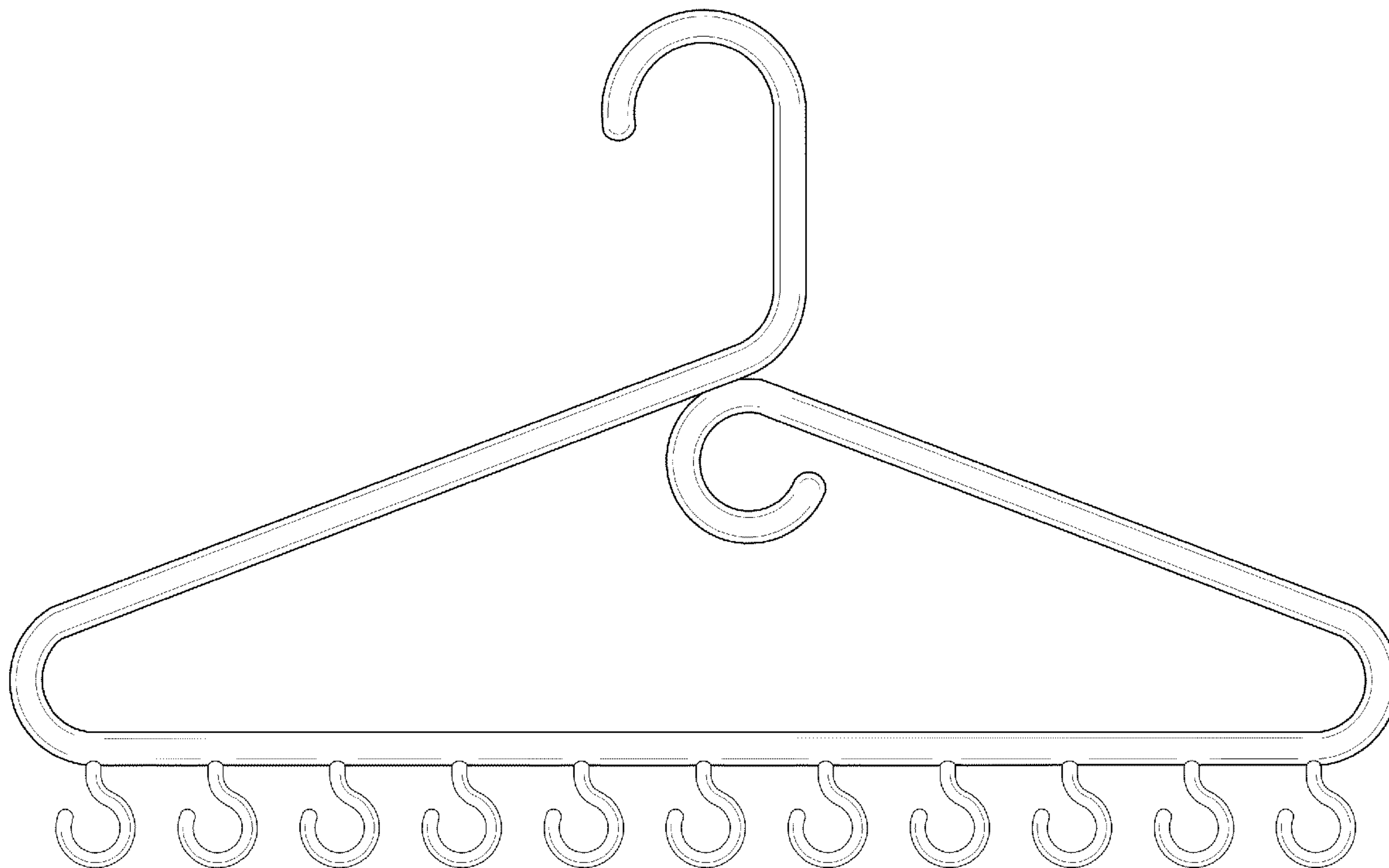
FIG. 2 is a left view of the claimed design.

FIG. 3 is a right side view of the claimed design.

FIG. 4 is a top view of the claimed design; and,

FIG. 5 is a bottom view of the claimed design.

1 Claim, 3 Drawing Sheets



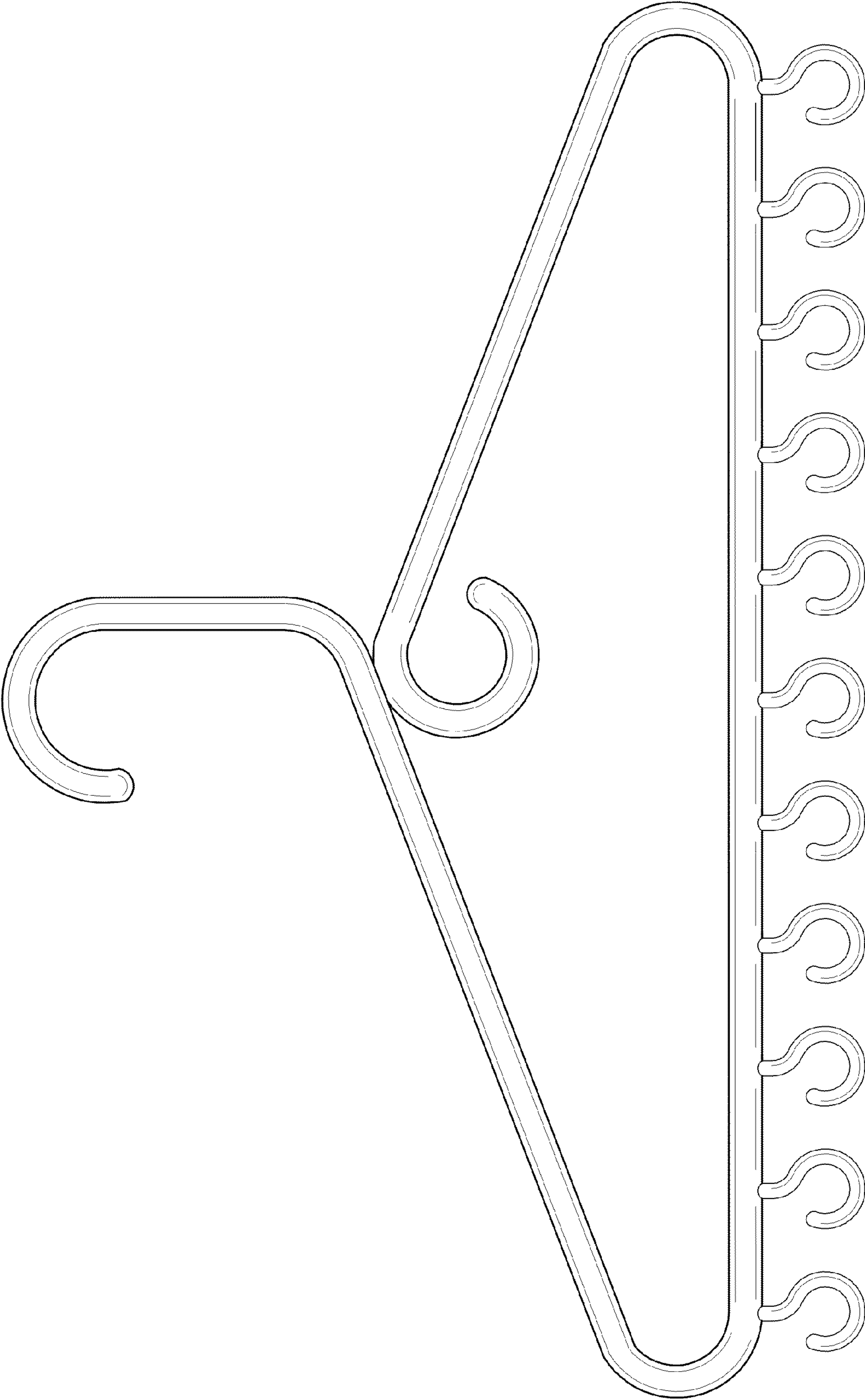


FIG. 1

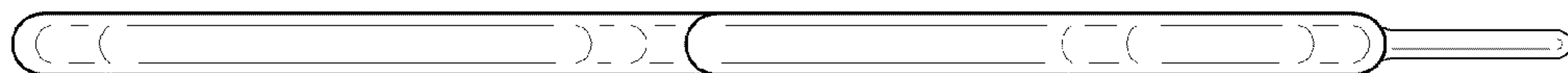


FIG. 3



FIG. 2

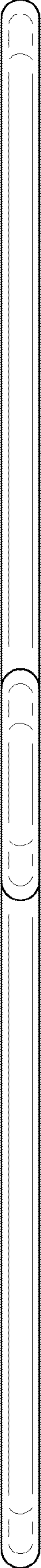


FIG. 4

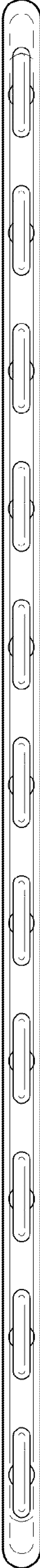


FIG. 5