



US00D711110S

(12) **United States Design Patent**
Gonzalez et al.

(10) **Patent No.:** **US D711,110 S**

(45) **Date of Patent:** **** Aug. 19, 2014**

- (54) **GRILL BRUSH HANDLE**
- (71) Applicants: **Mario M. Gonzalez**, Kenosha, WI (US);
Noah Wangerin, Glenview, IL (US)
- (72) Inventors: **Mario M. Gonzalez**, Kenosha, WI (US);
Noah Wangerin, Glenview, IL (US)
- (73) Assignee: **Weber-Stephen Products LLC**,
Palatine, IL (US)

D456,614 S * 5/2002 Zemel D4/134
 7,039,983 B1 * 5/2006 Outlaw 15/111
 D532,609 S * 11/2006 Zemel D4/138
 D562,562 S * 2/2008 Wales D4/114
 D681,345 S * 5/2013 Wales D4/138

(**) Term: **14 Years**

(21) Appl. No.: **29/454,255**

(22) Filed: **May 8, 2013**

(51) **LOC (10) Cl.** **04-01**

(52) **U.S. Cl.**
USPC **D4/138**

(58) **Field of Classification Search**
 CPC A46B 5/02; A46B 5/021; A46B 5/0095;
 A46B 2200/30; A46B 2200/3033; A46B
 2200/3073; A46B 2200/3093
 USPC D4/121, 132-134, 136, 138; D28/63;
 D32/51, 52; 15/143.1, 159.1, 160,
 15/176.1, 176.3-176.5, 186-188
 See application file for complete search history.

(56) **References Cited**

U.S. PATENT DOCUMENTS

D58,678 S * 8/1921 Mosauer D4/134
 2,920,333 A * 1/1960 Montague et al. 401/22
 3,271,806 A * 9/1966 Helmken 15/176.3
 D429,889 S * 8/2000 Fielding D4/118

FOREIGN PATENT DOCUMENTS

KR 105792 S * 8/1990

OTHER PUBLICATIONS

Rubbermaid® Catalog, © 1992, Rubbermaid Commercial Products, Inc., Utility Brushes, p. 38.*

* cited by examiner

Primary Examiner — Melanie H Tung

Assistant Examiner — Lavone D Tabor

(74) *Attorney, Agent, or Firm* — Niro, Haller & Niro

(57) **CLAIM**

The ornamental design for a grill brush handle, as shown and described.

DESCRIPTION

FIG. 1 is a perspective view of the grill brush handle;
 FIG. 2 is a top view of the grill brush handle;
 FIG. 3 is a front view of the grill brush handle
 FIG. 4 is a side view of the grill brush handle;
 FIG. 5 is a bottom view of the grill brush handle; and,
 FIG. 6 is a rear view of the grill brush handle.
 The broken lines showing bristles and the feature on the top of the handle illustrate environmental structure and a portion of the grill brush handle that form no part of the claimed design.

1 Claim, 3 Drawing Sheets

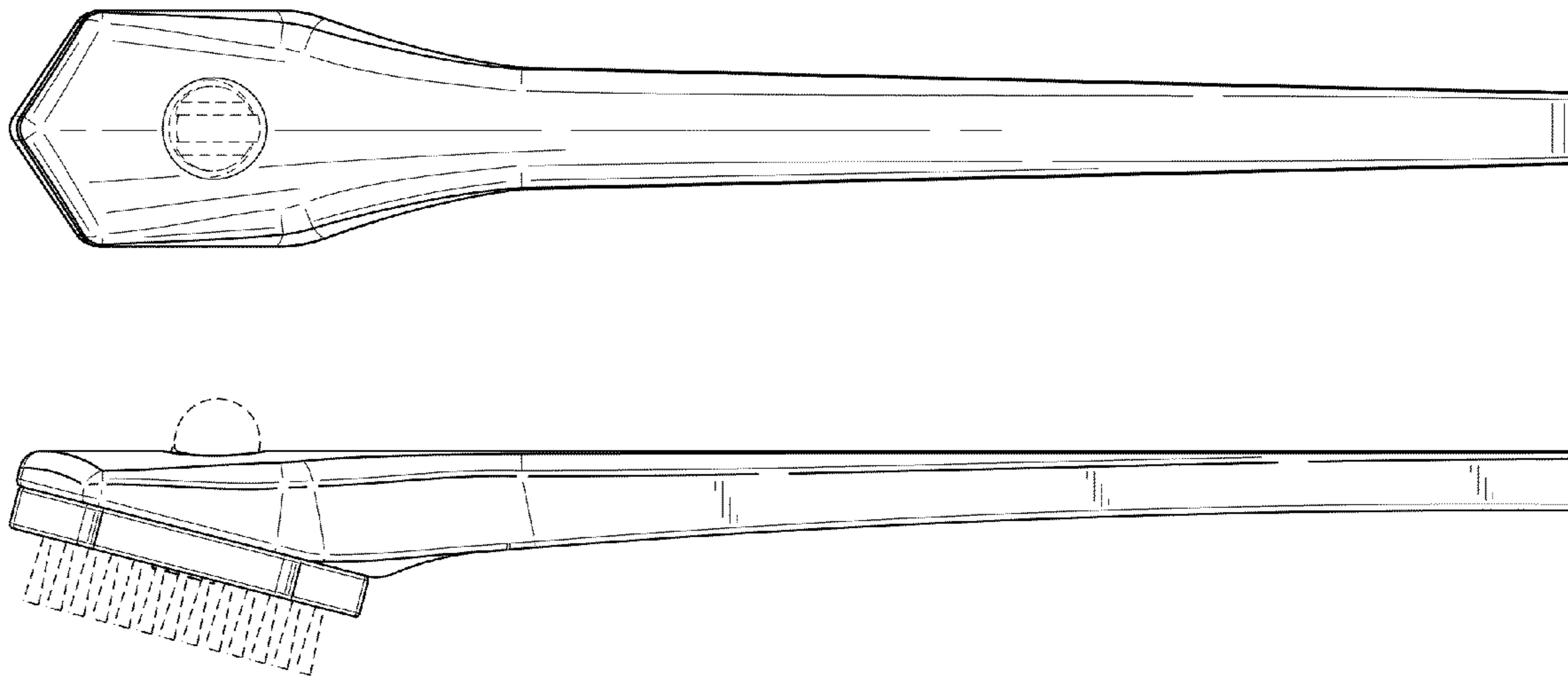


Fig. 1

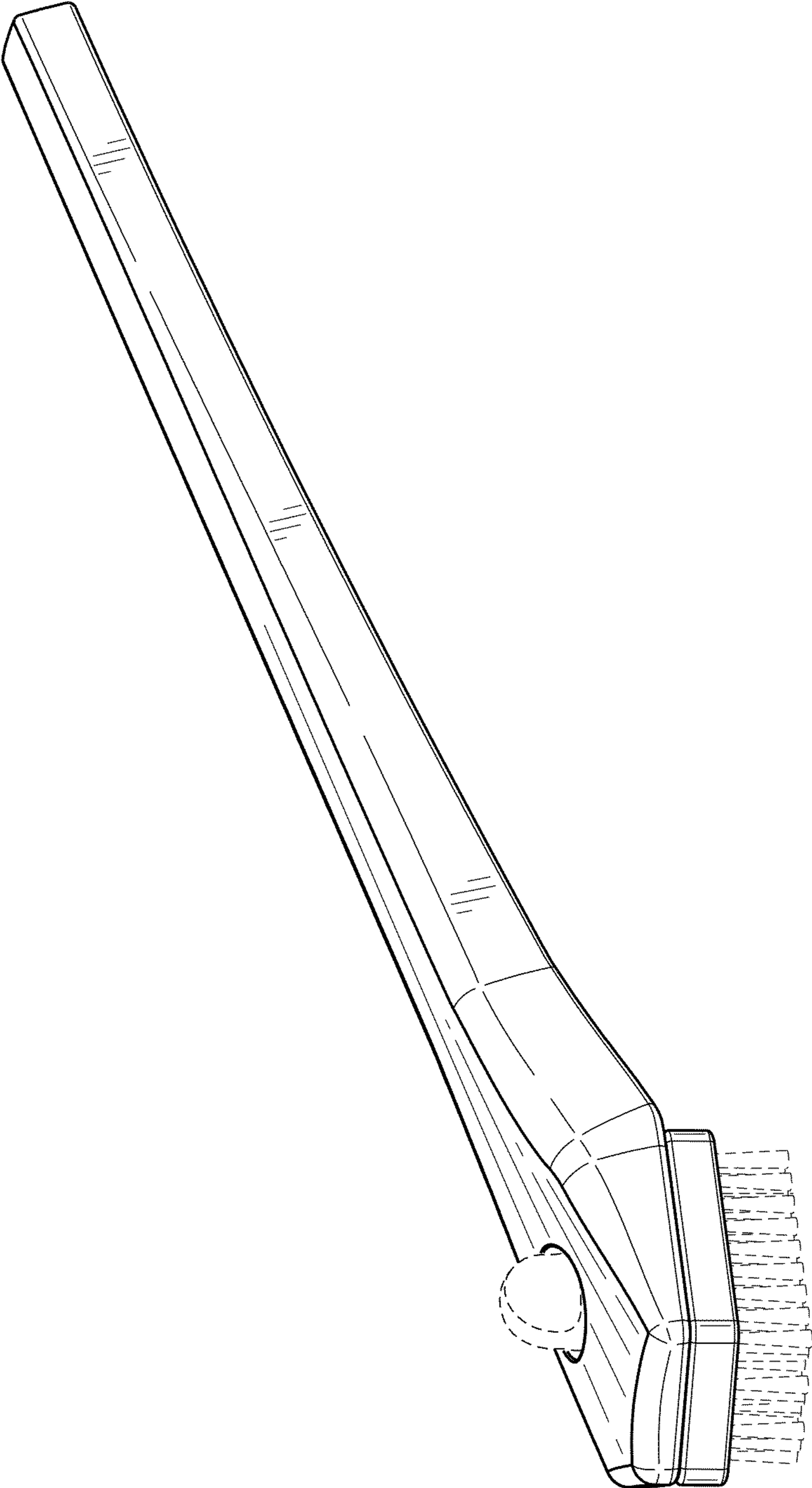


Fig. 2

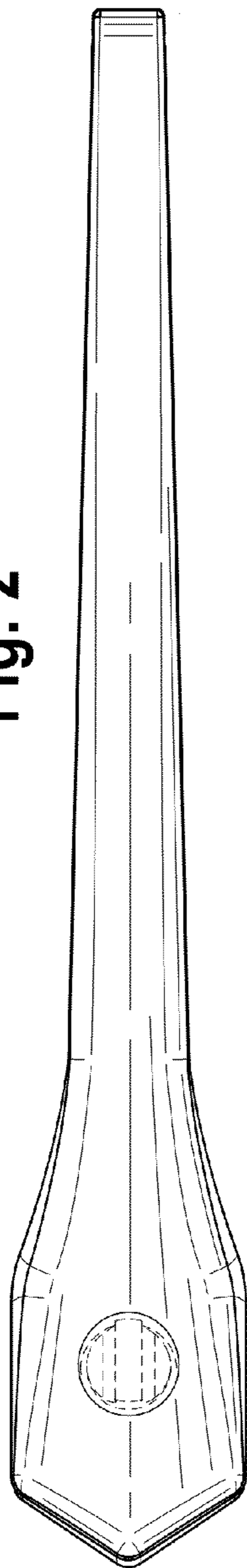


Fig. 3

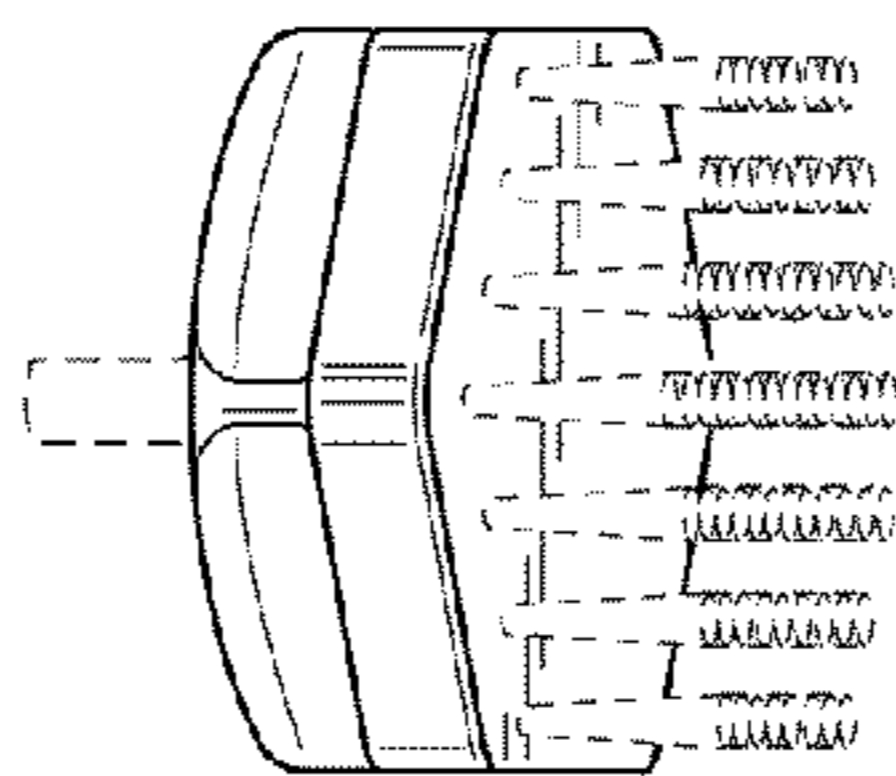


Fig. 4

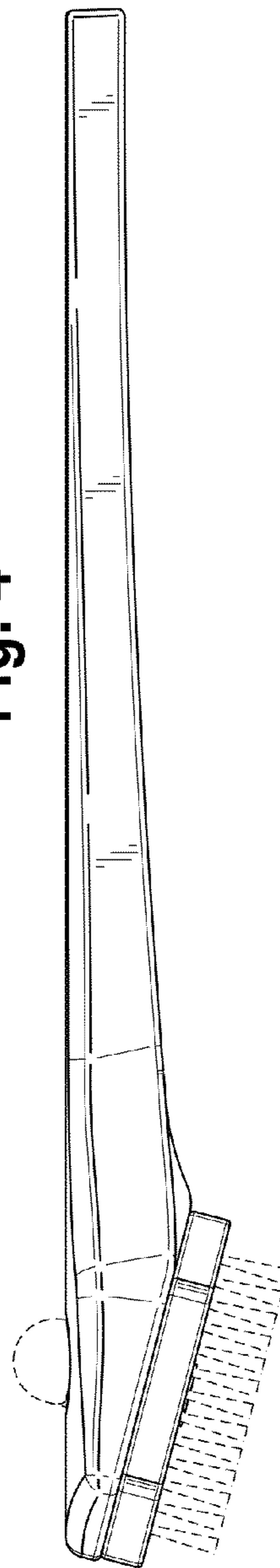


Fig. 5

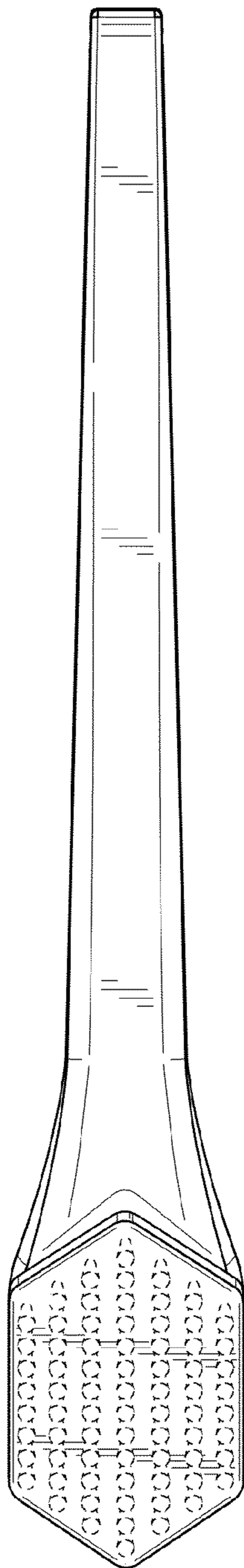


Fig. 6

