



US00D711108S

(12) **United States Design Patent**
Scott

(10) **Patent No.:** **US D711,108 S**
(45) **Date of Patent:** **** Aug. 19, 2014**

- (54) **BOX**
- (71) Applicant: **William Mitchell Scott**, Villa Hills, KY
(US)
- (72) Inventor: **William Mitchell Scott**, Villa Hills, KY
(US)
- (**) Term: **14 Years**
- (21) Appl. No.: **29/448,659**
- (22) Filed: **Mar. 13, 2013**

2,289,619 A	7/1942	Anderson, Jr.
2,297,284 A	9/1942	Blackman
2,307,349 A	1/1943	Anderson, Jr.
2,307,350 A	1/1943	Anderson, Jr.
2,330,294 A	9/1943	Leavitt et al.

(Continued)

FOREIGN PATENT DOCUMENTS

JP	52-171526	12/1977
JP	7-35313	6/1995
JP	2001-1294231 A	10/2001
WO	WO 99/25621	5/1999

OTHER PUBLICATIONS

Acrylic Desktop File Holder; http://www.alibaba.com/product-gs/541368370/acrylic_desktop_file_holder.html; Copyright © 1999-2012 Alibaba.com Hong Kong Limited and licensors; printed Oct. 24, 2012; p. 1-3.

(Continued)

Primary Examiner — Kelley Donnelly

(74) *Attorney, Agent, or Firm* — Donald E. Hasse; Hasse & Nesbitt LLC

(57) **CLAIM**

I claim the ornamental design for a box, as shown and described.

DESCRIPTION

FIG. 1 is a perspective view of the box;
FIG. 2 is a side view of the box;
FIG. 3 is a another side view of the box;
FIG. 4 is a top view of the box;
FIG. 5 is a bottom view of the box;
FIG. 6 is an exploded perspective view of the box;
FIG. 7 is another exploded perspective view of the box; and,
FIG. 8 is another perspective view of the box.
The broken lines shown in the drawings are for illustrative purposes only and form no part of the claimed design.

1 Claim, 8 Drawing Sheets

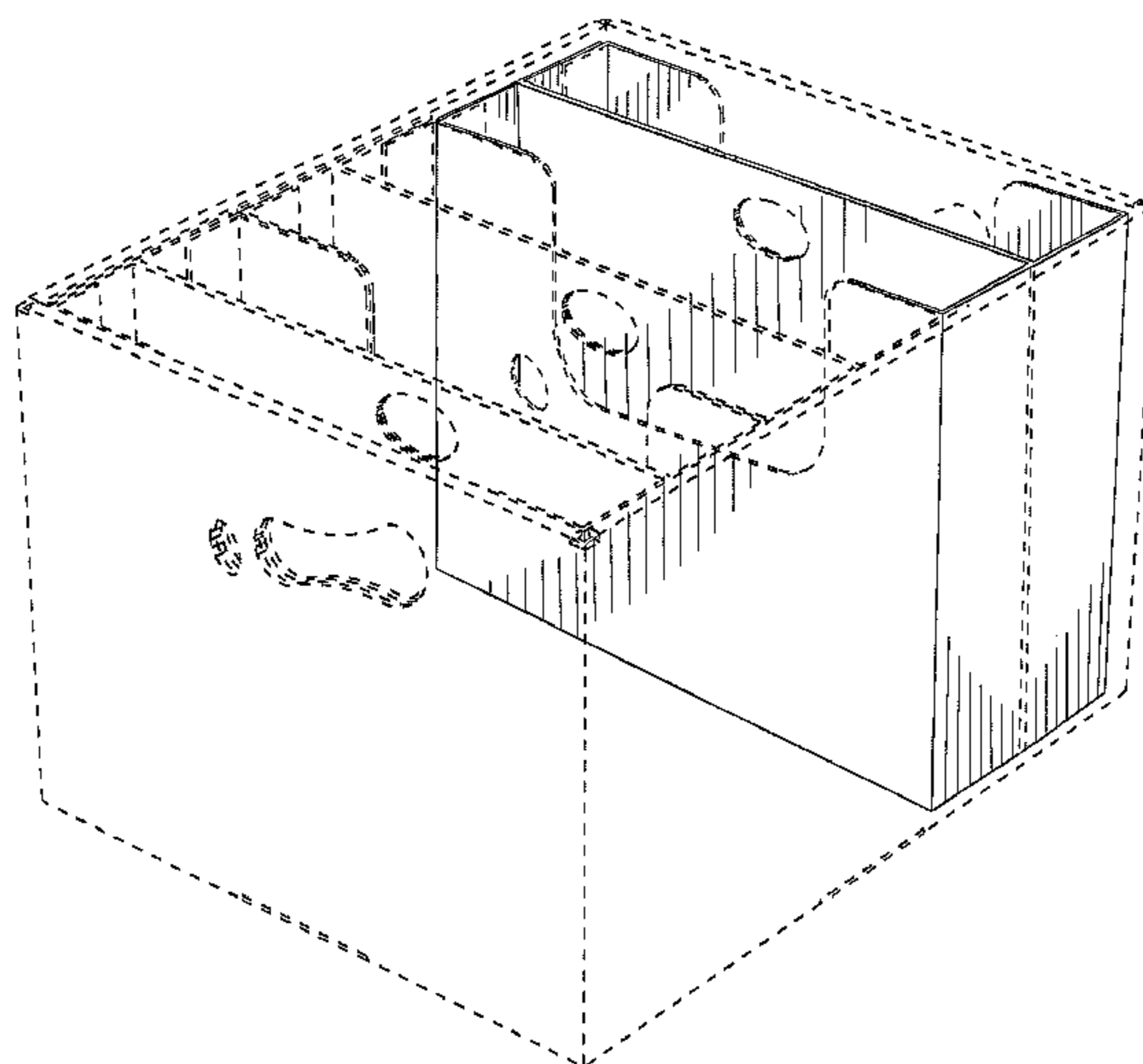
Related U.S. Application Data

- (63) Continuation of application No. 29/391,489, filed on May 9, 2011, now Pat. No. Des. 681,953.
 - (51) **LOC (10) Cl.** **03-01**
 - (52) **U.S. Cl.**
USPC **D3/310**
 - (58) **Field of Classification Search**
USPC D3/304–305, 307–315; D19/75–76, 86,
D19/90–91, 99–100; 229/100, 117.13,
229/117.16, 120.02, 120.24, 120.29;
220/500, 528–529; D34/1;
312/183–184, 107; 211/45–46, 10–11,
211/126.13
- See application file for complete search history.

References Cited

U.S. PATENT DOCUMENTS

- | | | |
|-------------|--------|-----------------|
| 1,457,770 A | 6/1923 | Dodge |
| 1,623,547 A | 4/1927 | Neumann |
| 1,865,688 A | 7/1932 | Hannaford |
| 1,897,672 A | 2/1933 | Neumann |
| 1,974,674 A | 9/1934 | Halladay et al. |
| 2,054,355 A | 9/1936 | Anderson, Jr. |
| 2,094,054 A | 9/1937 | Bixby |
| 2,124,409 A | 7/1938 | Andrews |
| 2,201,462 A | 5/1940 | Wells et al. |
| 2,253,008 A | 8/1941 | Anderson, Jr. |



(56)

References Cited

U.S. PATENT DOCUMENTS

2,365,182 A	12/1944	Ferguson	4,927,074 A	5/1990	LaRue et al.
2,418,963 A	4/1947	Anderson, Jr.	4,948,033 A	8/1990	Halsell, II et al.
2,460,230 A	1/1949	Makrianes	4,961,497 A	10/1990	Sherer et al.
2,537,801 A	1/1951	Swatsick	D312,402 S	11/1990	Boggus, Jr.
2,559,552 A	7/1951	Welshenbach	D312,531 S	12/1990	Sherer et al.
2,561,979 A	7/1951	George	D315,098 S	3/1991	Hutcheson
2,564,948 A	8/1951	Beck, Jr. et al.	5,011,071 A	4/1991	Lopez
2,597,847 A	5/1952	Reeser	5,042,657 A	8/1991	Dunn
2,604,255 A	7/1952	Welshenbach	5,076,491 A	12/1991	Freudentahl et al.
2,629,499 A	2/1953	Welshenbach	D326,341 S	5/1992	Frauhiger
2,634,038 A	4/1953	George et al.	5,111,957 A	5/1992	Hollander et al.
2,645,353 A	7/1953	Anderson, Jr.	5,295,632 A	3/1994	Zink et al.
2,654,527 A	10/1953	Geckler et al.	D348,390 S	7/1994	Van Ness
2,698,124 A	12/1954	Hines	5,333,777 A	8/1994	Roth
2,788,933 A	4/1957	Kessler	5,429,295 A	7/1995	Levy
2,822,973 A	2/1958	Armstrong et al.	D361,892 S	9/1995	Quaintance
2,827,222 A	3/1958	Buttery	5,494,161 A	2/1996	Herbst
2,925,210 A	2/1960	Fallert	5,503,324 A	4/1996	Bacchetti et al.
2,981,455 A	4/1961	Cope	D372,673 S	8/1996	Turner
3,002,650 A	10/1961	Lovell	5,579,917 A	12/1996	Lofgren et al.
3,005,717 A	10/1961	Pilibos	D391,079 S	2/1998	Conti et al.
3,049,279 A	8/1962	Mairs et al.	D394,950 S	6/1998	Kite
3,107,041 A	10/1963	Wagner, Jr.	5,779,129 A	7/1998	Herbst et al.
3,114,493 A	12/1963	Dunkin	5,794,780 A	8/1998	Parrella et al.
3,118,588 A	1/1964	Noble	D398,228 S	9/1998	Herbst et al.
3,138,283 A	6/1964	Peebles	D398,230 S	9/1998	Herbst et al.
3,175,750 A	3/1965	Bump	5,887,782 A	3/1999	Mueller
3,186,586 A	6/1965	Box	5,890,650 A	4/1999	Penson
3,195,798 A	7/1965	Wilson	5,908,152 A	6/1999	Tullis
3,282,462 A	11/1966	Box	D419,302 S	1/2000	Hardy et al.
3,301,386 A	1/1967	Carter	D421,183 S	2/2000	Koskinen
3,301,461 A	1/1967	Kroeschell	6,036,042 A	3/2000	Pietruch et al.
3,314,532 A	4/1967	Henry	D422,499 S	4/2000	Herbst et al.
3,366,496 A	1/1968	Bomar et al.	D423,587 S	4/2000	Conley et al.
3,379,341 A	4/1968	Miles	D424,117 S	5/2000	Steinbeck et al.
3,438,562 A	4/1969	Connor et al.	D425,128 S	5/2000	Conley et al.
3,622,063 A	11/1971	McVeigh	D425,562 S	5/2000	Conley et al.
3,664,494 A	5/1972	Mergens	6,059,180 A	5/2000	Collins
3,667,666 A	6/1972	Pryor	6,070,719 A	6/2000	Pollock
3,670,949 A	6/1972	Galanes	6,123,254 A	9/2000	Dupuis
3,684,159 A	8/1972	Wolfe	6,135,347 A	10/2000	Mueller
3,692,231 A	9/1972	Neitzke et al.	D434,223 S	11/2000	Dombrowski
3,698,625 A	10/1972	Graser	6,149,052 A	11/2000	Mueller
3,713,579 A	1/1973	Chaffers	D442,780 S	5/2001	Hiernard
3,724,920 A	4/1973	Beck	6,237,840 B1	5/2001	Grabowski et al.
3,797,731 A	3/1974	Weldon	6,290,124 B2	9/2001	Andrews, Sr. et al.
3,831,834 A	8/1974	Elward	D448,567 S	10/2001	Buss
3,844,473 A	10/1974	Whelan	D448,568 S	10/2001	Sadr
3,860,113 A	1/1975	Helms	D451,675 S	12/2001	Hardy et al.
3,862,687 A	1/1975	Pirman	D453,275 S	2/2002	Stravitz
3,952,940 A	4/1976	Malcolm	6,352,157 B1	3/2002	Srinivasan
D242,021 S	10/1976	Shanklin	D461,120 S	8/2002	Ostro
4,030,600 A	6/1977	Heaps	6,439,452 B1	8/2002	Tsao
D244,994 S	7/1977	Flanagan	6,527,167 B1	3/2003	Sheffer
4,101,052 A	7/1978	Dove	D477,217 S	7/2003	Riedi
4,114,300 A	9/1978	Holson	D480,273 S	10/2003	Cordwell
4,127,228 A	11/1978	Hall	6,705,515 B2	3/2004	Dowd
4,142,665 A	3/1979	Jewell et al.	6,708,874 B1	3/2004	Montgomery
4,172,522 A	10/1979	Muller et al.	D494,759 S	8/2004	Louie et al.
4,199,832 A	4/1980	Glasscock et al.	D495,490 S	9/2004	Garrett et al.
4,230,261 A	10/1980	Austin	D503,614 S	4/2005	Sax et al.
4,265,391 A	5/1981	Zornes et al.	6,889,893 B2	5/2005	Kent
4,285,150 A	8/1981	Richardson et al.	D507,404 S	7/2005	Moon et al.
4,291,830 A	9/1981	Sorensen	D518,526 S	4/2006	Benn
4,325,493 A	4/1982	Paige	D518,708 S	4/2006	Ohayon
4,339,069 A	7/1982	Poteet	D526,893 S	8/2006	Nixon
4,380,290 A	4/1983	Leubke	D527,424 S	8/2006	Long
4,504,497 A	3/1985	Kurth et al.	D539,036 S	3/2007	Potts et al.
4,588,077 A	5/1986	Champlin et al.	D542,033 S	5/2007	Kopenhaver et al.
4,617,702 A	10/1986	Diederich, Jr.	7,210,614 B2	5/2007	Mazurek
4,655,366 A	4/1987	Sykes	D548,072 S	8/2007	Nixon
4,717,023 A	1/1988	Opreat	D549,096 S	8/2007	Ayats et al.
D297,214 S	8/1988	Forbes, Jr.	D551,860 S	10/2007	Northrop
4,768,704 A	9/1988	Beckway et al.	7,331,451 B2	2/2008	Focke et al.
4,817,861 A	4/1989	Henrikson	D569,105 S	5/2008	Van Hoorn
			7,387,350 B2	6/2008	Killinger et al.
			7,410,094 B2	8/2008	Bos
			7,438,198 B2	10/2008	Pickles
			D581,782 S	12/2008	Kisch

(56)

References Cited

U.S. PATENT DOCUMENTS

D583,660	S	12/2008	Steiger et al.	
D587,996	S	3/2009	Steiger et al.	
7,611,020	B2	11/2009	Prest	
7,654,408	B2	2/2010	Bazany	
D615,775	S	5/2010	Fairbanks	
7,726,552	B2	6/2010	Chadima	
D627,562	S	11/2010	Osiecki et al.	
D629,163	S	12/2010	Sullivan	
D633,296	S	3/2011	Potts et al.	
8,079,474	B1	12/2011	Flaming	
D657,562	S	4/2012	McNamara	
D658,407	S	5/2012	Pung et al.	
D661,096	S	6/2012	Dretzka	
D662,133	S *	6/2012	Smith et al.	D19/26
8,220,701	B2	7/2012	Fontaine et al.	
D665,846	S *	8/2012	Chuang	D19/90
8,251,276	B2	8/2012	McLeod	
D666,830	S	9/2012	Glenn	
D671,321	S	11/2012	Scott	
D671,322	S	11/2012	Scott	
D671,323	S	11/2012	Scott	
D673,368	S	1/2013	Scott	
D675,443	S	2/2013	Scott	
D679,094	S	4/2013	Scott	
D685,649	S *	7/2013	Banuelos	D9/711
2001/0052477	A1	12/2001	McNeill	
2005/0029260	A1	2/2005	Sheng-Bin	
2005/0241971	A1	11/2005	Zou et al.	
2005/0284906	A1	12/2005	Potts et al.	
2006/0022026	A1	2/2006	Yandian et al.	
2006/0243784	A1	11/2006	Glaser et al.	
2007/0051787	A1	3/2007	Schille et al.	
2008/0054059	A1	3/2008	Chadima	
2008/0173703	A1	7/2008	Westerman et al.	
2009/0020444	A1	1/2009	Green	
2009/0282843	A1	11/2009	Brand	
2010/0314268	A1	12/2010	Goodman	

OTHER PUBLICATIONS

Acrylic Magazine Holder (m Shape); http://www.alibaba.com/product-gs/274660307/Acrylic_magazine_holder_M_shape_.html; Copyright © 1999-2012 Alibaba.com Hong Kong Limited and licensors; printed Oct. 24, 2012; p. 1-2.

Zigzag Acrylic Literature http://www.alibaba.com/product-gs/294904097/zigzag_acrylic_literature_magazine_holder_acrylic.html; Copyright © 1999-2012 Alibaba.com Hong Kong Limited and licensors; printed Oct. 24, 2012; p. 1-3.

Kantek Acrylic Mini Sorter—KTKAD50; <http://www.discountofficeitems.com/office-supplies/desk-organizers/desk-organizers-holders/desktop-file-sorters/kantek-acrylic-mini-sorter/p14879.html>; Cart Reference # DGL1647F; Copyright © 2012 DiscountOfficeItems.com; printed Oct. 24, 2012; p. 1-3.

Lebon, Hilary (Social Media Pro/Consultant) Marketing Idea For The Day—Corrugated Plastic Totes; <http://www.mdi.org/index.php/marketing-idea-for-the-day-corrugated-plastic-totes/>; Jun. 28, 2011; Copyright © 2010 MDI; p. 1-3.

PCT Search Report and Written Opinion for Corresponding PCT Application No. PCT/US2012/036980; mailed Dec. 3, 2012; pp. 1-9.

PCT Search Report and Written Opinion for Corresponding PCT Application No. PCT/US2012/037402; mailed Feb. 14, 2013; pp. 1-15.

Photo 1 of United States Postal Service bin; published prior to Apr. 28, 2012.

Photo 2 of United States Postal Service bins; published prior to Apr. 28, 2012.

Screen Shot of No. 1555 tote and 1560 tote; published prior to Apr. 28, 2012.

William M. Scott, U.S. Appl. No. 13/441,434, Container With Grips, filed Apr. 6, 2012.

William M. Scott, U.S. Appl. No. 13/448,349, Strengthening Insert for a Corrugated Box, filed Apr. 16, 2012.

William M. Scott, U.S. Appl. No. 29/391,489, Novel Box, filed May 9, 2011.

William M. Scott, U.S. Appl. No. 29/448,659, Box, filed Mar. 13, 2013.

William M. Scott, U.S. Appl. No. 29/391,490, Novel Box & Private Label, filed May 10, 2011.

William M. Scott, U.S. Appl. No. 29/448,535, Box, filed Mar. 13, 2013.

William M. Scott, U.S. Appl. No. 29/444,761, Box, filed Feb. 4, 2013.

William M. Scott, U.S. Appl. No. 29/448,429, Box, filed Mar. 13, 2013.

William M. Scott, U.S. Appl. No. 29/445,333, Box, filed Feb. 11, 2013.

William M. Scott, U.S. Appl. No. 29/419,400, Box With Locking Ports, filed Apr. 27, 2012.

William M. Scott, U.S. Appl. No. 29/438,590, Box, filed Nov. 30, 2012.

William M. Scott, U.S. Appl. No. 29/438,066, Carrying Tote, filed Nov. 26, 2012.

William M. Scott, U.S. Appl. No. 29/438,072, Carrying Tote, filed Nov. 26, 2012.

William M. Scott, U.S. Appl. No. 29/438,077, Carrying Tote, filed Nov. 26, 2012.

William M. Scott, U.S. Appl. No. 29/449,577, Cable Tie, filed Mar. 15, 2013.

William M. Scott, U.S. Appl. No. 29/431,415, Box, filed Sep. 7, 2012.

William M. Scott, U.S. Appl. No. 29/431,416, Box, filed Sep. 7, 2012.

William M. Scott, U.S. Appl. No. 29/431,417, Box, filed Sep. 7, 2012.

William M. Scott, U.S. Appl. No. 13/606,059, Shipping Container With Grips and Locking Ports, filed Sep. 7, 2012.

William M. Scott, U.S. Appl. No. 13/837,387, Corrugated Container Box and Blank, filed Mar. 15, 2013.

William M. Scott, U.S. Appl. No. 29/431,504, Box, filed Sep. 7, 2012.

William M. Scott, U.S. Appl. No. 29/431,507, Box, filed Sep. 7, 2012.

William M. Scott, U.S. Appl. No. 13/673,246, Document Holding Device, filed Nov. 9, 2012.

William M. Scott, U.S. Appl. No. 29/436,876, Document Partition, filed Nov. 9, 2012.

William M. Scott, U.S. Appl. No. 29/436,882, Shaped Document Partition, filed Nov. 9, 2012.

William M. Scott, U.S. Appl. No. 13/835,159, Cable Ties, filed Mar. 15, 2013.

* cited by examiner

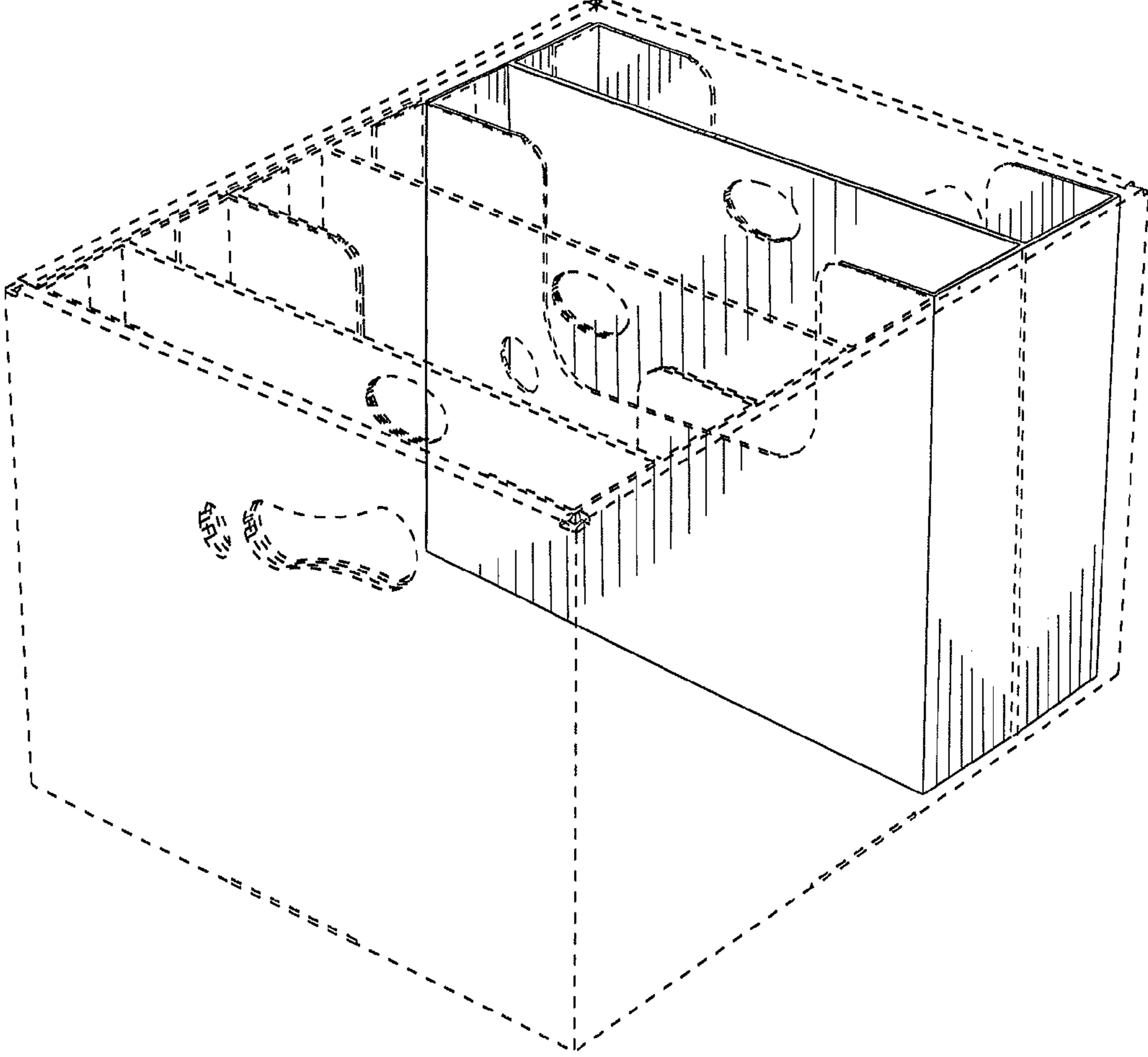


FIG. 1

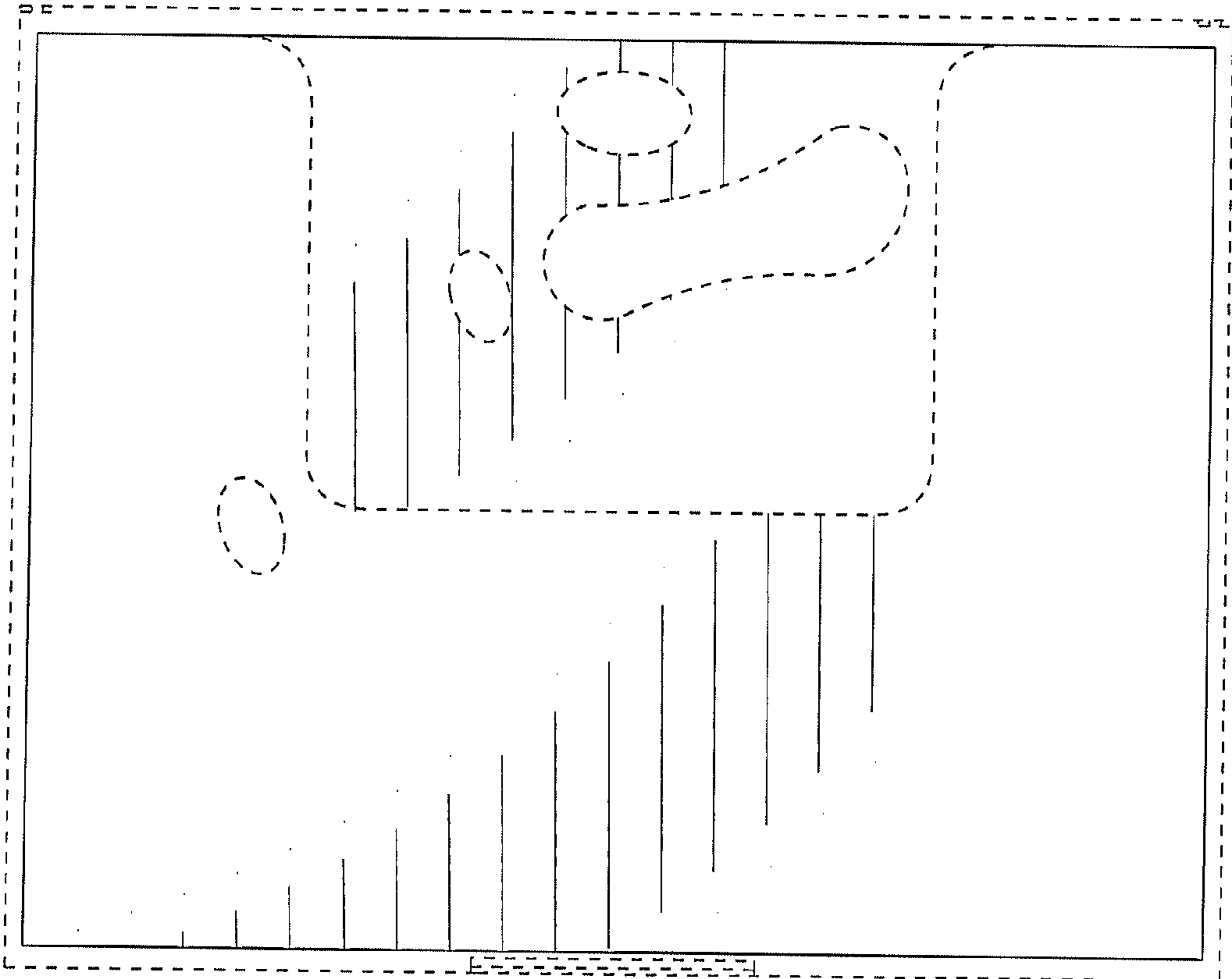


FIG. 2

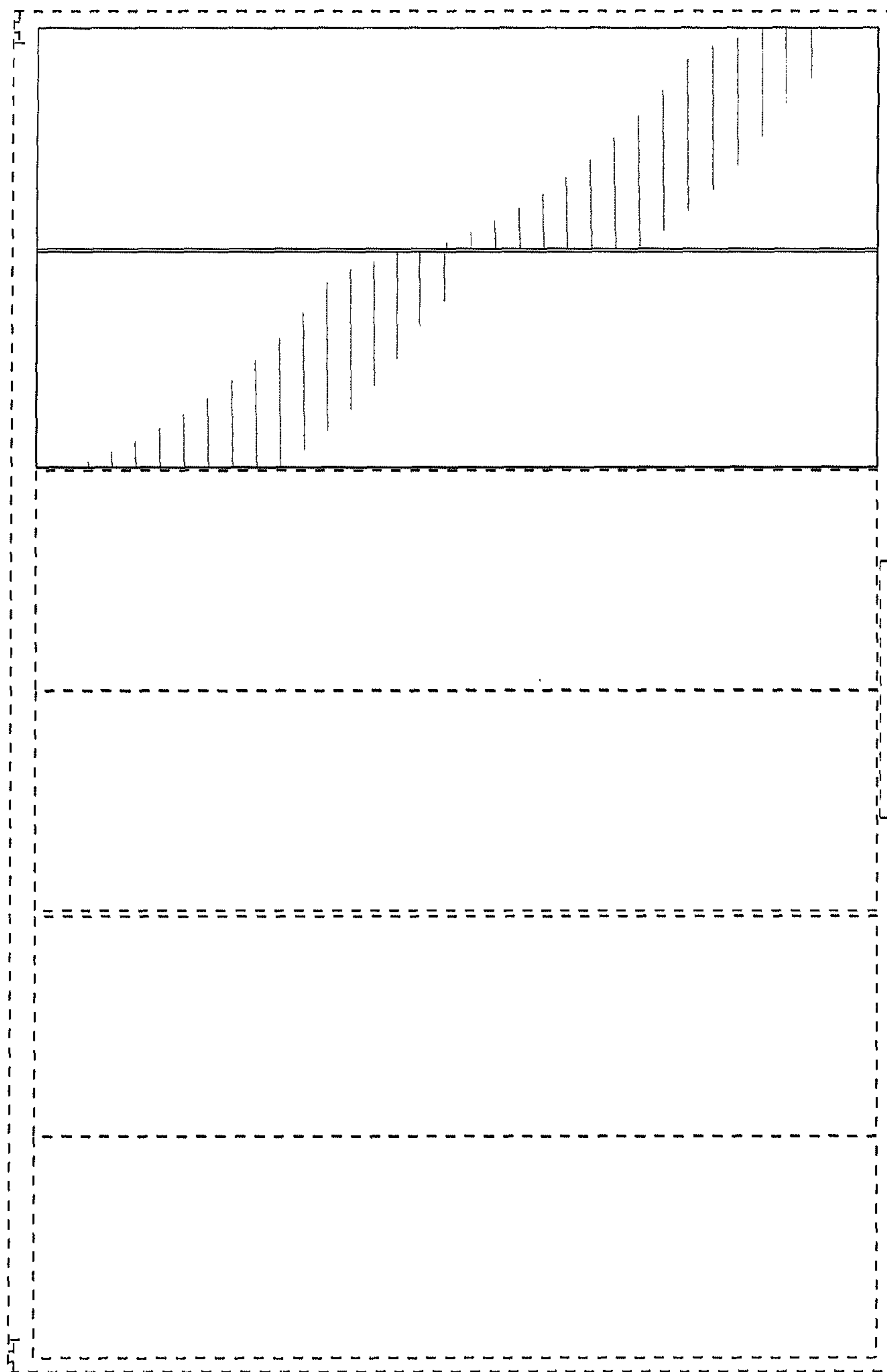


FIG. 3

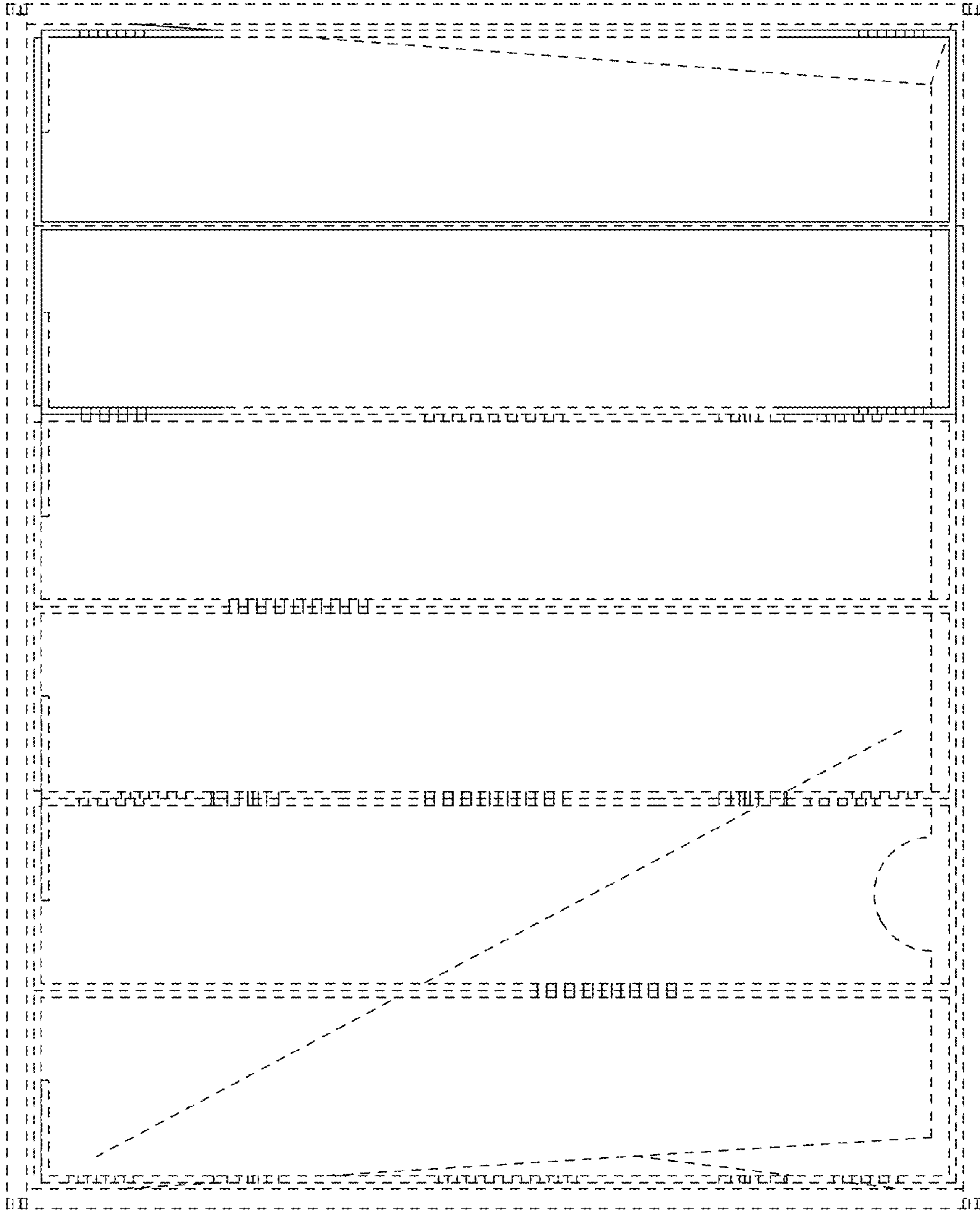


FIG. 4

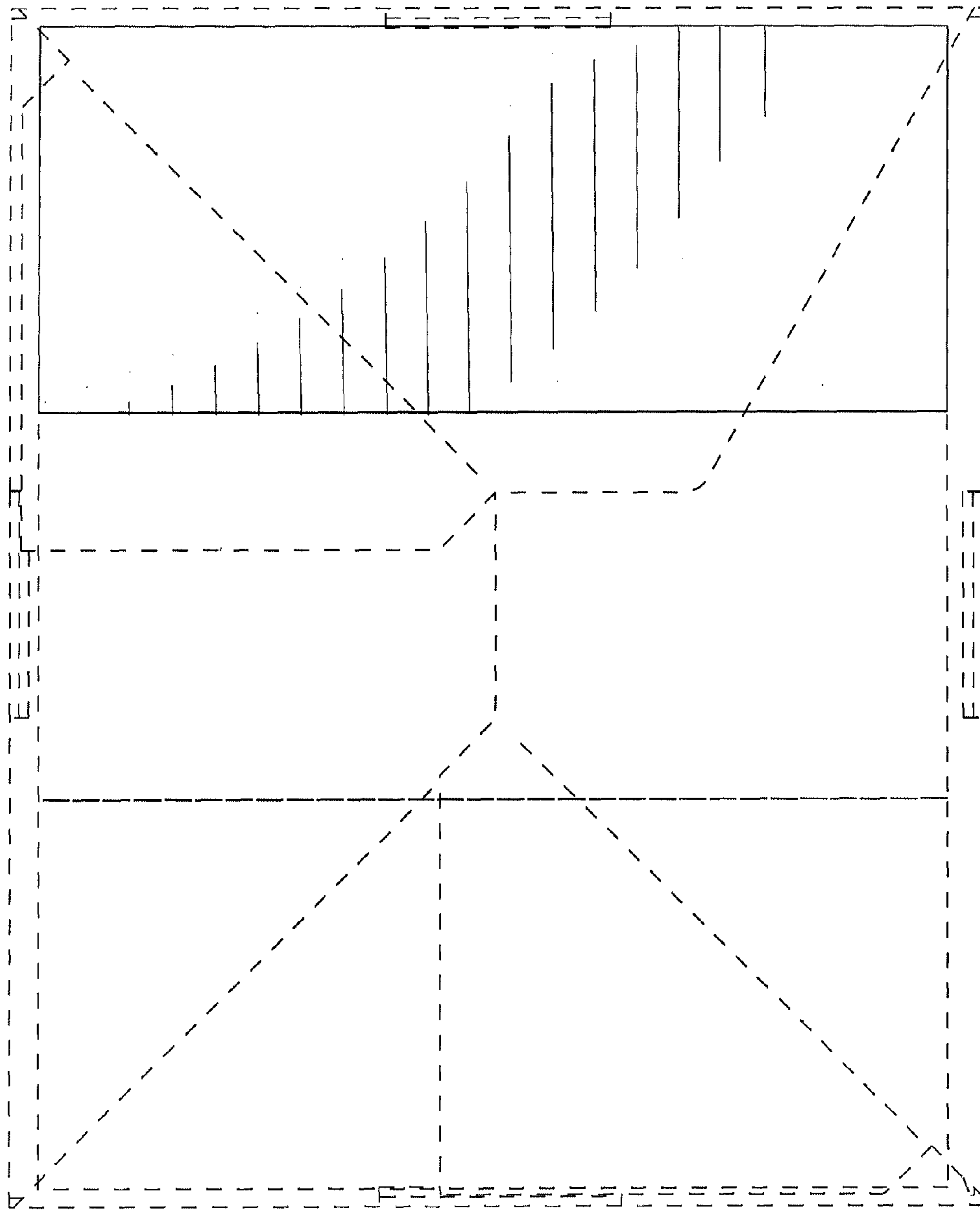


FIG. 5

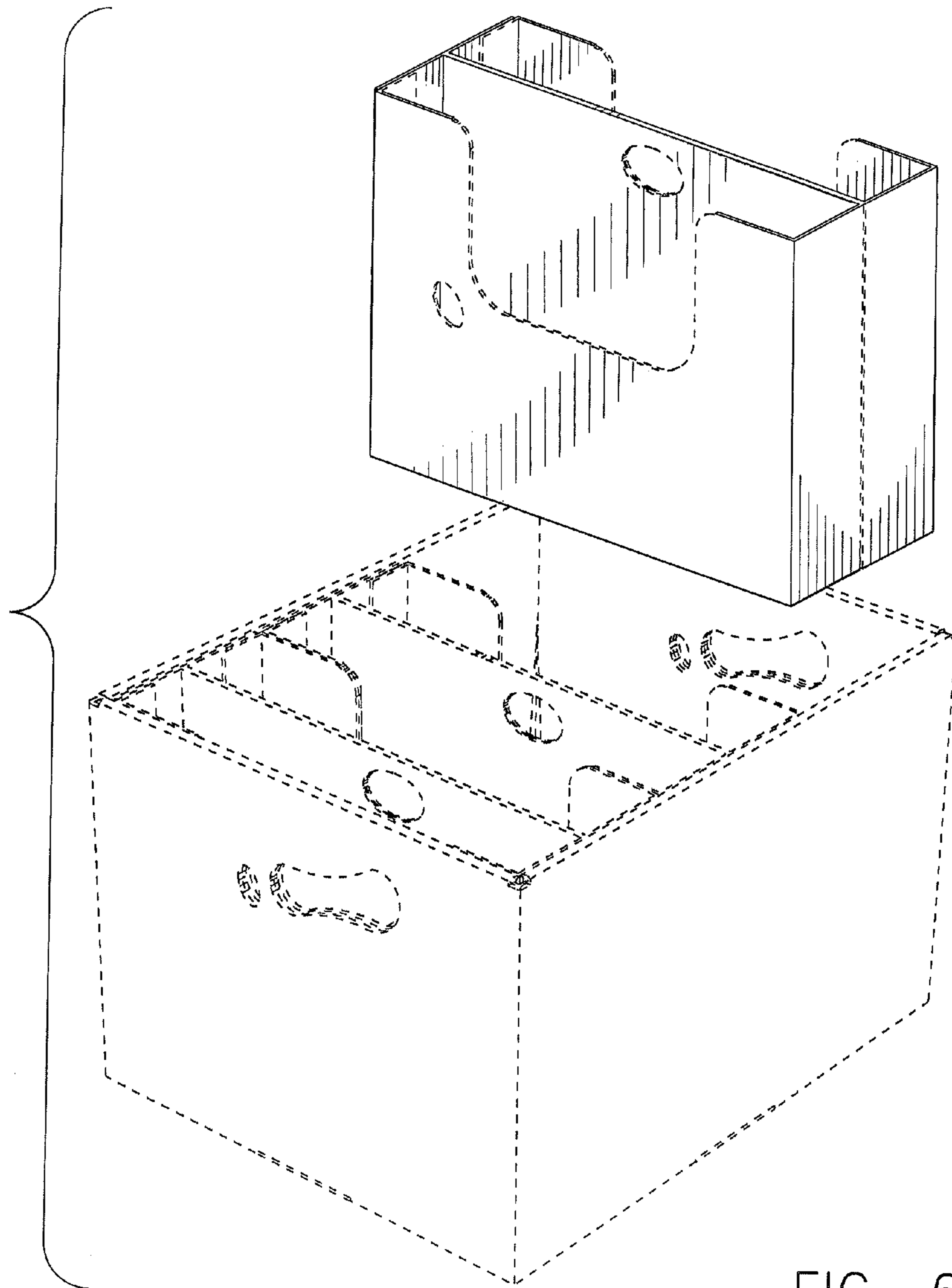


FIG. 6

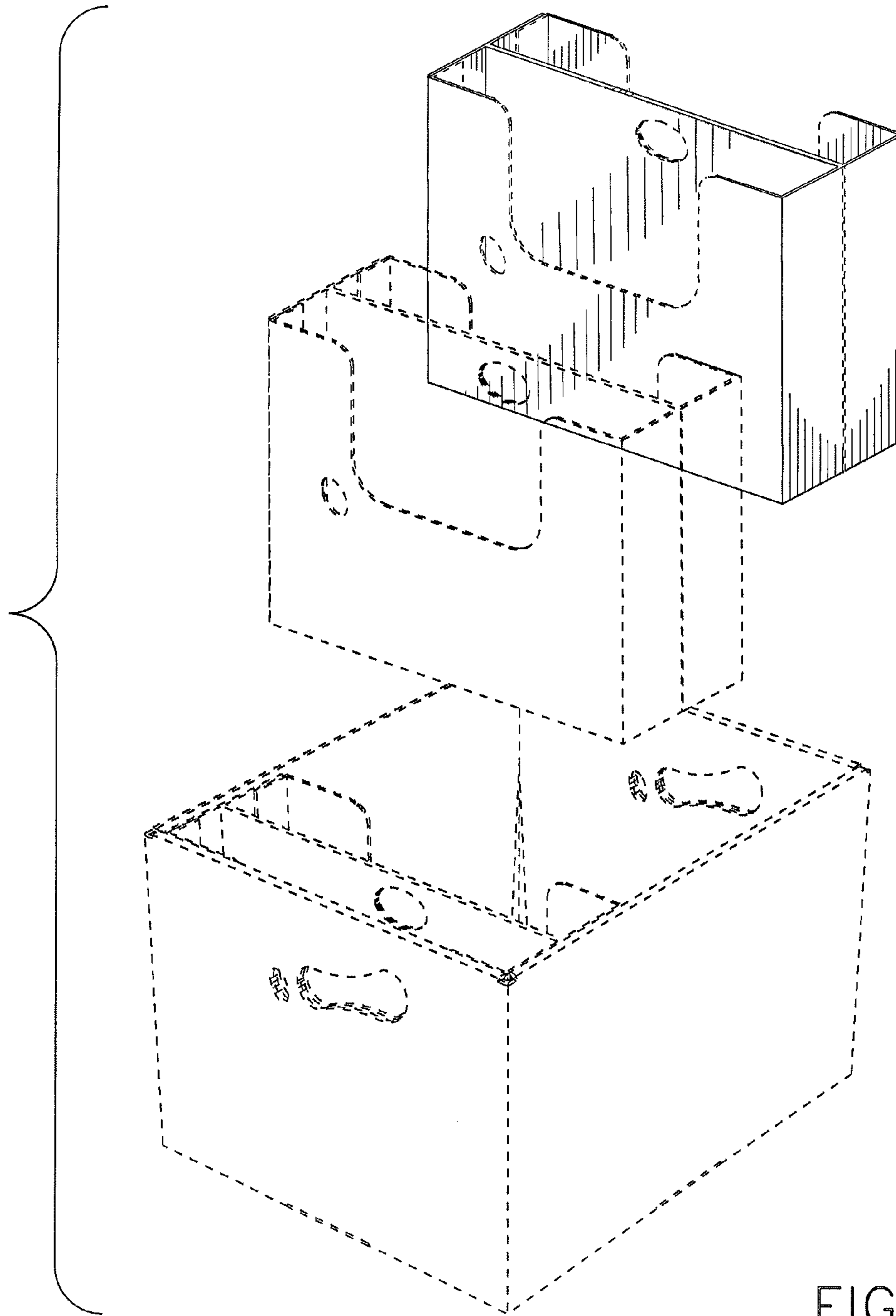


FIG. 7

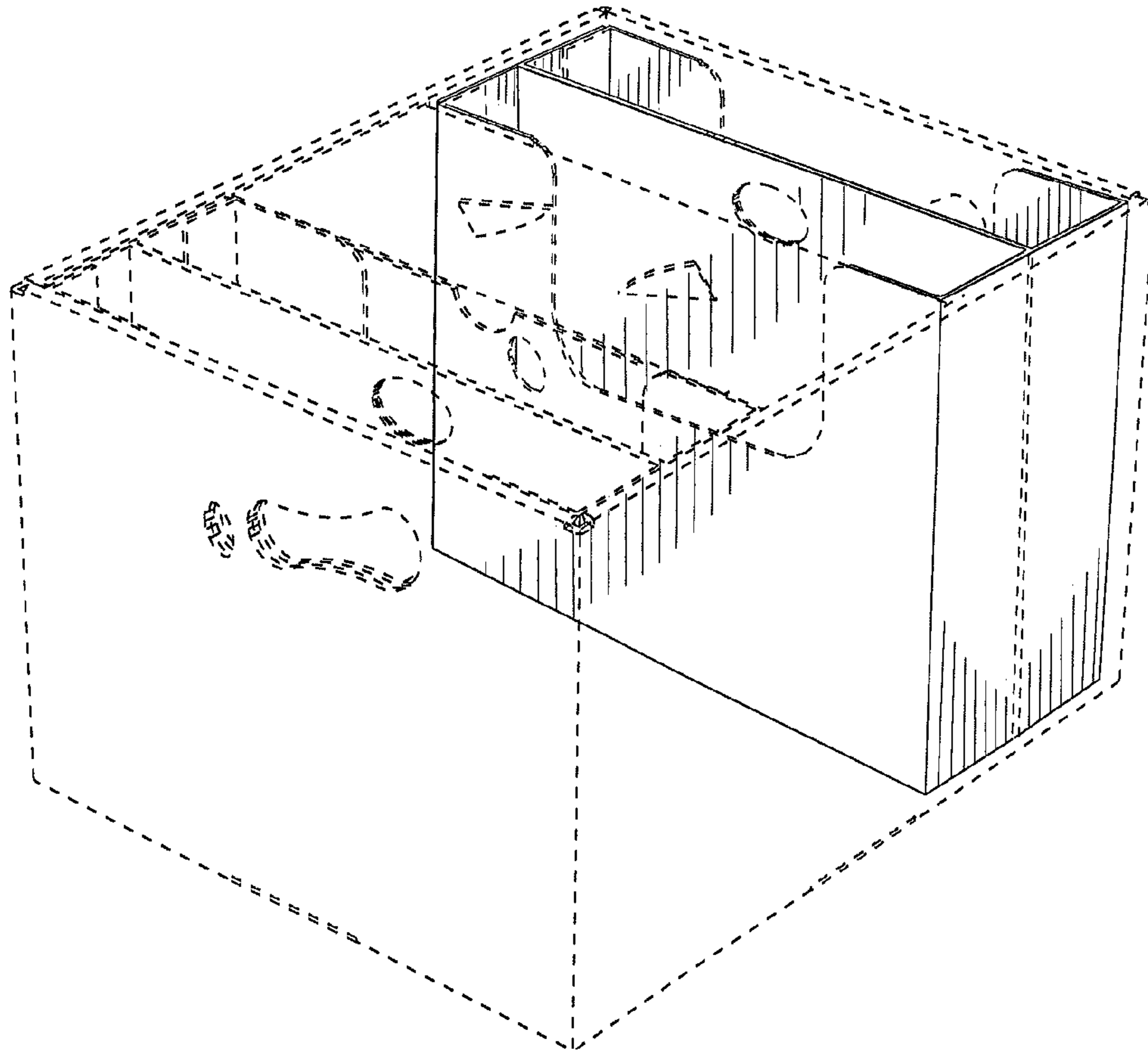


FIG. 8