



US00D711105S

(12) **United States Design Patent**
Brunner

(10) **Patent No.:** **US D711,105 S**

(45) **Date of Patent:** **** Aug. 19, 2014**

(54) **TOOL CASE**

(71) Applicant: **Keter Plastic Ltd.**, Herzelyia (IL)

(72) Inventor: **Yaron Brunner**, Timrat (IL)

(73) Assignee: **Keter Plastic Ltd.**, Herzelyia (IL)

(**) Term: **14 Years**

(21) Appl. No.: **29/457,812**

(22) Filed: **Jun. 13, 2013**

(51) **LOC (10) Cl.** **03-01**

(52) **U.S. Cl.**
USPC **D3/281**; D3/905

(58) **Field of Classification Search**
CPC . B25H 3/02–3/028; B25H 3/00; B25H 3/003;
B25H 3/006
USPC D3/273, 276, 279–284, 288, 291, 292,
D3/293, 294, 295, 297, 905; 206/372–379;
220/4.01
See application file for complete search history.

(56) **References Cited**

U.S. PATENT DOCUMENTS

D467,426 S * 12/2002 Hardigg et al. D3/279
D612,604 S * 3/2010 Horiyama et al. D3/281

D639,059 S * 6/2011 Fraiman et al. D3/282
D674,605 S * 1/2013 Vilkomirski et al. D3/281
2011/0074262 A1 * 3/2011 Liu 220/324
2011/0233096 A1 * 9/2011 Michels et al. 206/459.5
2012/0152944 A1 * 6/2012 Vilkomirski et al. 220/4.28
2013/0340653 A1 * 12/2013 Patstone 248/188.8

* cited by examiner

Primary Examiner — Jennifer Rivard

(74) *Attorney, Agent, or Firm* — Vorys, Sater, Seymour and Pease LLP; Susanne M. Hopkins; William L. Klima

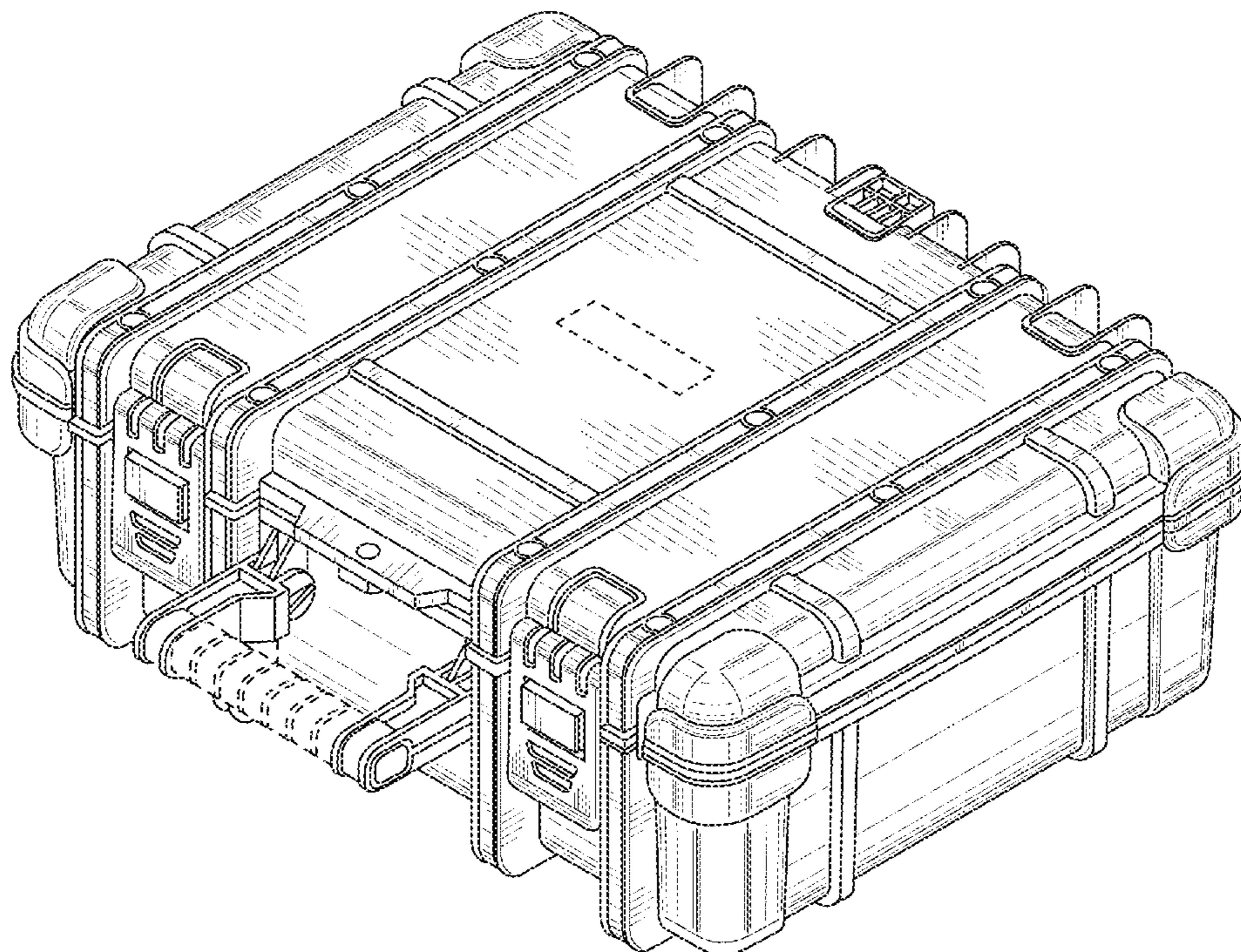
(57) **CLAIM**

The ornamental design for a tool case, as shown and described.

DESCRIPTION

FIG. 1 is a front perspective view of a tool case;
FIG. 2 is a front elevational view thereof,
FIG. 3 is a rear elevational view thereof,
FIG. 4 is a left-side elevational view thereof,
FIG. 5 is a right-side elevational view thereof; and,
FIG. 6 is a top planar view thereof.
The broken lines illustrate portions of the tool box and form no part of the claimed design.

1 Claim, 5 Drawing Sheets



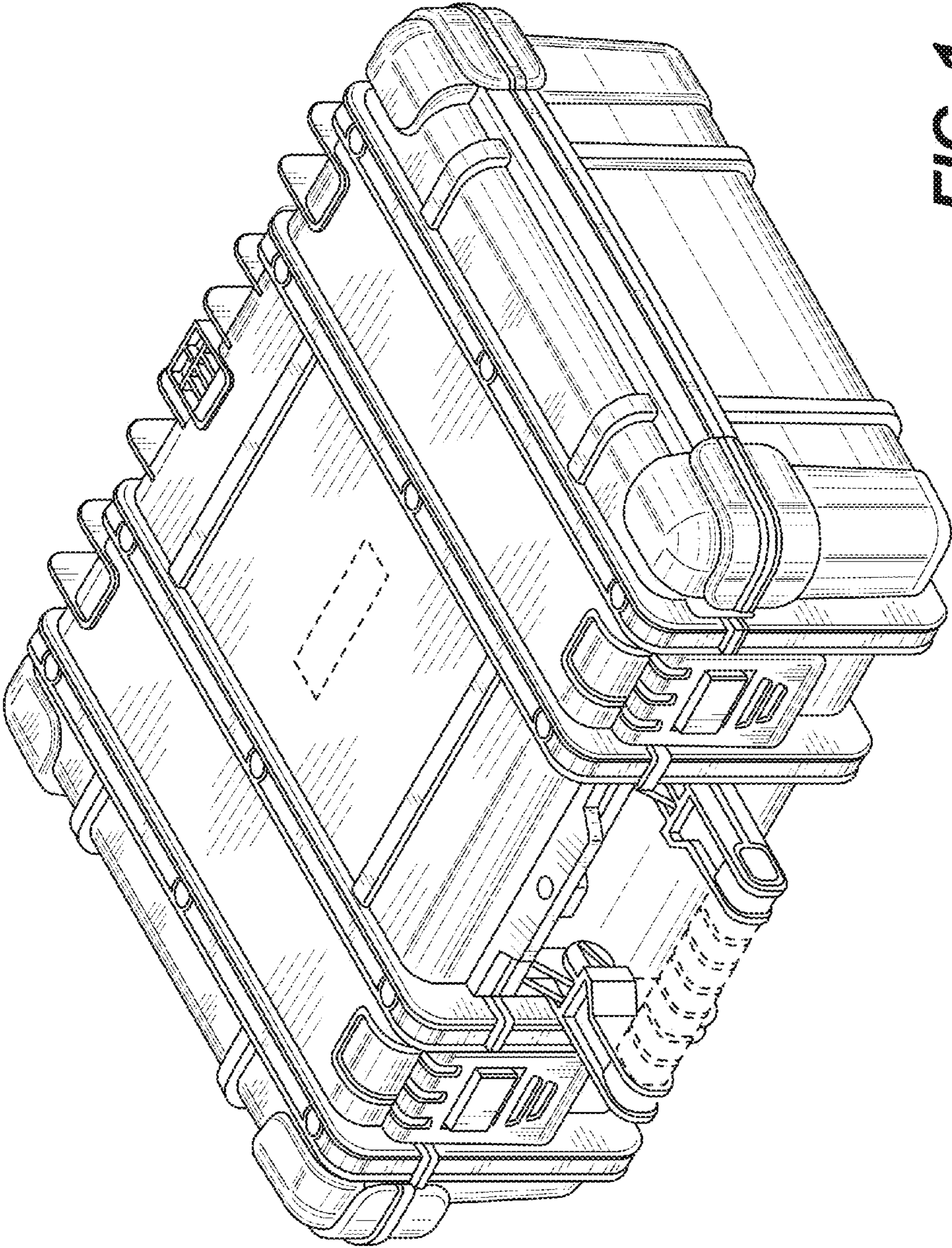


FIG. 1

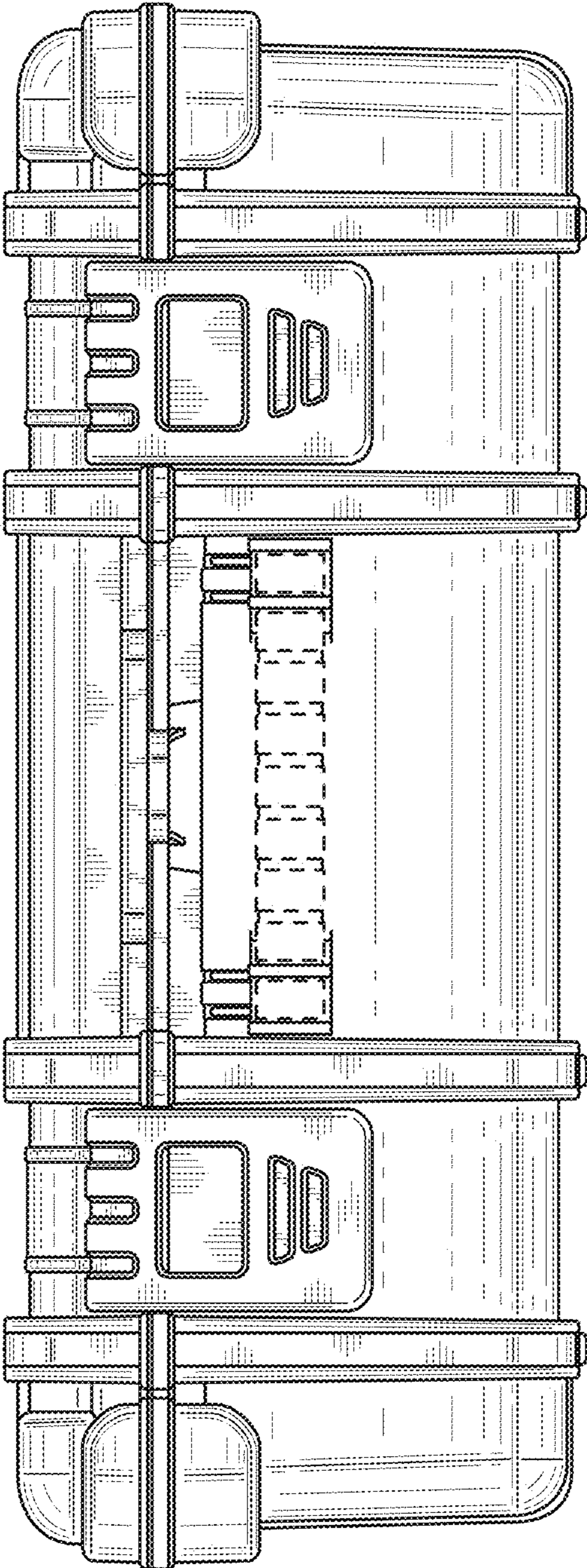


FIG. 2

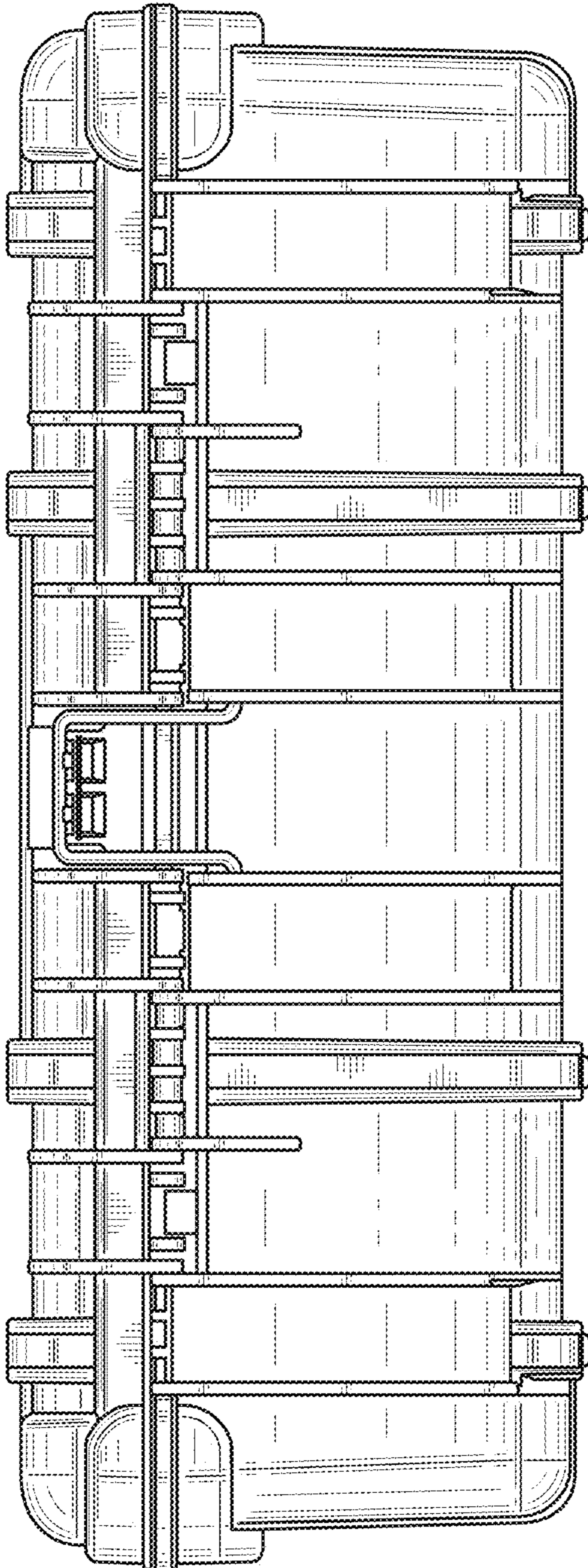


FIG. 3

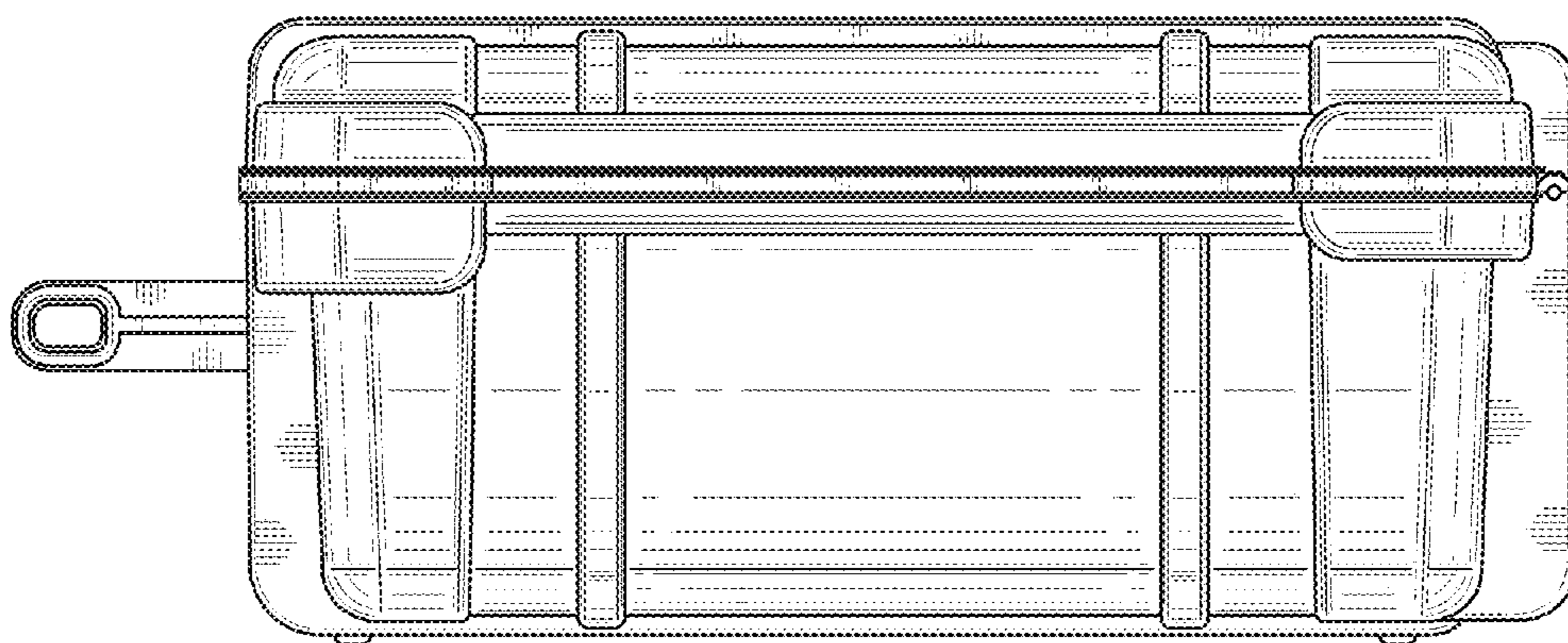


FIG. 4

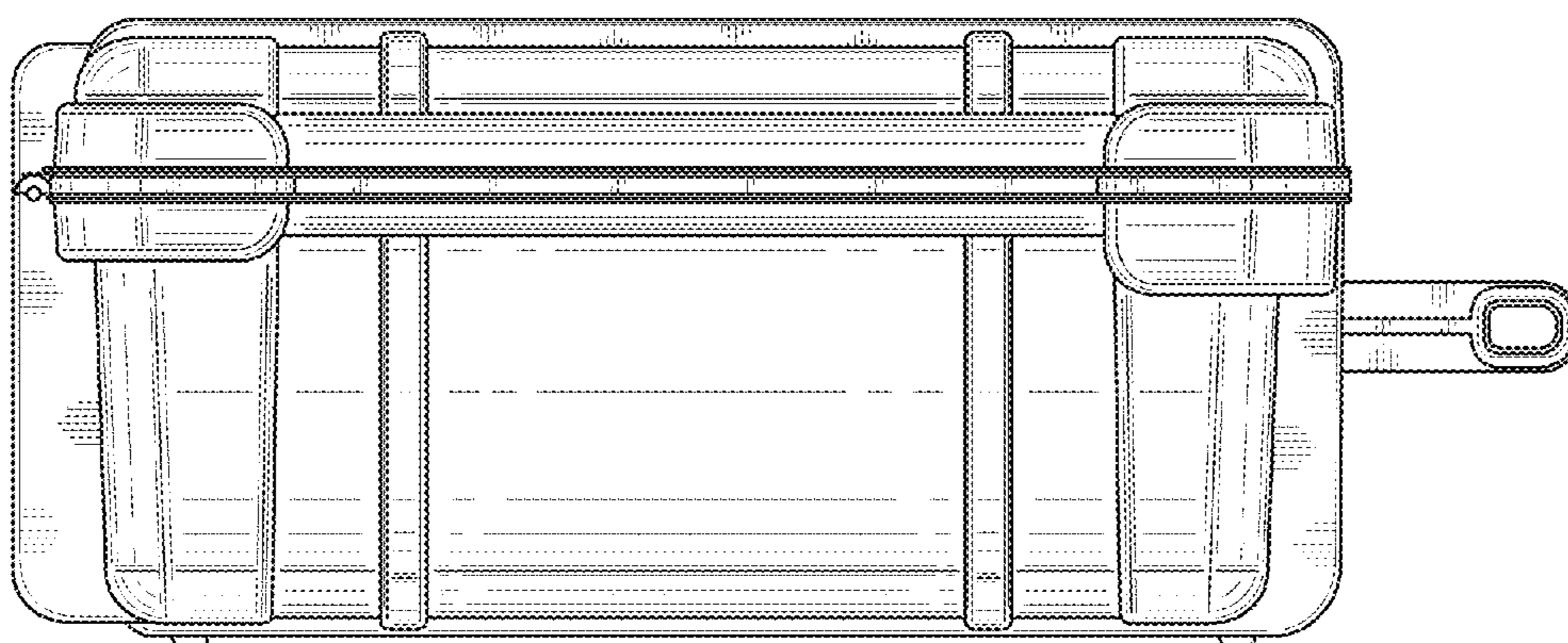


FIG. 5

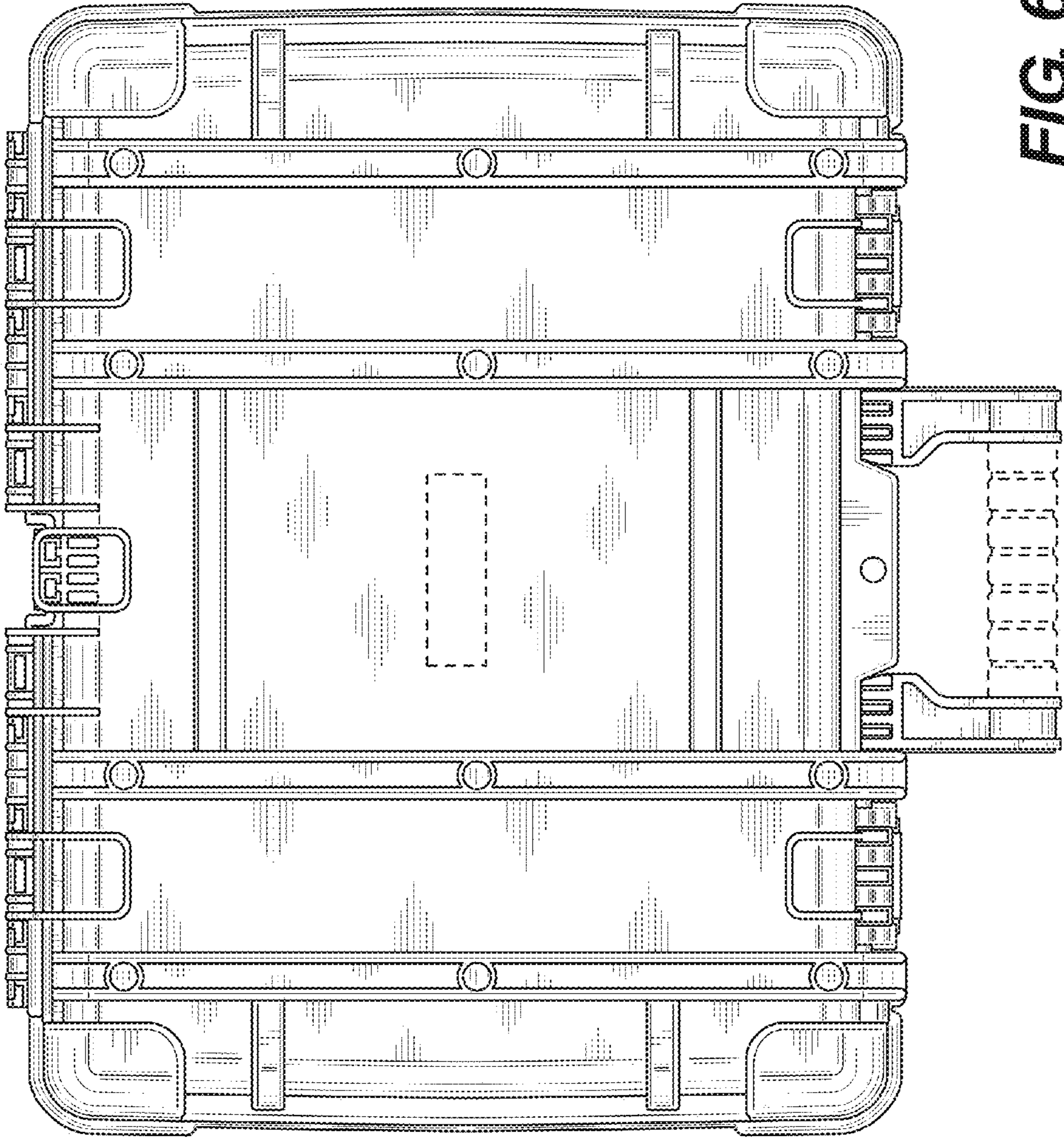


FIG. 6