



US00D711102S

(12) **United States Design Patent**
Nally et al.

(10) **Patent No.:** **US D711,102 S**
(45) **Date of Patent:** **** Aug. 19, 2014**

(54) **DART CASE**

(71) Applicant: **Eastpoint Sports Ltd., LLC**, Whippany, NJ (US)

(72) Inventors: **Michael J. Nally**, Whippany, NJ (US);
Adam B. Abramson, Oxford, NJ (US);
James P. Burns, Cranford, NJ (US)

(73) Assignee: **Eastpoint Sports Ltd., LLC**, Whippany, NJ (US)

(**) Term: **14 Years**

(21) Appl. No.: **29/449,366**

(22) Filed: **Mar. 15, 2013**

(51) **LOC (10) Cl.** **03-01**

(52) **U.S. Cl.**
USPC **D3/254**

(58) **Field of Classification Search**
USPC D9/415, 418, 756; D3/20, 28, 203.8,
D3/221, 254, 260, 269, 294; 206/37, 37.1,
206/315.1, 315.11
See application file for complete search history.

(56) **References Cited**

U.S. PATENT DOCUMENTS

D265,461 S * 7/1982 Valley D3/254
D350,231 S * 9/1994 Giegerich D3/254

D359,617 S * 6/1995 Schmid et al. D3/221
D411,449 S * 6/1999 Voden D9/415
D437,778 S * 2/2001 Voden et al. D9/418
D439,158 S * 3/2001 Forakis D9/418
D646,985 S * 10/2011 Roesler D9/756
D646,986 S * 10/2011 Roesler D9/756
D646,987 S * 10/2011 Roesler D9/756

* cited by examiner

Primary Examiner — Cathron Brooks

Assistant Examiner — Ethiene Salgado-Rodriguez

(74) *Attorney, Agent, or Firm* — Thomas J. Oppold; Larkin Hoffman Daly & Lindgren, Ltd.

(57) **CLAIM**

The ornamental design for a dart case, as shown and described.

DESCRIPTION

FIG. 1 is perspective view of the dart case of the present design in a closed configuration.

FIG. 2 is a left side elevation view of the dart case of FIG. 1.

FIG. 3 is a right side elevation view of the dart case of FIG. 1.

FIG. 4 is a top plan view of the of the dart case of FIG. 1.

FIG. 5 is a bottom plan view of the dart case of FIG. 1.

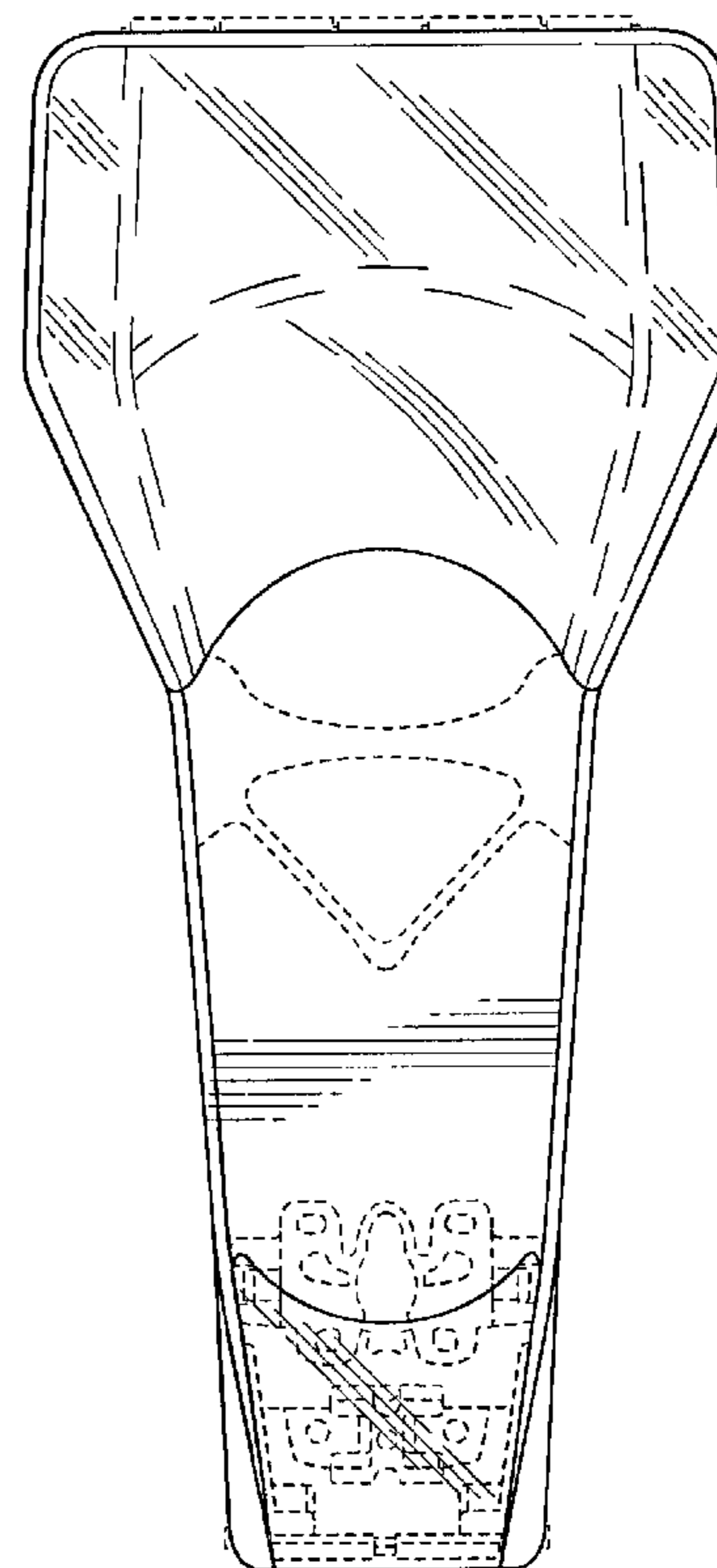
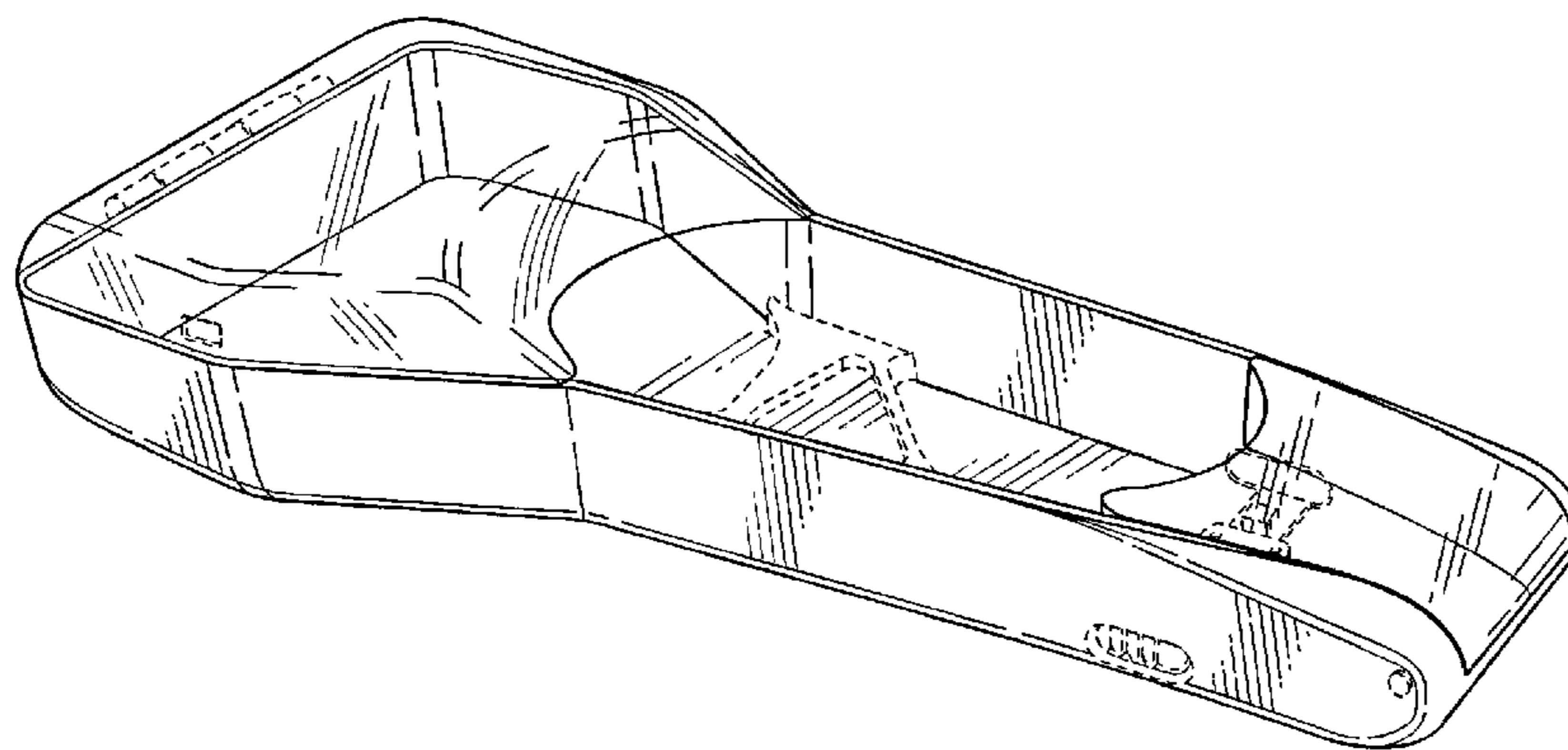
FIG. 6 is a front elevation view of the dart case of FIG. 1.

FIG. 7 is a rear elevation view of the dart case of FIG. 1; and,

FIG. 8 is perspective view of the dart case of FIG. 1 in an opened configuration.

The broken lines in the figures are for the purpose of illustrating portions of the dart case and form no part of the claimed design.

1 Claim, 6 Drawing Sheets



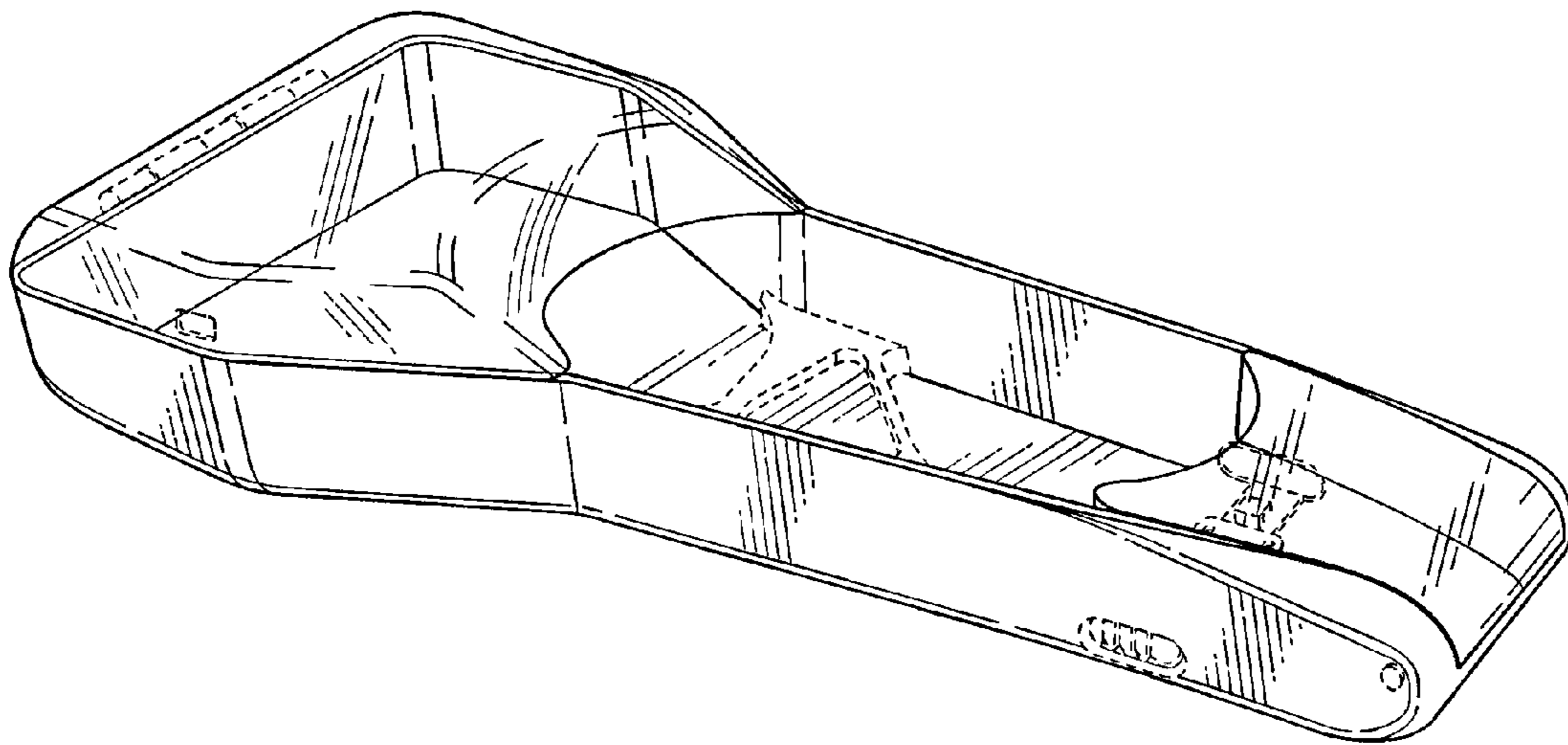


FIG. 1

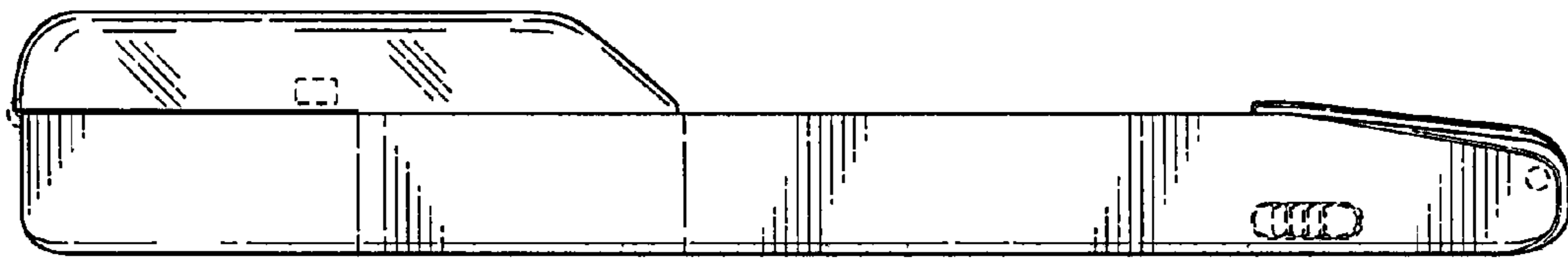


FIG. 2

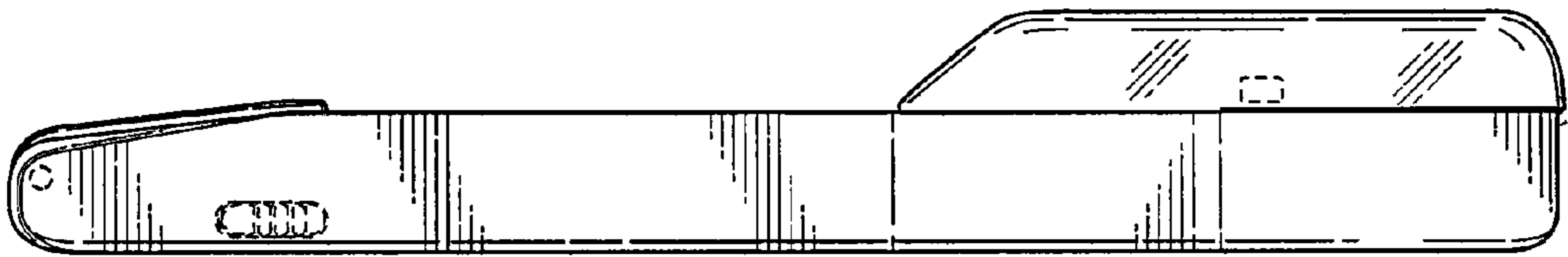


FIG. 3

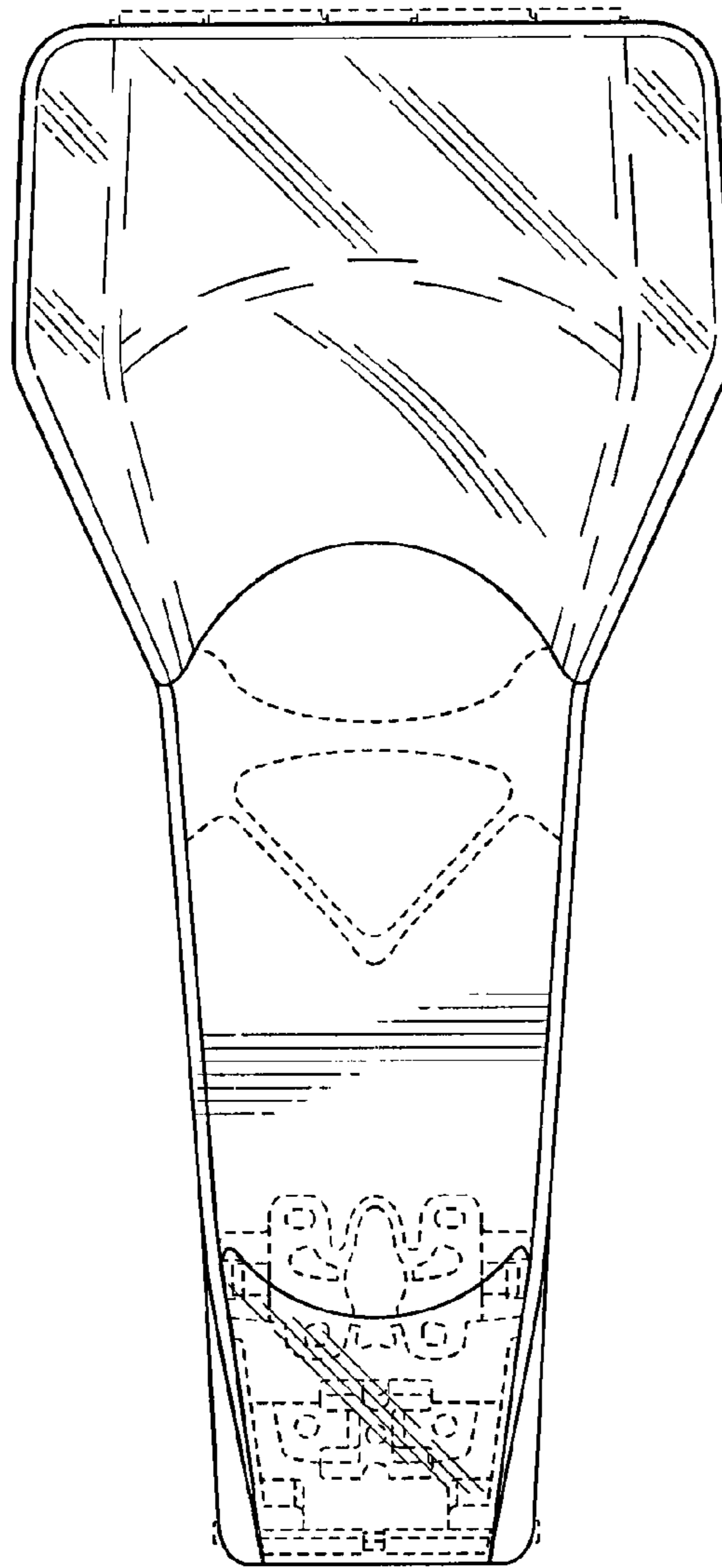


FIG. 4

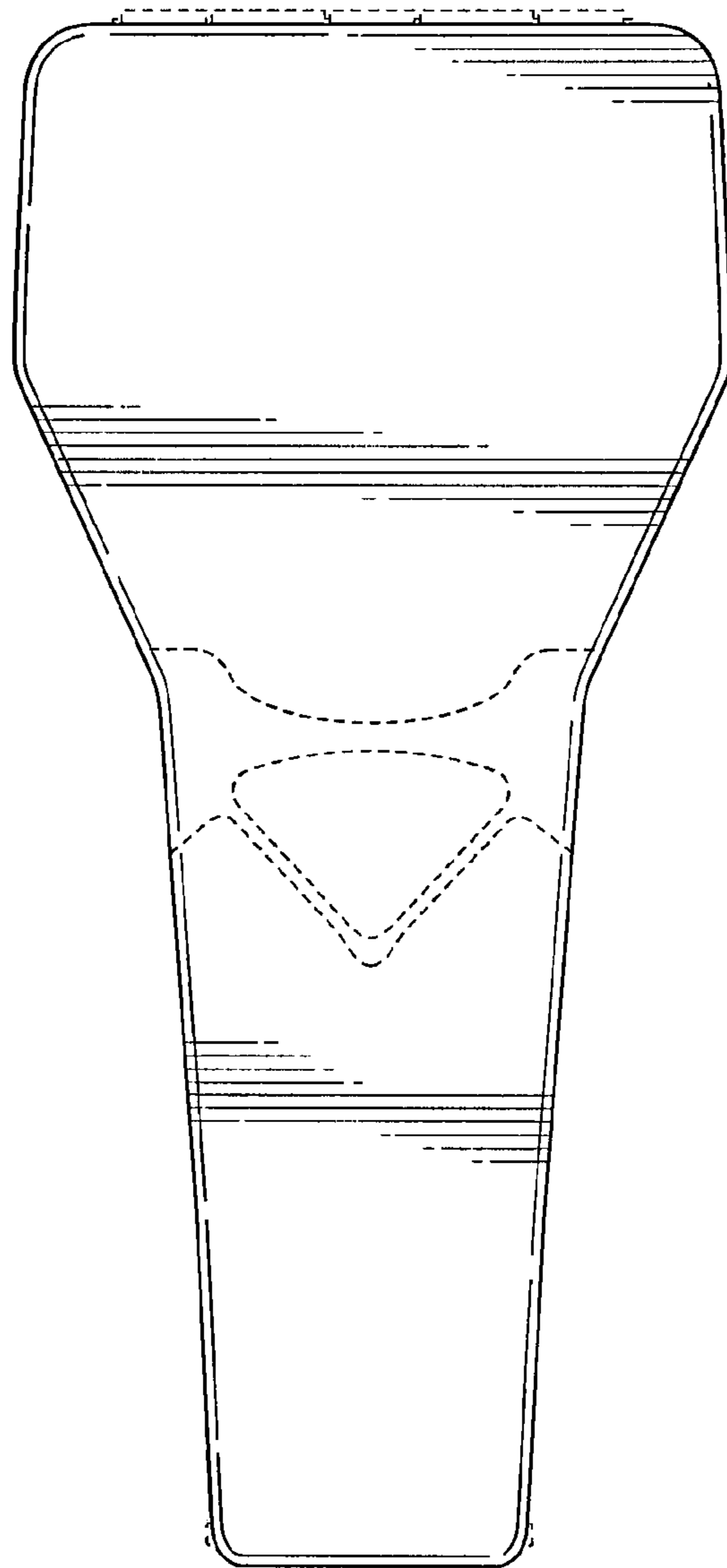


FIG. 5

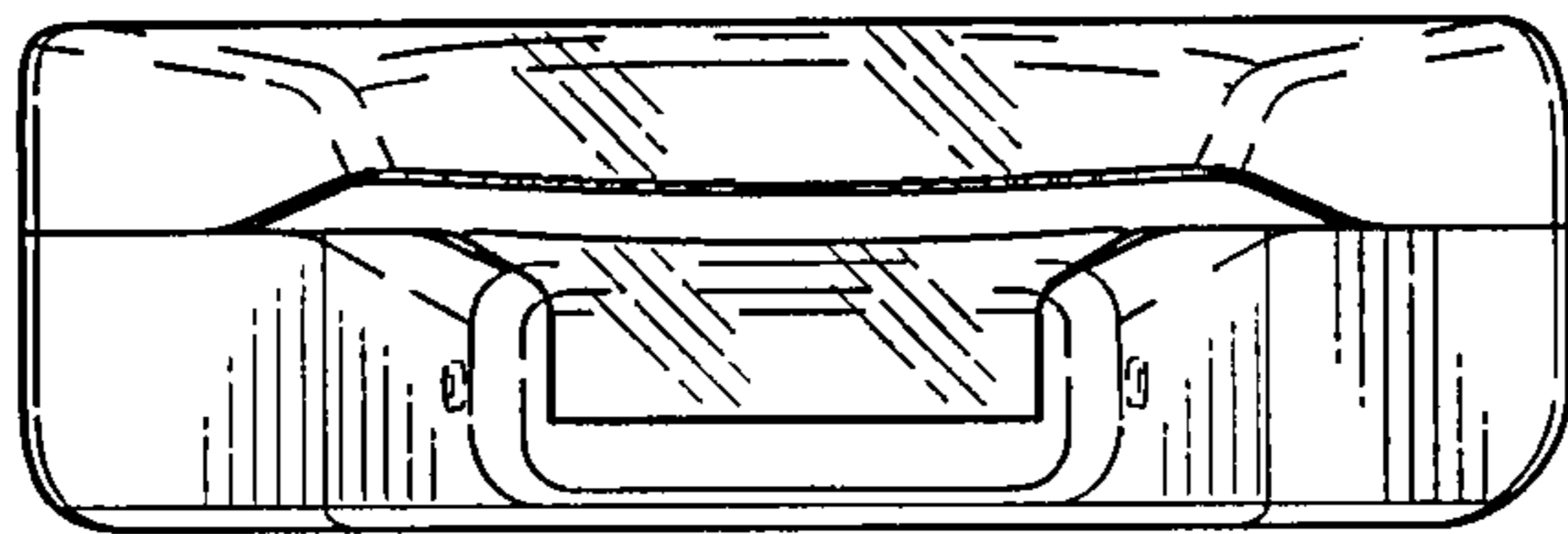


FIG. 6

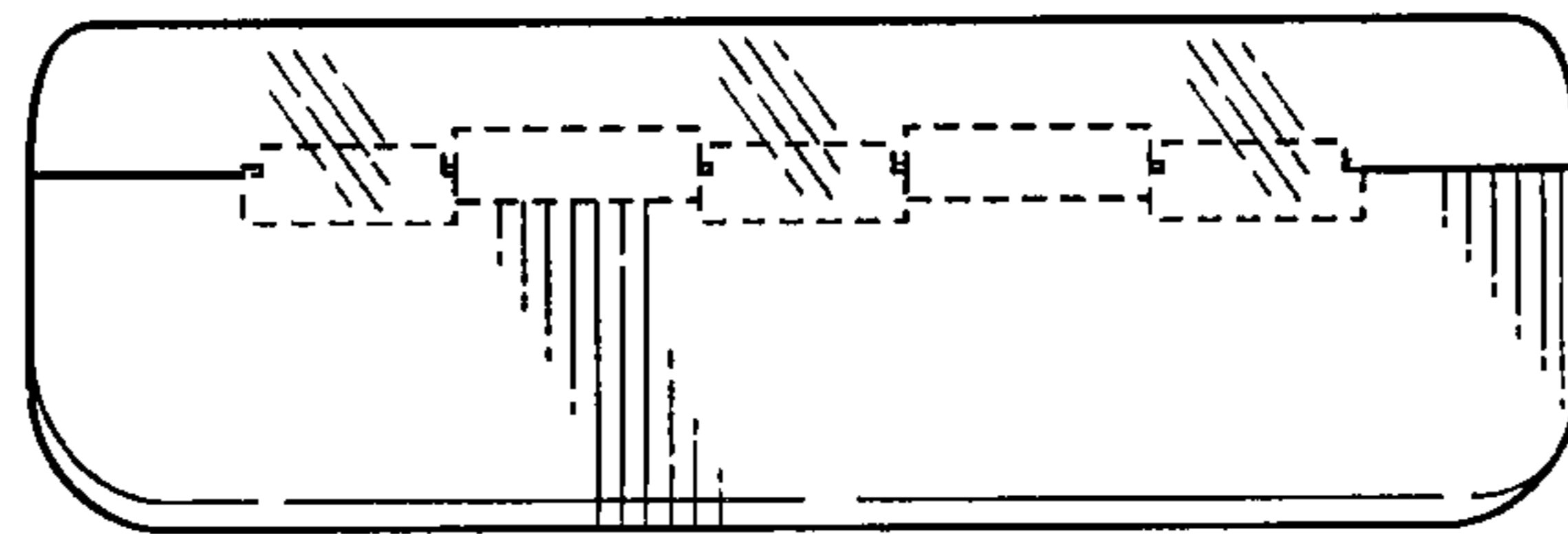


FIG. 7

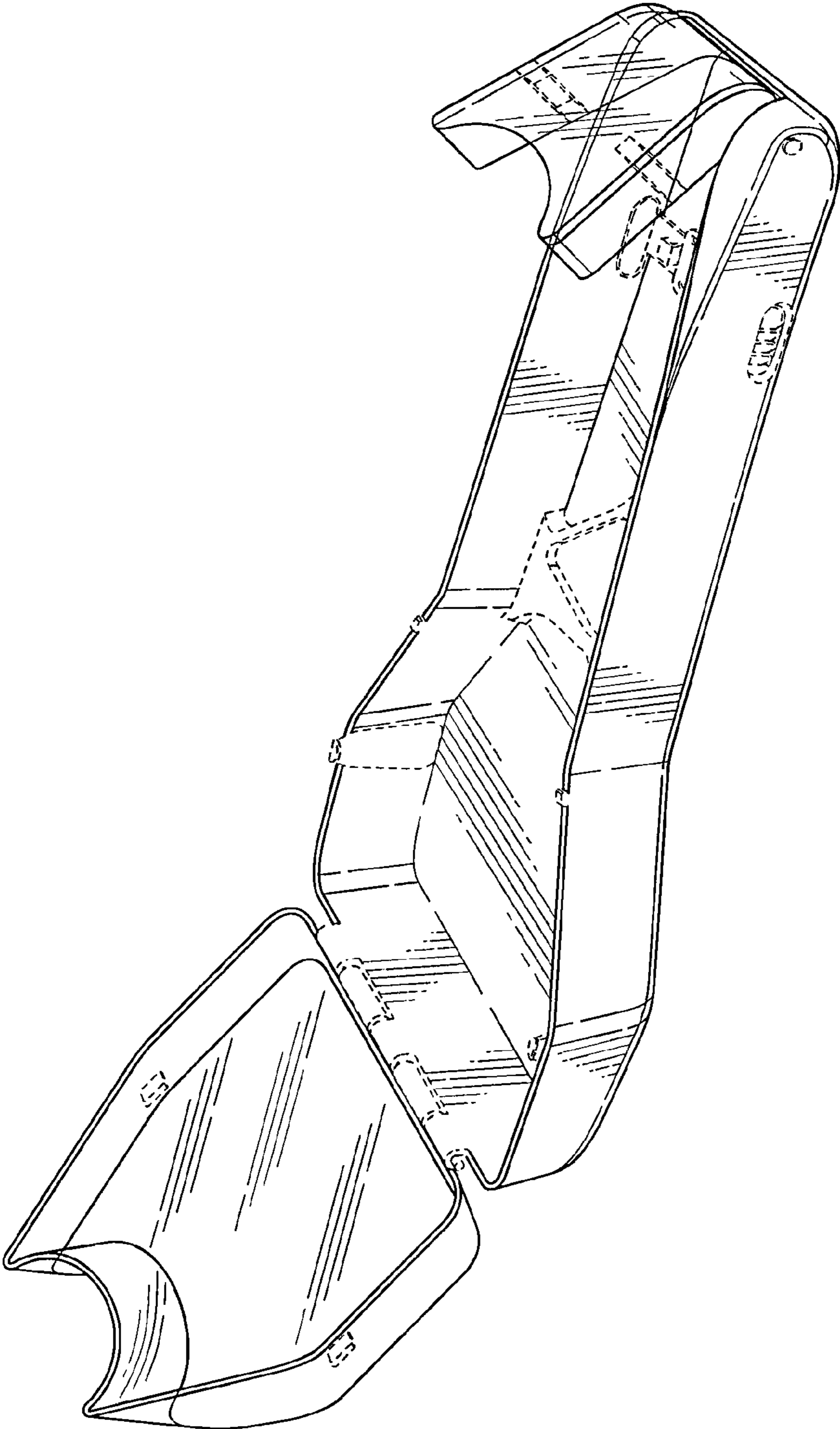


FIG. 8