



US00D711095S

(12) **United States Design Patent**
Chen

(10) **Patent No.:** **US D711,095 S**

(45) **Date of Patent:** **** Aug. 19, 2014**

(54) **HANDBAG**

(71) Applicant: **Ping-Chien Chen**, Tainan (TW)

(72) Inventor: **Ping-Chien Chen**, Tainan (TW)

(**) Term: **14 Years**

(21) Appl. No.: **29/460,559**

(22) Filed: **Jul. 12, 2013**

(51) **LOC (10) Cl.** **03-01**

(52) **U.S. Cl.**
USPC **D3/232**

(58) **Field of Classification Search**
CPC A45C 1/024; A45C 3/06
USPC D3/232-233, 240-243, 245-246;
150/100, 103-110, 113-114, 117-119

See application file for complete search history.

(56) **References Cited**

U.S. PATENT DOCUMENTS

D31,053 S * 6/1899 Lehman D3/241
D666,809 S * 9/2012 Hermann D3/232

* cited by examiner

Primary Examiner — Holly Baynham

(74) *Attorney, Agent, or Firm* — Chun-Ming Shih

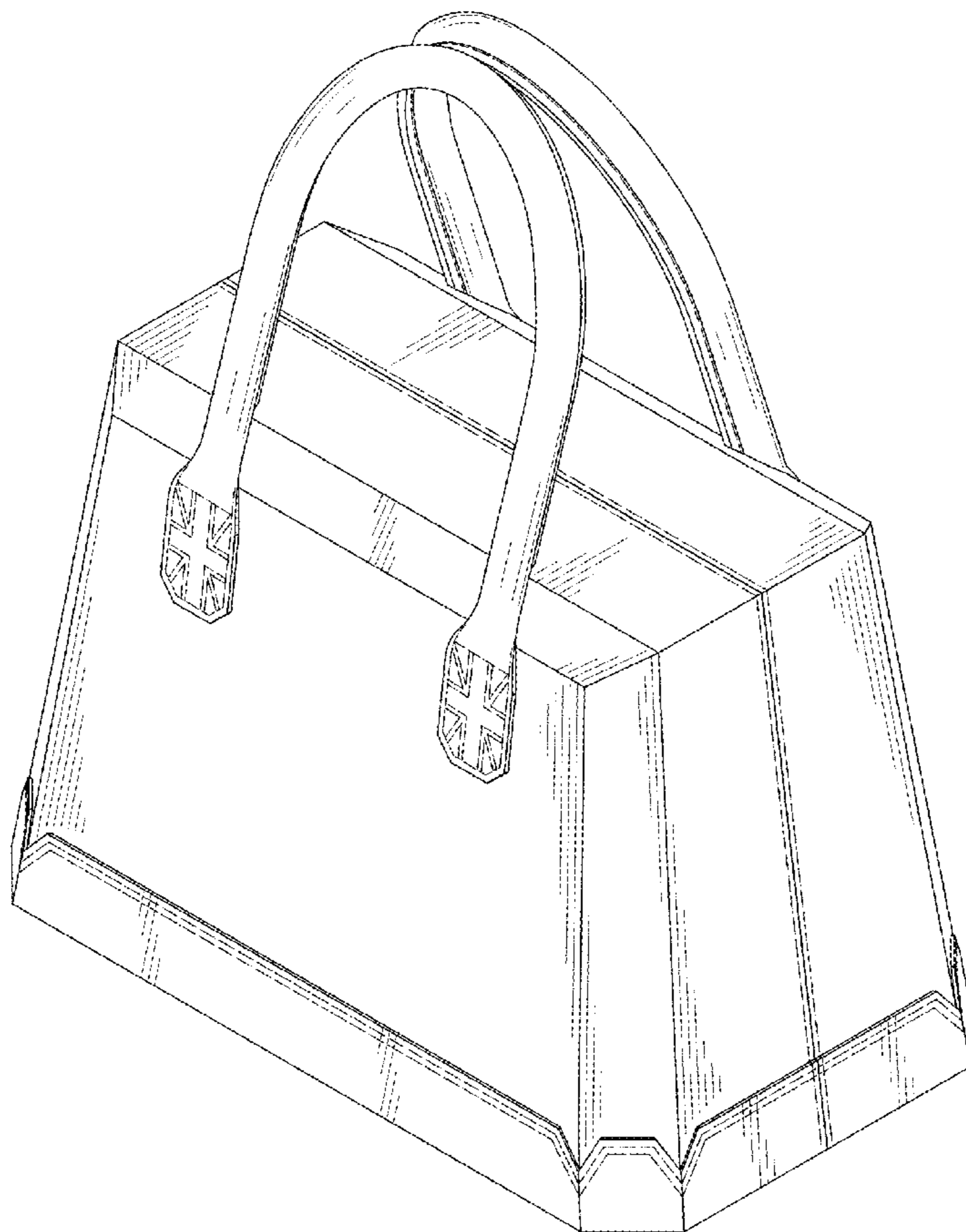
(57) **CLAIM**

The ornamental design for a handbag, as shown and described.

DESCRIPTION

FIG. 1 is a perspective view of a handbag showing my design;
FIG. 2 is a front elevational view thereof;
FIG. 3 is a rear elevational view thereof;
FIG. 4 is a left side elevational view thereof;
FIG. 5 is a right side elevational view thereof;
FIG. 6 is a top plan view thereof; and,
FIG. 7 is a bottom plan view thereof.

1 Claim, 7 Drawing Sheets



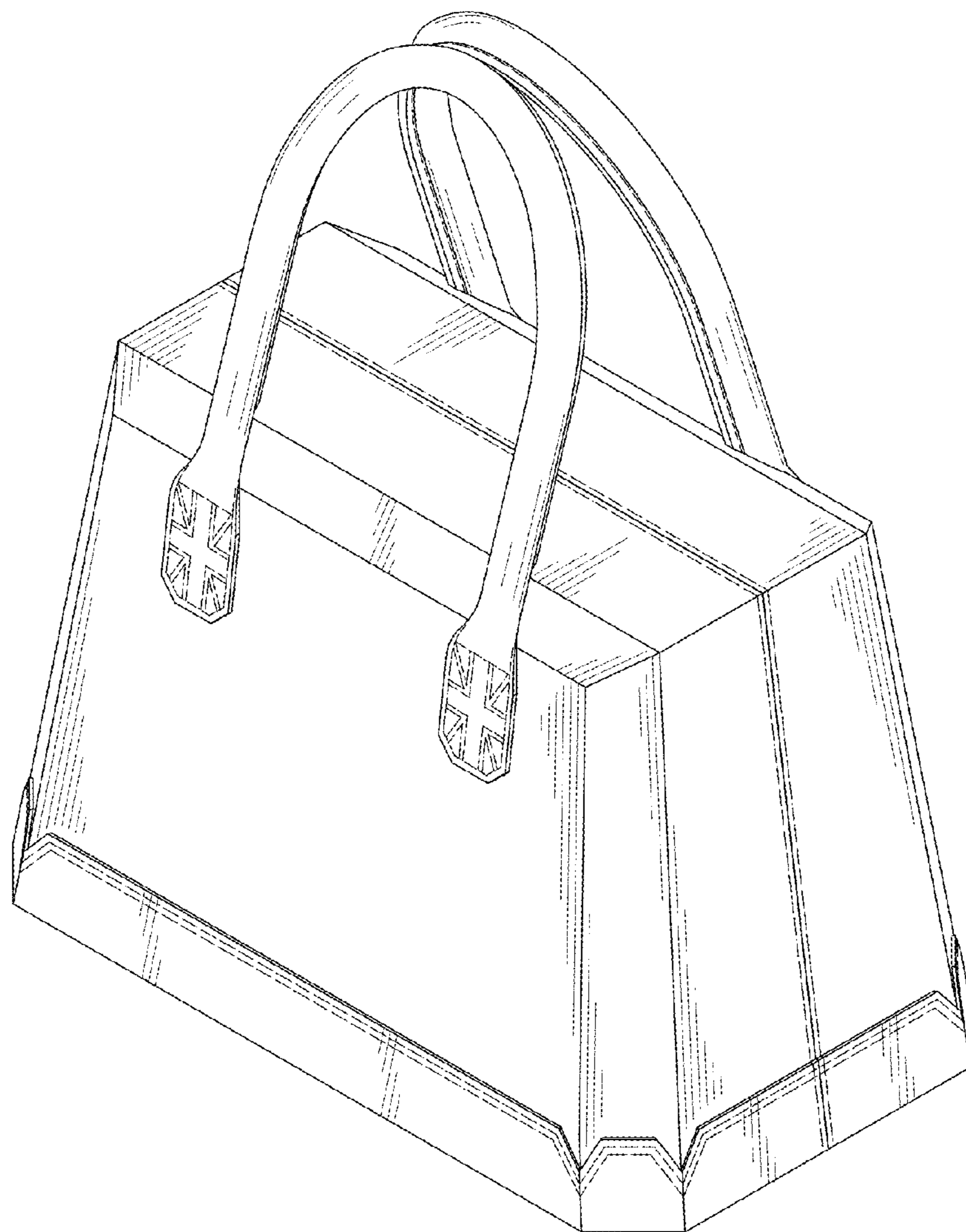


FIG. 1

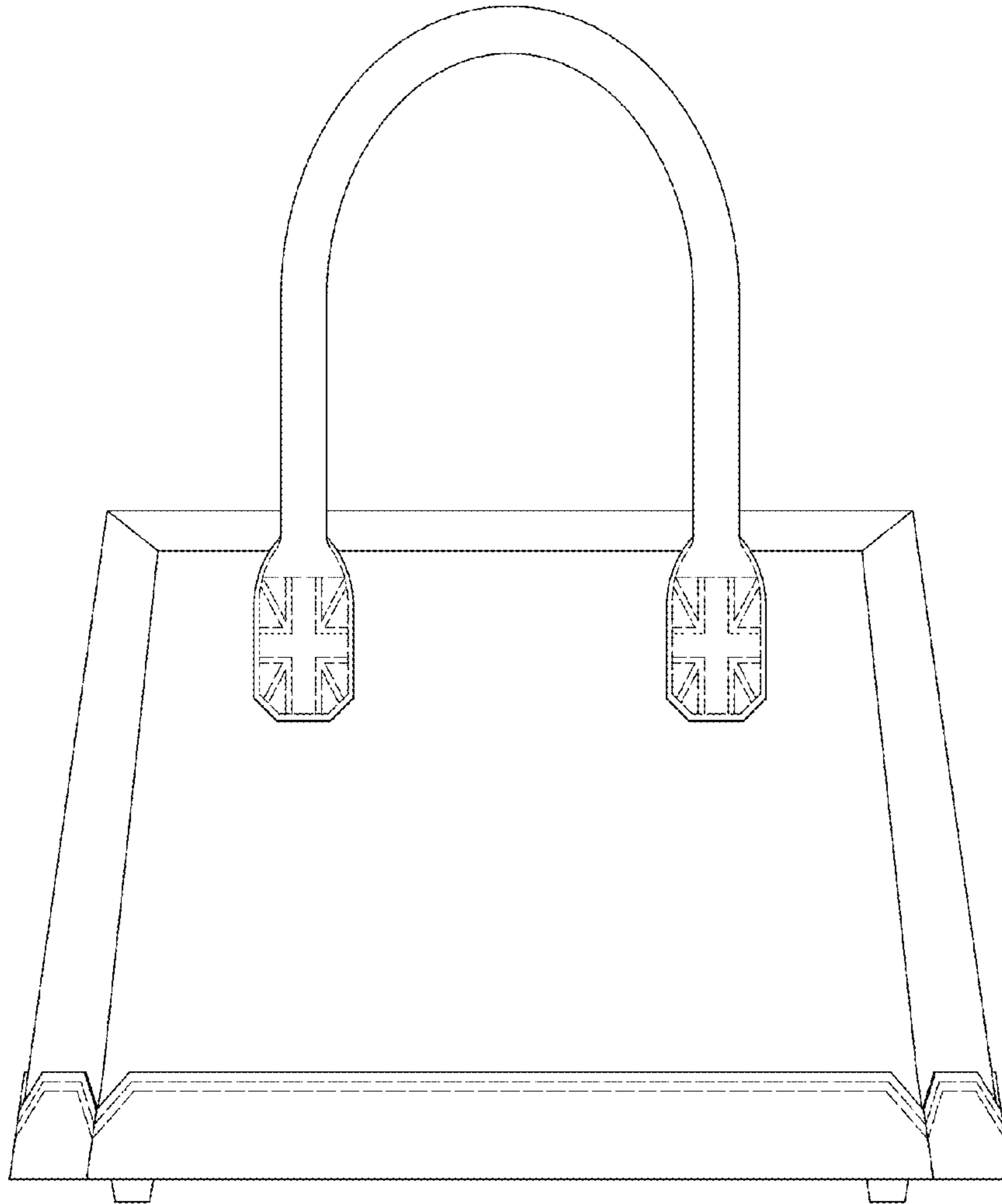


FIG. 2

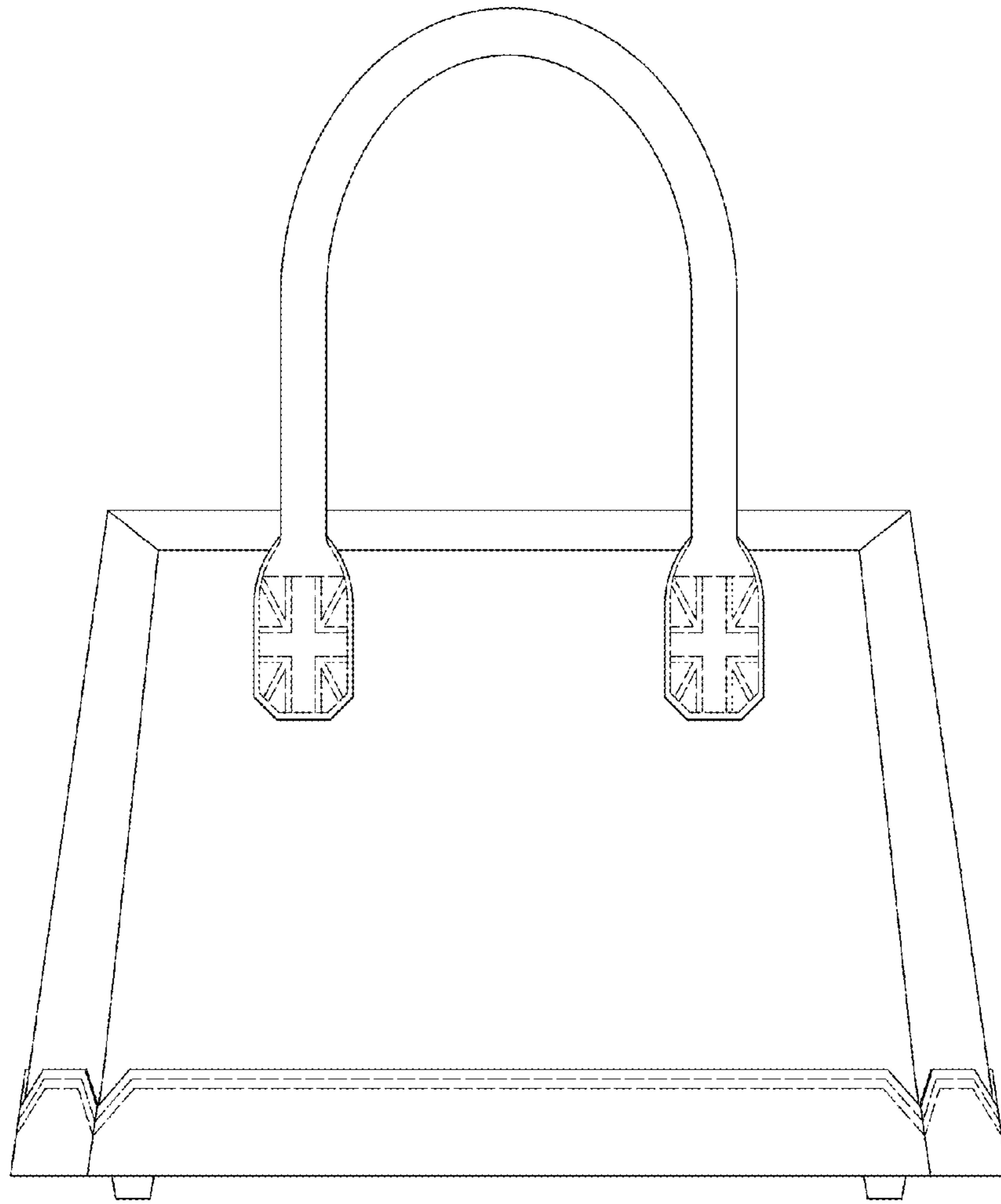


FIG. 3

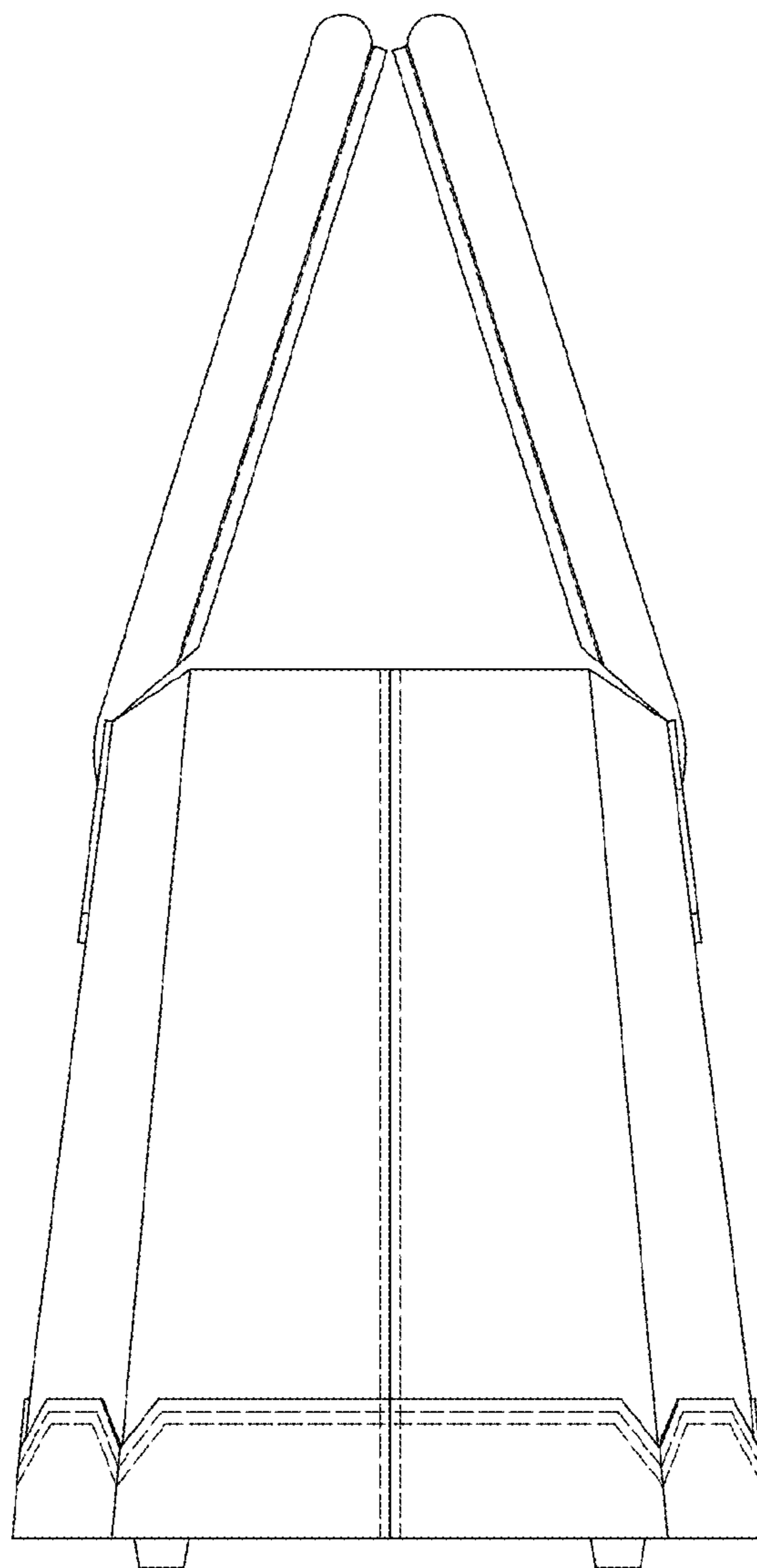


FIG. 4

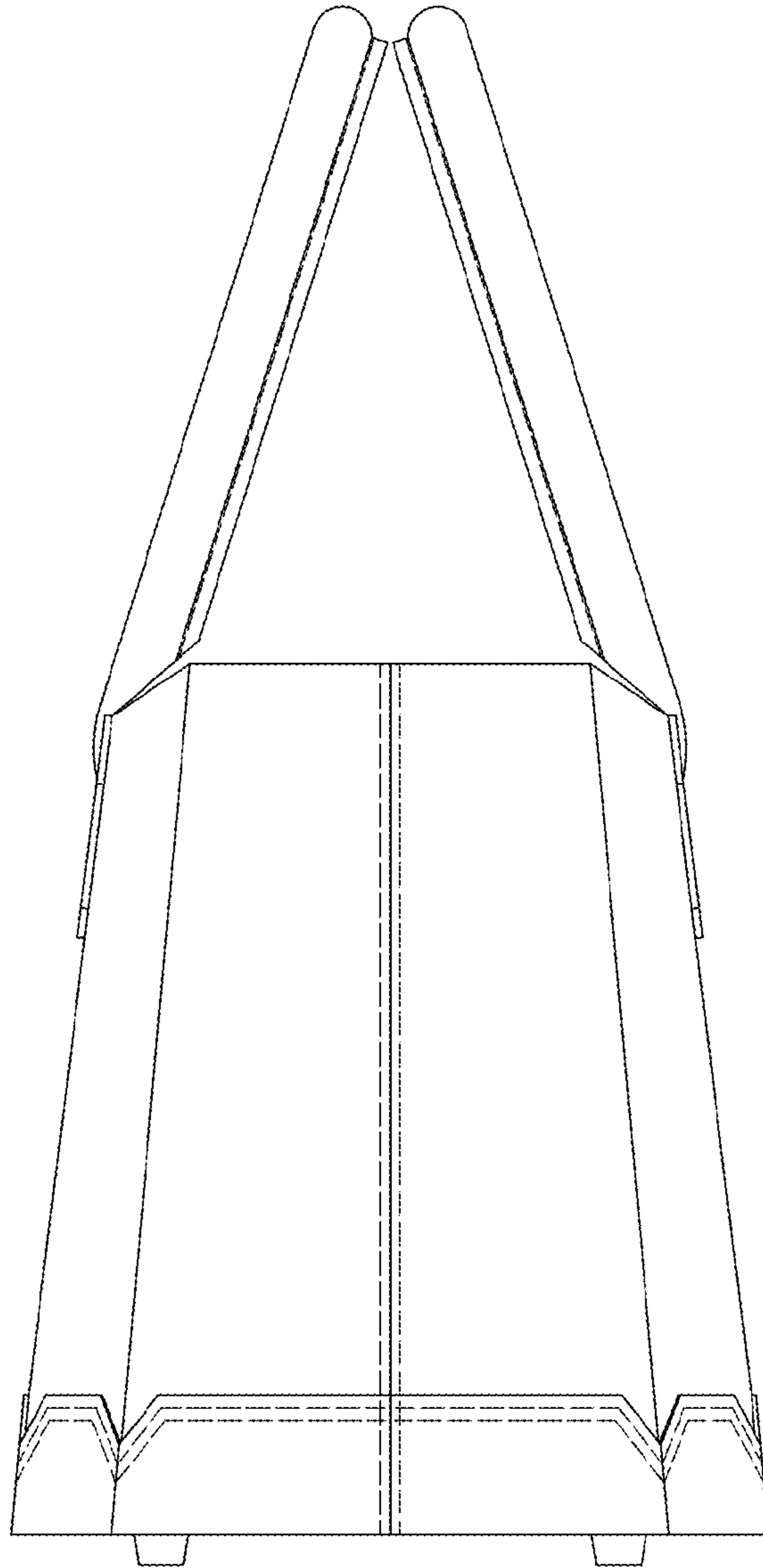


FIG. 5

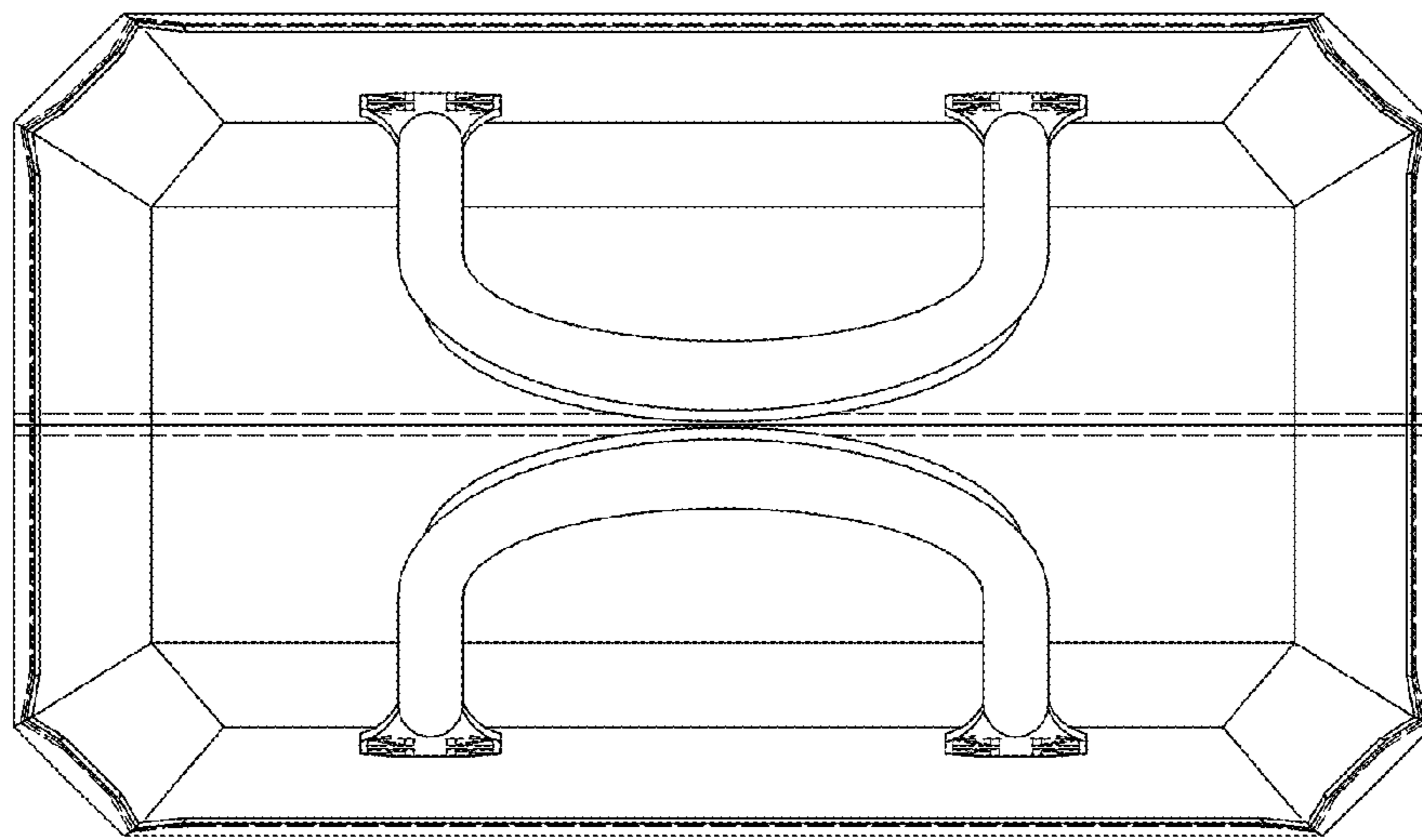


FIG. 6

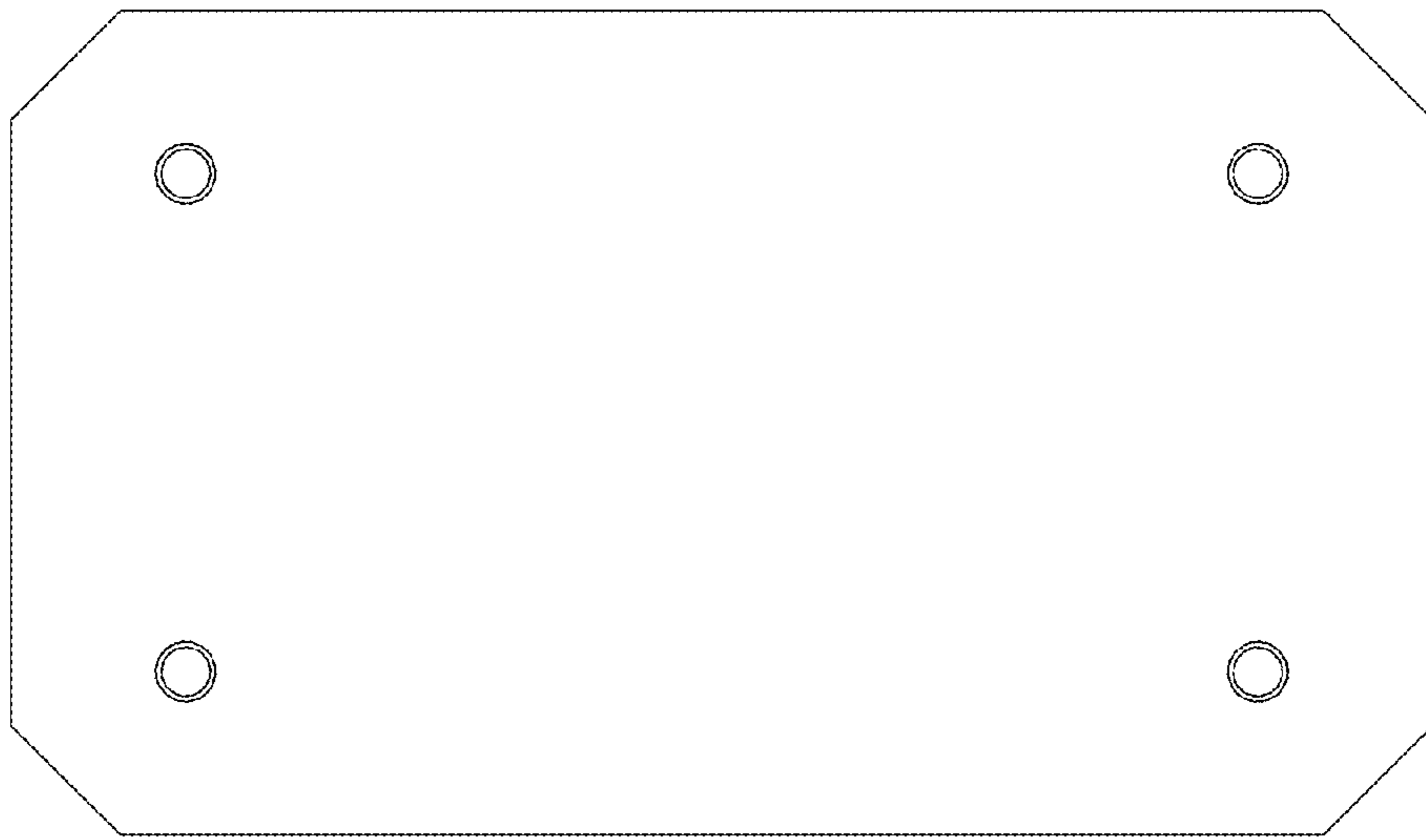


FIG. 7