



US00D711093S

(12) **United States Design Patent**
Alamdar

(10) **Patent No.:** **US D711,093 S**

(45) **Date of Patent:** **** Aug. 19, 2014**

(54) **SADDLEBAG**

(71) Applicant: **Husnain Alamdar**, San Gabriel, CA
(US)

(72) Inventor: **Husnain Alamdar**, San Gabriel, CA
(US)

(**) Term: **14 Years**

(21) Appl. No.: **29/450,619**

(22) Filed: **Mar. 20, 2013**

(51) **LOC (10) Cl.** **03-01**

(52) **U.S. Cl.**
USPC **D3/231**

(58) **Field of Classification Search**
CPC A45C 15/00; A45C 2009/00; A45C
2009/005; A45C 3/00; A45C 2007/00; A45C
2005/035; A45F 3/04; A45F 3/021
USPC D3/231-232; 224/578, 609
See application file for complete search history.

(56) **References Cited**

U.S. PATENT DOCUMENTS

D152,530 S *	2/1949	Hampel	D12/409
D278,225 S *	4/1985	Heiman et al.	D12/409
D365,322 S *	12/1995	Hrib	D12/409
6,010,050 A *	1/2000	Tarr	224/578
D651,965 S *	1/2012	Sanders	D12/409

* cited by examiner

Primary Examiner — Holly Baynham

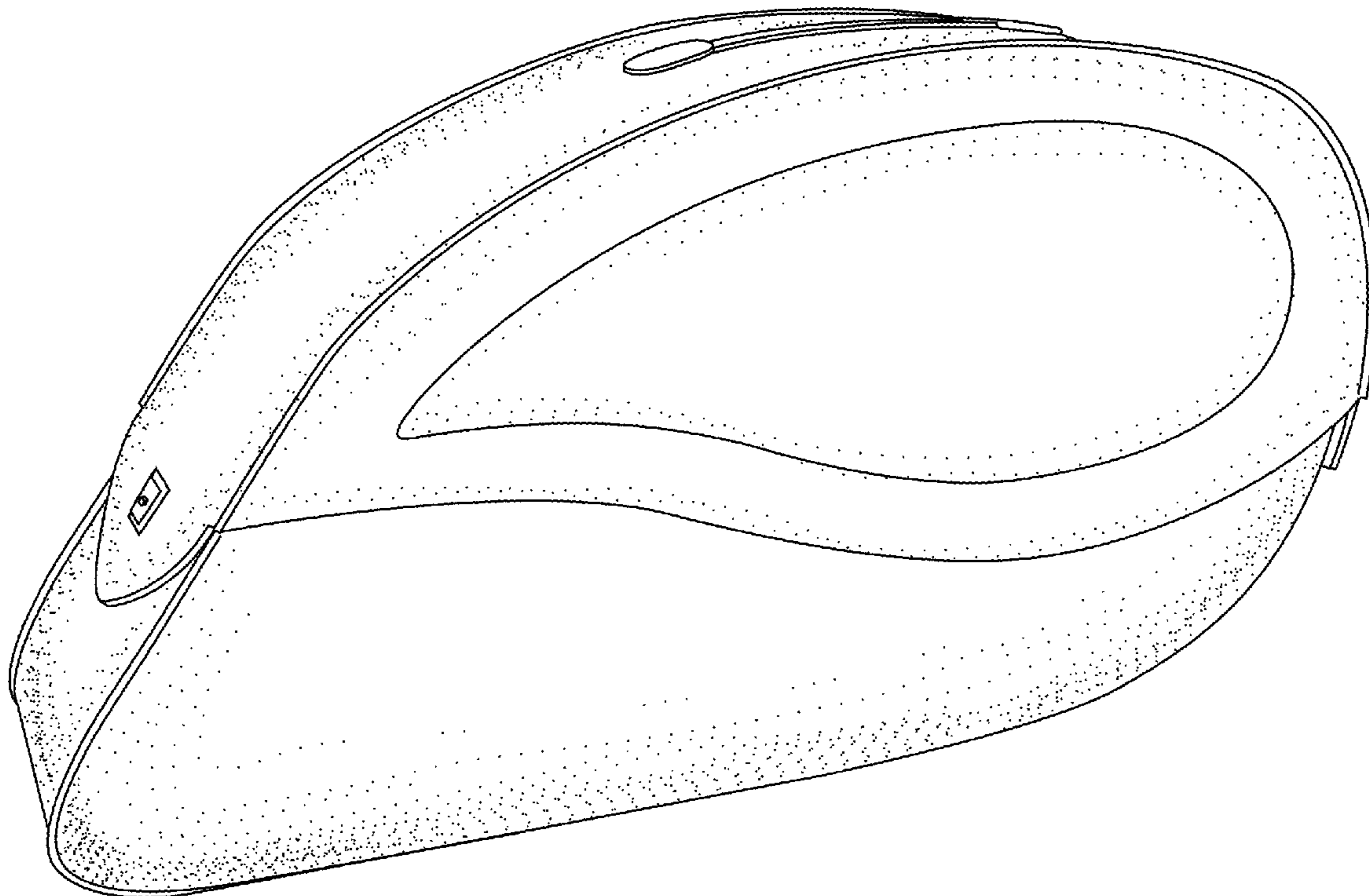
(57) **CLAIM**

The ornamental design for a saddlebag, as shown and described.

DESCRIPTION

FIG. 1 is a perspective view of a saddlebag;
FIG. 2 is a front view thereof;
FIG. 3 is a rear view thereof;
FIG. 4 is a right view thereof;
FIG. 5 is a left view thereof;
FIG. 6 is atop thereof;
FIG. 7 is a bottom view thereof; and,
FIG. 8 is a perspective view of a saddlebag with the top folded open, revealing the interior of the saddlebag.

1 Claim, 8 Drawing Sheets



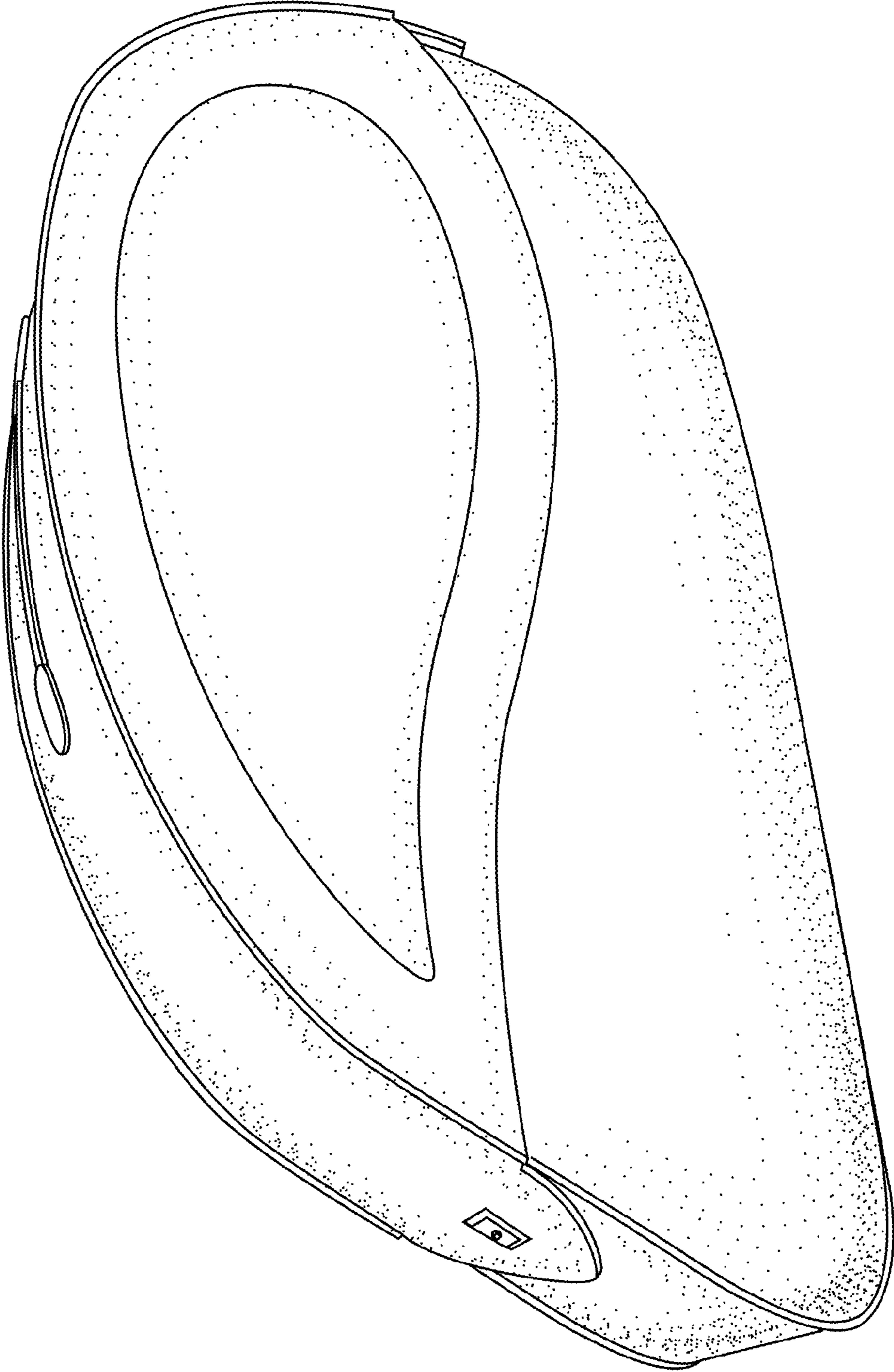


FIG. 1

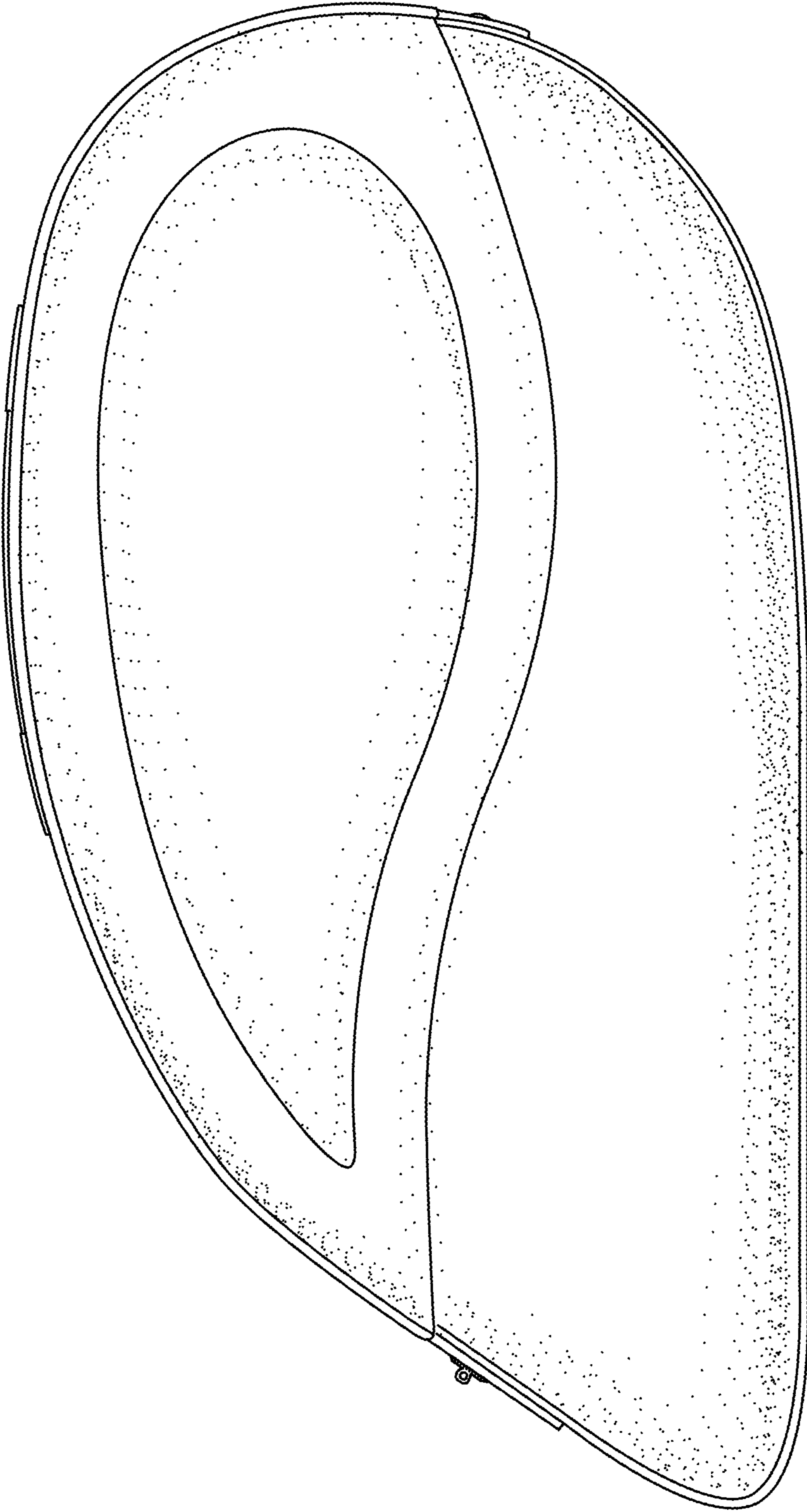


FIG. 2

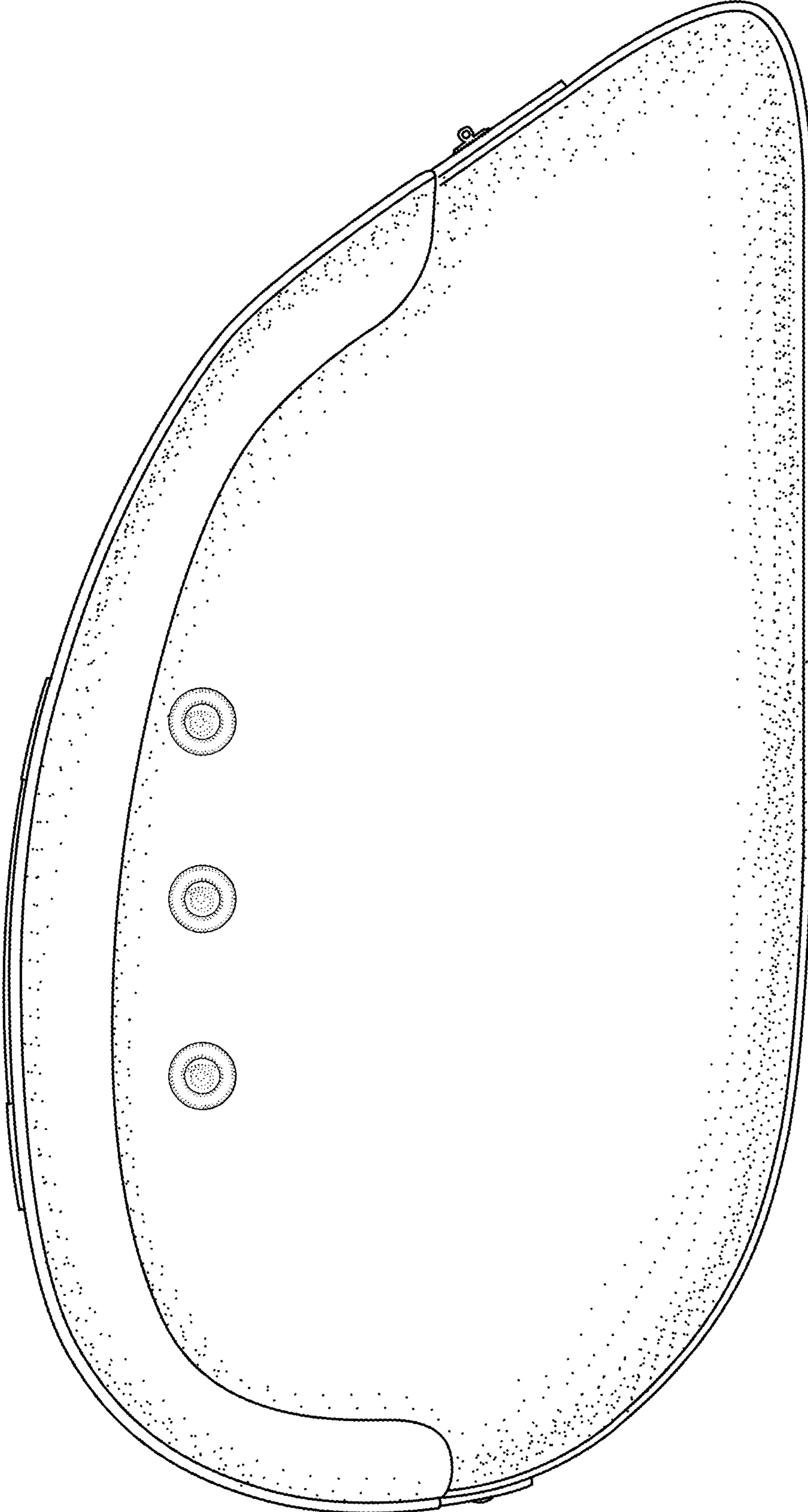


FIG. 3

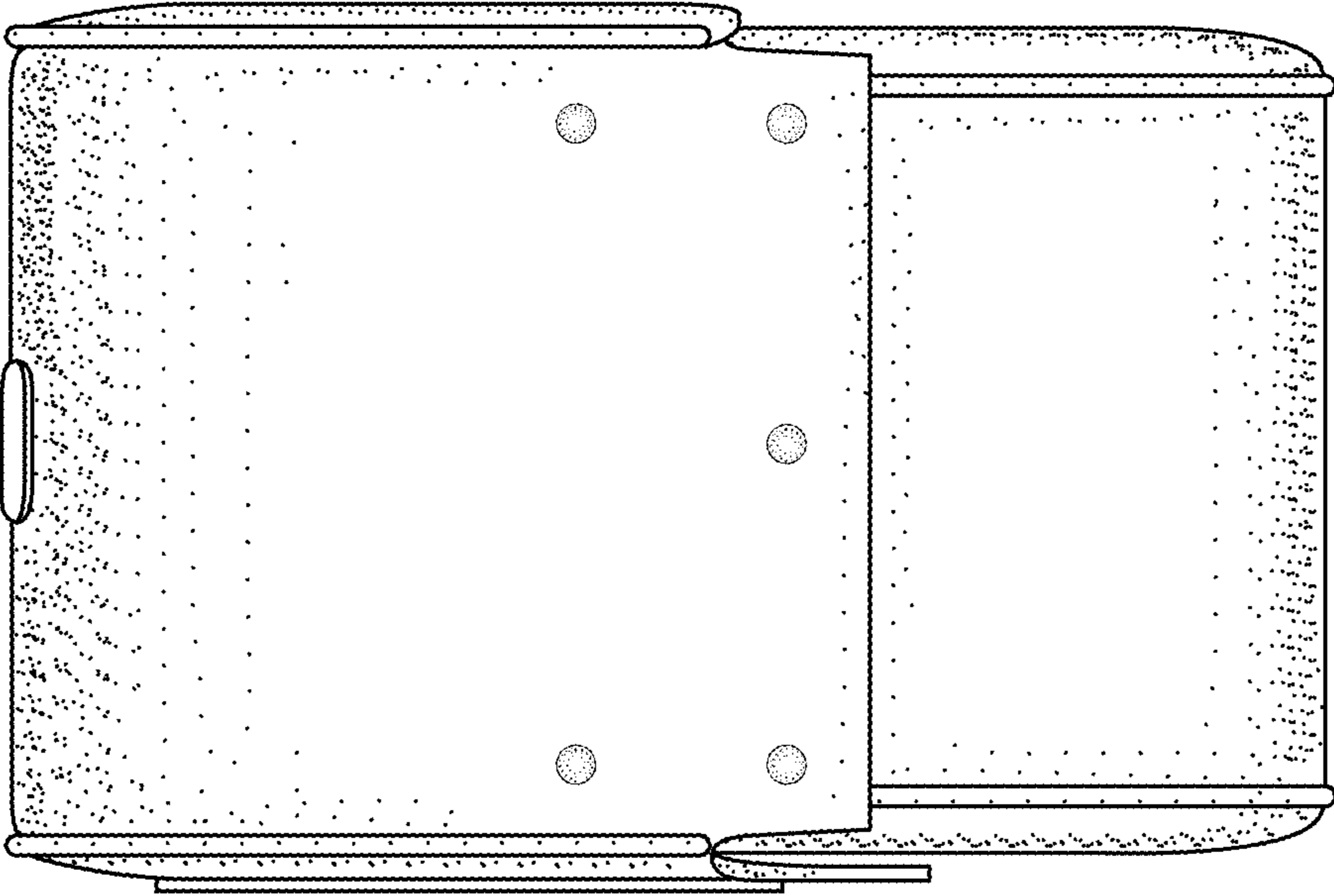


FIG. 4

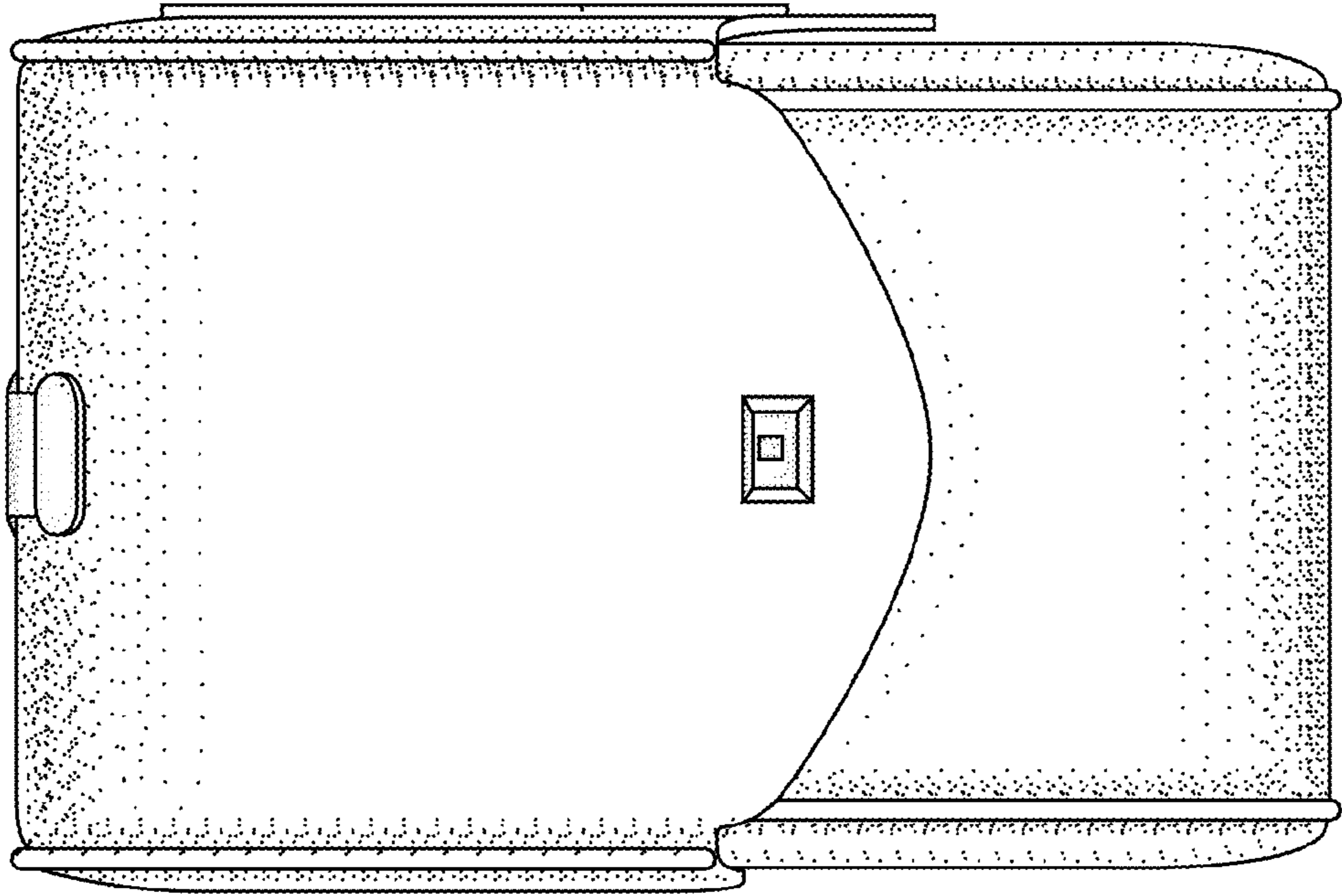


FIG. 5

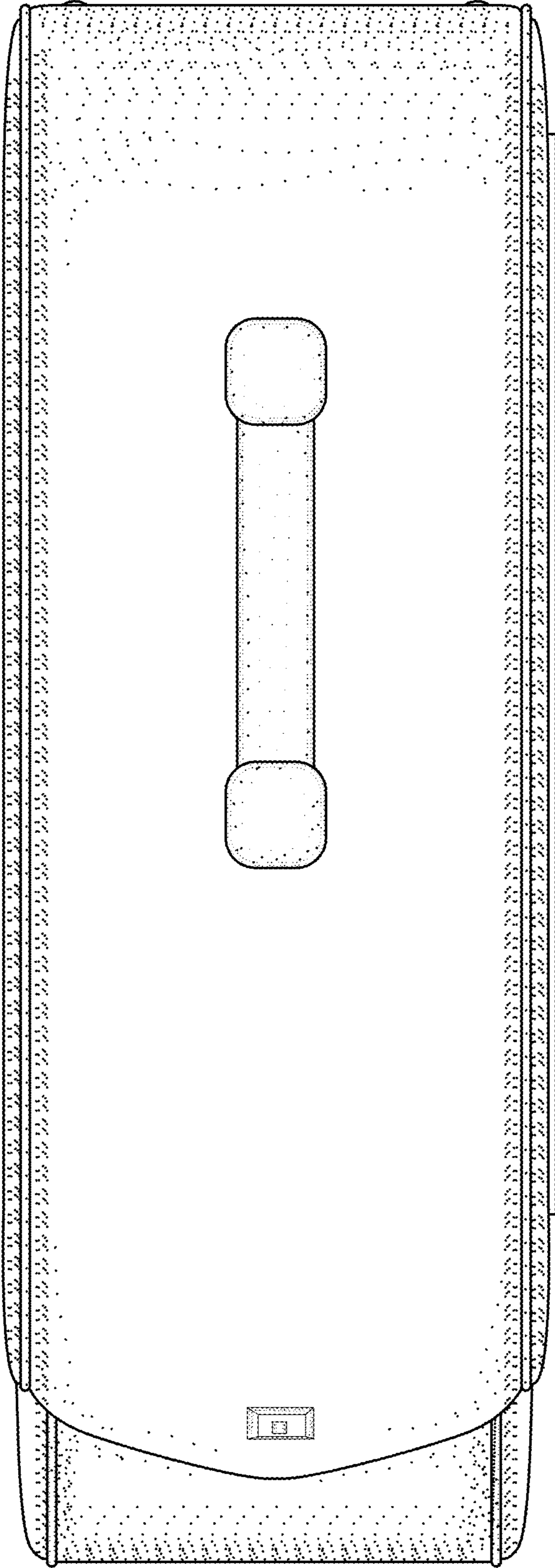


FIG. 6

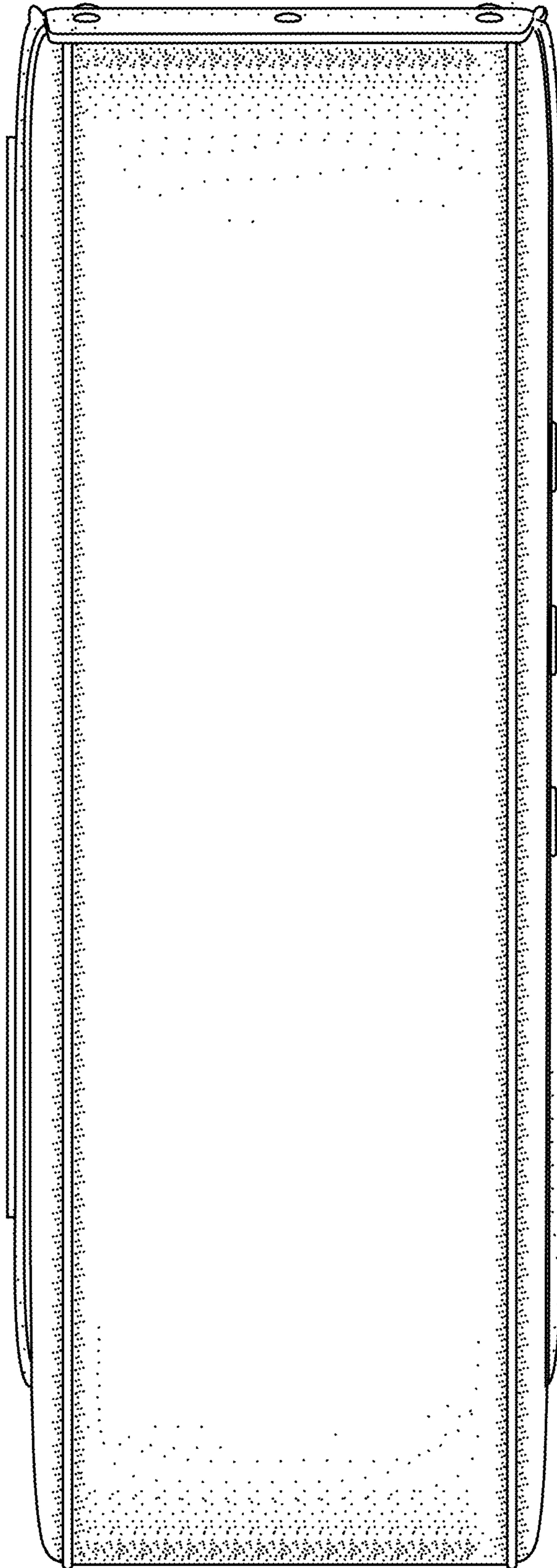


FIG. 7

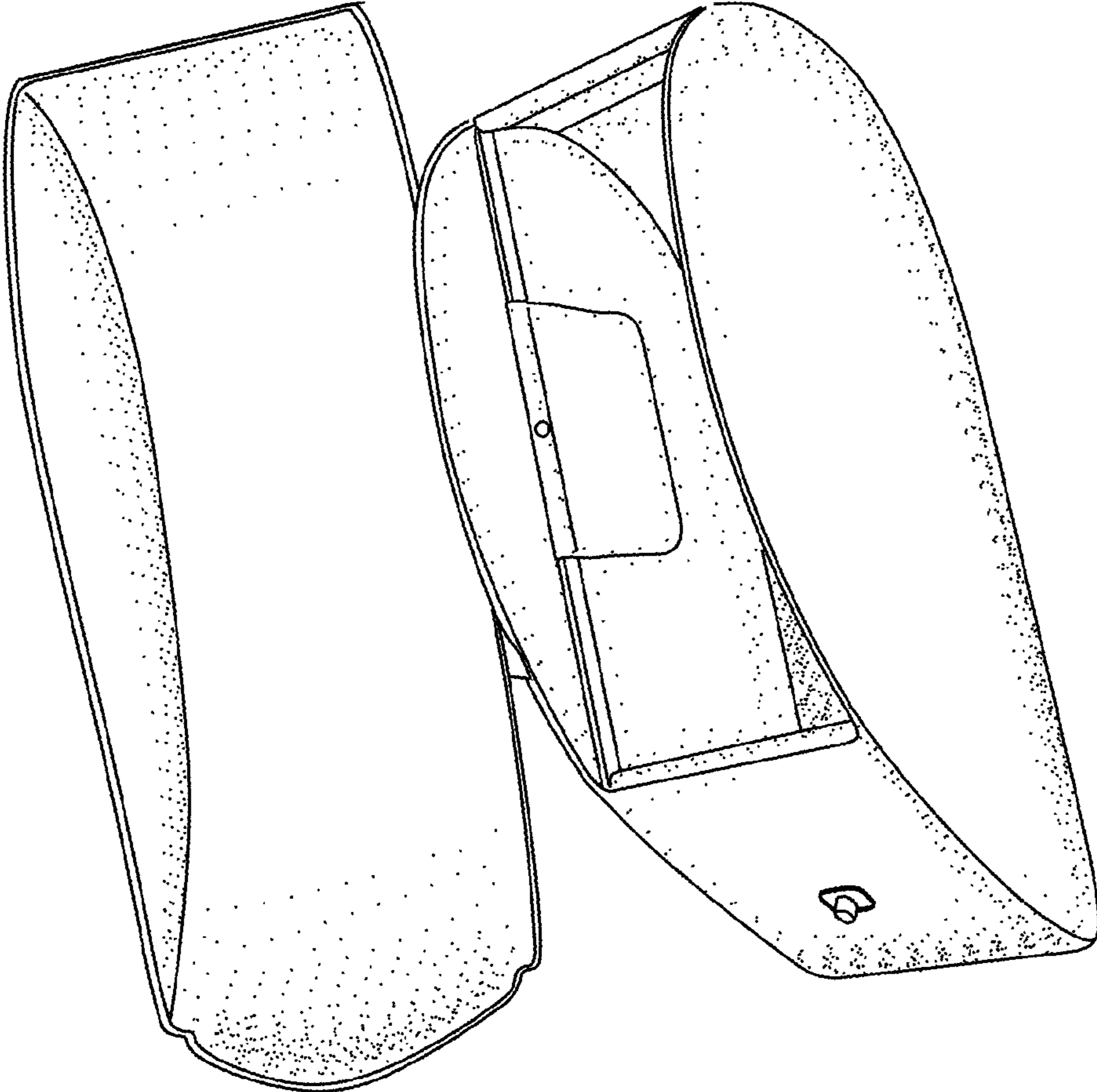


FIG. 8