



US00D711092S

(12) **United States Design Patent**
Lockhart-Adams et al.

(10) **Patent No.:** **US D711,092 S**
(45) **Date of Patent:** **** Aug. 19, 2014**

(54) **BELT**

(71) Applicant: **Linear Standby Belts Limited,**
Wellington (NZ)

(72) Inventors: **Georgia Lockhart-Adams,** Wanaka
(NZ); **Catherine Maguire,** Wellington
(NZ)

(73) Assignee: **Linear Standby Belts Limited,**
Wellington (NZ)

(**) Term: **14 Years**

(21) Appl. No.: **29/462,177**

(22) Filed: **Jul. 31, 2013**

(51) **LOC (10) Cl.** **03-01**

(52) **U.S. Cl.**
USPC **D3/228**

(58) **Field of Classification Search**
CPC A45F 3/04; A45F 3/005; A45F 5/00;
A45F 3/14; A45F 5/02; A45F 2200/05;
A45F 2200/0575; B25H 3/00
USPC D3/215, 218–219, 224, 226, 228;
224/183, 271.2, 274, 665, 672,
224/674–675, 678–681

See application file for complete search history.

(56) **References Cited**

U.S. PATENT DOCUMENTS

D496,787 S *	10/2004	Cabrera et al.	D3/228
7,699,197 B2 *	4/2010	Panosian et al.	224/665
8,011,545 B2 *	9/2011	Murdoch et al.	224/675
8,087,560 B2 *	1/2012	Crye	224/675
8,474,673 B2 *	7/2013	Murdoch et al.	224/672

* cited by examiner

Primary Examiner — Catheri Oliver-Garcia

(74) *Attorney, Agent, or Firm* — Edwards Wildman Palmer
LLP; Jeffrey D. Hsi; Carolina E. Save

(57) **CLAIM**

The ornamental design for a belt, as shown.

DESCRIPTION

FIG. 1 is a perspective view of the top, front, and left side of a belt wherein regularly broken lines denote unclaimed subject matter;

FIG. 2 is a front view thereof;

FIG. 3 is a rear view thereof;

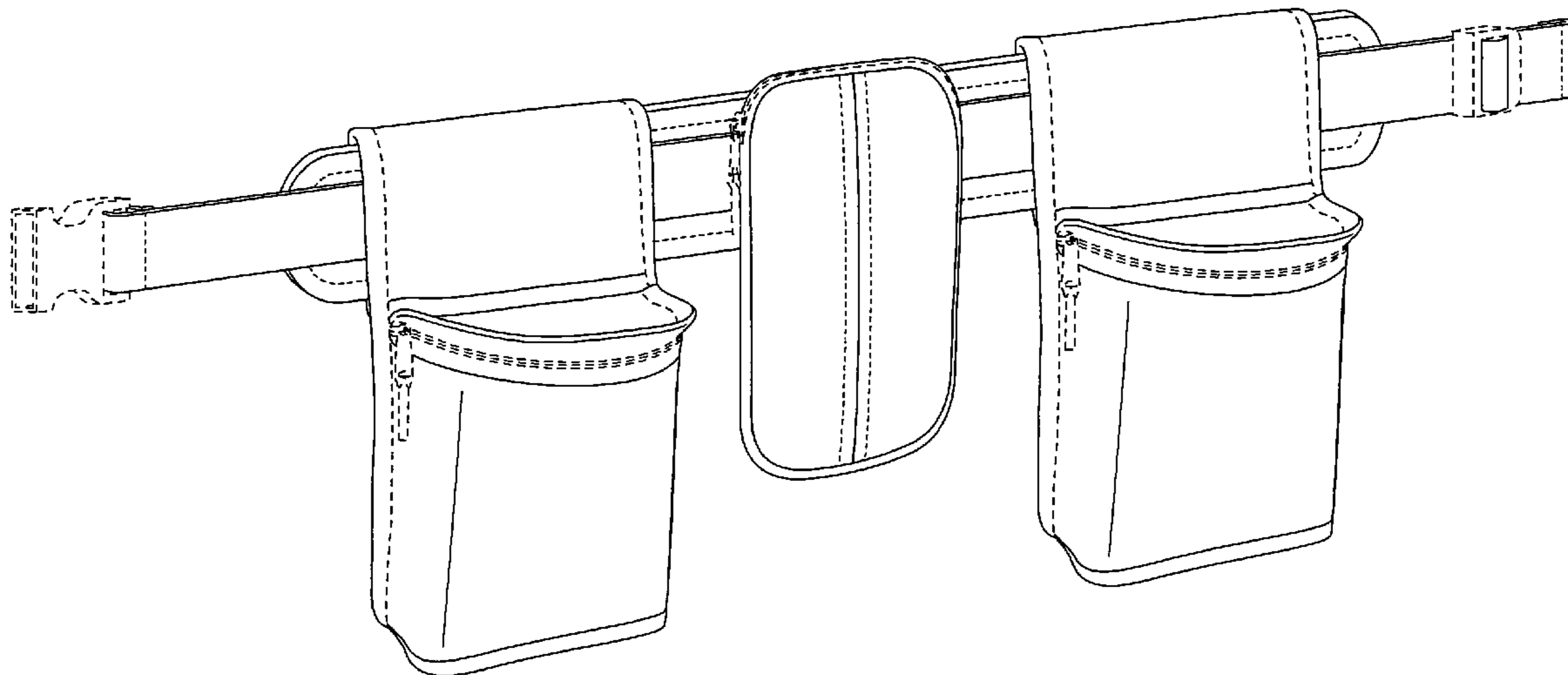
FIG. 4 is a top view thereof;

FIG. 5 is a bottom view thereof;

FIG. 6 is a left view thereof; and,

FIG. 7 is a right view thereof.

1 Claim, 6 Drawing Sheets



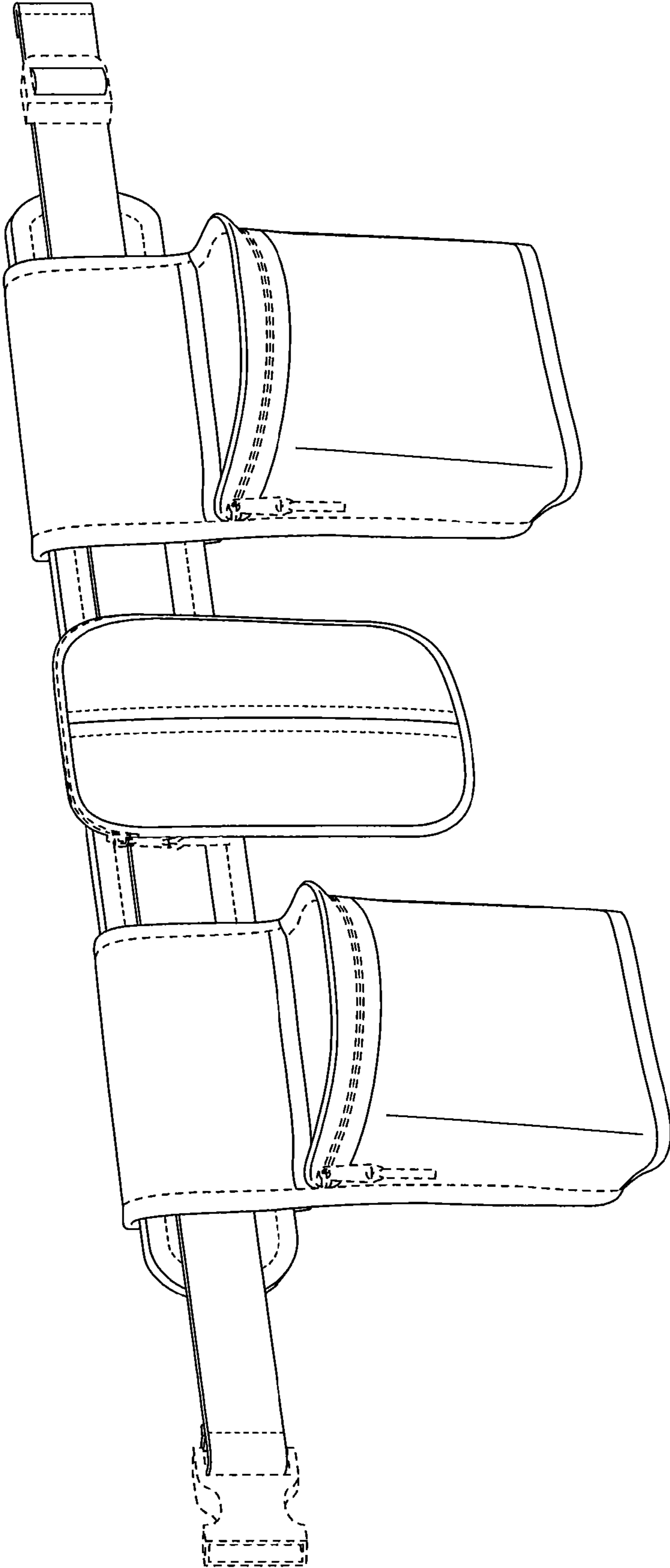


FIG. 1

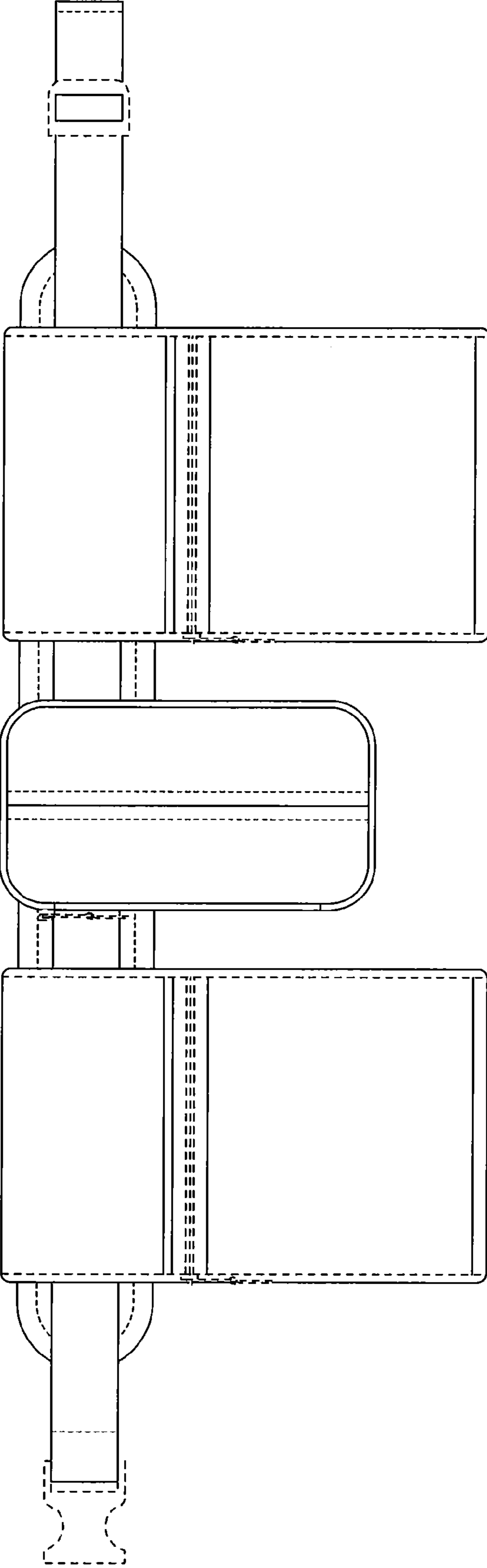


FIG. 2

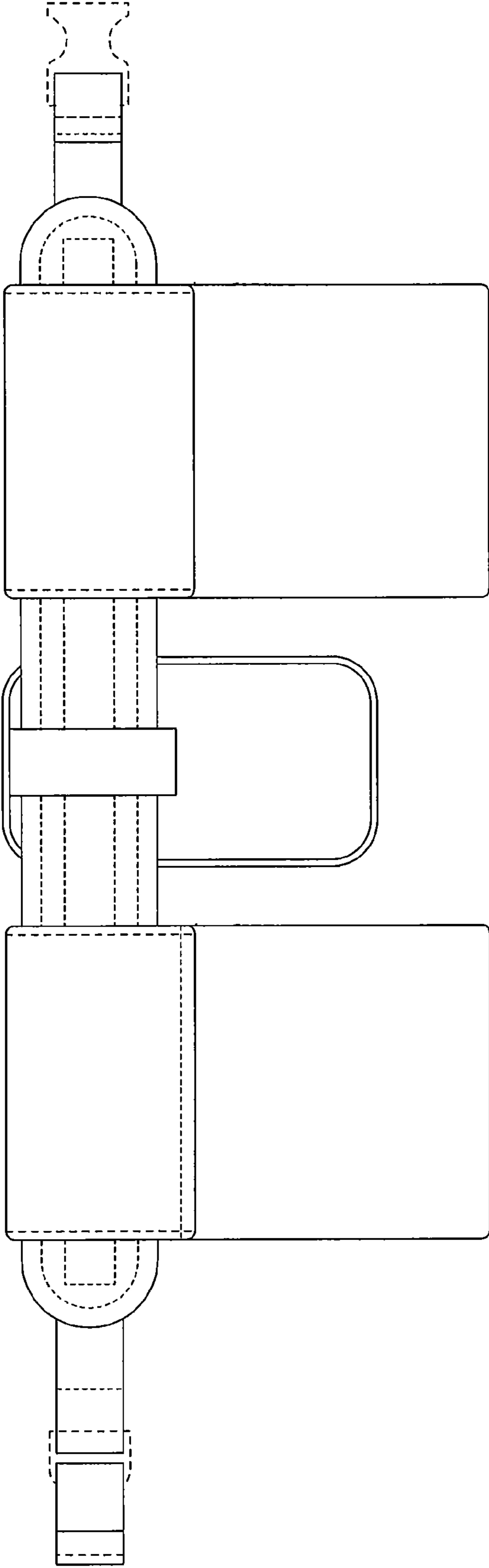


FIG. 3

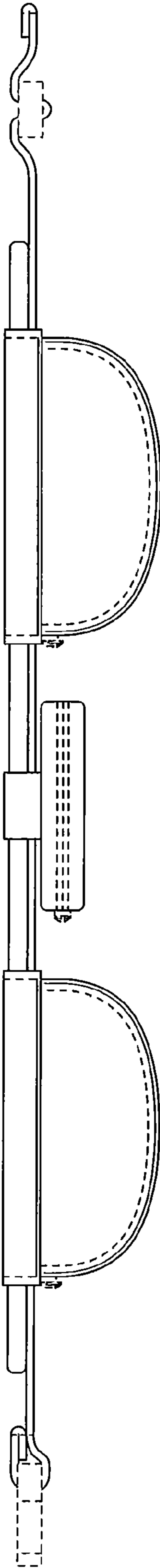


FIG. 4

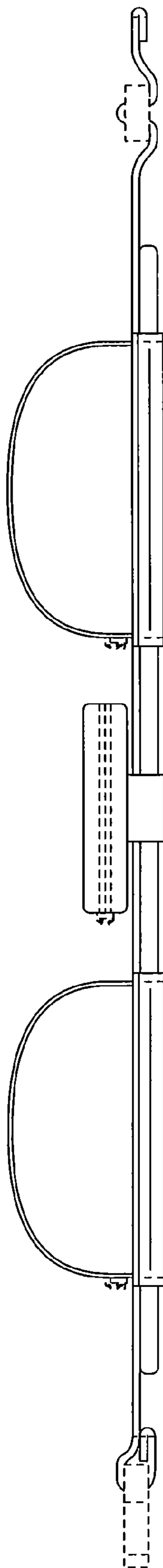


FIG. 5

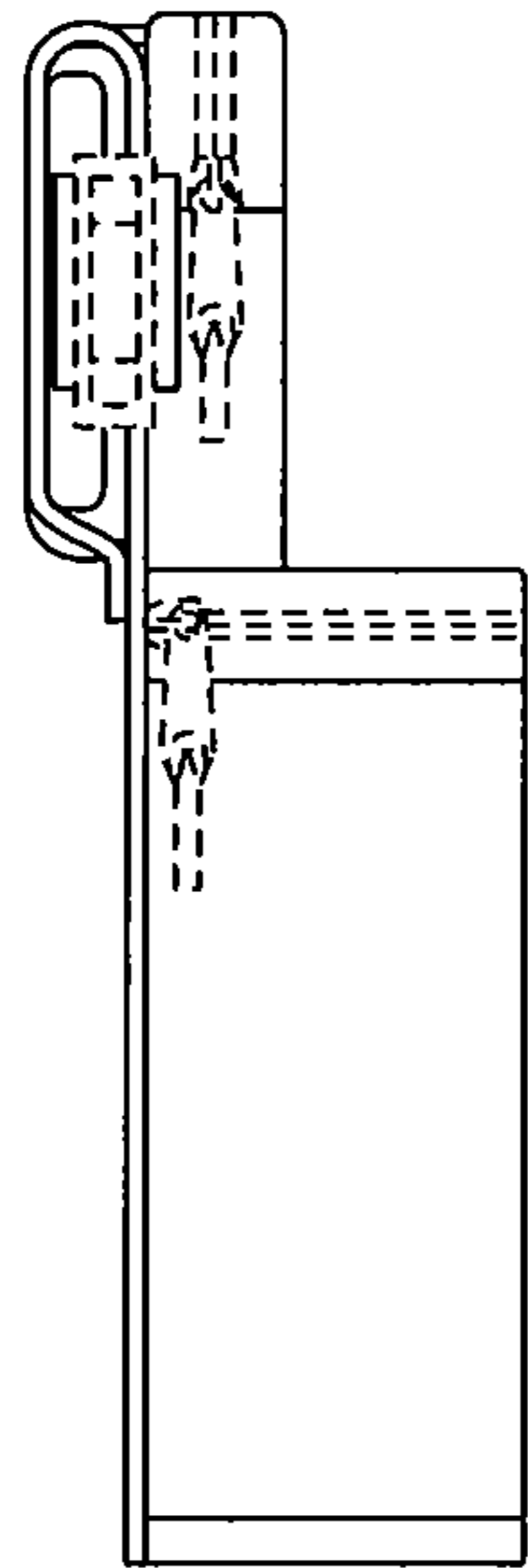


FIG. 6

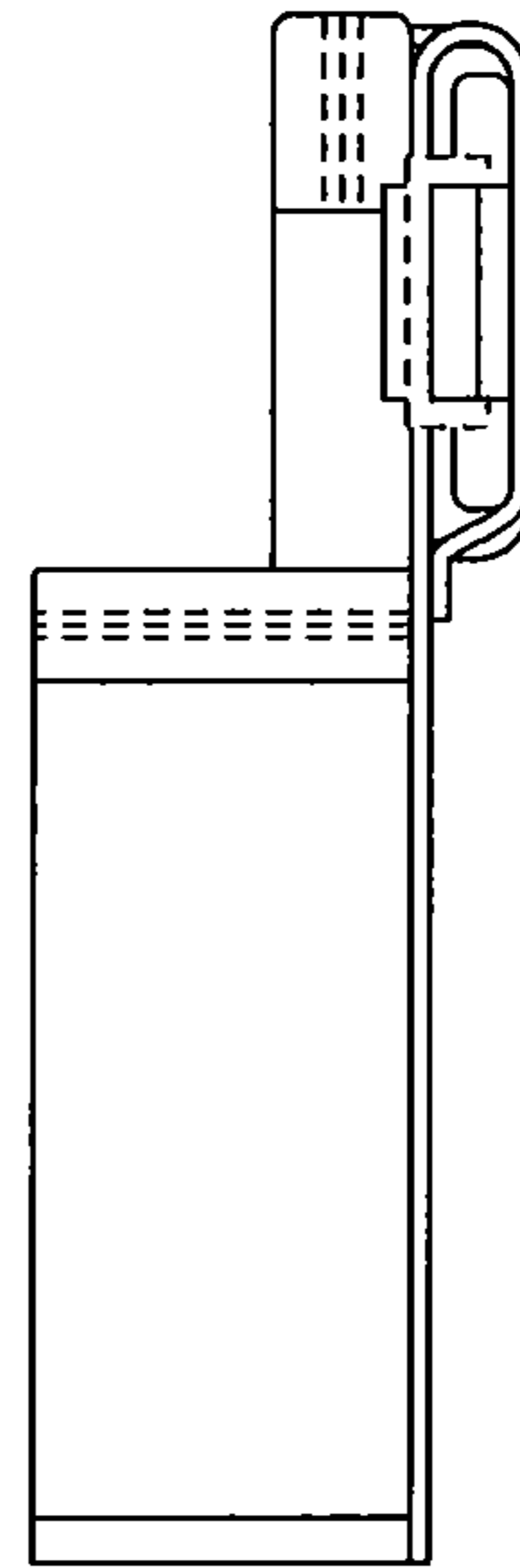


FIG. 7