

US00D711080S

(12) **United States Design Patent**
Hollister

(10) **Patent No.:** **US D711,080 S**

(45) **Date of Patent:** **** Aug. 19, 2014**

(54) **SHOE BAND**

(76) Inventor: **Stacy Hollister**, Los Angeles, CA (US)

(**) Term: **14 Years**

(21) Appl. No.: **29/422,665**

(22) Filed: **May 23, 2012**

(51) **LOC (10) Cl.** **02-04**

(52) **U.S. Cl.**
USPC **D2/946**

(58) **Field of Classification Search**
USPC D2/602, 627, 896-900, 902, 906,
D2/908-910, 914, 915, 918, 922, 923, 925,
D2/929, 930, 939, 943, 946, 950, 951, 958,
D2/961, 964-966, 968, 971-973, 976,
D2/978; D11/4, 26, 231; D24/188-190,
D24/192; 36/3 A, 4, 7.1 R, 10, 25 R, 34 R, 45,
36/50.1, 58.6, 71.5, 72 B, 72 R, 73, 83, 84,
36/113, 114, 127, 134, 136; 600/228, 503
See application file for complete search history.

(56) **References Cited**

U.S. PATENT DOCUMENTS

D92,784 S *	7/1934	Gelder	D2/602
2,545,510 A *	3/1951	Bosler	602/24
4,390,519 A *	6/1983	Sawyer	424/447
4,766,682 A *	8/1988	Malloy, III	36/132
D376,041 S *	12/1996	Nitz	D2/946
D385,102 S *	10/1997	Avar	D2/972
6,425,137 B1 *	7/2002	Fakhrai	2/170

D584,972 S *	1/2009	Aeberhard et al.	D10/70
D604,037 S *	11/2009	Feller et al.	D2/978
D612,588 S *	3/2010	Feller et al.	D2/946
D613,490 S *	4/2010	Feller et al.	D2/978
D648,440 S *	11/2011	Allen	D24/190
2001/0056240 A1 *	12/2001	Palti et al.	600/481
2007/0130813 A1 *	6/2007	Stacy	40/633
2008/0250669 A1 *	10/2008	Hallivis et al.	36/96

* cited by examiner

Primary Examiner — Stella Reid

Assistant Examiner — Janice Lim

(74) *Attorney, Agent, or Firm* — QuickPatents; Kevin Prince

(57) **CLAIM**

I claim the ornamental design for a shoe band, as shown and described.

DESCRIPTION

FIG. 1 is a perspective view of a shoe band, showing my new design;

FIG. 2 is a top plan view thereof;

FIG. 3 is a bottom plan view thereof;

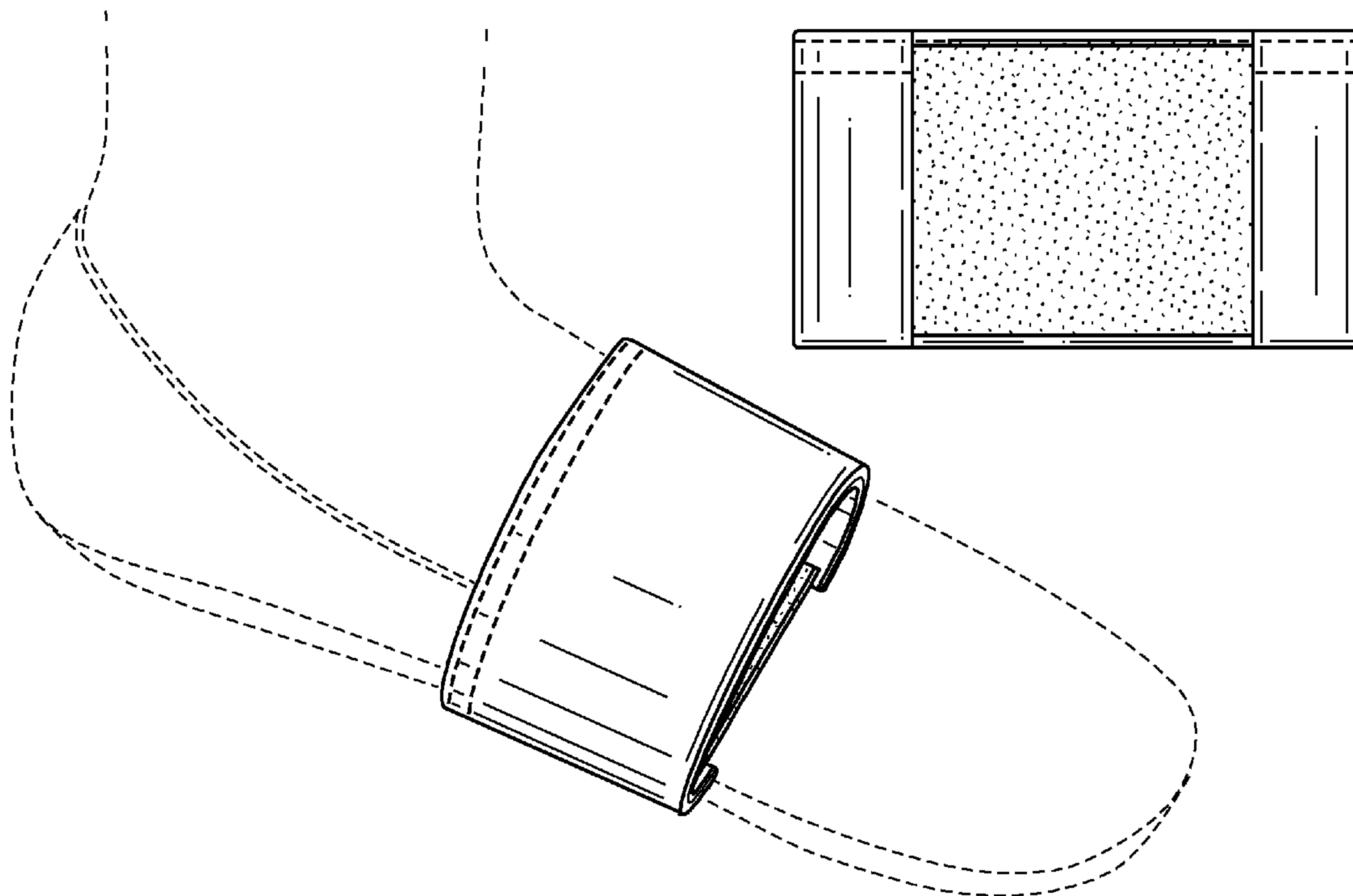
FIG. 4 is a right-side elevational view thereof, the left-side elevational view being a mirror image thereof; and,

FIG. 5 is a rear elevational view thereof, the front elevational view being a mirror image thereof.

The broken lines showing a foot and shoe in FIG. 1 depict environmental matter and form no part of the claimed design.

The remaining broken lines represent stitching, and are part of the claimed design.

1 Claim, 2 Drawing Sheets



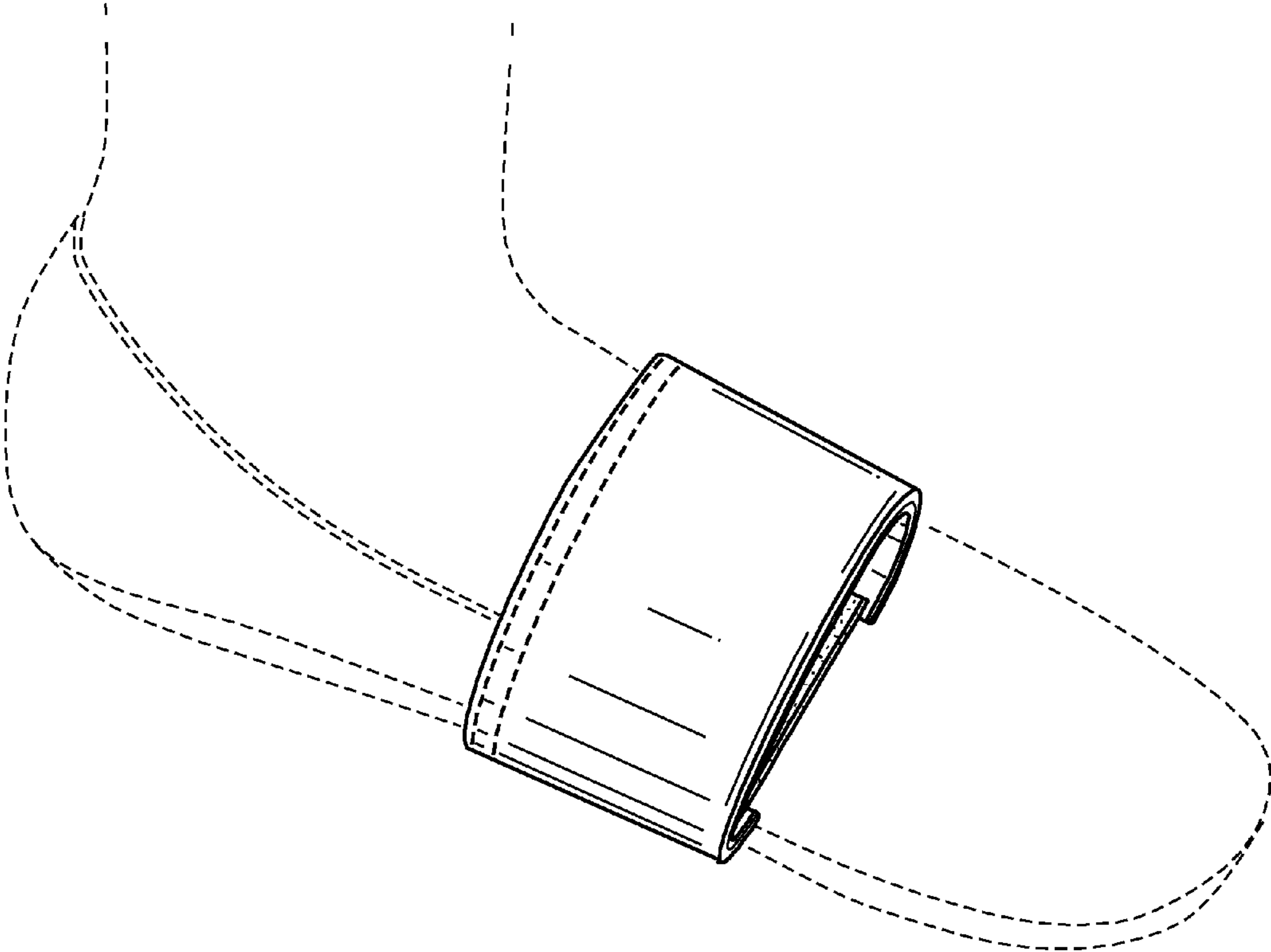


FIG. 1

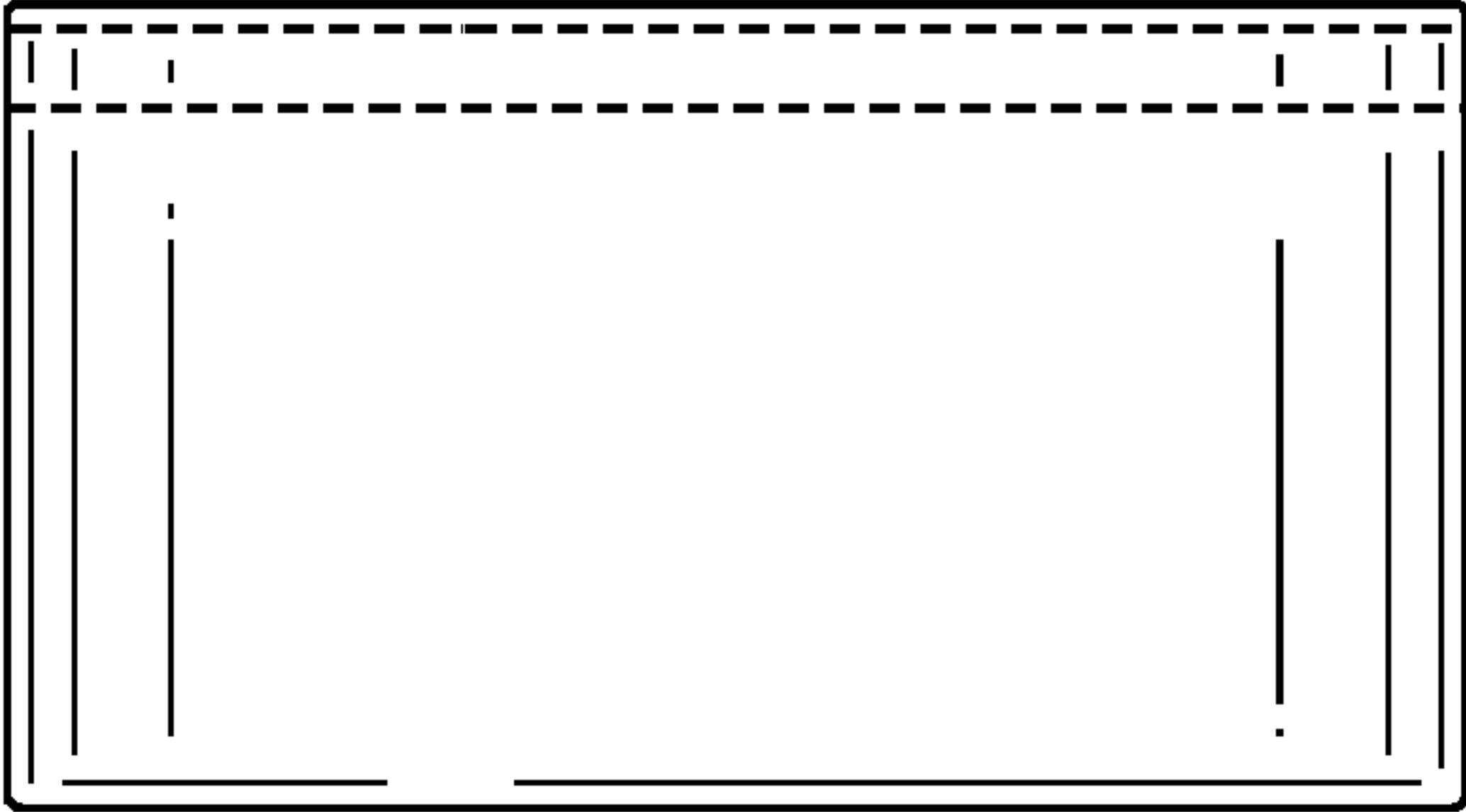


FIG. 2

FIG. 3

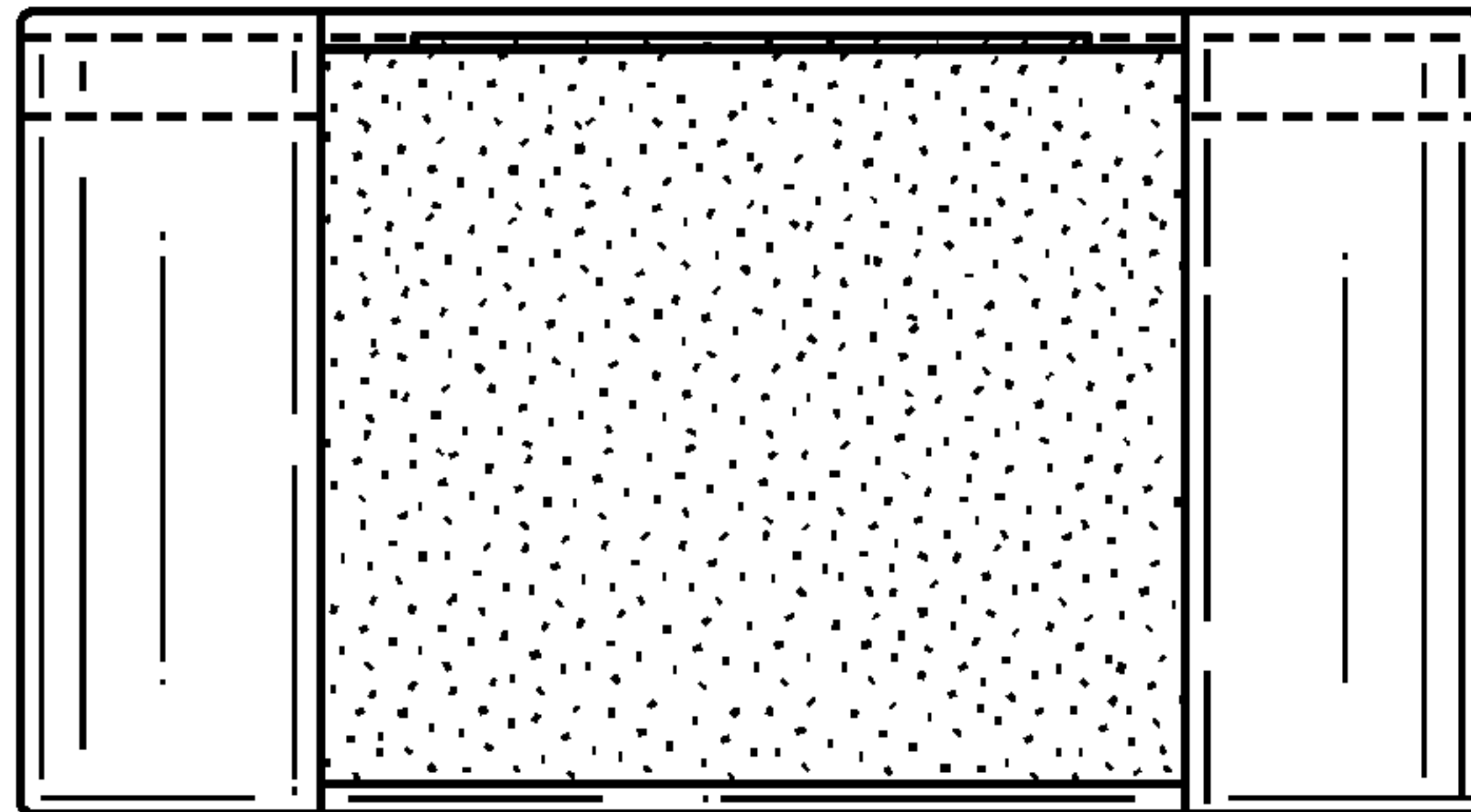


FIG. 4

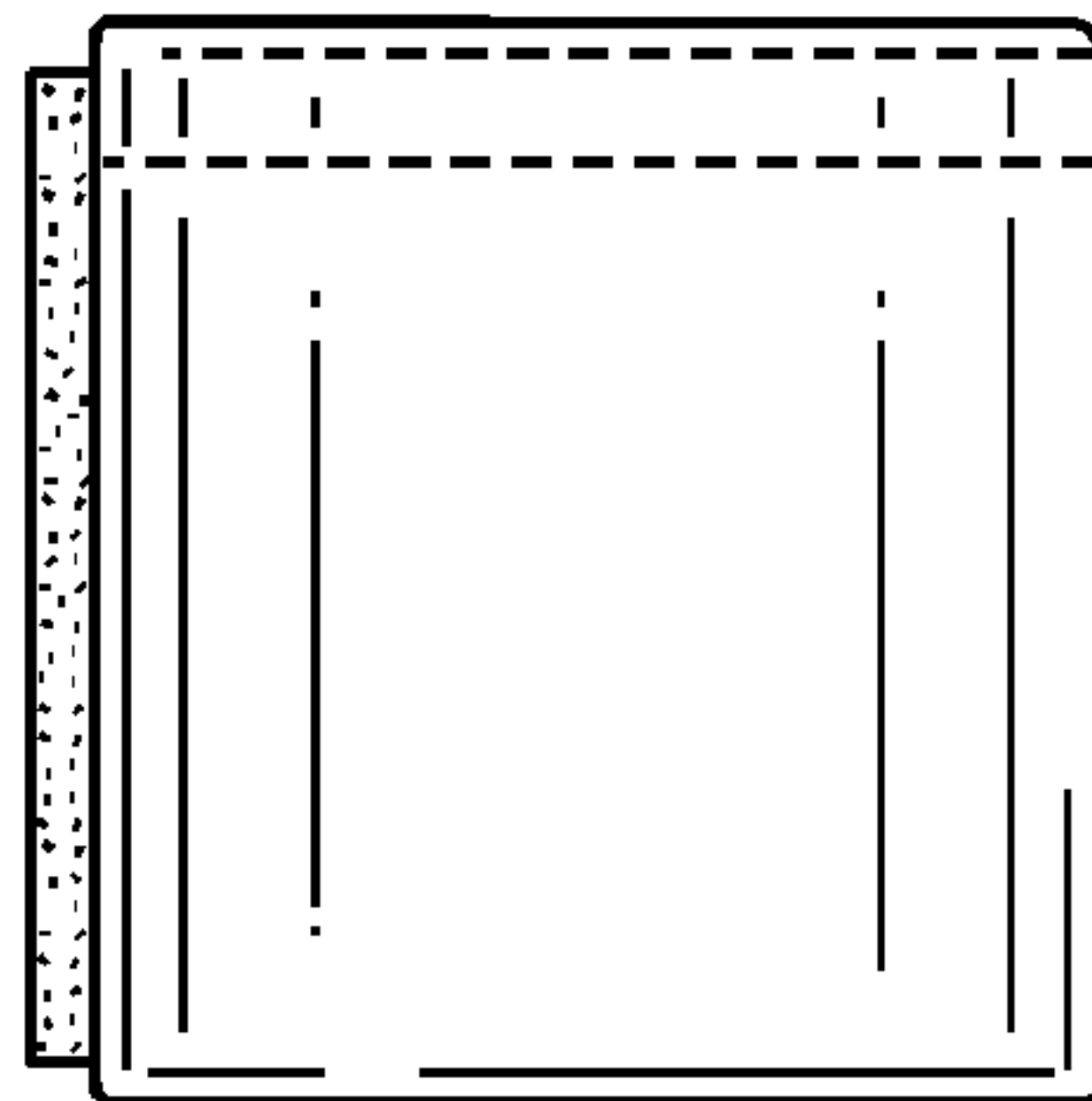


FIG. 5

