



US00D711079S

(12) **United States Design Patent**
Issler

(10) **Patent No.:** **US D711,079 S**

(45) **Date of Patent:** **** Aug. 19, 2014**

(54) **SANDAL**

(71) Applicant: **David C. Issler**, Andover, MA (US)

(72) Inventor: **David C. Issler**, Andover, MA (US)

(73) Assignee: **Columbia Insurance Company**,
Omaha, NE (US)

(**) Term: **14 Years**

(21) Appl. No.: **29/480,741**

(22) Filed: **Jan. 29, 2014**

(51) **LOC (10) Cl.** **02-04**

(52) **U.S. Cl.**
USPC **D2/917**

(58) **Field of Classification Search**

CPC A43B 13/38; A43B 7/146; A43B 3/12;
A43B 3/10; A43B 3/122; A43B 23/24

USPC D2/896, 900, 916-919, 946, 969;
36/45, 11.5, 90, 101, 3 A, 43

See application file for complete search history.

(56) **References Cited**

U.S. PATENT DOCUMENTS

4,095,353 A * 6/1978 Foldes 36/11.5
D250,738 S * 1/1979 Foldes D2/916

D291,382 S * 8/1987 Vaccaro D2/918
D546,032 S * 7/2007 Issler D2/917
D561,457 S * 2/2008 Andersen et al. D2/969
D594,642 S * 6/2009 Hansen D2/969
D622,047 S * 8/2010 Issler D2/971
D622,048 S * 8/2010 Issler D2/971

* cited by examiner

Primary Examiner — Robert M Spear

Assistant Examiner — Rashida C McCoy

(74) *Attorney, Agent, or Firm* — IP Attorneys Group, LLC

(57) **CLAIM**

The ornamental design for a sandal, as shown and described.

DESCRIPTION

FIG. 1 is a top perspective view of a sandal in accordance with my new design;

FIG. 2 is a top view thereof;

FIG. 3 is a right side view thereof;

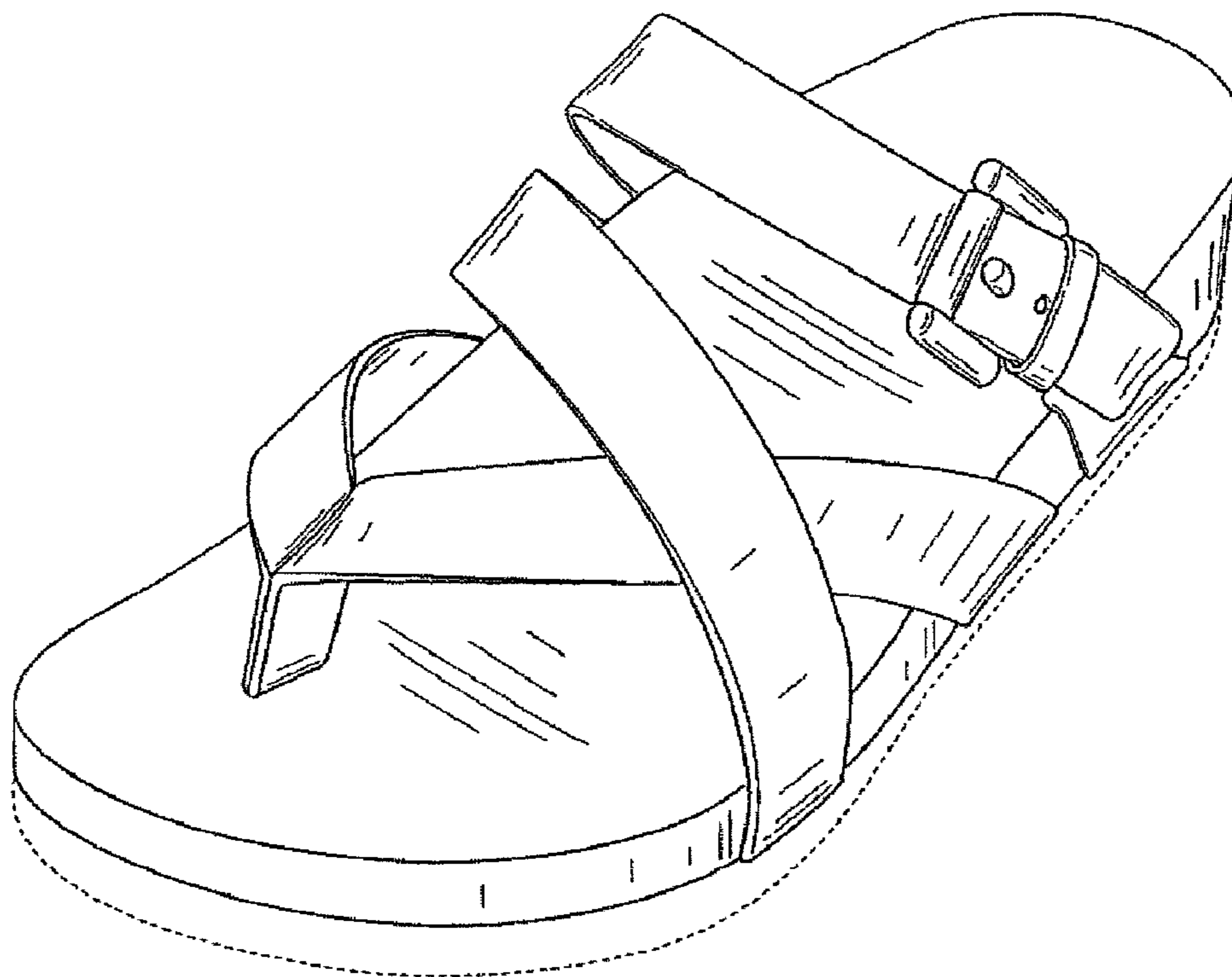
FIG. 4 is a left side view thereof;

FIG. 5 is a front view thereof; and,

FIG. 6 is a rear view thereof.

The broken lines shown in all of the figures are for environmental purposes and form no part of the claim.

1 Claim, 5 Drawing Sheets



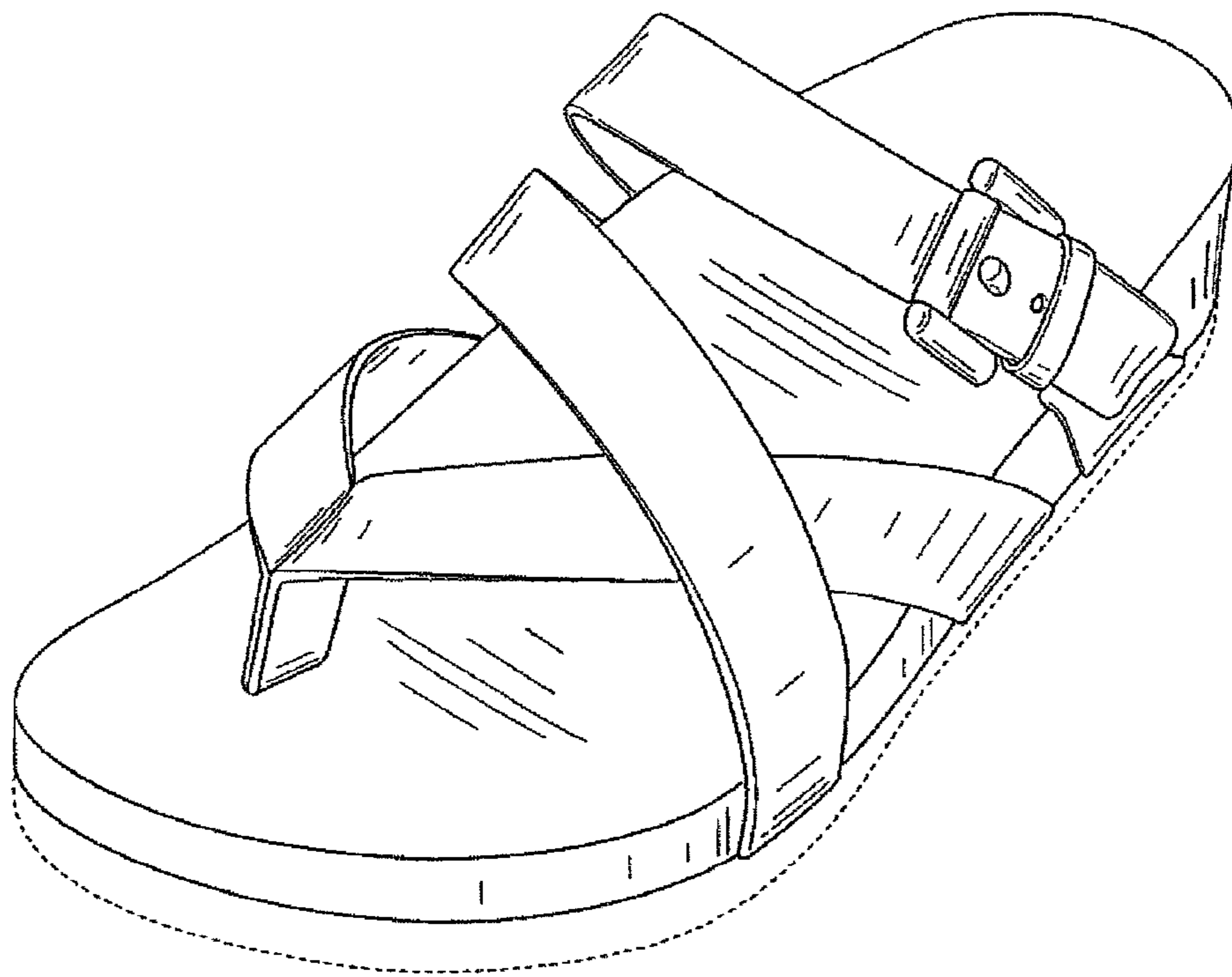


FIG. 1

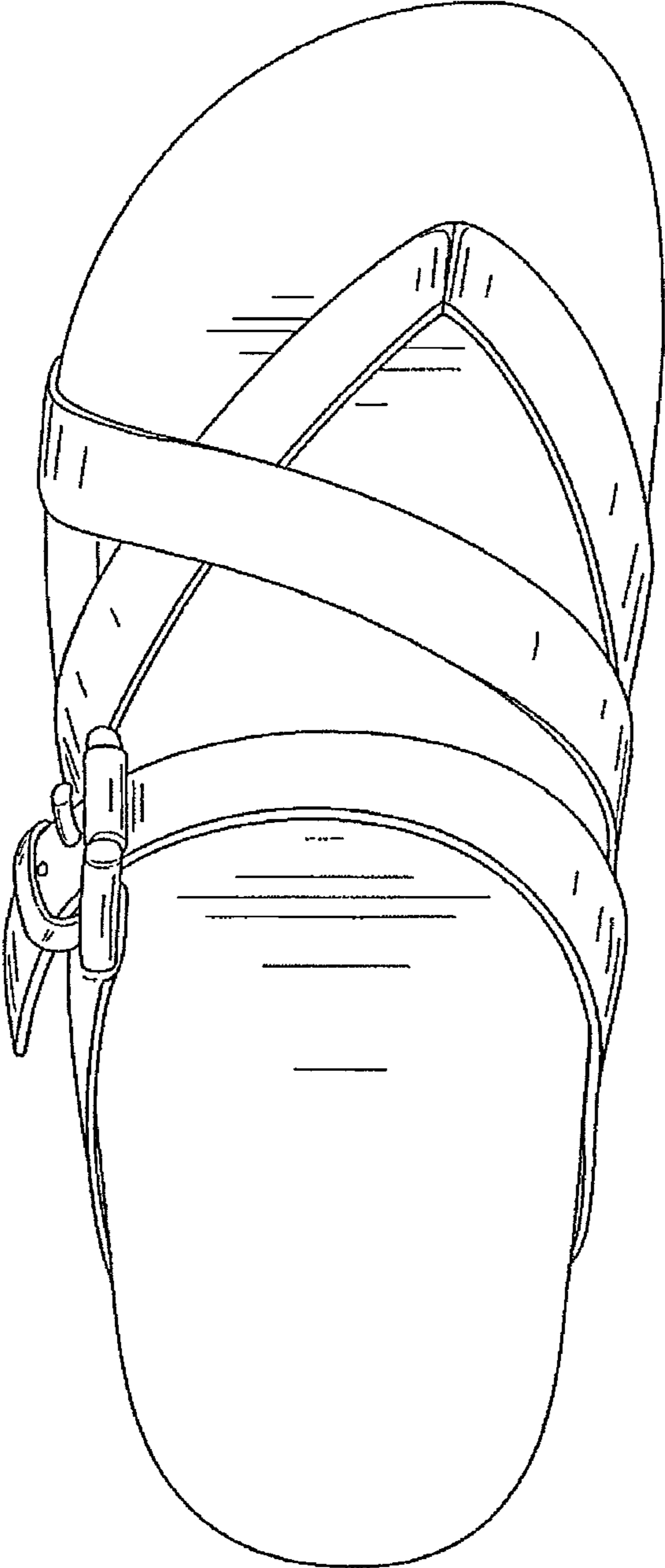


FIG. 2

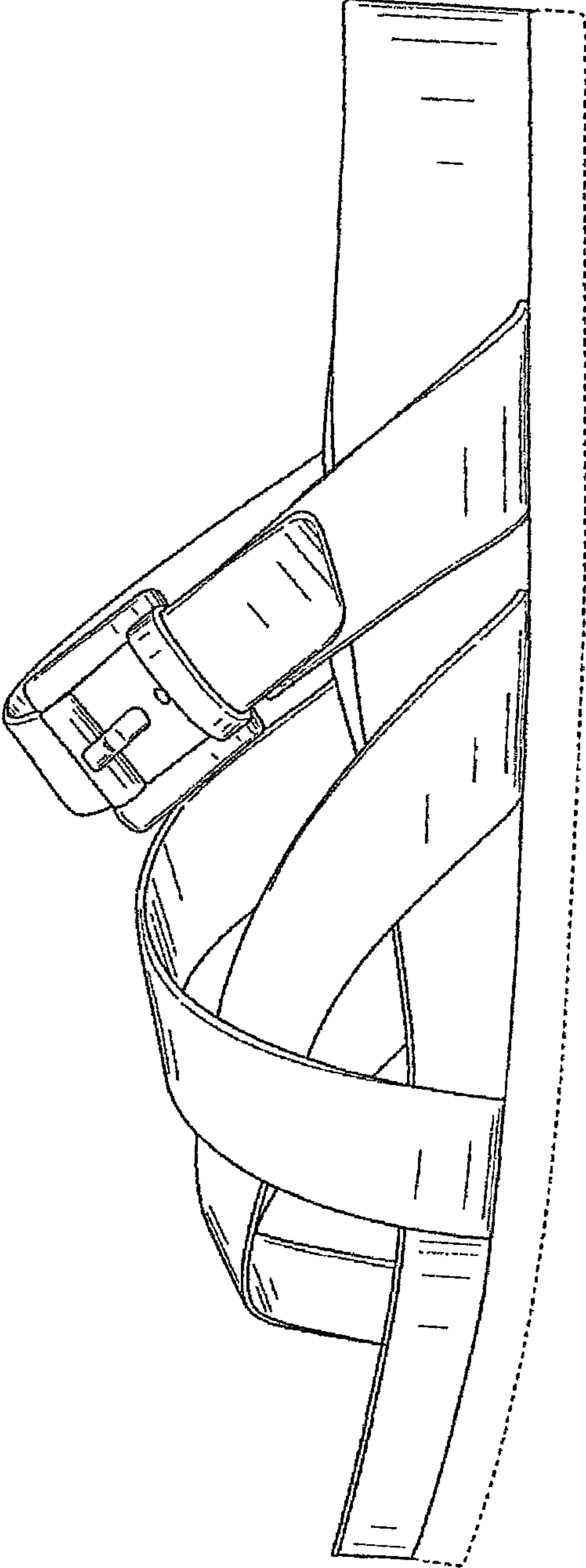


FIG. 3

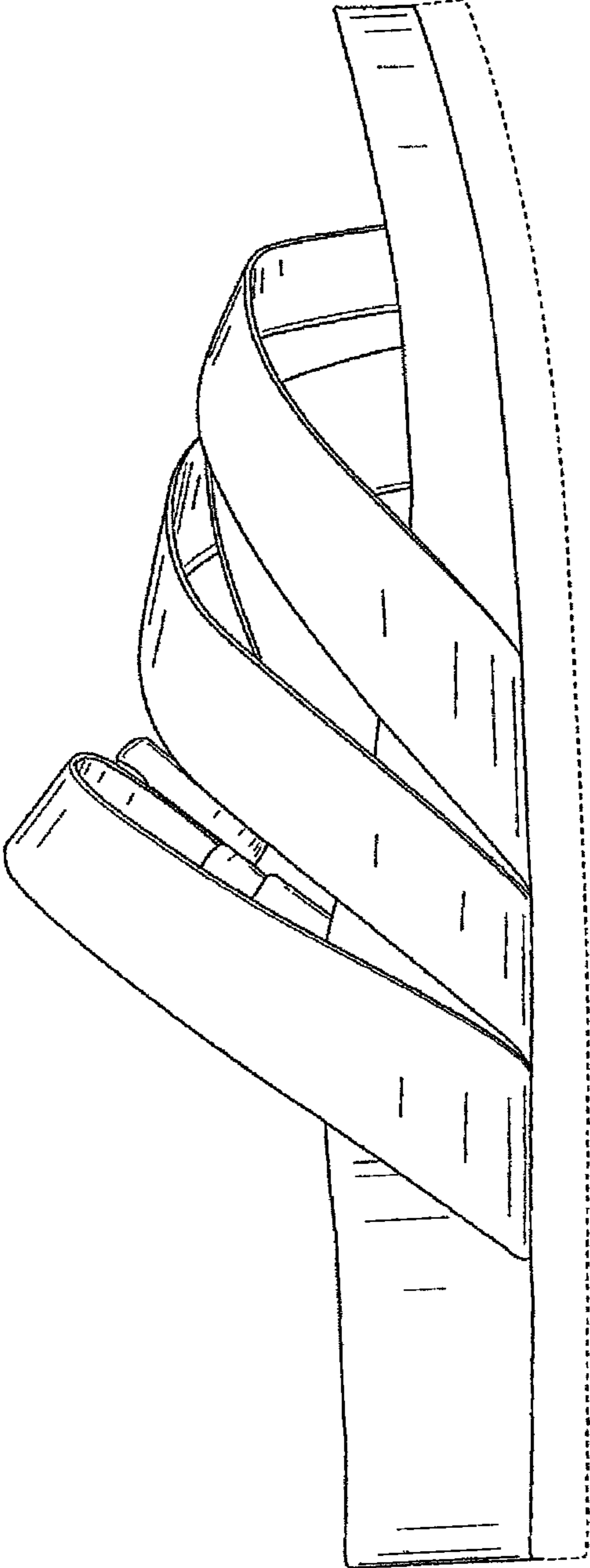


FIG. 4

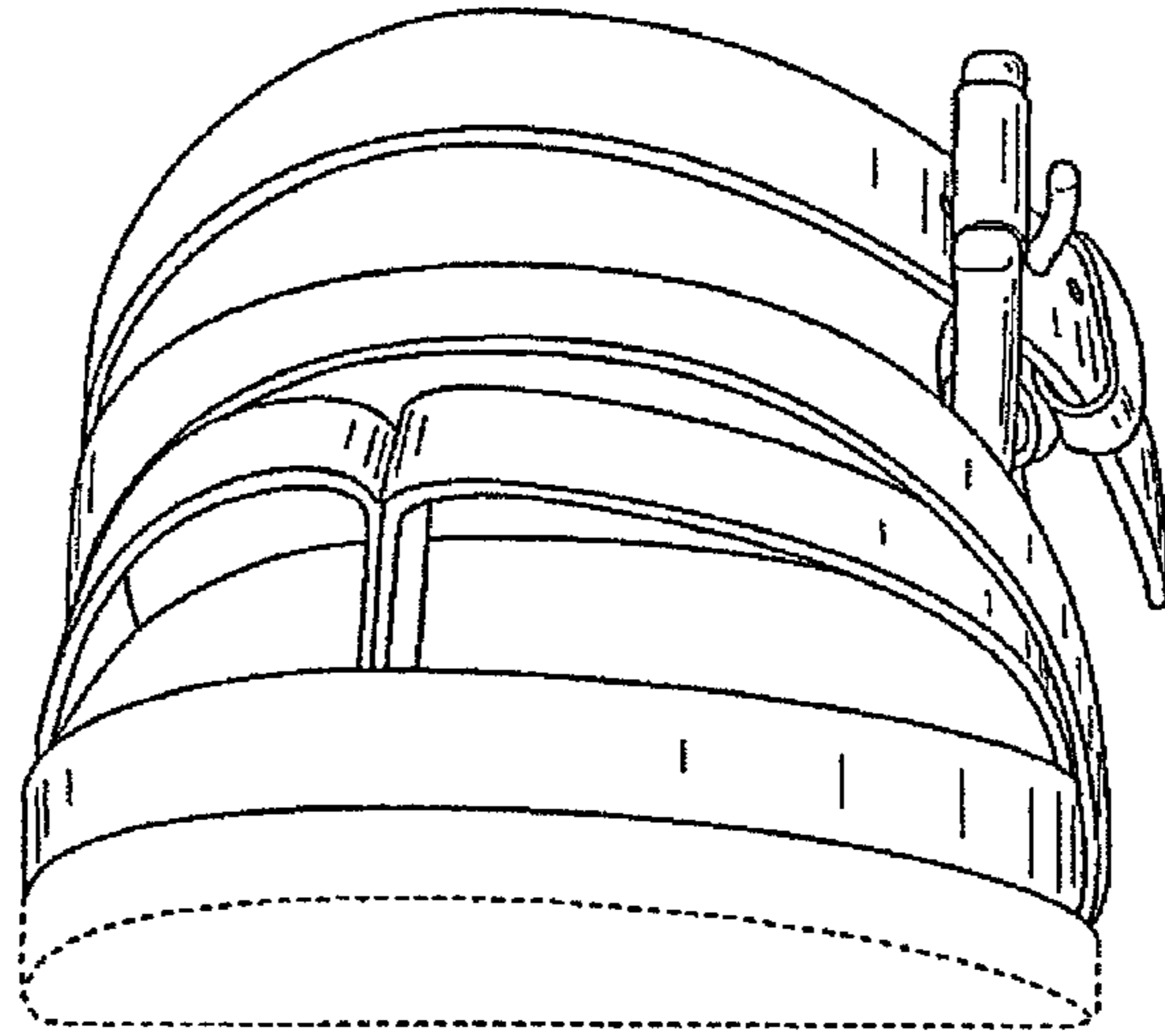


FIG. 5

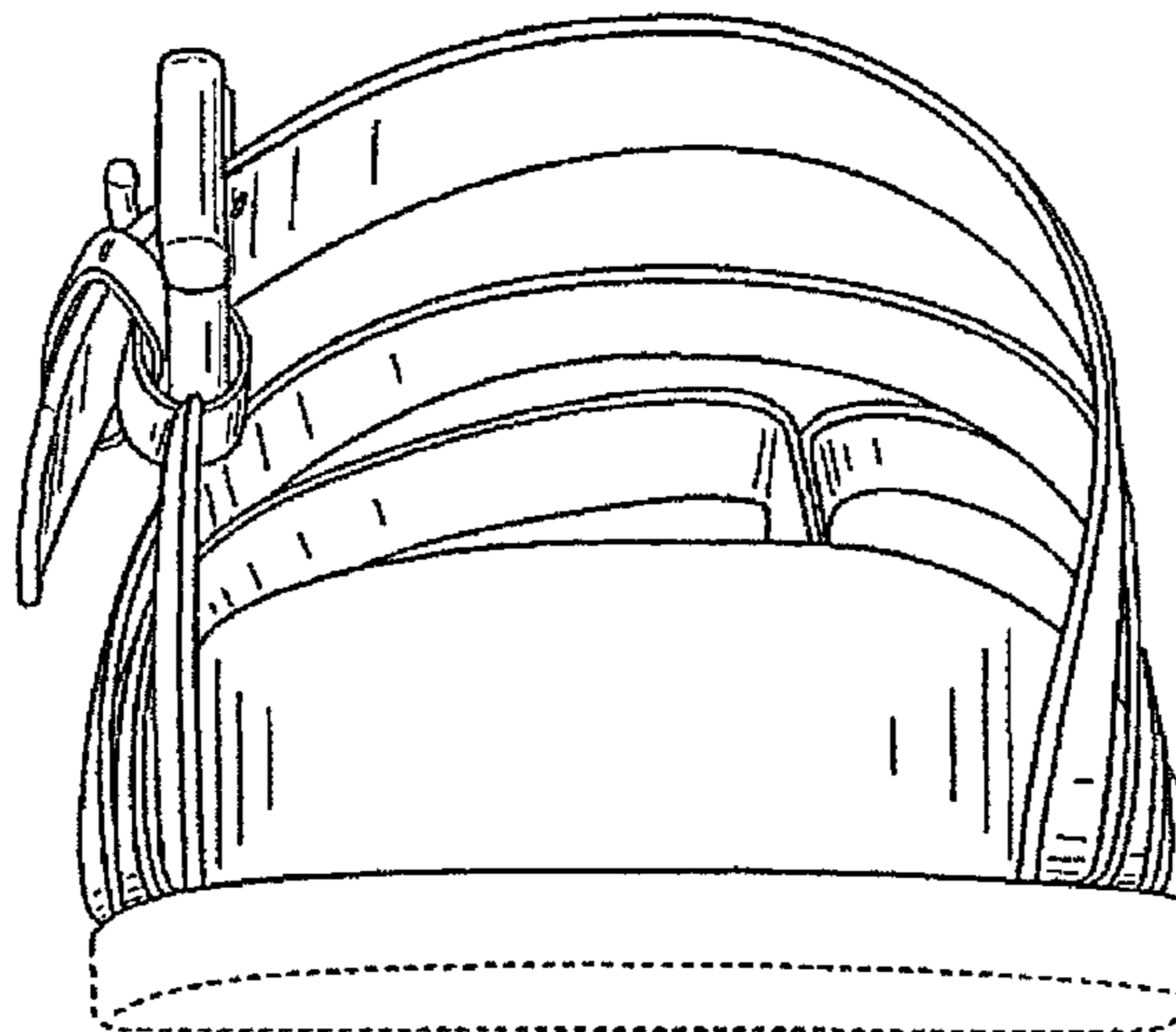


FIG. 6