



US00D711077S

(12) **United States Design Patent**  
**Bell**

(10) **Patent No.:** **US D711,077 S**

(45) **Date of Patent:** **\*\* Aug. 19, 2014**

(54) **SANDAL WITH BOW**

(71) Applicant: **Judy Bell**, Wall Township, NJ (US)

(72) Inventor: **Judy Bell**, Wall Township, NJ (US)

(\*\*) Term: **14 Years**

(21) Appl. No.: **29/466,637**

(22) Filed: **Sep. 10, 2013**

(51) **LOC (10) Cl.** ..... **02-04**

(52) **U.S. Cl.**  
USPC ..... **D2/917**

(58) **Field of Classification Search**  
CPC ..... A43B 23/24; A43B 23/25; A43B 3/12;  
A43B 3/10  
USPC ..... D2/896-900, 903, 916-925, 943, 946,  
D2/969, 971, 976; 36/7.3, 7.5, 11.5, 45,  
36/3 A, 3 R, 136; D28/41  
See application file for complete search history.

(56) **References Cited**

**U.S. PATENT DOCUMENTS**

1,480,009 A \* 1/1924 Preston ..... 132/275  
D421,665 S \* 3/2000 Farmer-Abney ..... D28/43

D568,591 S \* 5/2008 Bortz et al. .... D2/917  
D613,044 S \* 4/2010 Fu ..... D2/917  
D619,341 S \* 7/2010 Fu ..... D2/917  
D676,633 S \* 2/2013 Doherty et al. .... D2/917  
D677,038 S \* 3/2013 Guckin ..... D2/917  
D694,996 S \* 12/2013 Rayko ..... D2/917

\* cited by examiner

*Primary Examiner* — Ian Simmons

*Assistant Examiner* — Rashida C McCoy

(74) *Attorney, Agent, or Firm* — Arthur M. Peslak

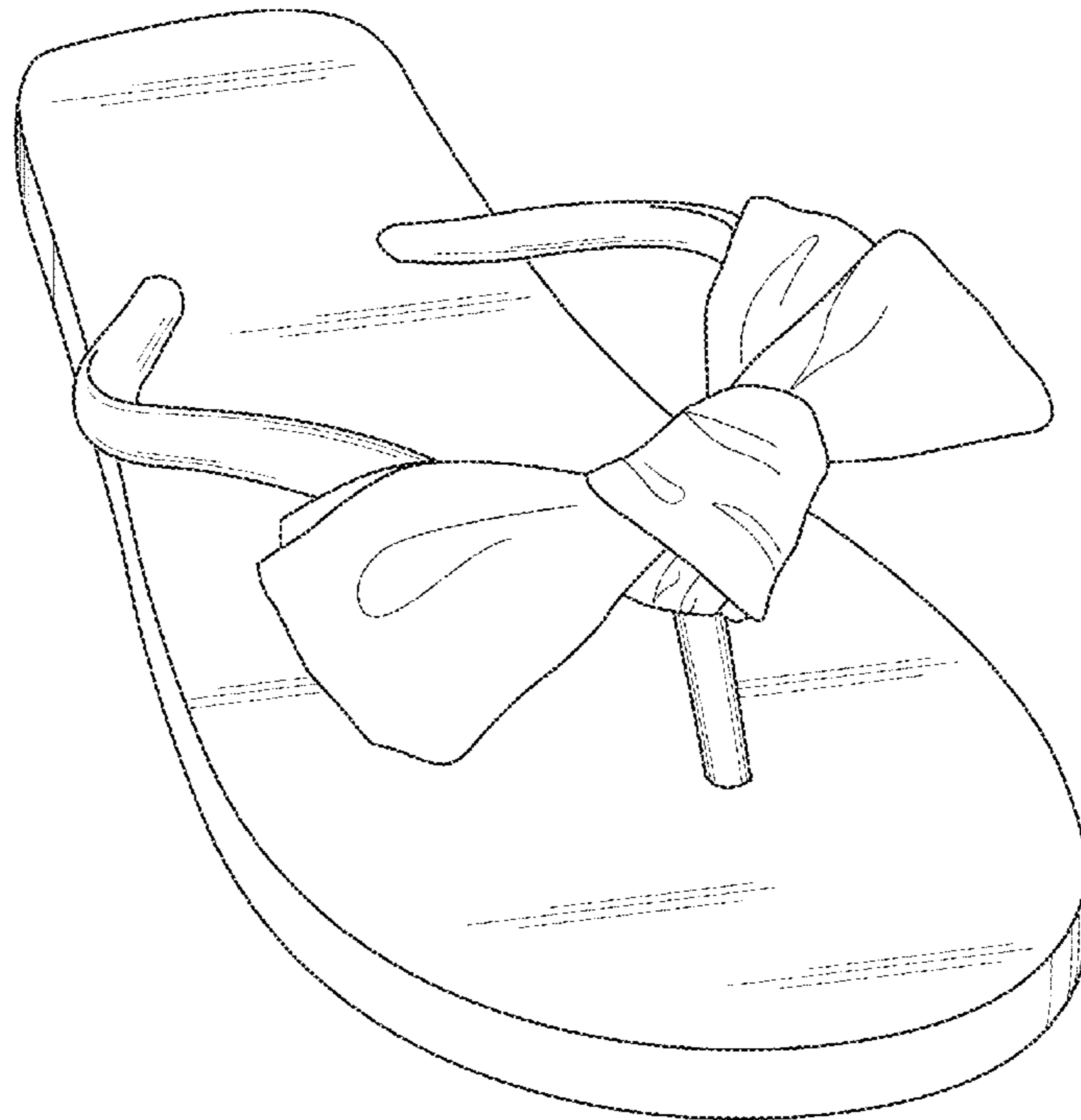
(57) **CLAIM**

I claim the ornamental design for the sandal with bow, as shown and described.

**DESCRIPTION**

FIG. 1. is a front isometric view of the sandal with bow of the present invention.  
FIG. 2 is a front perspective view thereof.  
FIG. 3 is a rear perspective view of thereof.  
FIG. 4 is a side elevation view thereof.  
FIG. 5 is a side elevation view thereof.  
FIG. 6 is a top plan view thereof; and,  
FIG. 7 is a bottom plan view thereof.

**1 Claim, 5 Drawing Sheets**



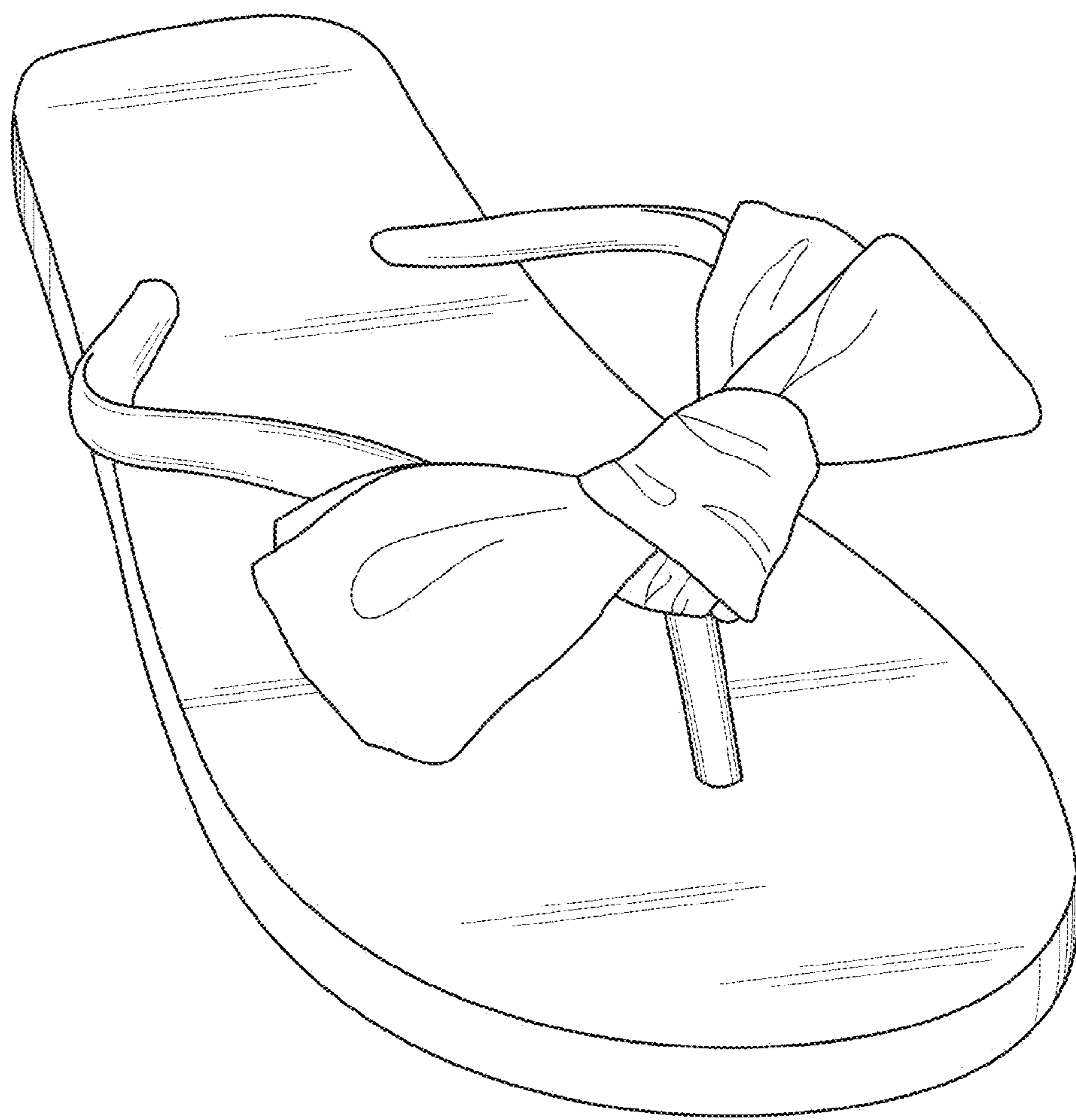


FIG. 1

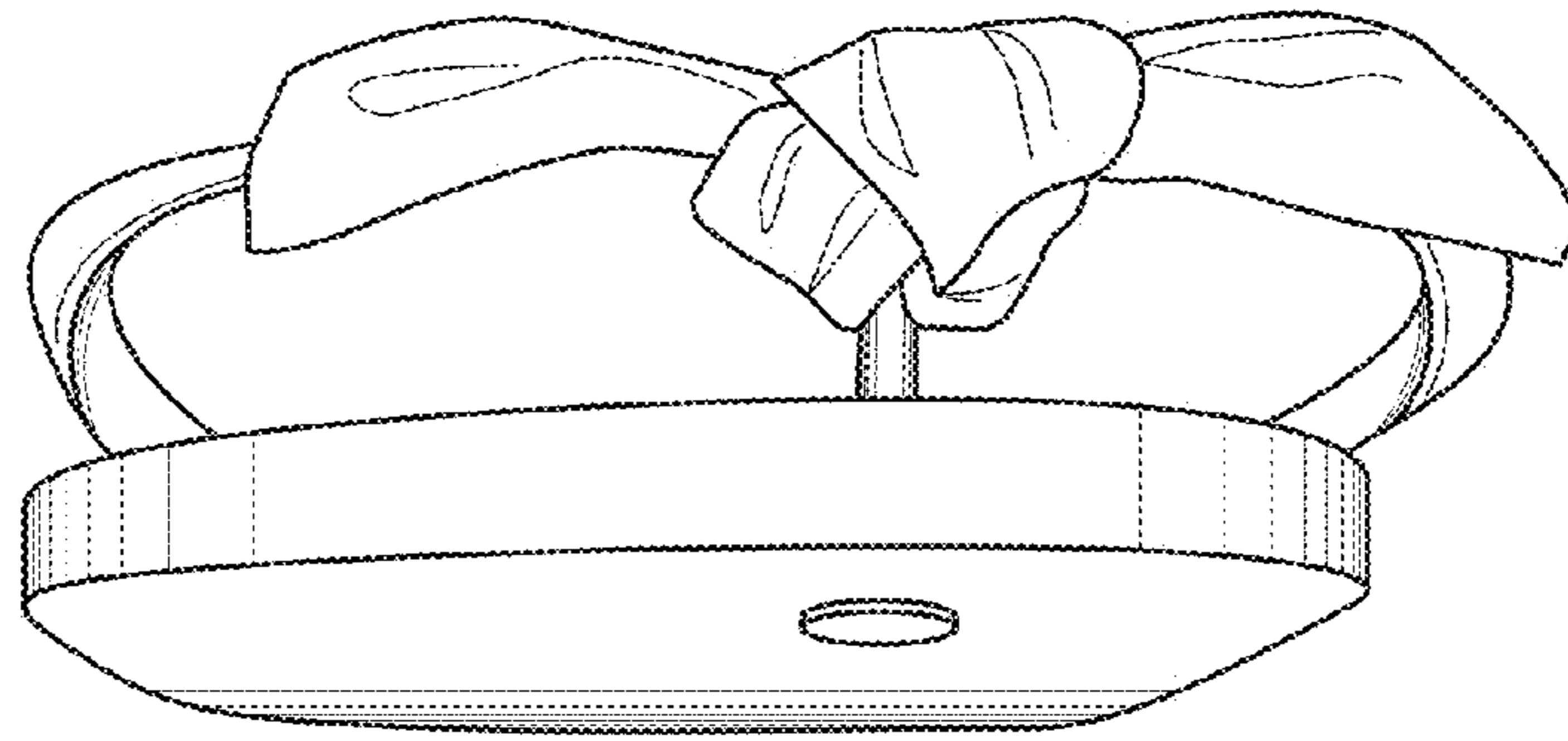


FIG. 2

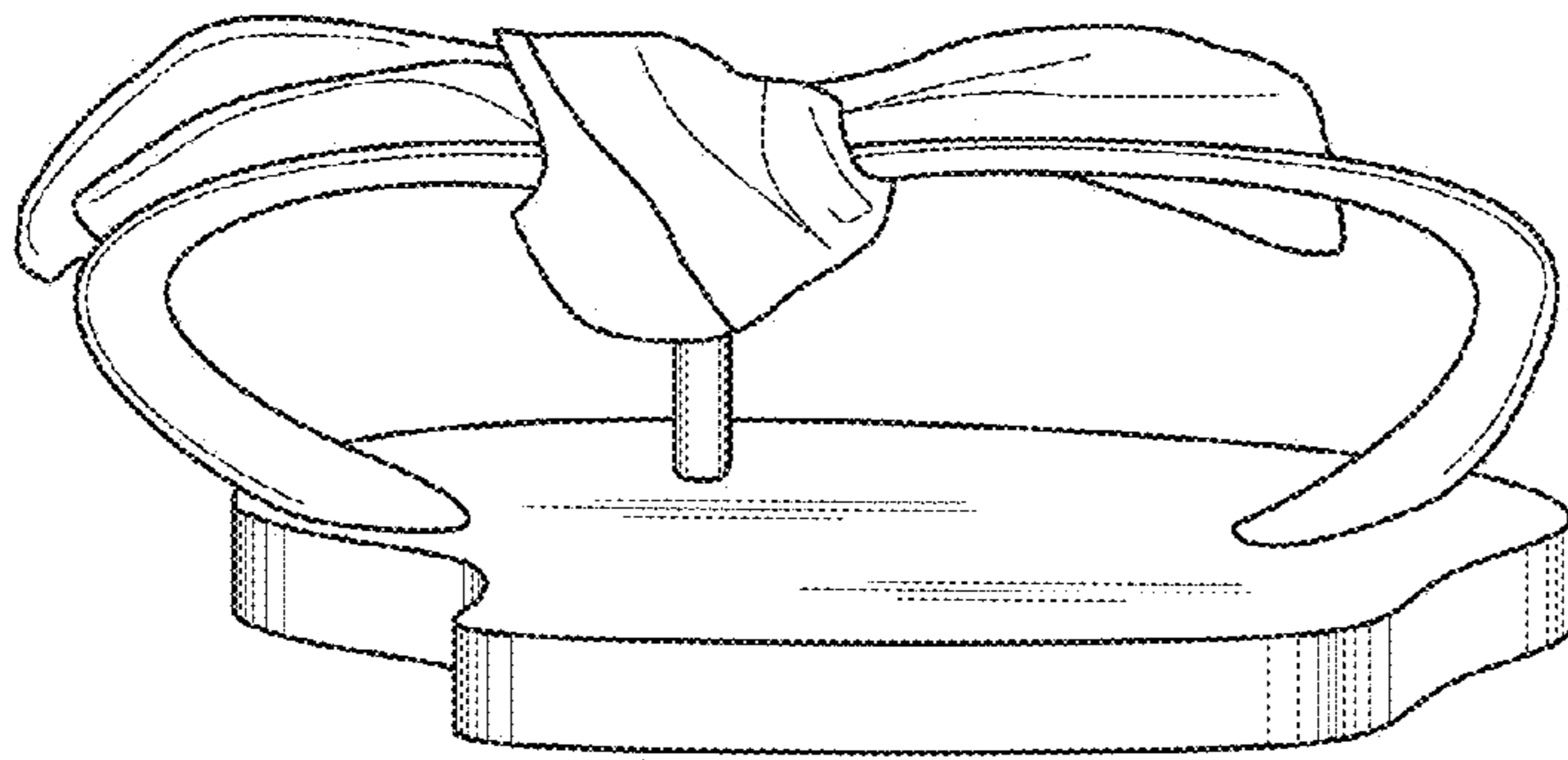


FIG. 3

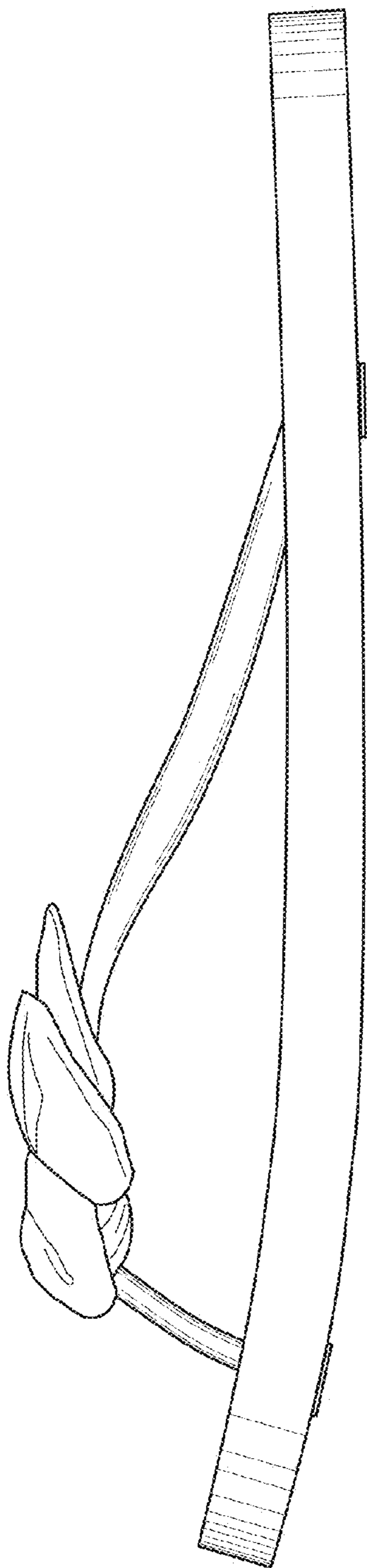


FIG. 4

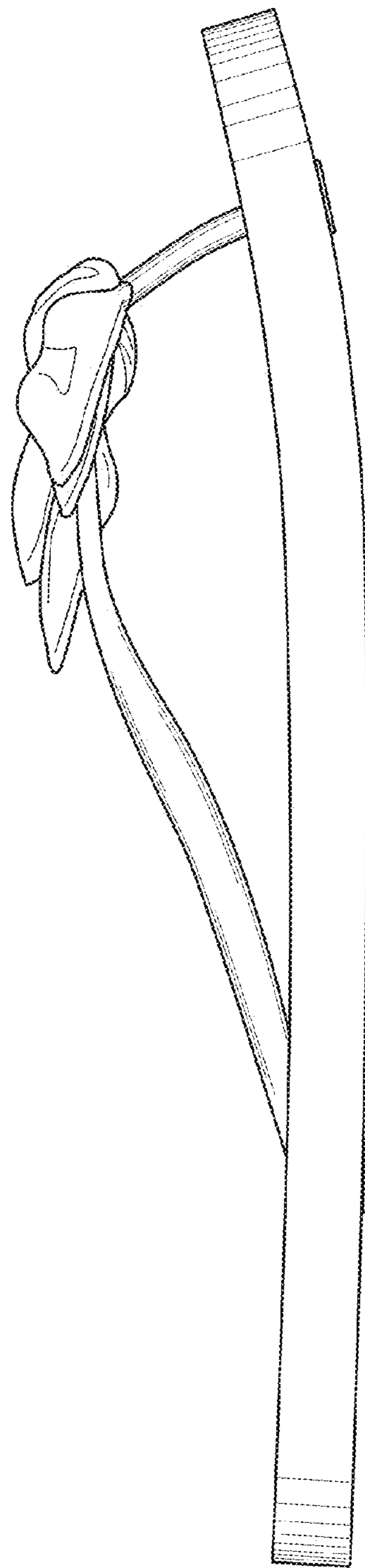


FIG. 5

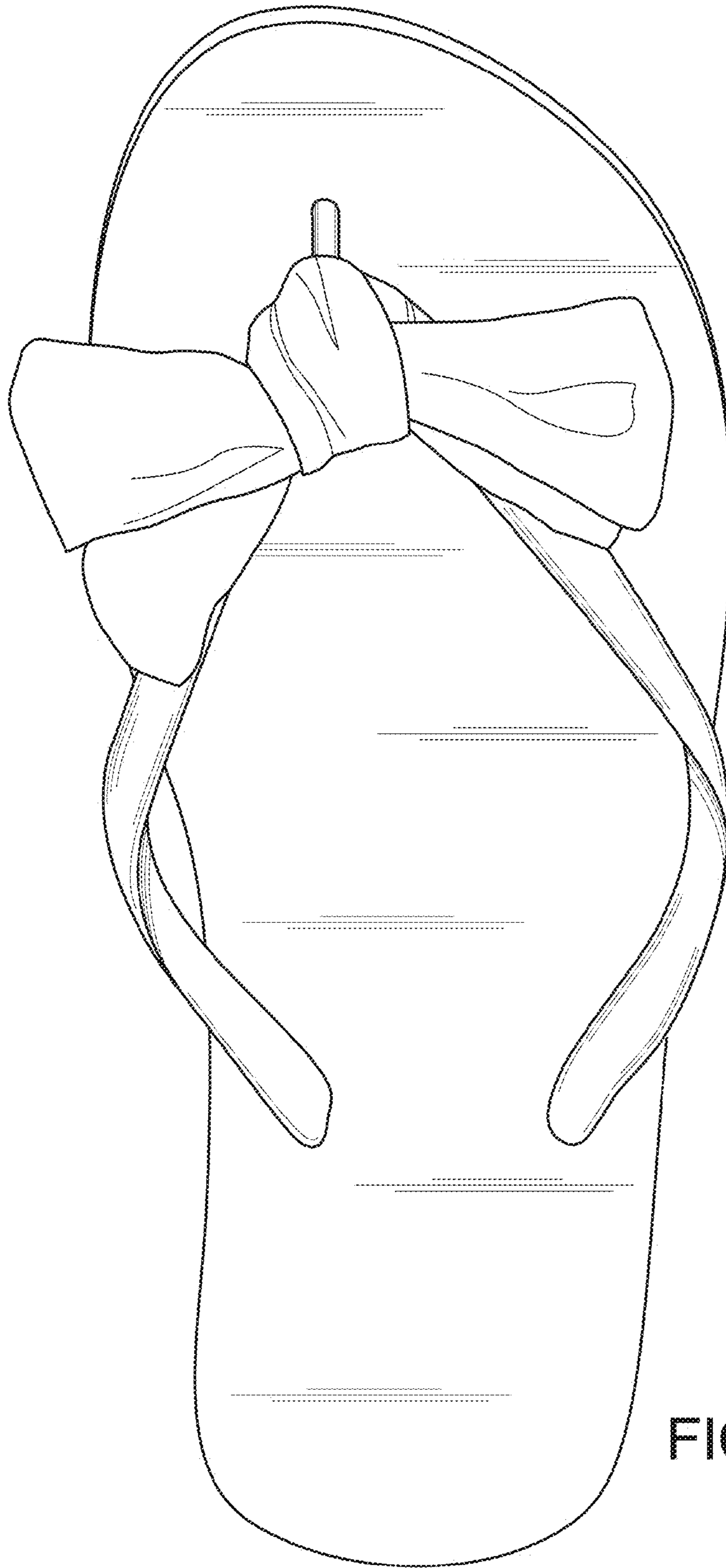


FIG. 6

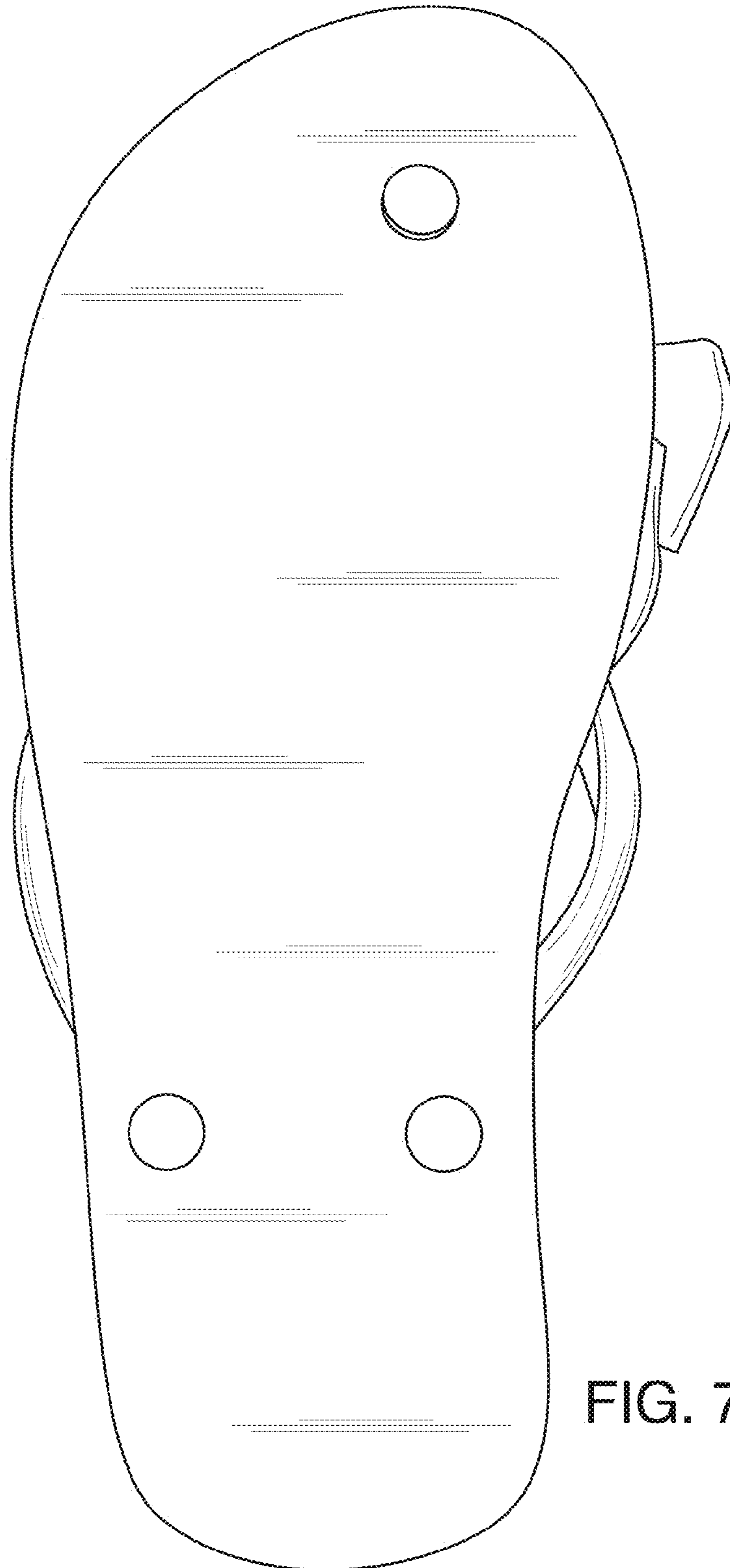


FIG. 7