



US00D711075S

(12) **United States Design Patent**  
**Issler**

(10) **Patent No.:** **US D711,075 S**

(45) **Date of Patent:** **\*\* Aug. 19, 2014**

(54) **SANDAL**

(71) Applicant: **David C. Issler**, Andover, MA (US)

(72) Inventor: **David C. Issler**, Andover, MA (US)

(73) Assignee: **Columbia Insurance Company**,  
Omaha, NE (US)

(\*\*) Term: **14 Years**

(21) Appl. No.: **29/480,755**

(22) Filed: **Jan. 29, 2014**

(51) **LOC (10) Cl.** ..... **02-04**

(52) **U.S. Cl.**  
USPC ..... **D2/916**

(58) **Field of Classification Search**

CPC ..... A43B 3/10; A43B 3/12; A43B 3/122;  
A43B 3/128; A43B 23/25  
USPC ..... D02/896, 900, 907, 916, 917, 924, 925,  
D02/943, 946, 969, 972-974; 36/1.5, 3 A,  
36/8.1, 11.5, 113-115, 45, 93, 7.5  
See application file for complete search history.

(56) **References Cited**

**U.S. PATENT DOCUMENTS**

D62,905 S \* 8/1923 Hamilton ..... D2/916  
D142,506 S \* 10/1945 Wolock ..... D2/916

D162,642 S \* 3/1951 Forschner ..... D2/916  
D163,359 S \* 5/1951 Braun ..... D2/916  
D166,025 S \* 2/1952 Braun ..... D2/916  
D418,280 S \* 1/2000 Kieler ..... D2/916  
D530,062 S \* 10/2006 Schoenborn et al. .... D2/916  
D547,045 S \* 7/2007 Belley et al. .... D2/969  
D575,049 S \* 8/2008 Weitzman ..... D2/969

\* cited by examiner

*Primary Examiner* — Robert M Spear

*Assistant Examiner* — Rashida C McCoy

(74) *Attorney, Agent, or Firm* — IP Attorneys Group, LLC

(57) **CLAIM**

The ornamental design for a sandal, as shown and described.

**DESCRIPTION**

FIG. 1 is a perspective view of a sandal in accordance with my new design;

FIG. 2 is a top view thereof;

FIG. 3 is a right side view thereof;

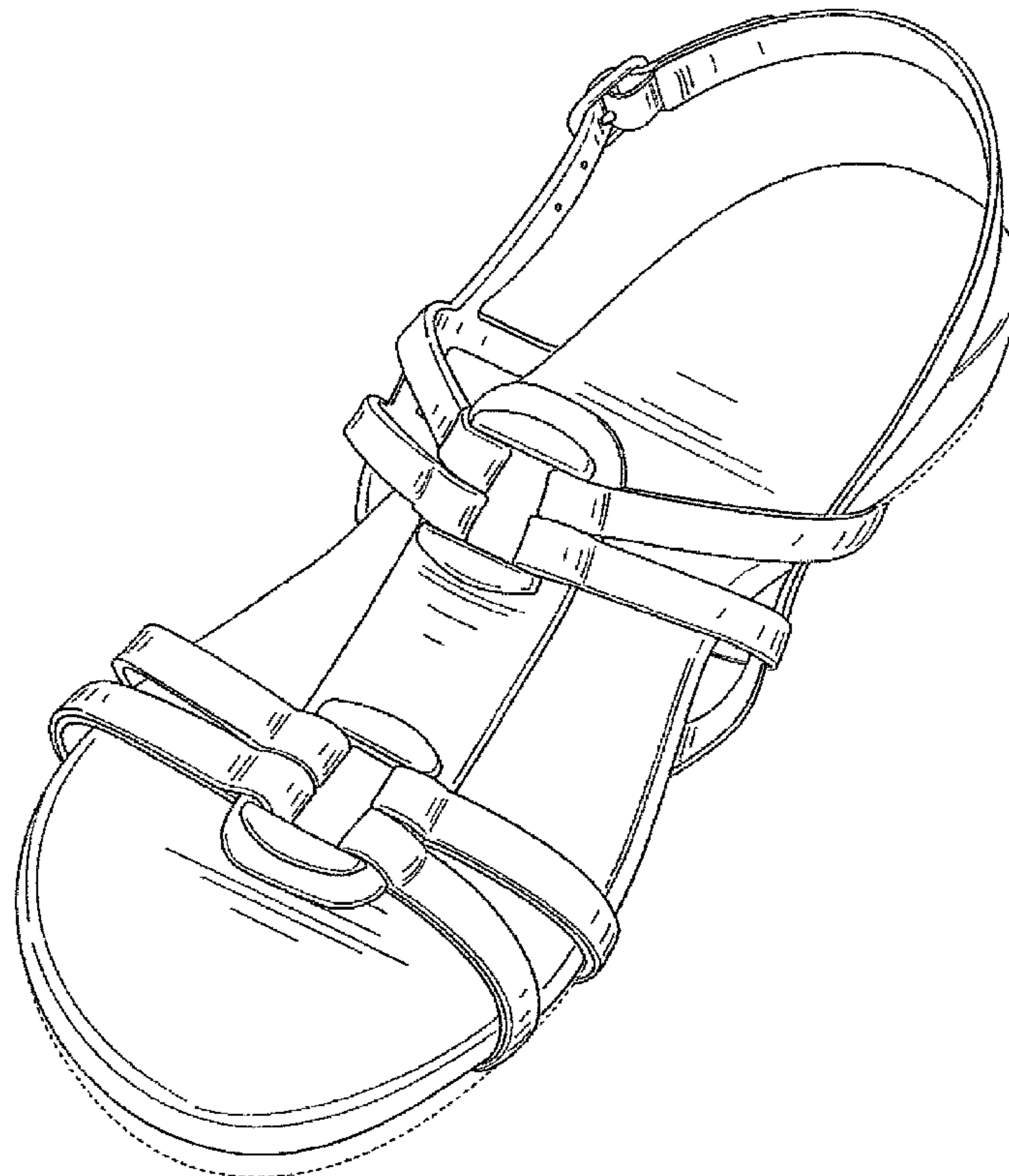
FIG. 4 is a left side view thereof;

FIG. 5 is a front view thereof; and,

FIG. 6 is a rear view thereof.

The broken lines shown in all of the figures are for environmental purposes and form no part of the claim.

**1 Claim, 5 Drawing Sheets**



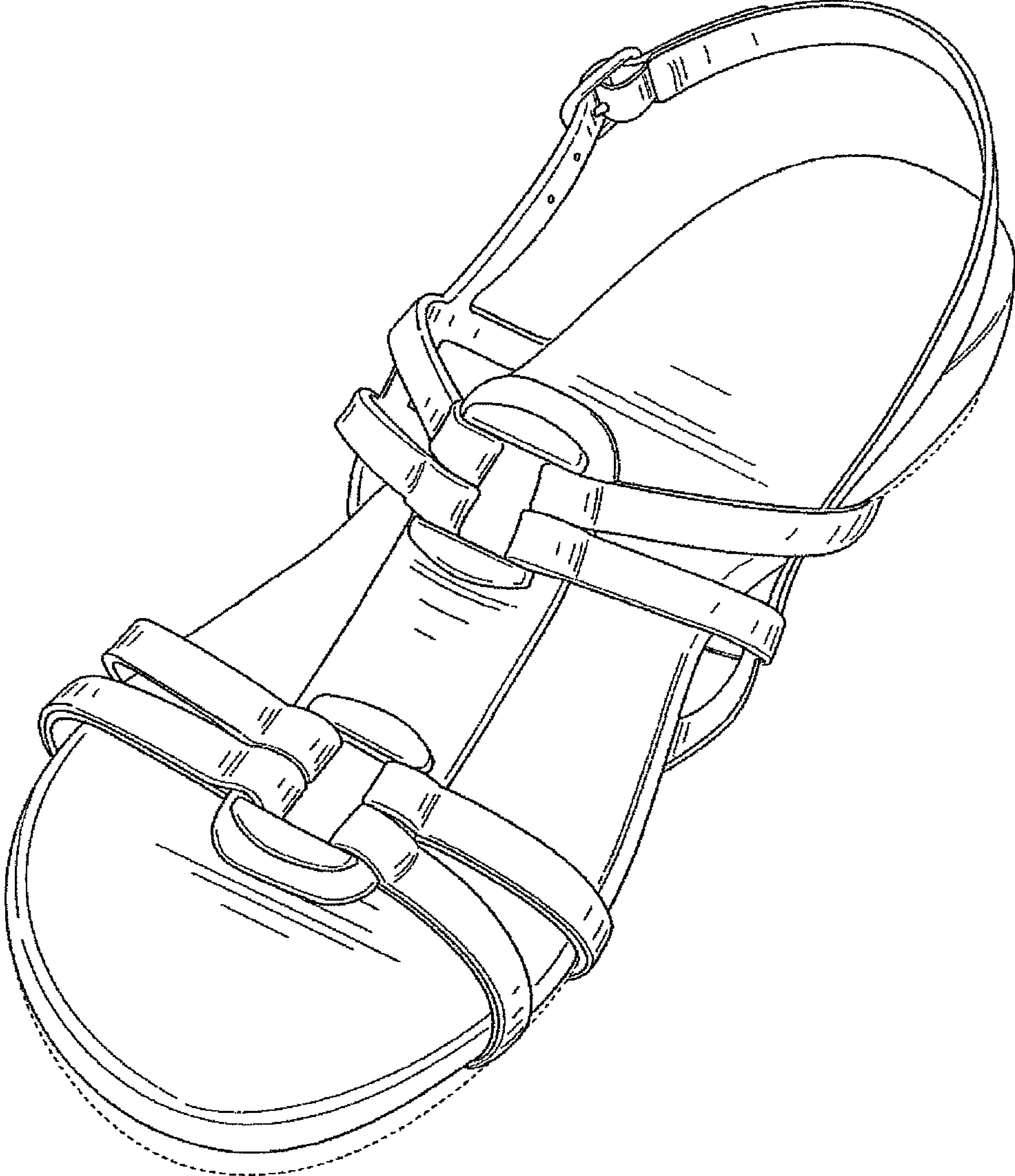


FIG. 1

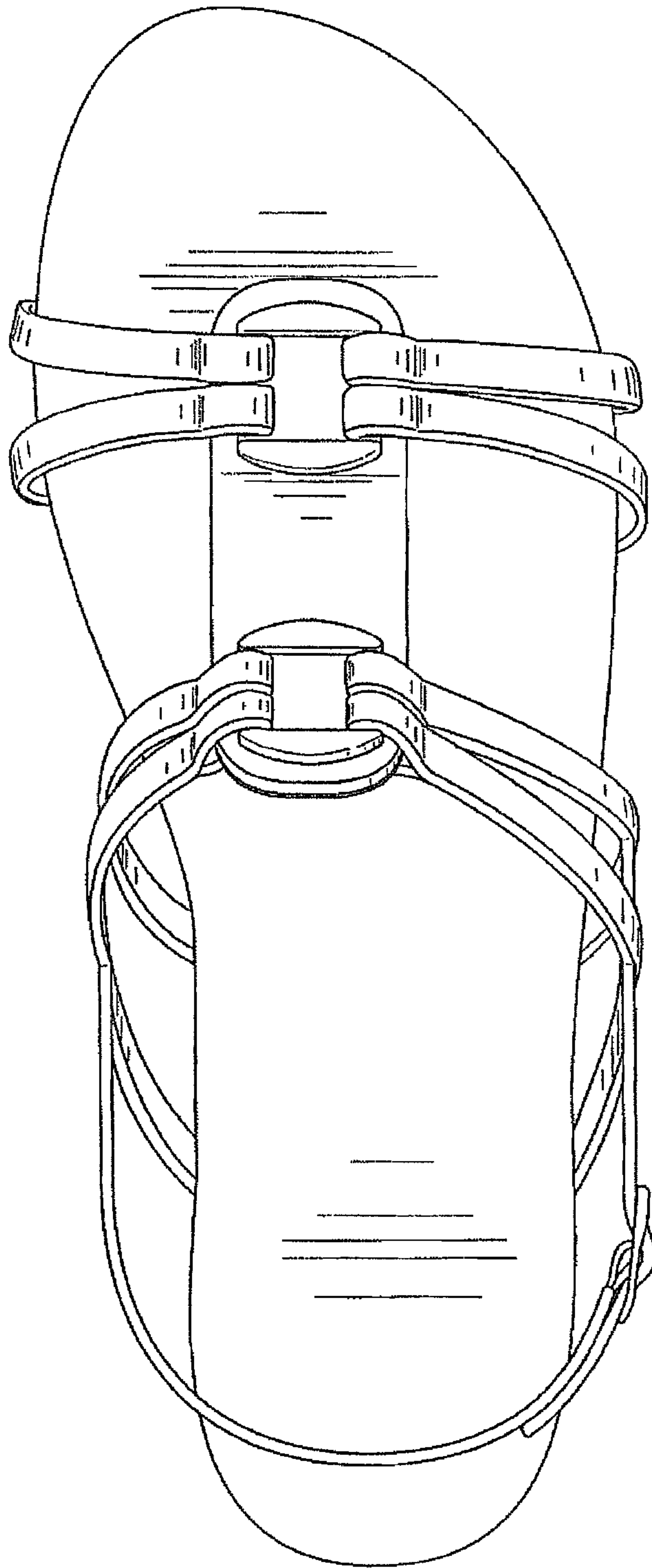


FIG. 2

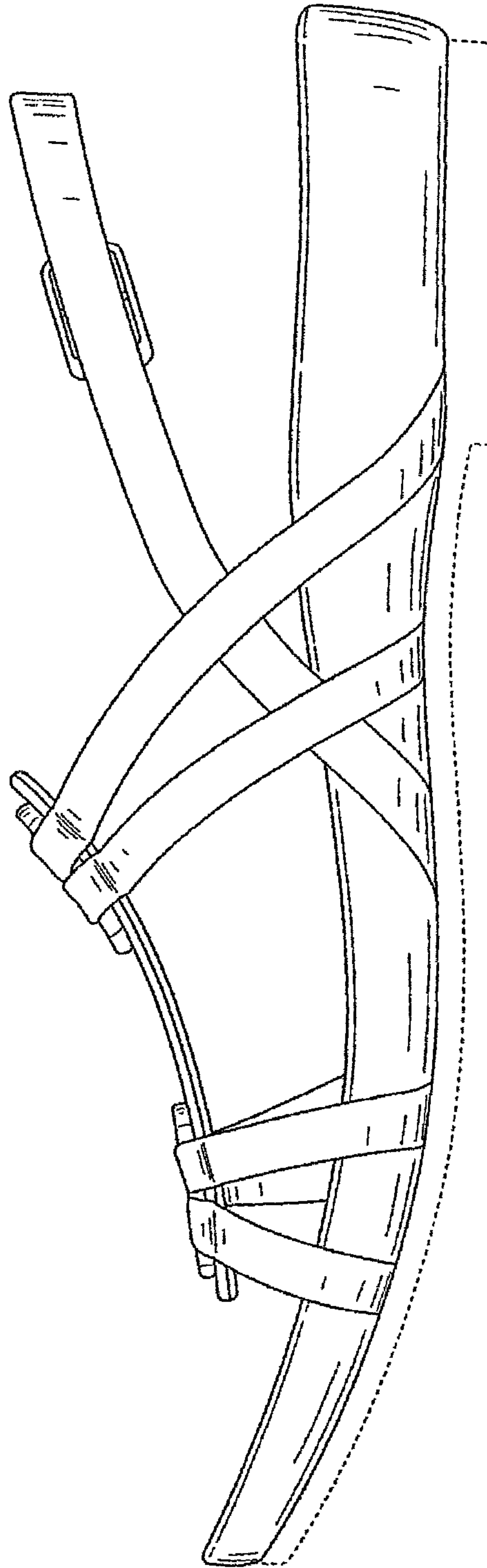


FIG. 3

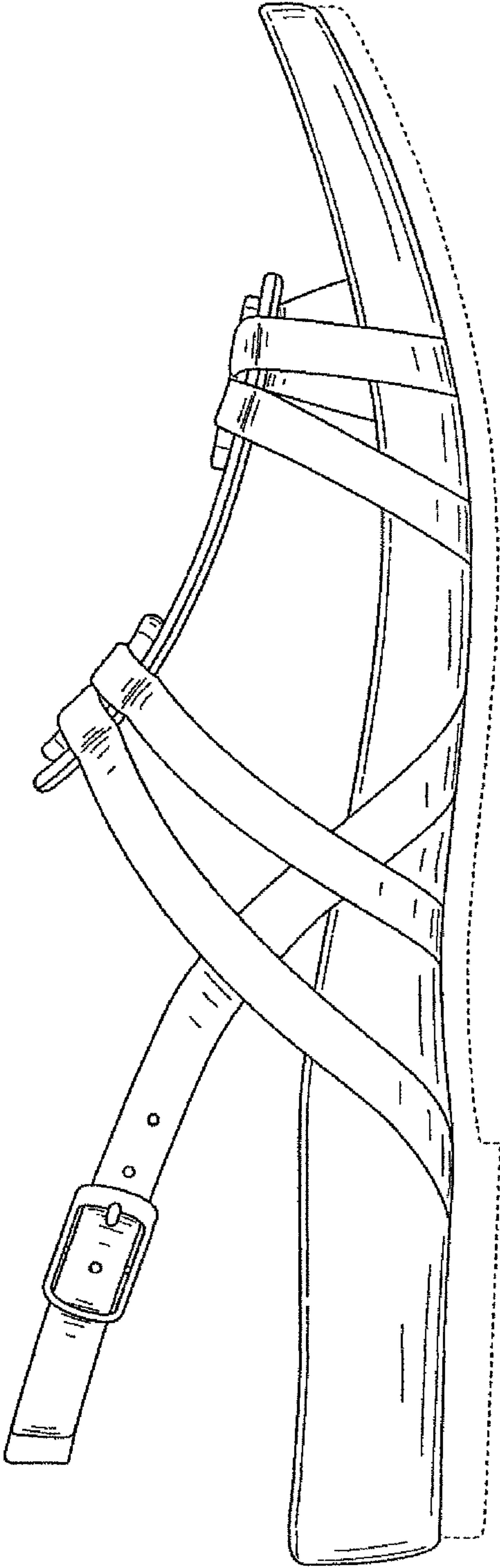


FIG. 4



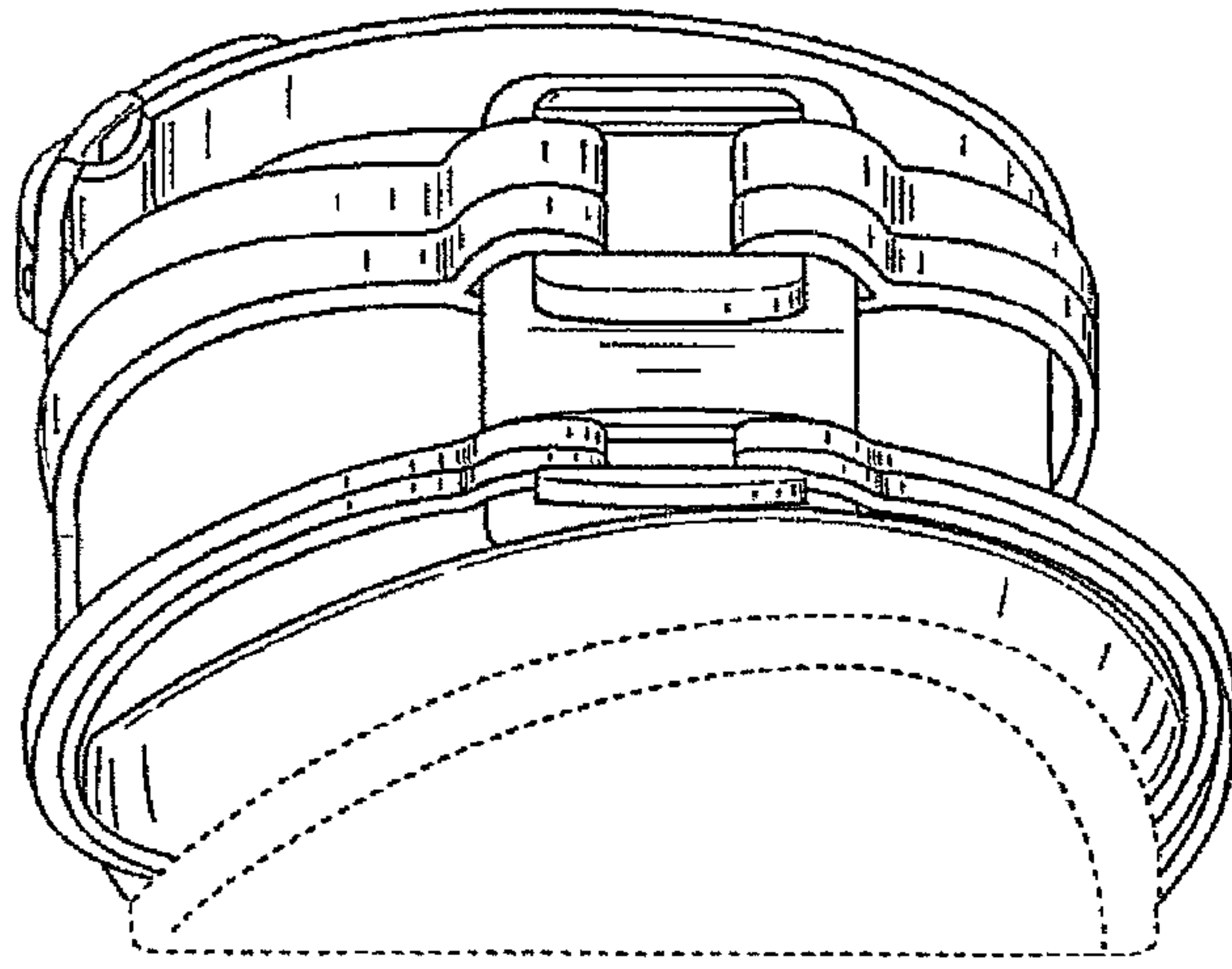


FIG. 5

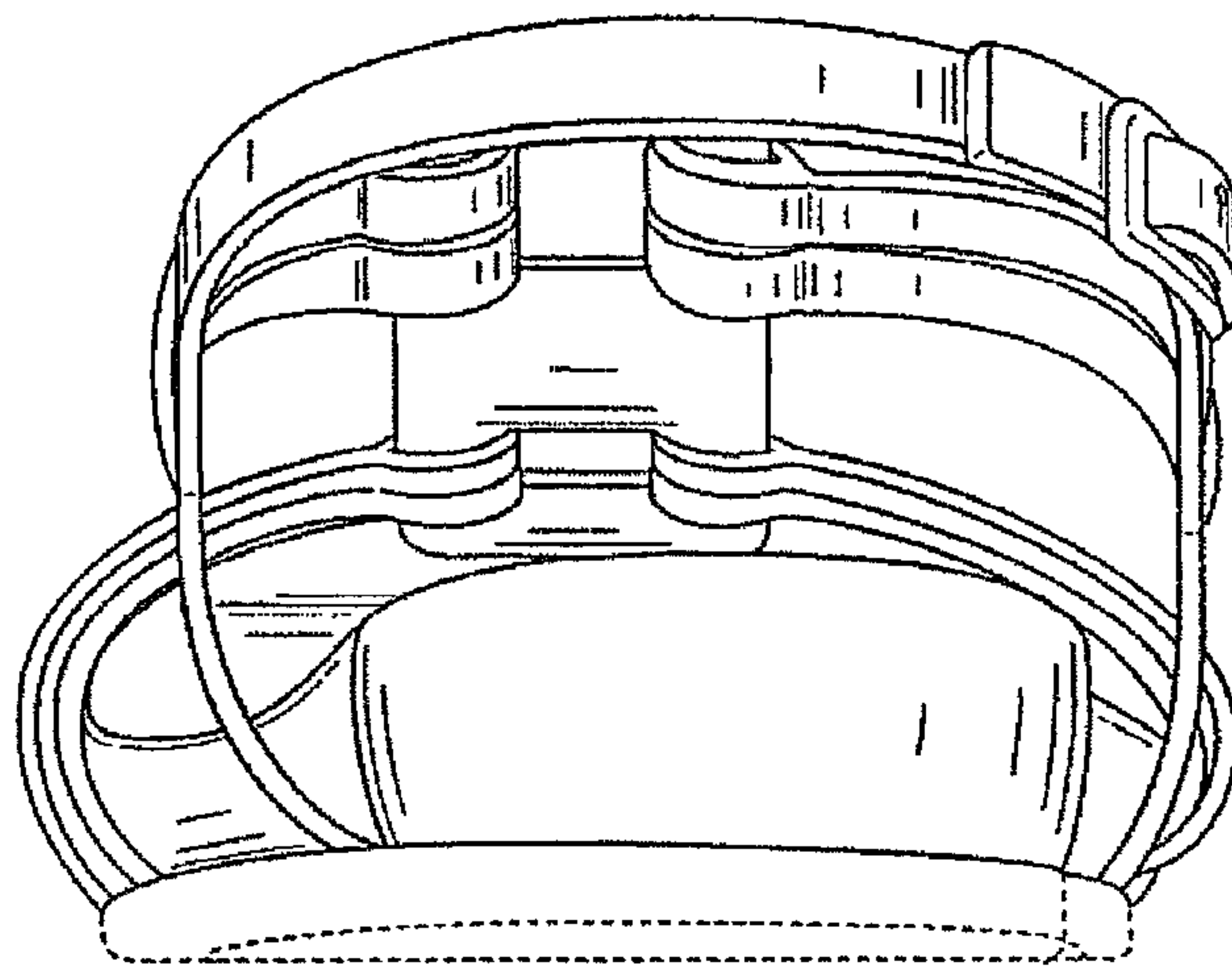


FIG. 6