



US00D711064S

(12) **United States Design Patent**  
**Miller**

(10) **Patent No.:** **US D711,064 S**

(45) **Date of Patent:** **\*\* Aug. 12, 2014**

(54) **ENGRAVABLE CREMATION VAULT**

(71) Applicant: **Judy P. Miller**, Greensboro, NC (US)

(72) Inventor: **Judy P. Miller**, Greensboro, NC (US)

(\*\*) Term: **14 Years**

(21) Appl. No.: **29/455,948**

(22) Filed: **May 28, 2013**

(51) **LOC (10) Cl.** ..... **06-99**

(52) **U.S. Cl.**

CPC ..... **A61G 17/08** (2013.01)

USPC ..... **D99/18**; D99/5

(58) **Field of Classification Search**

CPC ..... **A61G 17/08**

USPC ..... **D99/5, 18, 19; D6/553, 556, 559, 623;**

**27/1; 217/62; 52/103, 104, 157, 165;**

**248/156; 40/124.5**

See application file for complete search history.

(56) **References Cited**

**U.S. PATENT DOCUMENTS**

404,880	A *	6/1889	Wheat	217/62
661,830	A *	11/1900	Webster	52/104
1,425,361	A *	8/1922	Beroud	52/3
1,448,808	A *	3/1923	McGowan	47/41.01
1,907,340	A *	5/1933	Brady	312/100
1,979,932	A *	11/1934	Beckett	40/645
2,206,625	A *	7/1940	Beach et al.	52/165
2,531,737	A *	11/1950	Lyon, Jr.	220/345.3
2,663,457	A *	12/1953	Shaffer	220/324
2,789,397	A *	4/1957	Tritsch et al.	47/41.01
4,285,149	A *	8/1981	Berryhill	40/124.5
D268,374	S *	3/1983	Dercks et al.	D99/5
5,553,426	A *	9/1996	Ostergaard	52/103

5,625,933	A *	5/1997	Neuberger et al.	27/1
5,647,108	A *	7/1997	Crook	27/1
5,774,958	A *	7/1998	Casimir	27/1
D398,132	S	9/1998	Thesken	D99/19
5,815,897	A	10/1998	Longstreth	27/1
D432,285	S	10/2000	Baldwin et al.	D99/5
6,341,437	B1 *	1/2002	Heiling et al.	40/124.5
6,854,165	B1	2/2005	Parker	27/1
6,925,740	B2 *	8/2005	Shannon	40/124.5
D636,965	S *	4/2011	Stiles	D99/17
2002/0184798	A1 *	12/2002	McGovern	40/124.5
2004/0139633	A1 *	7/2004	Shannon	40/124.5
2005/0022433	A1 *	2/2005	Regelin	40/124.5
2005/0126058	A1 *	6/2005	Rojdev et al.	40/124.5
2008/0104899	A1 *	5/2008	Hill	52/165

\* cited by examiner

*Primary Examiner* — Paula Greene

(74) *Attorney, Agent, or Firm* — Blake P. Hurt

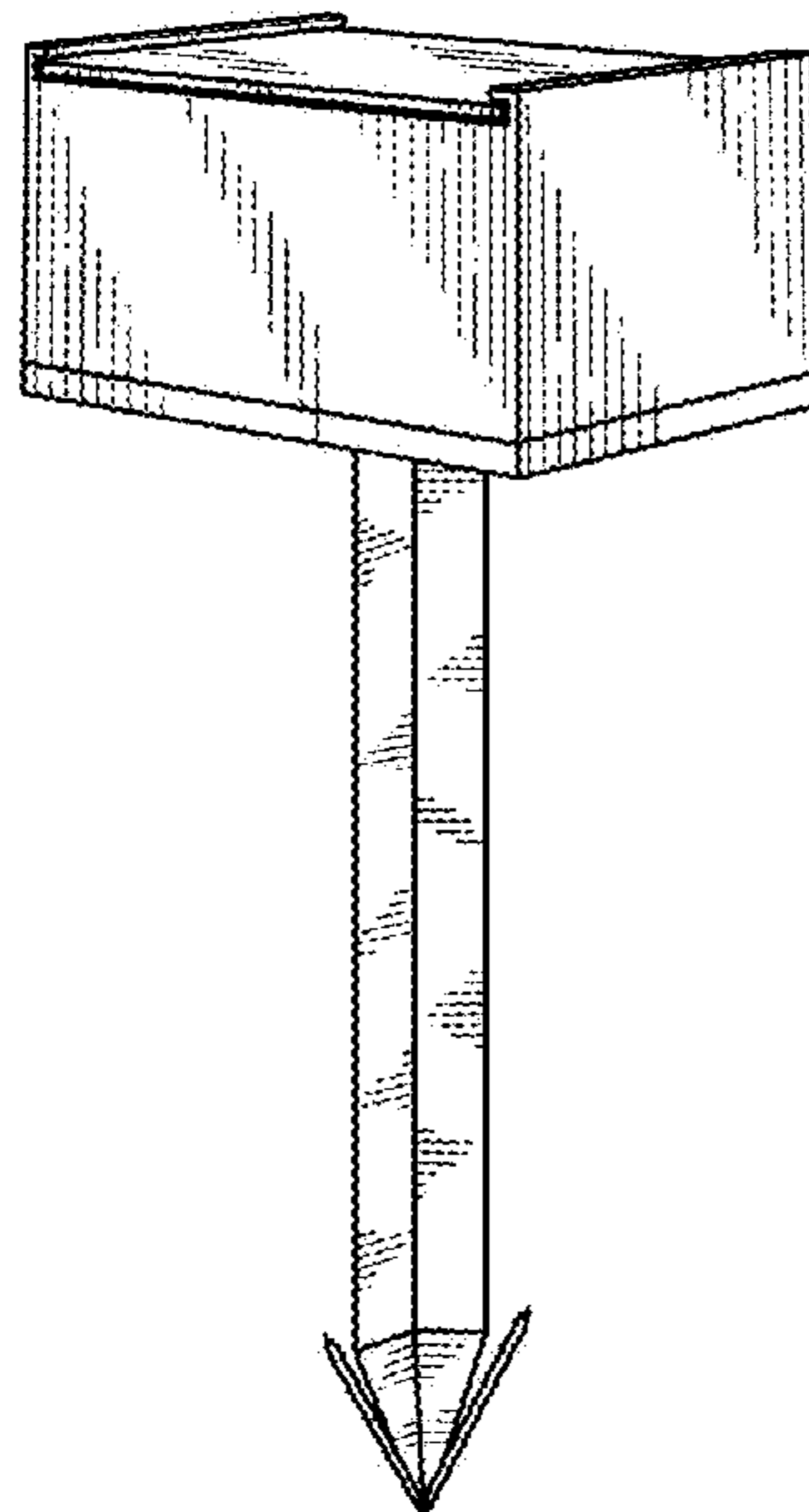
(57) **CLAIM**

The ornamental design for an engravable cremation vault, as shown and described.

**DESCRIPTION**

FIG. 1 is a top, front, left side perspective view of an engravable cremation vault showing my new design;  
 FIG. 2 is a right side elevational view thereof;  
 FIG. 3 is a rear elevational view thereof, the front elevational view being a mirror image thereof;  
 FIG. 4 is a left side elevational view thereof;  
 FIG. 5 is a top plan view thereof; and,  
 FIG. 6 is a bottom plan view thereof.  
 The words shown in dashed lines in FIG. 5 are included for the purpose of illustrating environment and form no part of the claimed design.

**1 Claim, 2 Drawing Sheets**



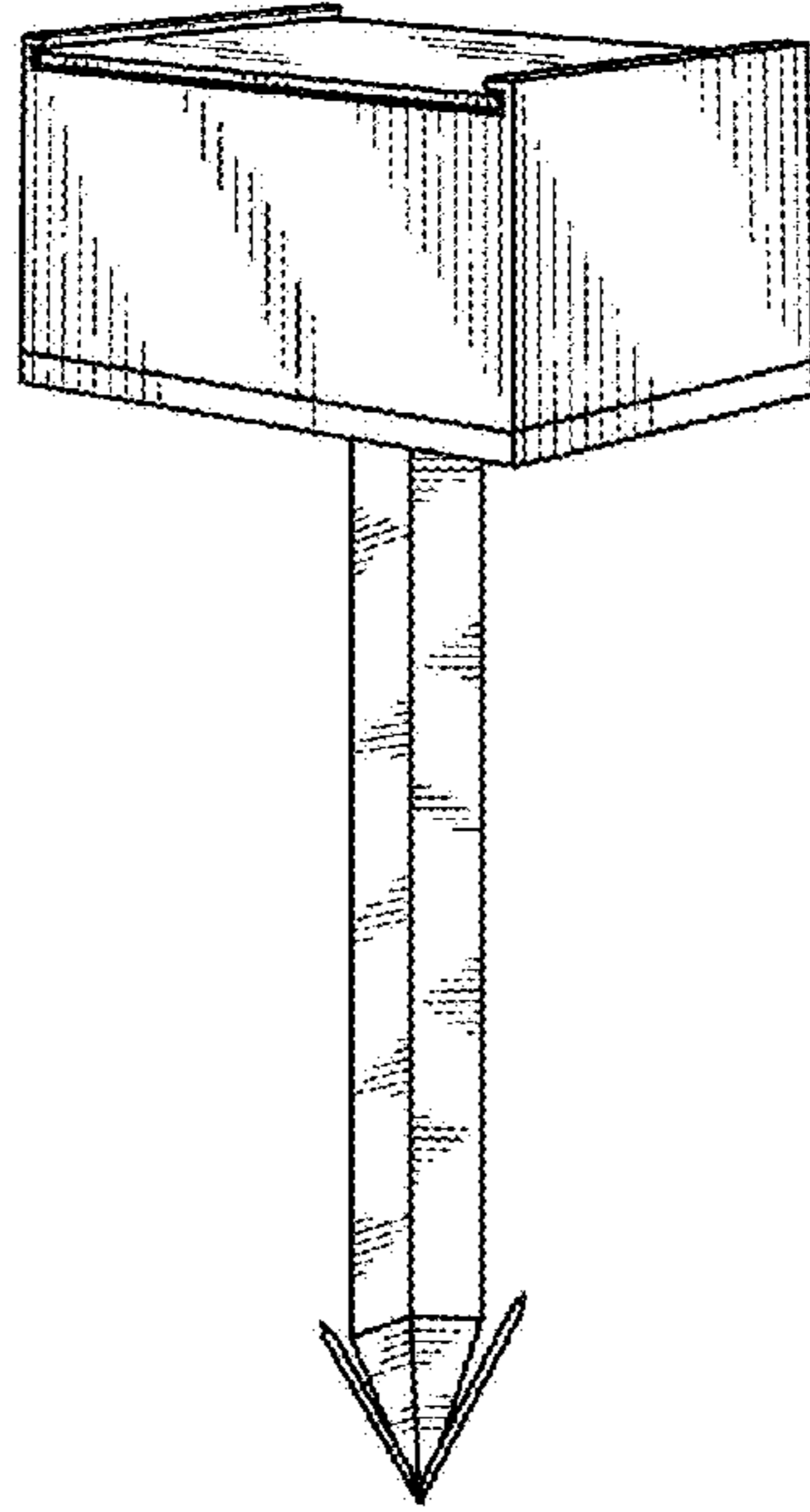


Fig. 1

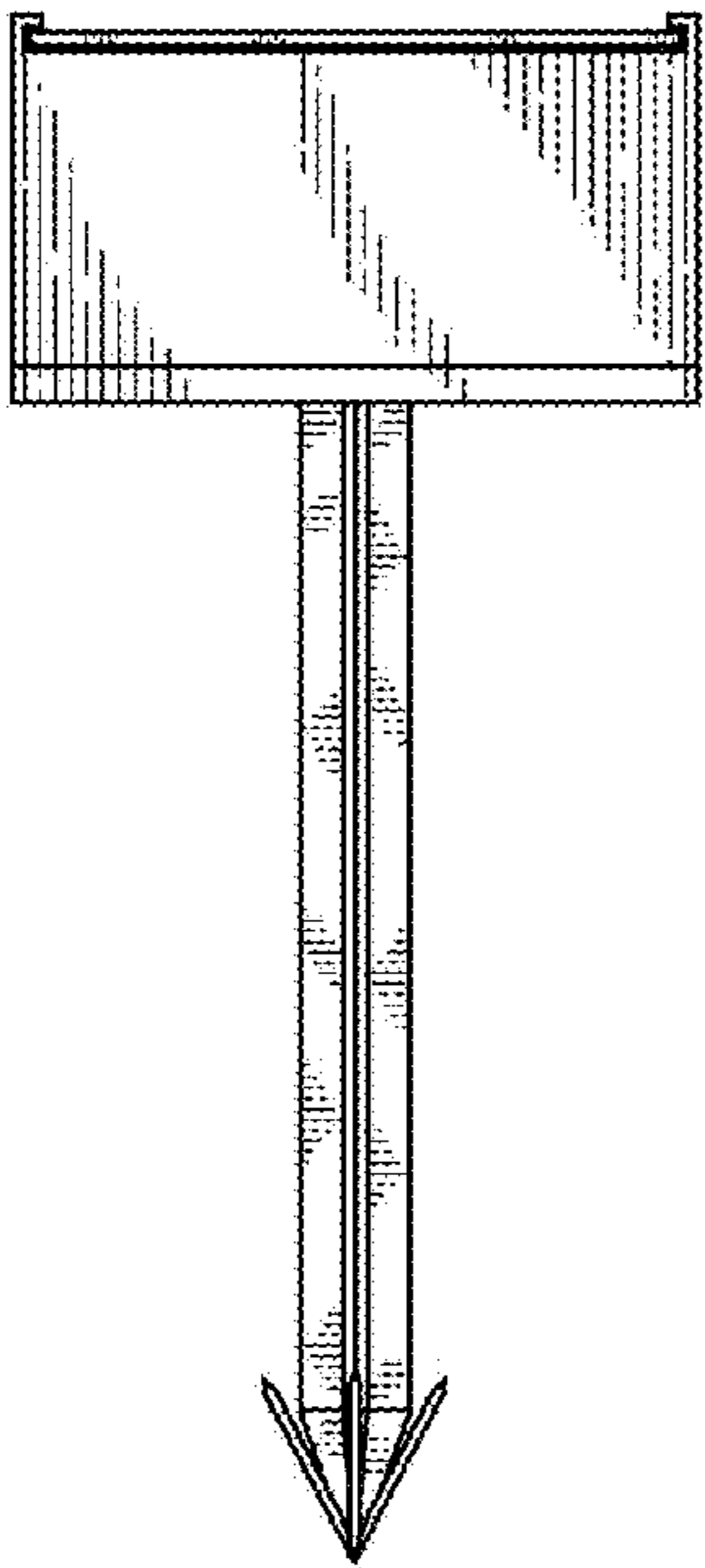


Fig. 2

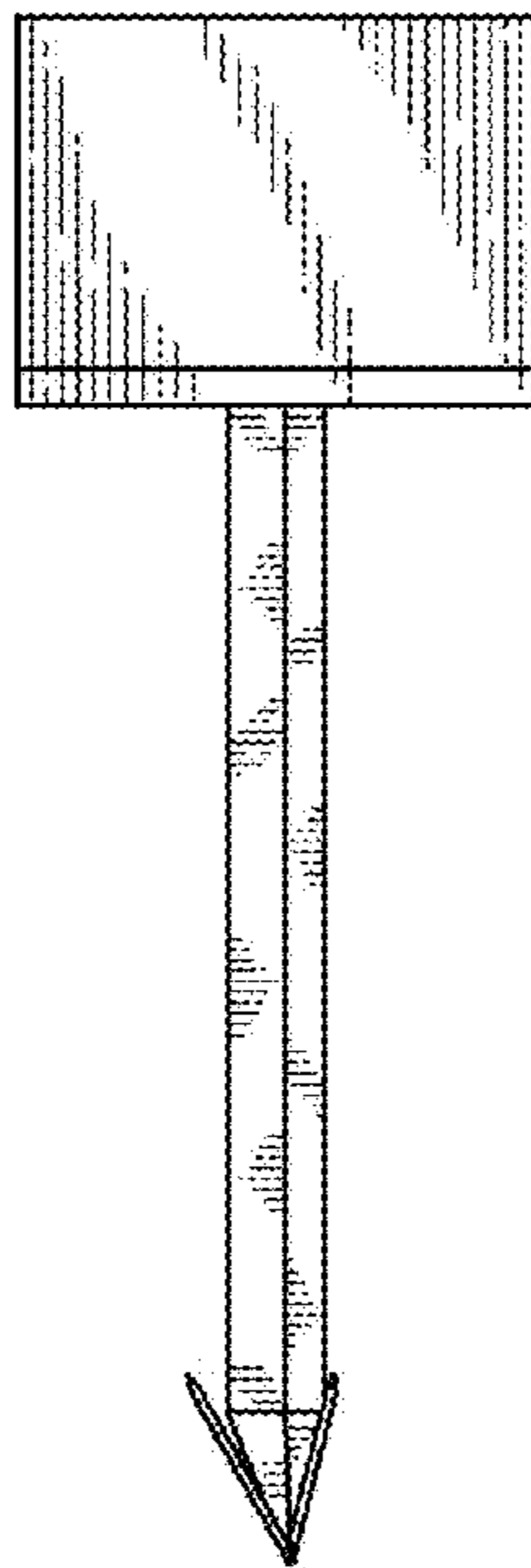


Fig. 3

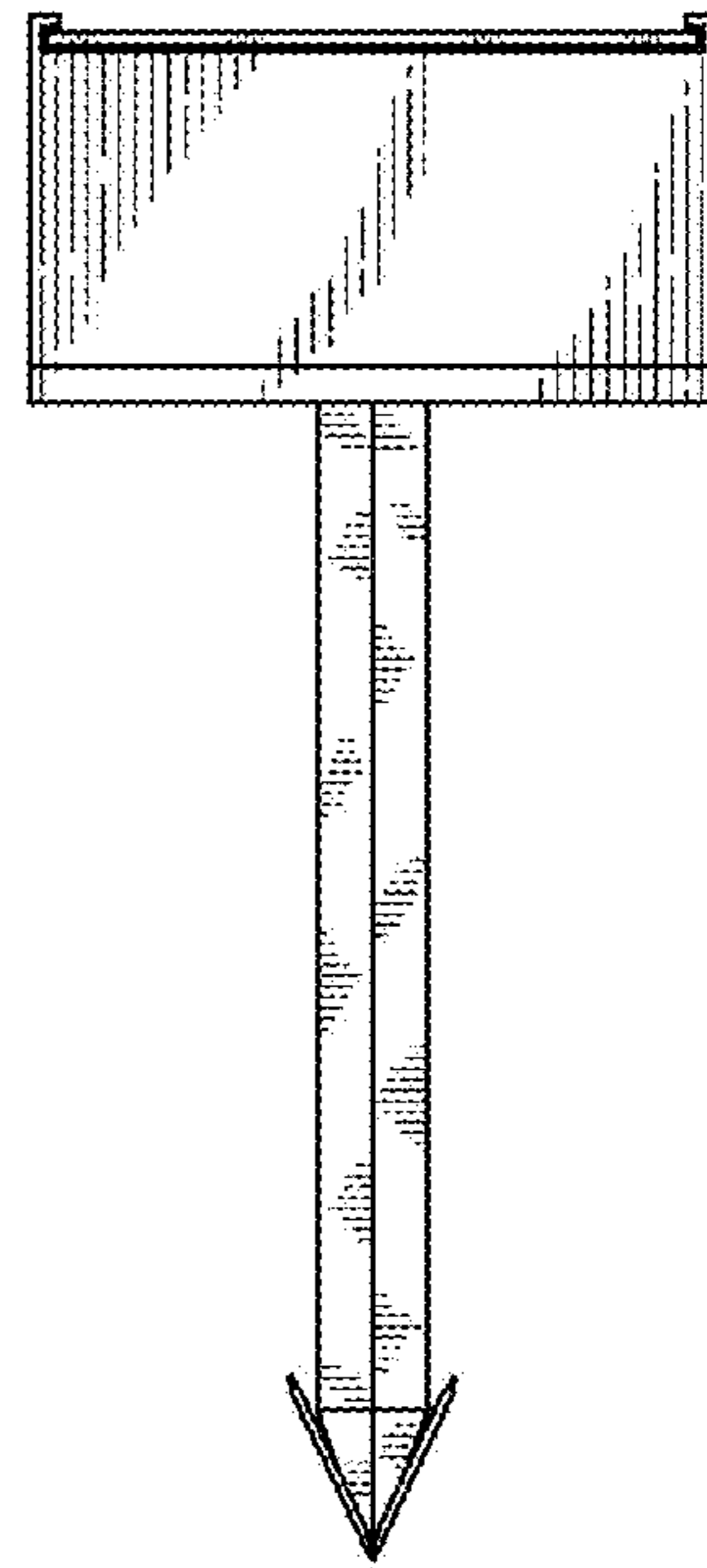


Fig. 4



Fig. 5

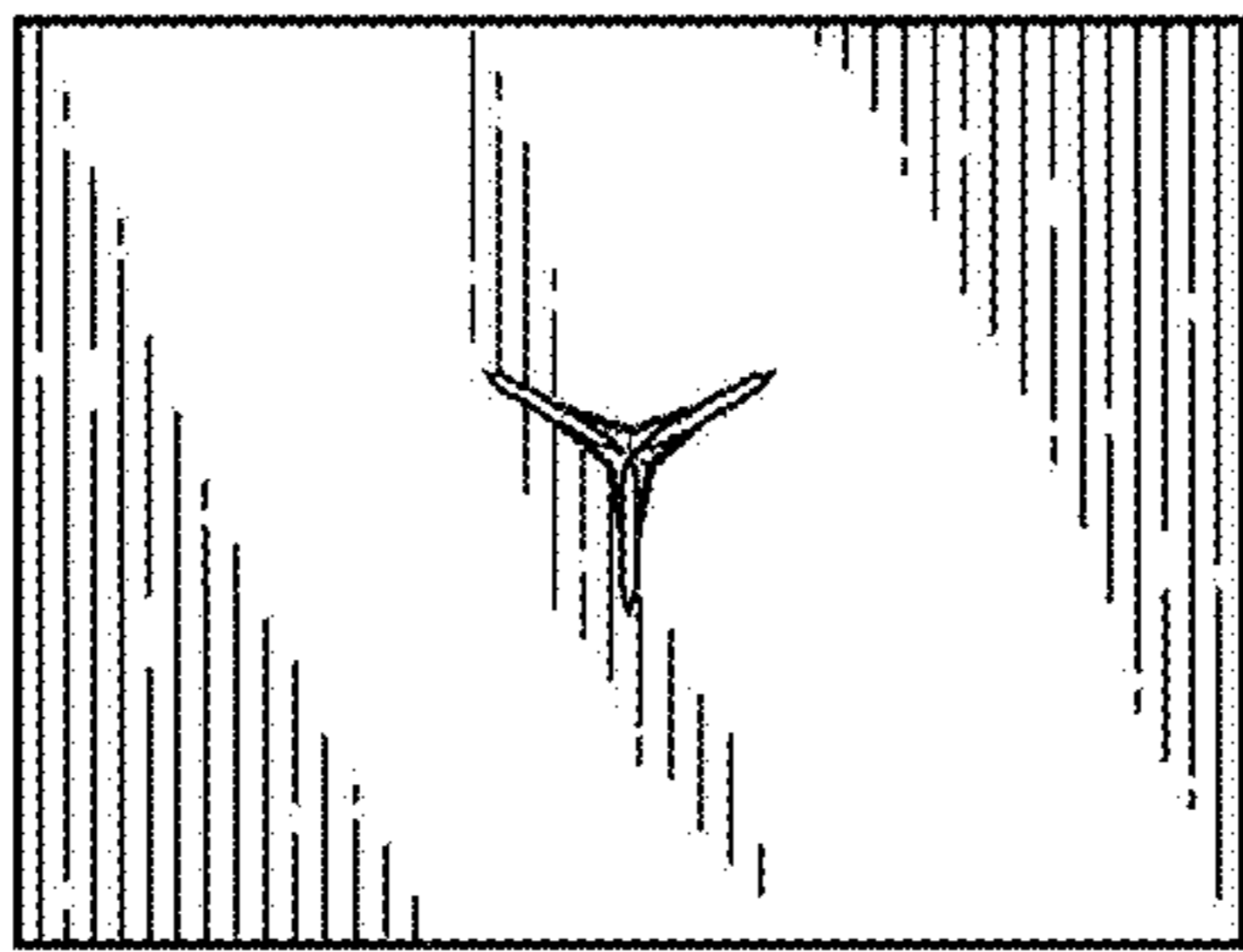


Fig. 6