



US00D711061S

(12) **United States Design Patent**
Chen

(10) **Patent No.:** **US D711,061 S**

(45) **Date of Patent:** **** Aug. 12, 2014**

(54) **ROBOT**

(71) Applicant: **Hon Hai Precision Industry Co., Ltd.**,
New Taipei (TW)

(72) Inventor: **Wen-Sheng Chen**, Shenzhen (CN)

(73) Assignee: **Hon Hai Precision Industry Co., Ltd.**,
New Taipei (TW)

(**) Term: **14 Years**

(21) Appl. No.: **29/455,302**

(22) Filed: **May 20, 2013**

(30) **Foreign Application Priority Data**

Apr. 3, 2013 (CN) 2013 3 00970610

(51) **LOC (10) Cl.** **12-05**

(52) **U.S. Cl.**
USPC **D34/29**

(58) **Field of Classification Search**

USPC D34/29, 35, 28; 198/771, 866, 890,
198/367, 890.1, 370.1, 370.04, 782, 722;
414/935, 936, 937, 744.1, 938, 940

See application file for complete search history.

(56) **References Cited**

U.S. PATENT DOCUMENTS

5,199,845 A * 4/1993 Hirashima et al. 414/744.1
5,201,106 A * 4/1993 Moore et al. 29/407.05

5,515,599 A * 5/1996 Best 29/705
5,658,121 A * 8/1997 Hashimoto 414/744.1
5,989,346 A * 11/1999 Hiroki 118/719
6,364,599 B1 * 4/2002 Suwa et al. 414/744.1
6,704,998 B1 * 3/2004 Bonora et al. 29/700
6,927,181 B2 * 8/2005 Wakizako et al. 438/782
6,991,419 B2 * 1/2006 Kim 414/680
7,244,088 B2 * 7/2007 Lero et al. 414/416.08
D562,524 S * 2/2008 Hiroki et al. D34/28
2005/0255609 A1 * 11/2005 Kumagai et al. 438/5
2006/0046376 A1 * 3/2006 Hofer et al. 438/220

* cited by examiner

Primary Examiner — Cynthia Ramirez

(74) *Attorney, Agent, or Firm* — Novak Druce Connolly
Bove + Quigg LLP

(57) **CLAIM**

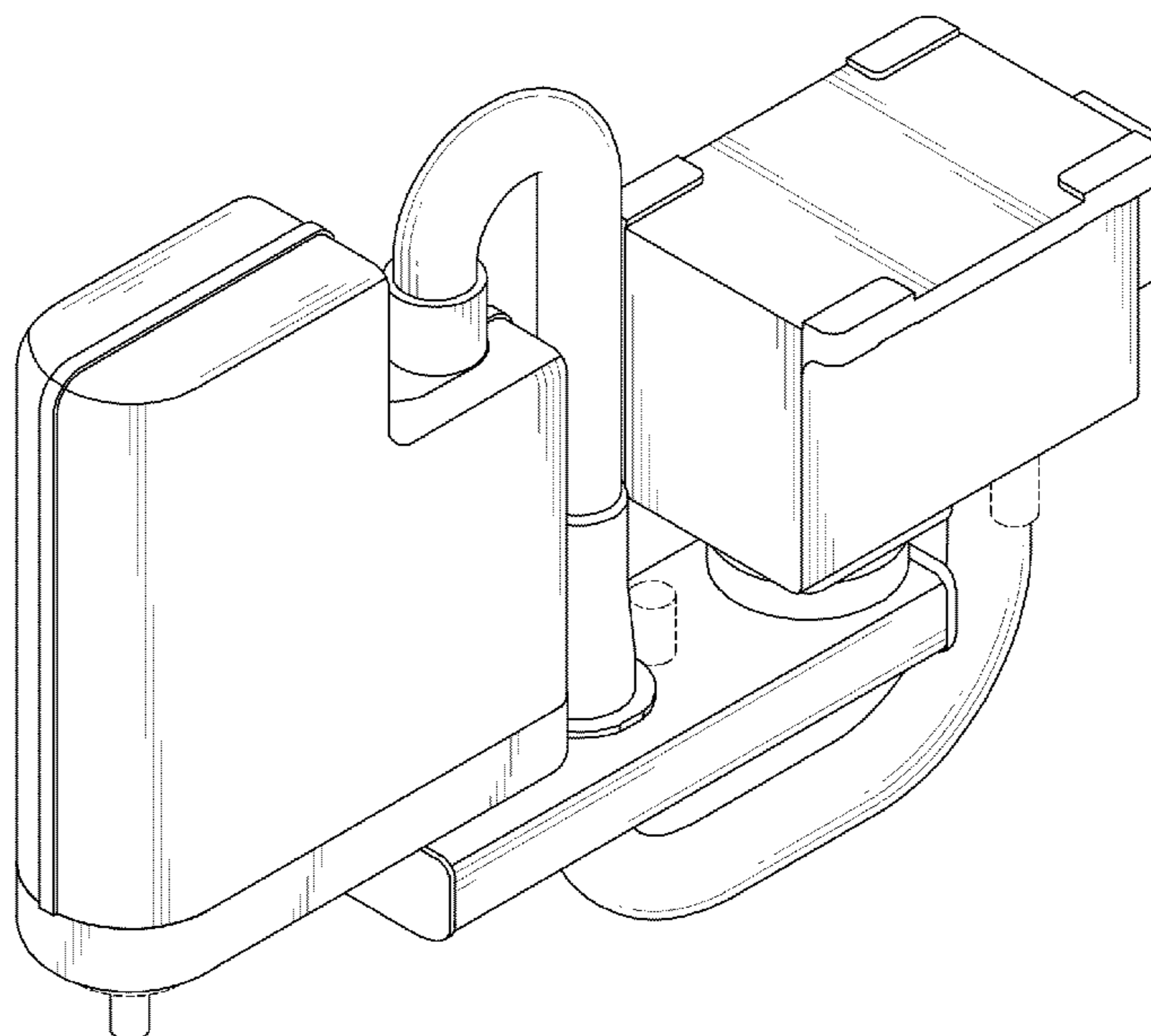
The ornamental design for a robot, as shown and described.

DESCRIPTION

FIG. 1 is a perspective view of a robot showing our design;
FIG. 2 is a front elevational view thereof;
FIG. 3 is a rear elevational view thereof;
FIG. 4 is a left-side elevational view thereof;
FIG. 5 is a right-side elevational view thereof;
FIG. 6 is a top plan view thereof; and,
FIG. 7 is a bottom plan view thereof.

The broken lines are for illustrative purposes only and form
no part of the claimed design.

1 Claim, 7 Drawing Sheets



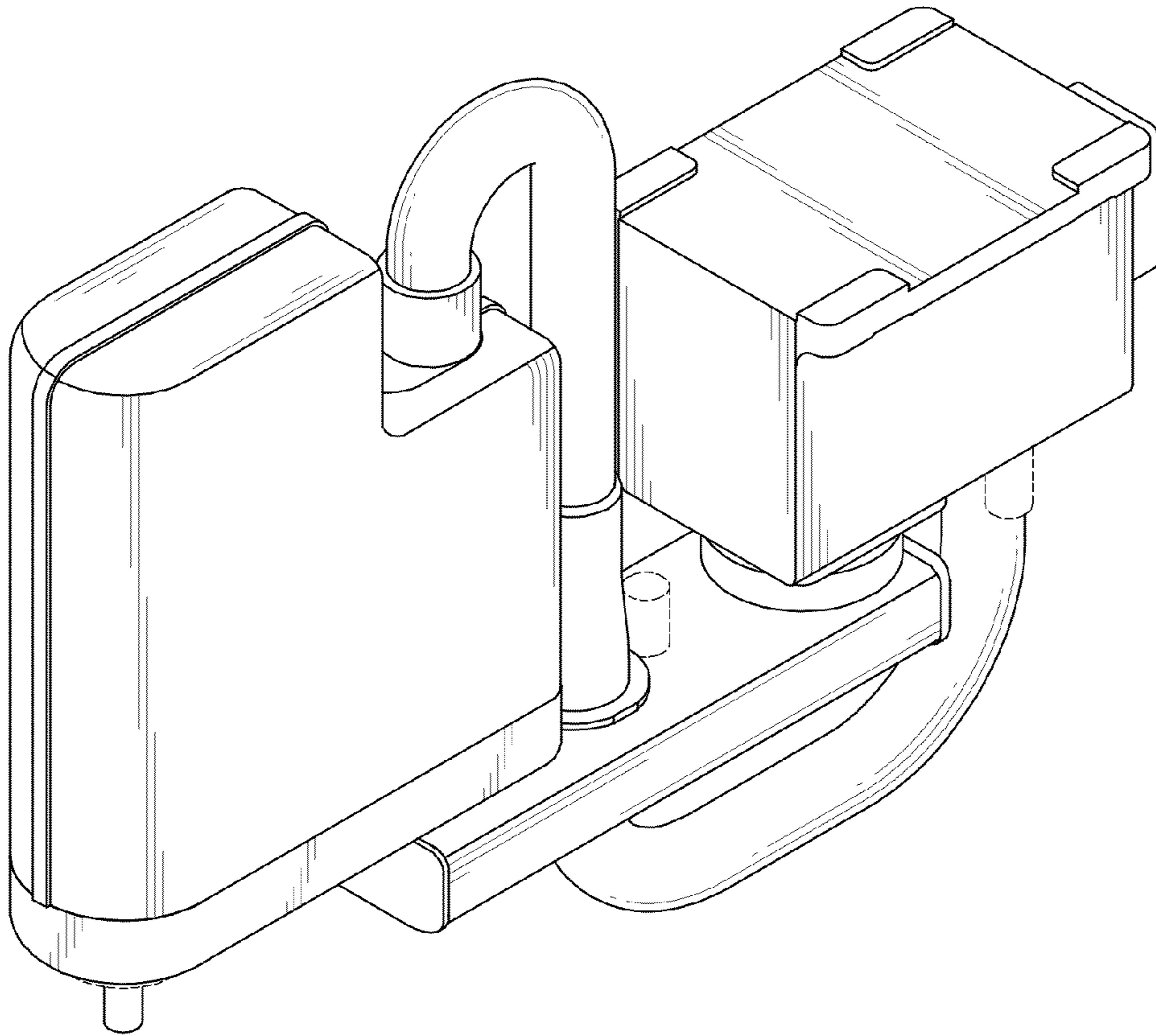


FIG. 1

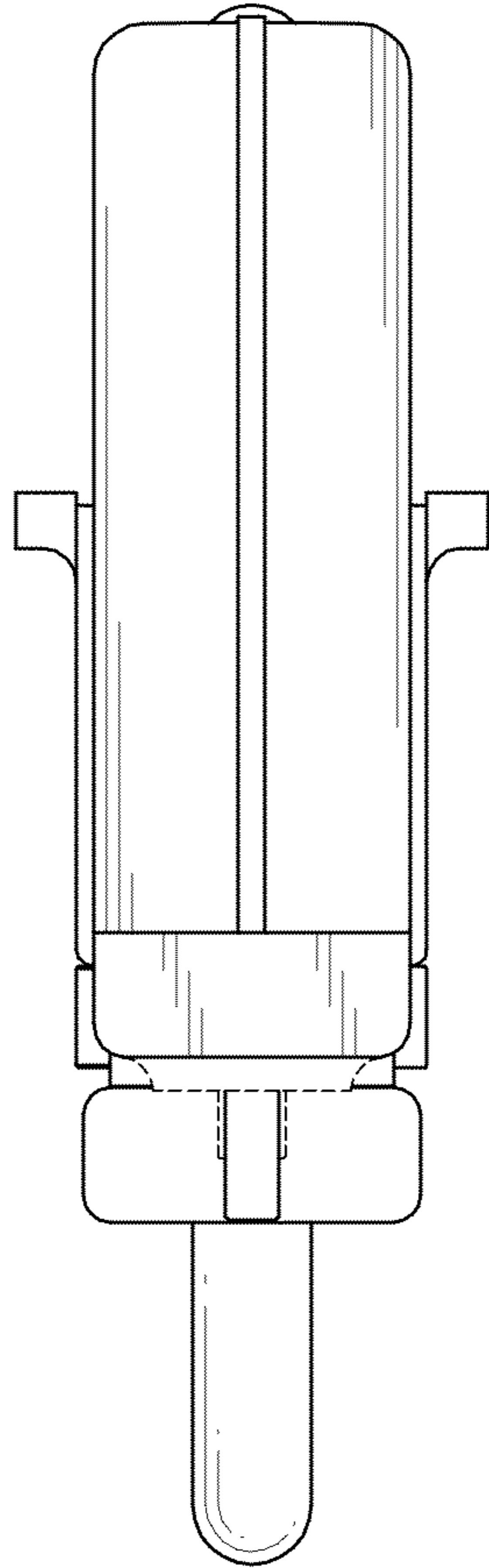


FIG. 2

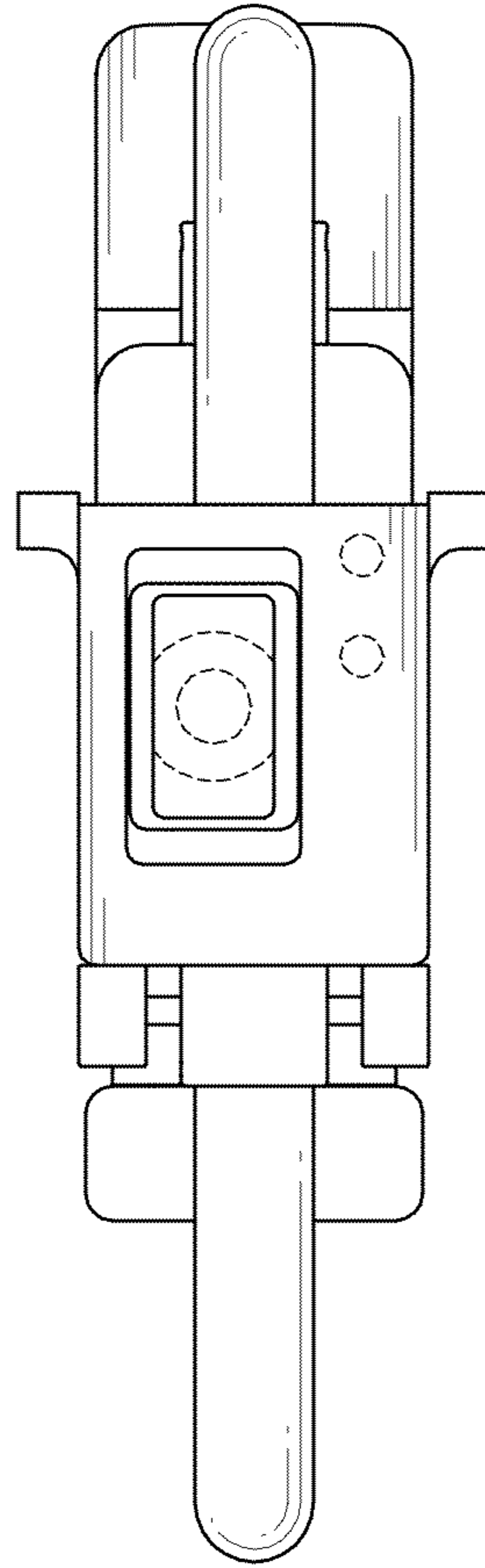


FIG. 3

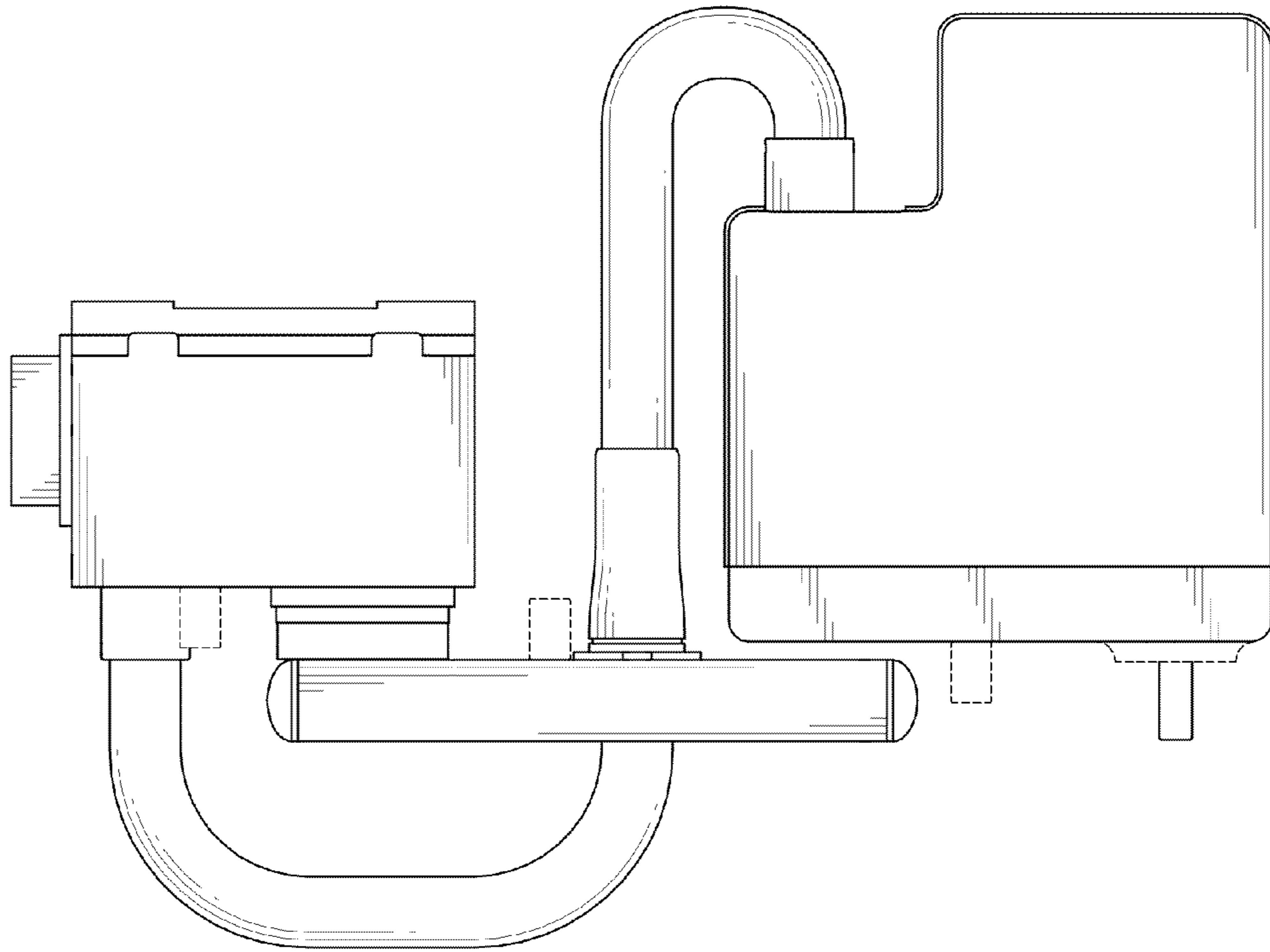


FIG. 4

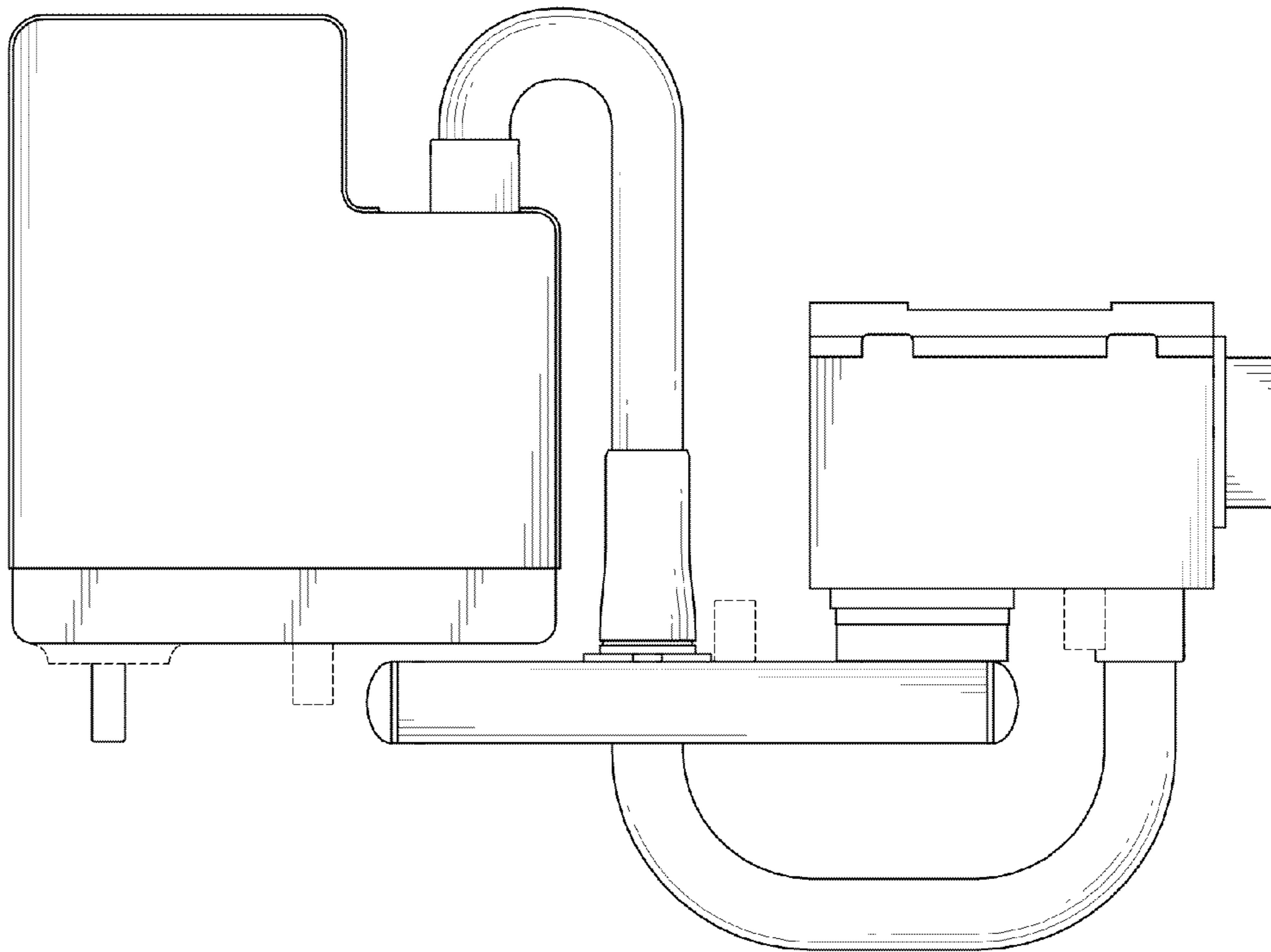


FIG. 5

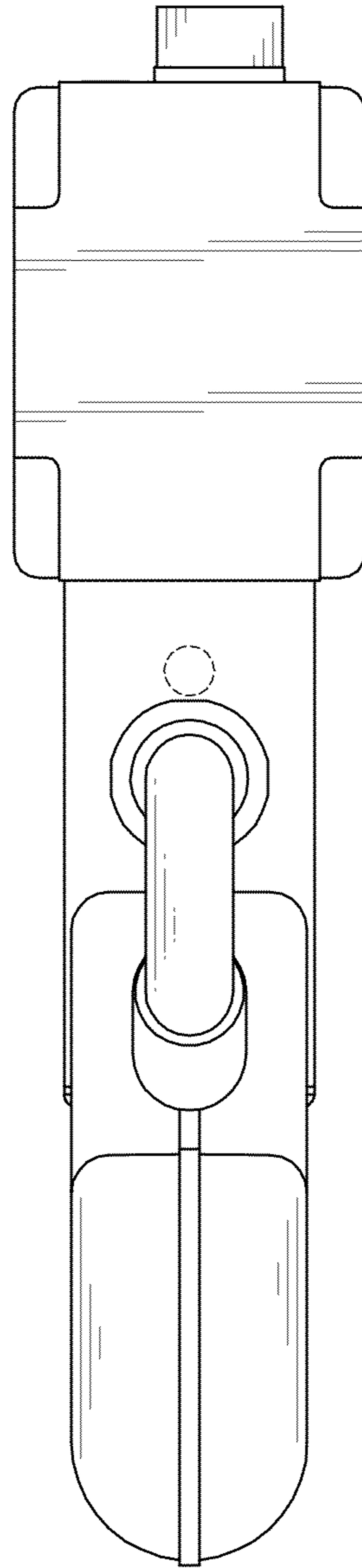


FIG. 6

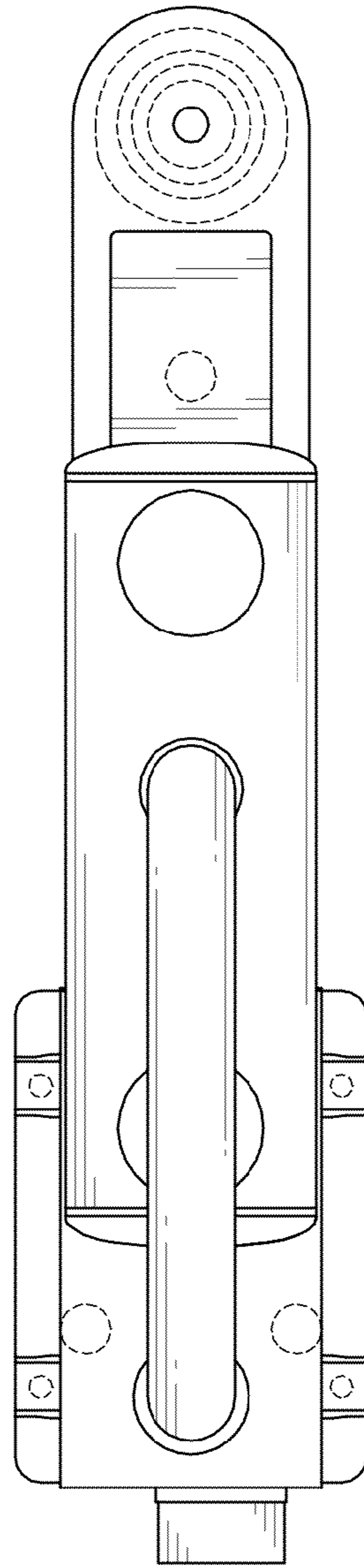


FIG. 7