



US00D711060S

(12) **United States Design Patent**  
**Butler et al.**

(10) **Patent No.:** **US D711,060 S**

(45) **Date of Patent:** **\*\* Aug. 12, 2014**

(54) **SANITARY CONTAINER**

(71) Applicants: **Raymond Thomas Butler**, Auckland (NZ); **Patricia Margaret Butler**, Auckland (NZ); **Paul Francis Zwaan**, Auckland (NZ); **Michael Freeman**, Auckland (NZ)

(72) Inventors: **Raymond Thomas Butler**, Auckland (NZ); **Patricia Margaret Butler**, Auckland (NZ); **Paul Francis Zwaan**, Auckland (NZ); **Michael Freeman**, Auckland (NZ)

(\*\*) Term: **14 Years**

(21) Appl. No.: **29/457,439**

(22) Filed: **Jun. 10, 2013**

**Related U.S. Application Data**

(63) Continuation of application No. 29/434,457, filed on Oct. 12, 2012, now abandoned.

(51) **LOC (10) Cl.** ..... **09-09**

(52) **U.S. Cl.**  
USPC ..... **D34/7**

(58) **Field of Classification Search**  
USPC ..... D34/1-11; 211/13.1, 71.01, 85.19, 211/88.01; 220/908, 908.1, 911, 912, 913, 220/87.1, 477, 479, 480; 206/438, 567; D6/524

See application file for complete search history.

(56) **References Cited**

**U.S. PATENT DOCUMENTS**

D228,059 S \* 8/1973 Woofter ..... D34/1  
4,711,367 A \* 12/1987 Albertson ..... 229/117.12  
D332,679 S \* 1/1993 Hines ..... D34/6  
D332,849 S \* 1/1993 Hines ..... D34/6  
5,395,008 A \* 3/1995 Bemis et al. .... 220/481

D365,185 S \* 12/1995 Reitman ..... D34/1  
D366,743 S \* 1/1996 Davenport ..... D34/7  
5,492,238 A \* 2/1996 Scholl et al. .... 220/263  
D385,445 S \* 10/1997 Arbak et al. .... D6/522  
D388,578 S \* 12/1997 Arbak et al. .... D34/6  
D401,708 S \* 11/1998 Arbak et al. .... D34/1  
D520,703 S \* 5/2006 Nordgren et al. .... D34/1  
D545,521 S \* 6/2007 Titas et al. .... D34/7  
D612,121 S \* 3/2010 Memari ..... D34/1  
D657,519 S \* 4/2012 Kluck ..... D34/1  
D661,447 S \* 6/2012 Kluck ..... D34/1  
D689,255 S \* 9/2013 Sun Ting Kung et al. .... D34/7

\* cited by examiner

*Primary Examiner* — Cynthia Ramirez

(74) *Attorney, Agent, or Firm* — Fitch, Even, Tabin & Flannery LLP

(57) **CLAIM**

We claim the ornamental design for a sanitary container, as shown and described.

**DESCRIPTION**

FIG. 1 is a right hand isometric top view showing the new design;

FIG. 2 is a further right hand isometric top view thereof;

FIG. 3 is a left hand isometric top view thereof;

FIG. 4 is a further left hand isometric top view thereof;

FIG. 5 is a left hand rear perspective view thereof;

FIG. 6 is a right side view thereof;

FIG. 7 is a left side view thereof;

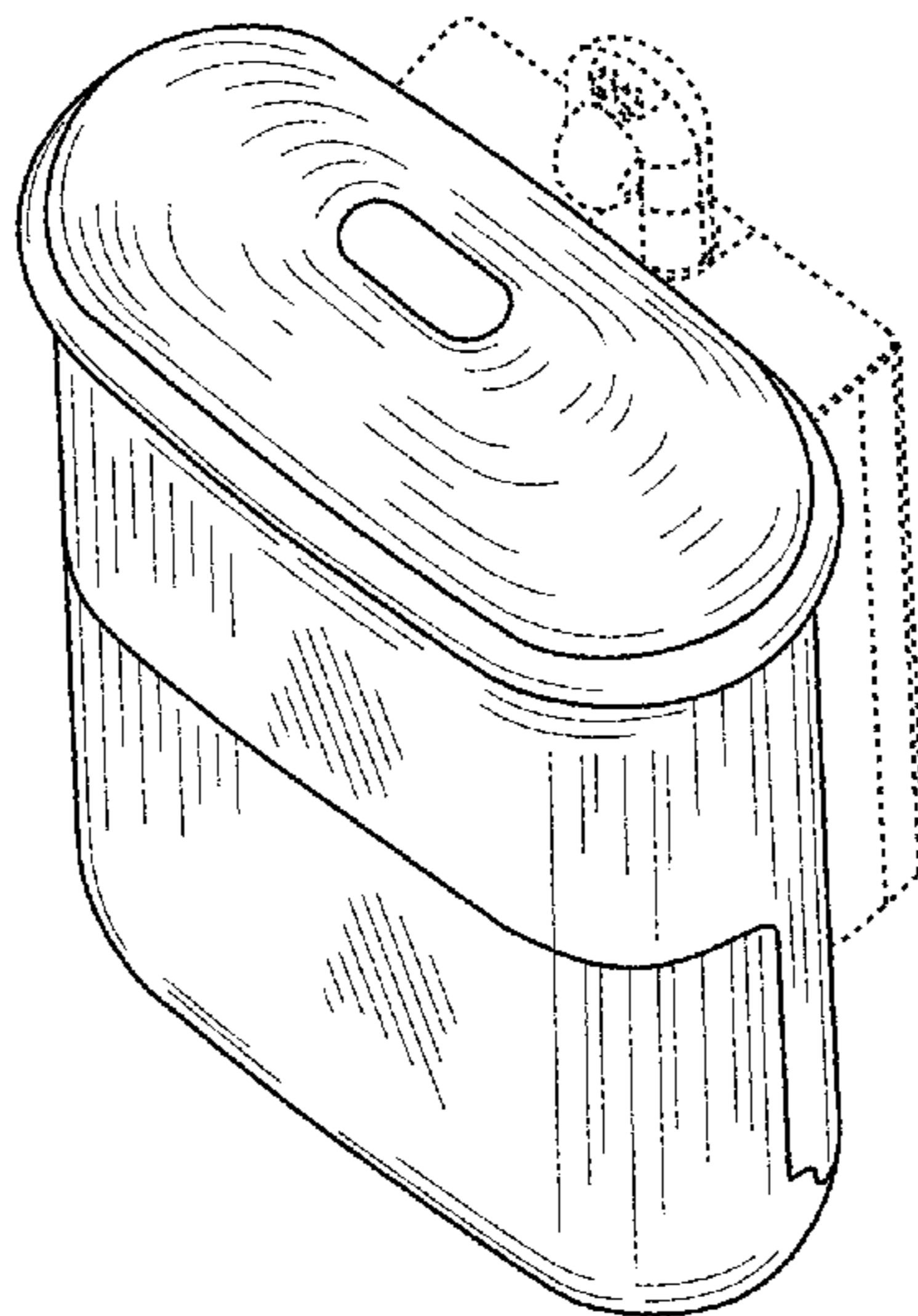
FIG. 8 is a right hand rear perspective view thereof;

FIG. 9 is a top plan view thereof; and,

FIG. 10 is a bottom view thereof.

The broken lines showing a first type of mounting having a sensor (FIGS. 1, 4, 6, and 7), a second form of mounting without a sensor (FIGS. 2 and 3), and a handle (FIGS. 2, 3, 5, 8, and 9) are for the purpose of illustrating environmental structure and/or unclaimed portions of the article, and form no part of the claimed design.

**1 Claim, 5 Drawing Sheets**



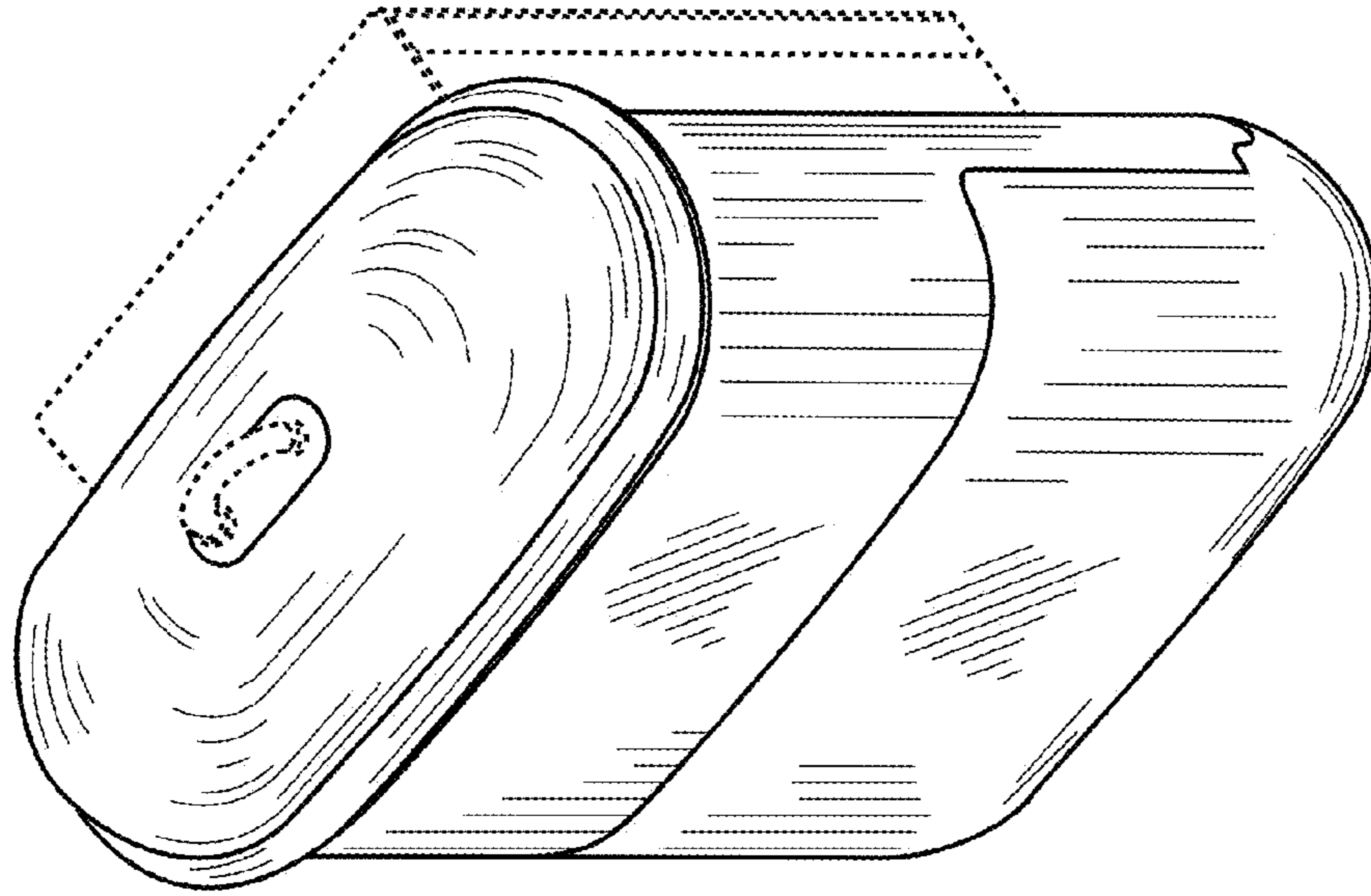


FIG. 2

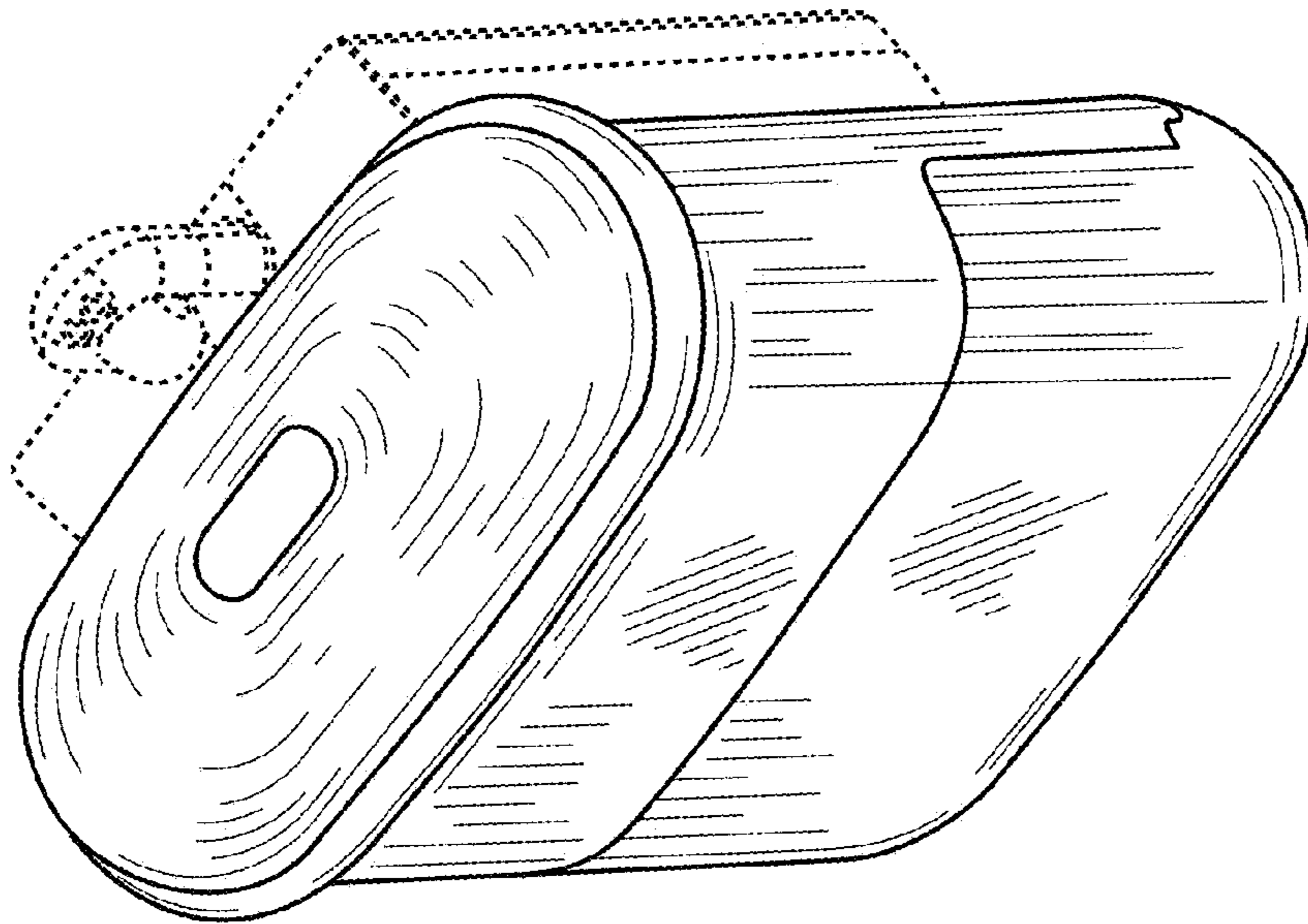


FIG. 1

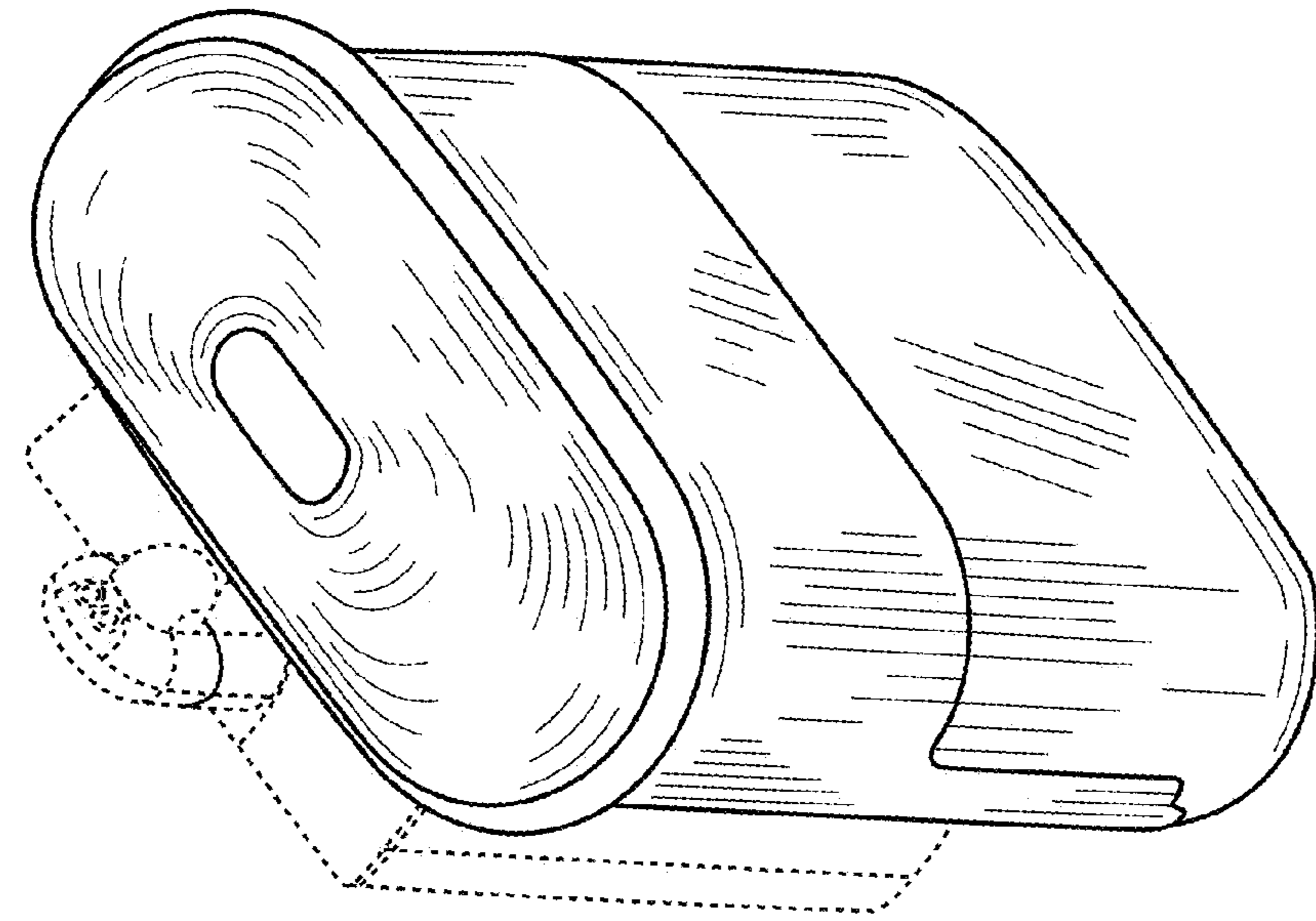


FIG. 4

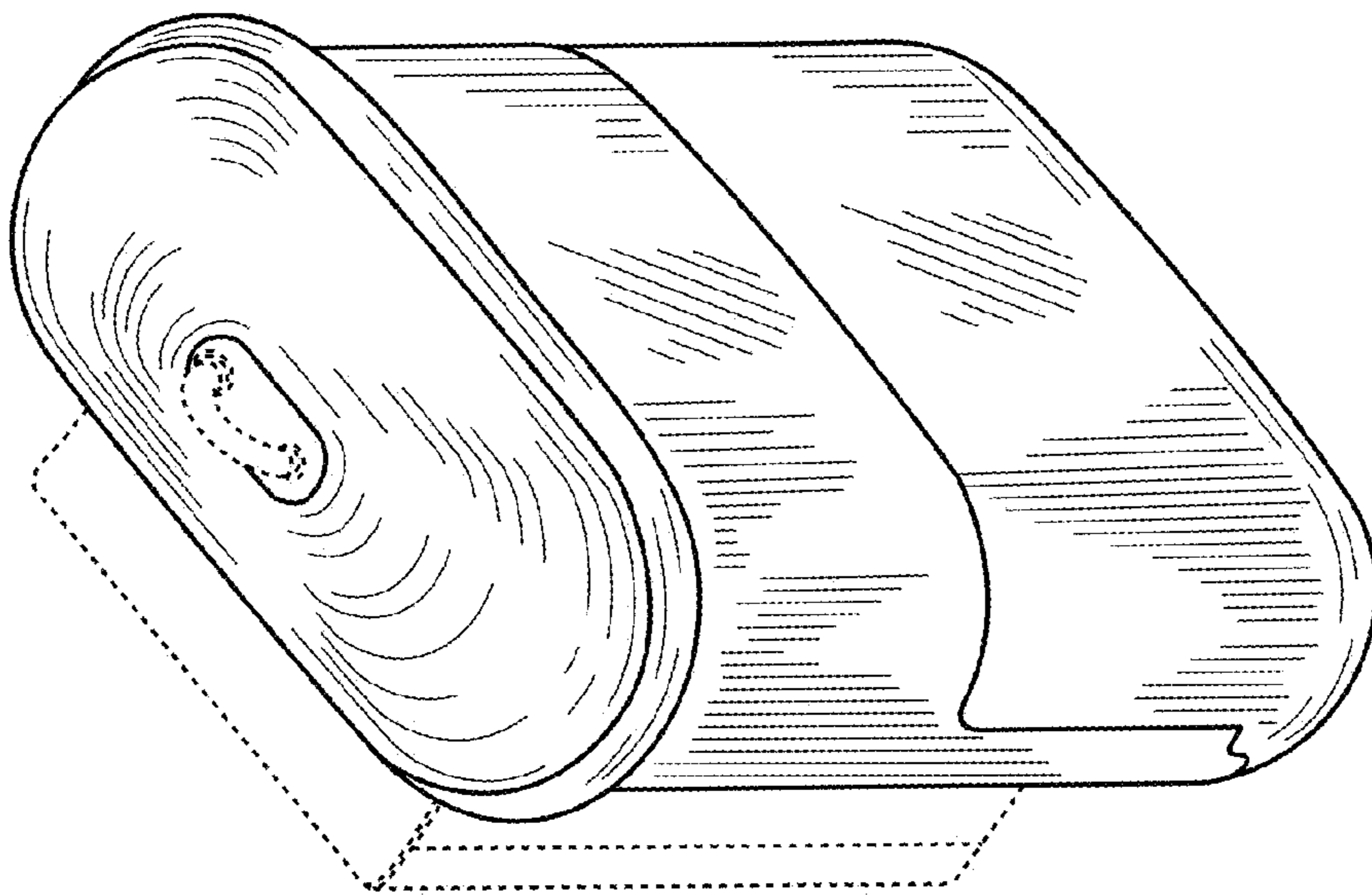


FIG. 3

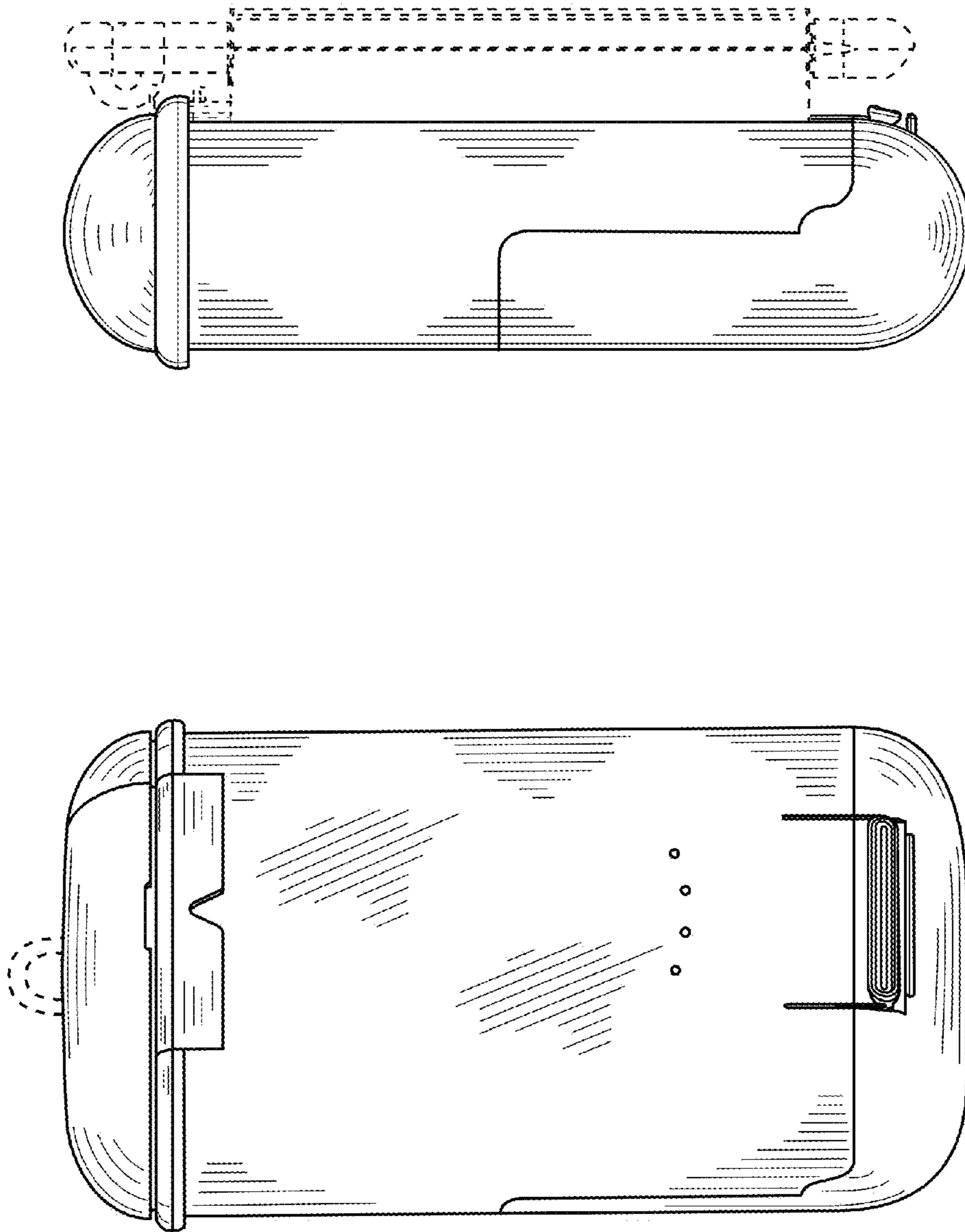


FIG. 6

FIG. 5

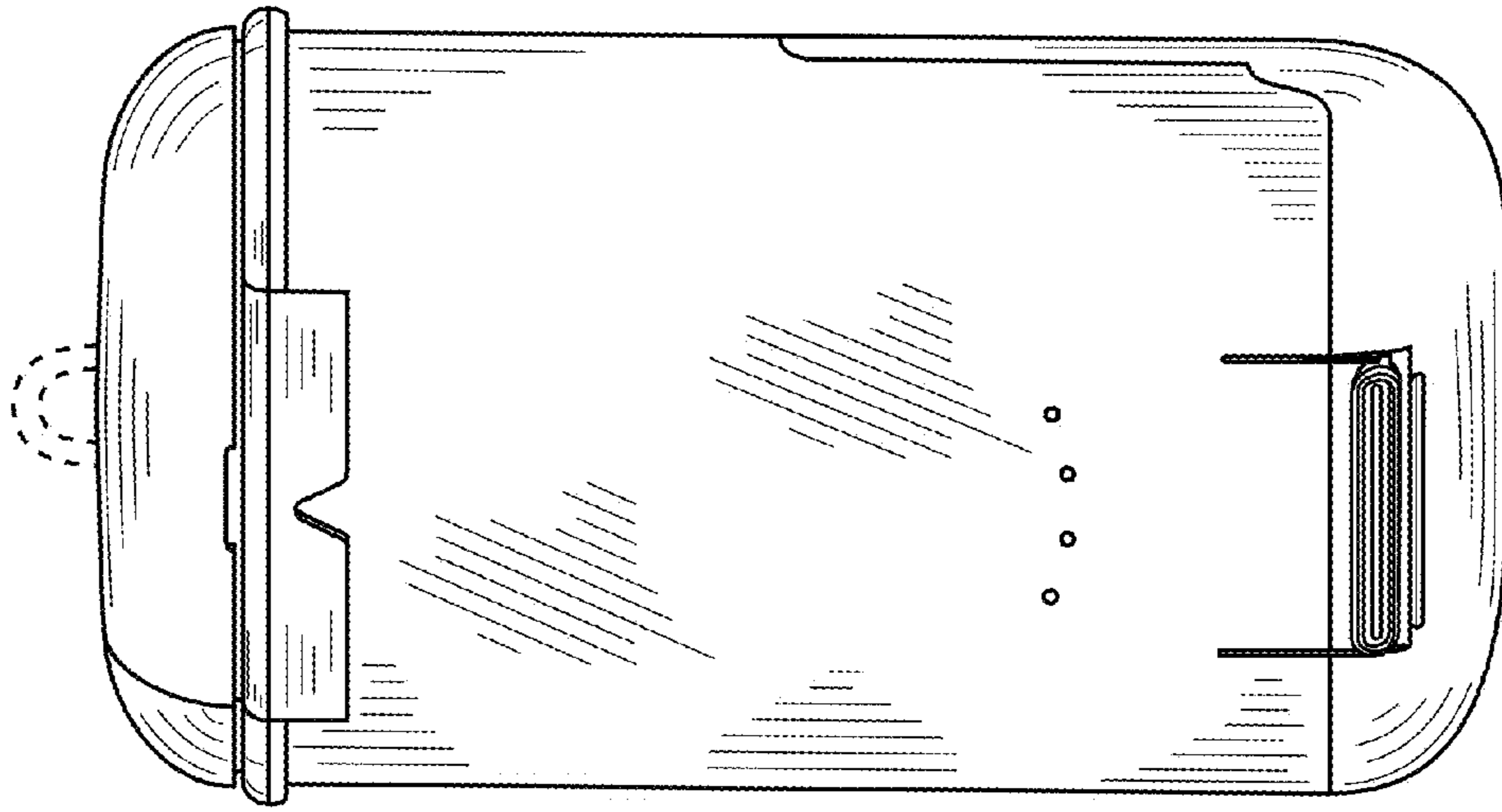


FIG. 8

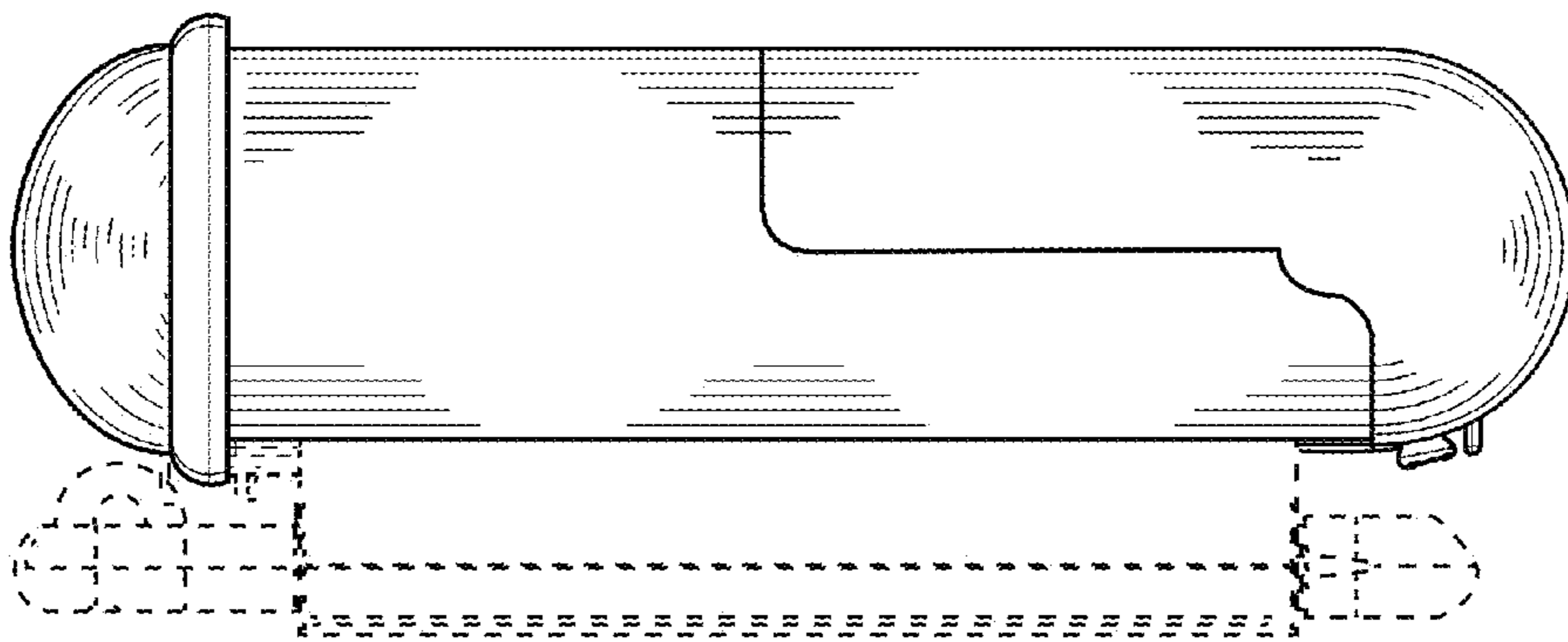


FIG. 7

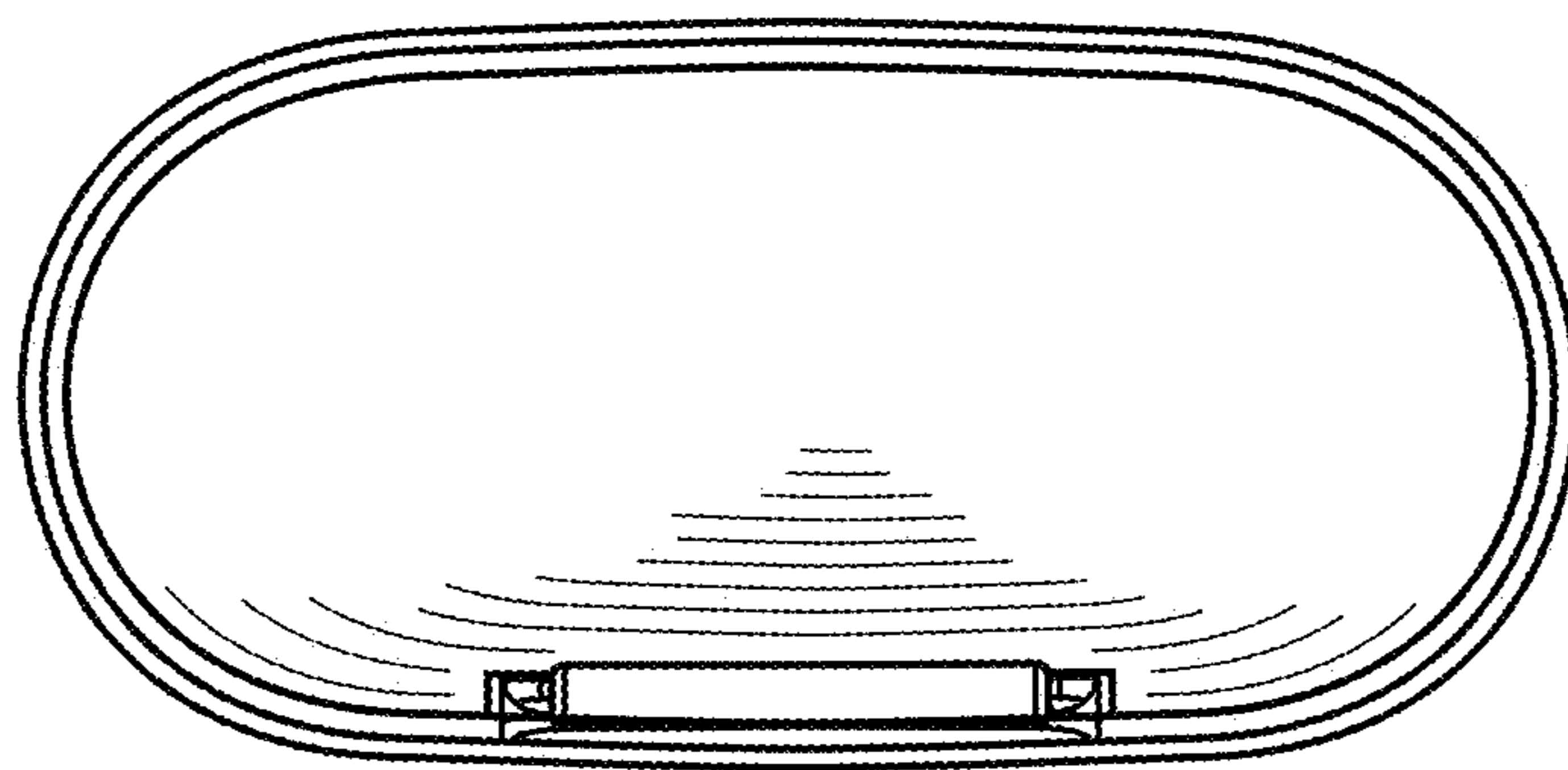


FIG. 10

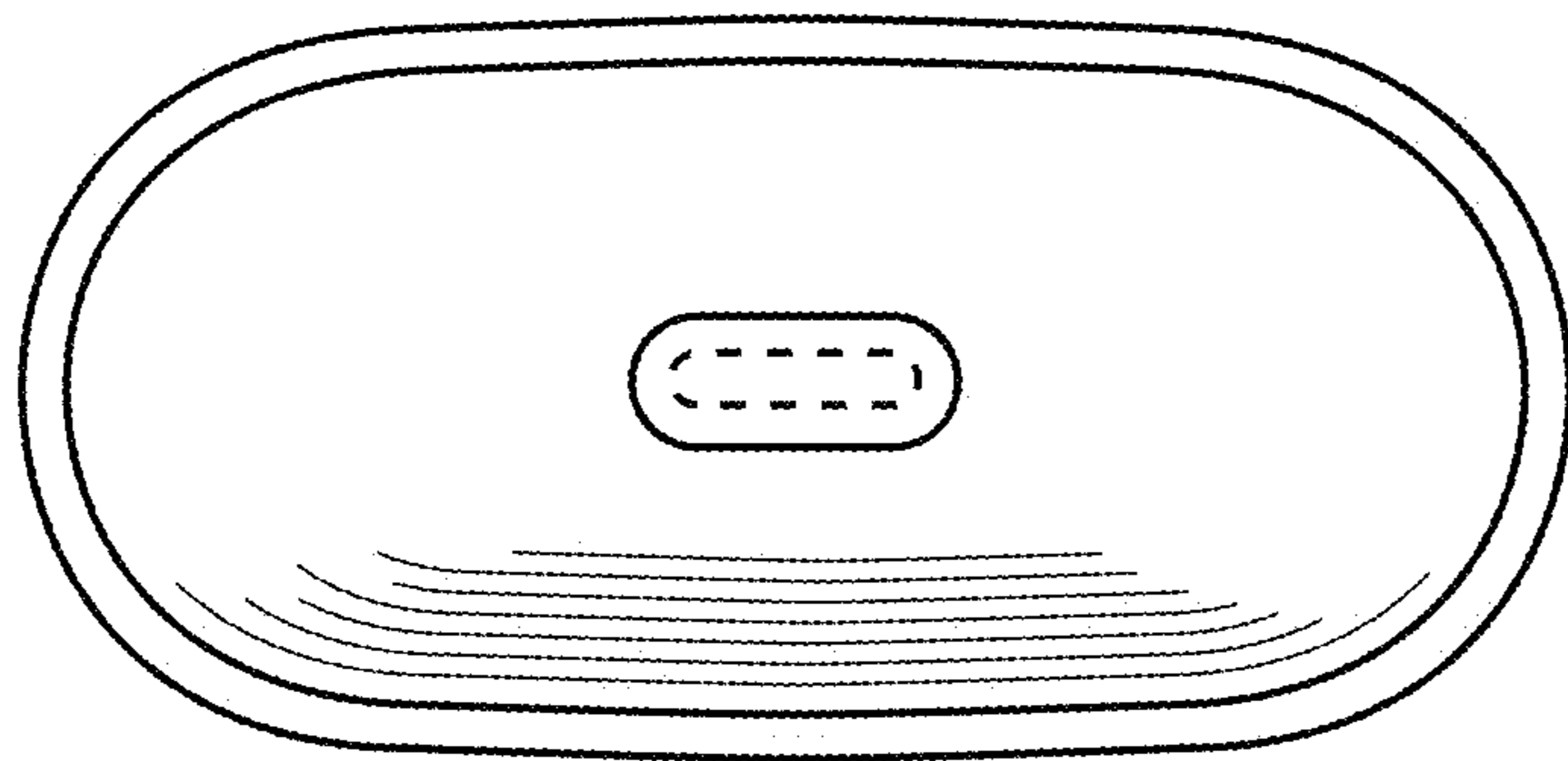


FIG. 9