



US00D711058S

(12) **United States Design Patent**
Crawley et al.

(10) **Patent No.:** **US D711,058 S**

(45) **Date of Patent:** **** Aug. 12, 2014**

(54) **ELECTRICALLY POWERED STEAM
CLEANER**

(56) **References Cited**

U.S. PATENT DOCUMENTS

(71) Applicant: **Black & Decker Inc.**, Newark, DE (US)

D388,562 S	12/1997	Doria	
D458,427 S *	6/2002	Kunkler et al.	D32/45
6,497,525 B1 *	12/2002	Huang	401/138
D591,921 S *	5/2009	Rosenzweig et al.	D32/45
D597,717 S *	8/2009	Rosenzweig et al.	D32/45
D602,218 S *	10/2009	Koenig et al.	D32/40
D634,493 S	3/2011	Breit	
D656,693 S	3/2012	Lavy	
D658,835 S *	5/2012	Houghton	D32/45
D660,533 S *	5/2012	Hill et al.	D32/45
D674,564 S	1/2013	Mangano	
8,458,853 B2	6/2013	Charlton et al.	
8,534,301 B2	9/2013	Nottingham	

(72) Inventors: **Graeme Crawley**, Newcastle-upon-Tyne (GB); **Stephen Houghton**, Newcastle-upon-Tyne (GB)

(73) Assignee: **Black & Decker Inc.**, Newark, DE (US)

(**) Term: **14 Years**

(21) Appl. No.: **29/484,435**

* cited by examiner

(22) Filed: **Mar. 10, 2014**

Primary Examiner — Robin V Webster
(74) *Attorney, Agent, or Firm* — John Yun

Related U.S. Application Data

(62) Division of application No. 29/431,901, filed on Sep. 12, 2012, now abandoned.

(57) **CLAIM**

The ornamental design for an electrically powered steam cleaner, as shown and described.

DESCRIPTION

(30) **Foreign Application Priority Data**

Mar. 23, 2012 (EM) CD001319156-0001

(51) **LOC (10) Cl.** **04-01**

(52) **U.S. Cl.**
USPC **D32/45**

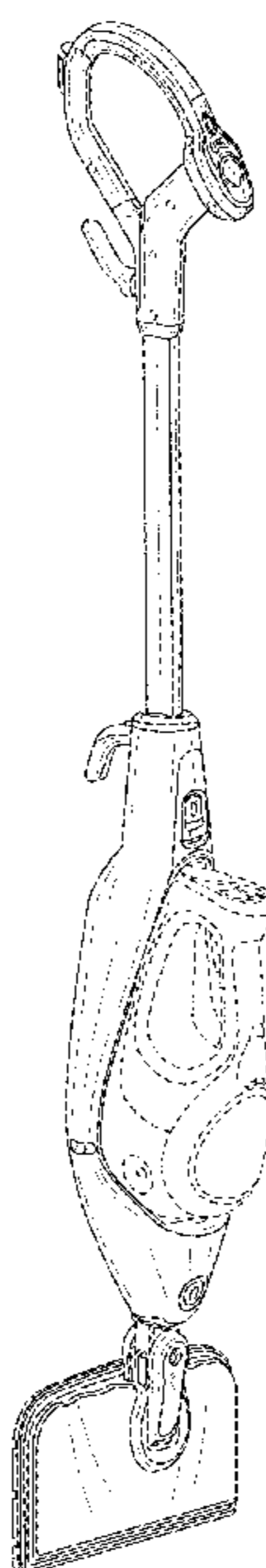
(58) **Field of Classification Search**
USPC D32/40-45, 50, 51; 401/137-140;
15/228

FIG. 1 is a perspective view of an electrically powered steam cleaner showing our new design;
FIG. 2 is a right side view thereof
FIG. 3 is a left side view thereof;
FIG. 4 is a top plan view thereof;
FIG. 5 is a bottom plan view thereof;
FIG. 6 is a rear view thereof; and,
FIG. 7 is a front view thereof.

The broken line showing of a handheld steamer is included for the purpose of illustrating and forms no part of the claimed design.

See application file for complete search history.

1 Claim, 4 Drawing Sheets



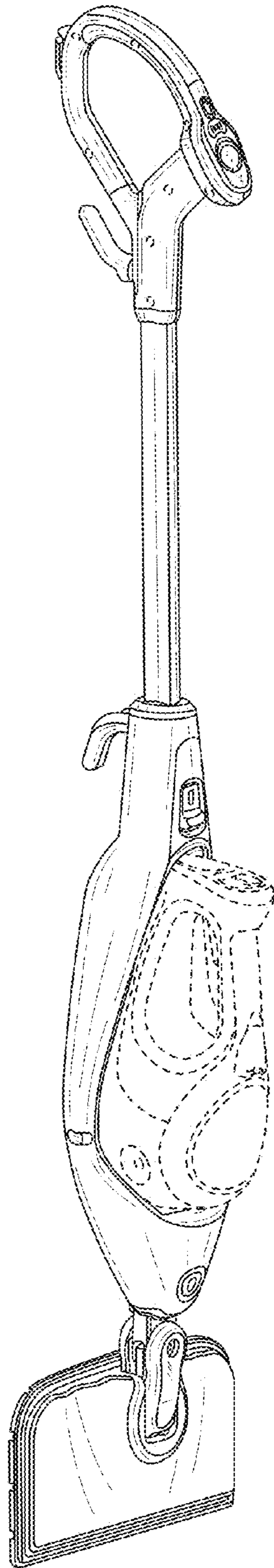


FIG. 1

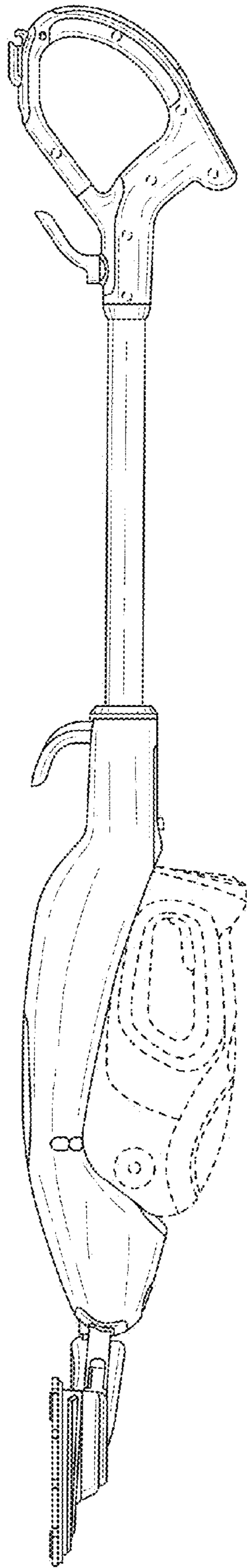


FIG. 2

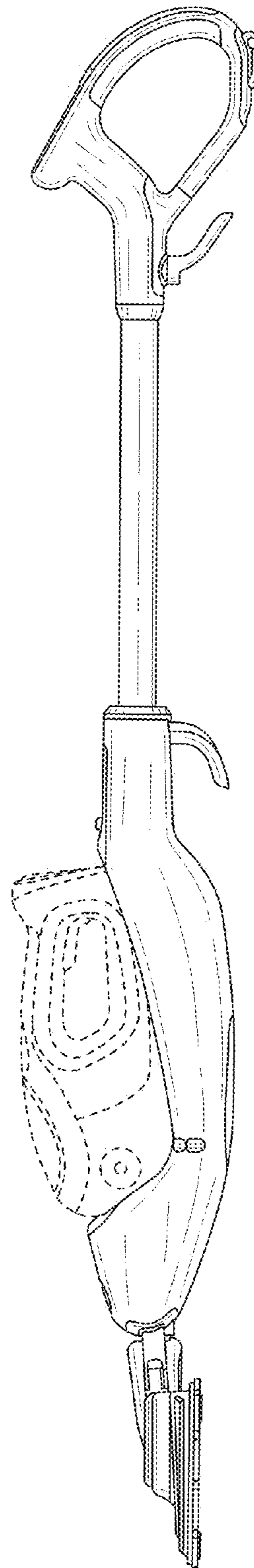


FIG. 3

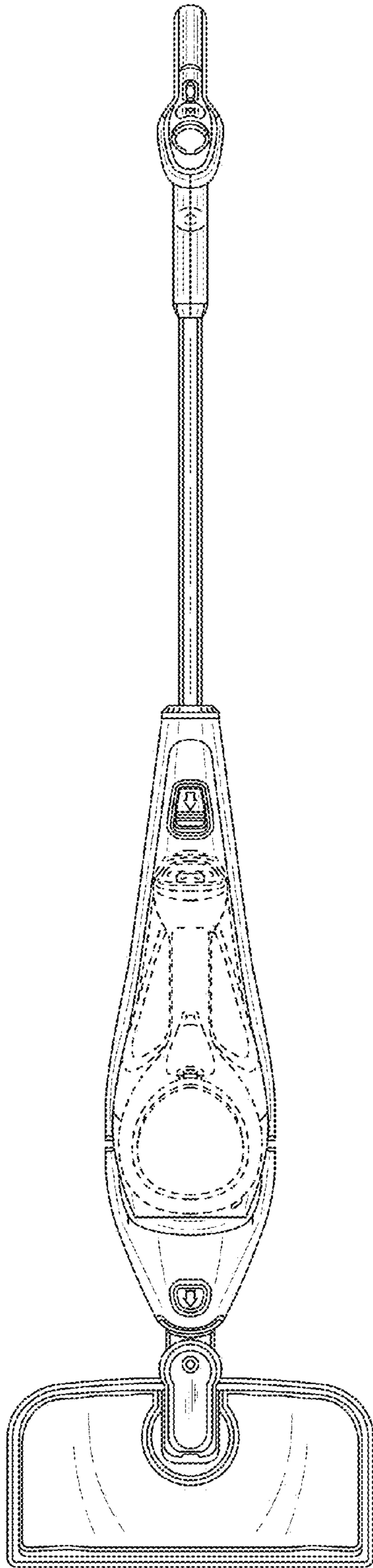


FIG. 4

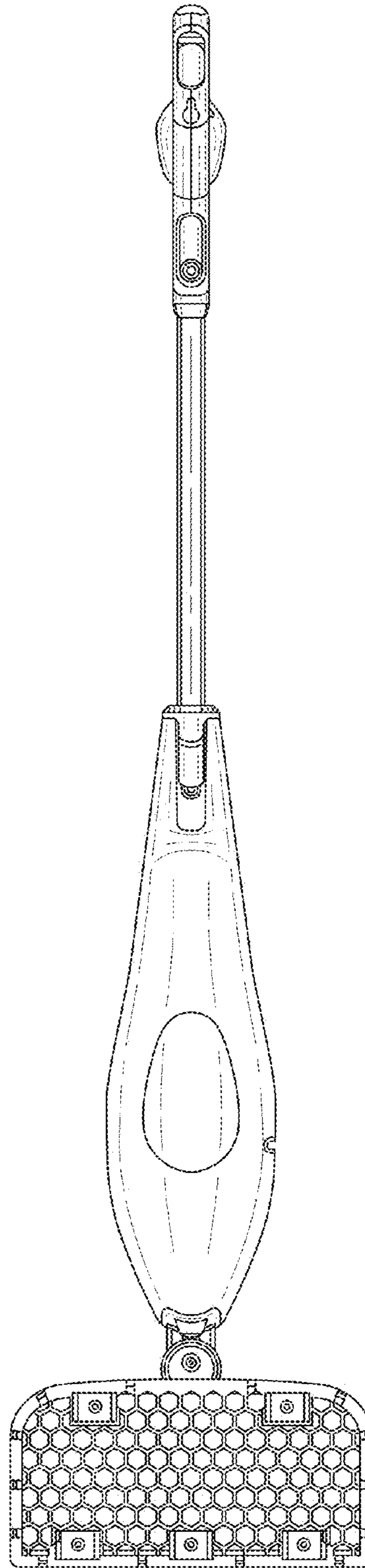


FIG. 5

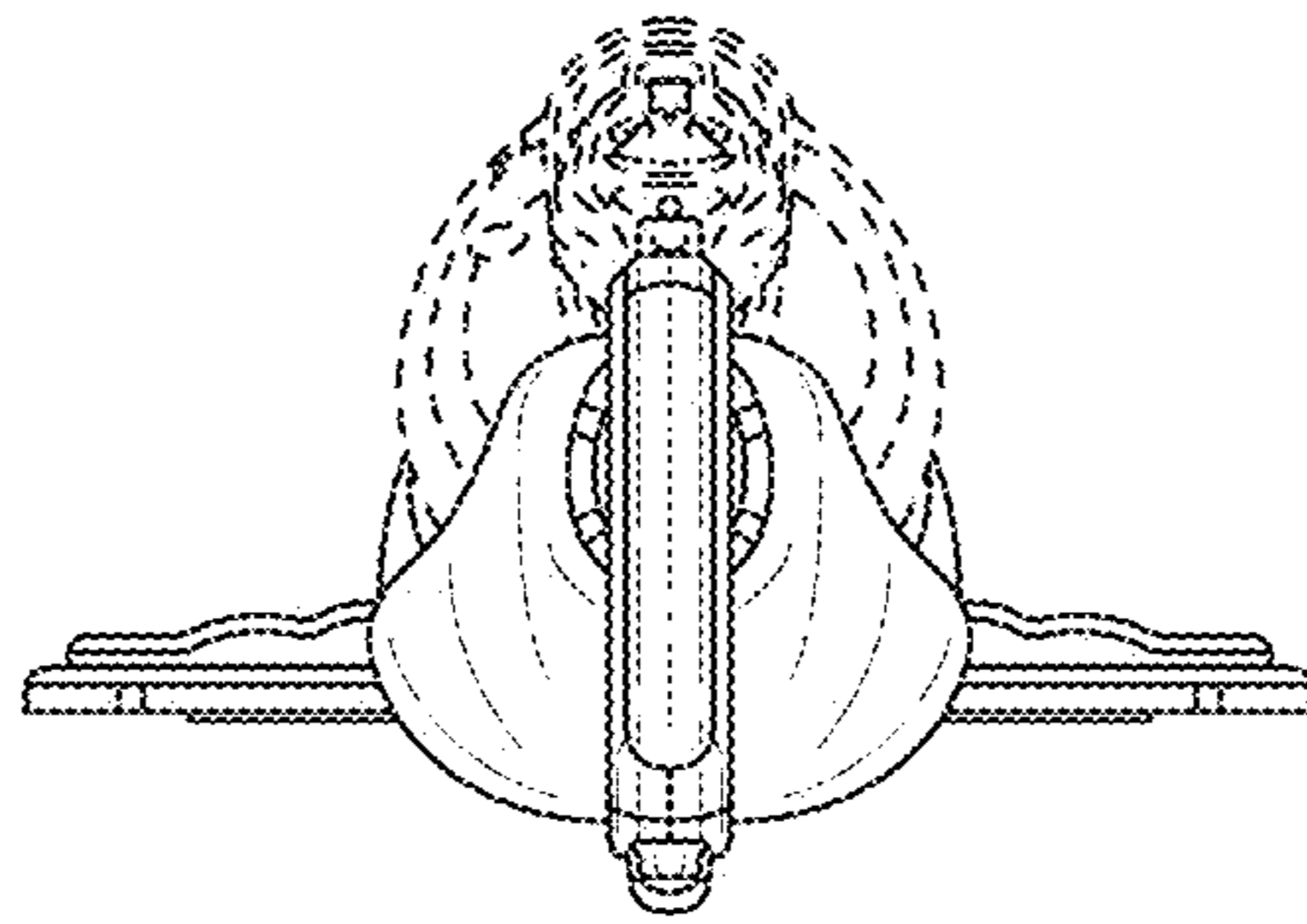


FIG. 6

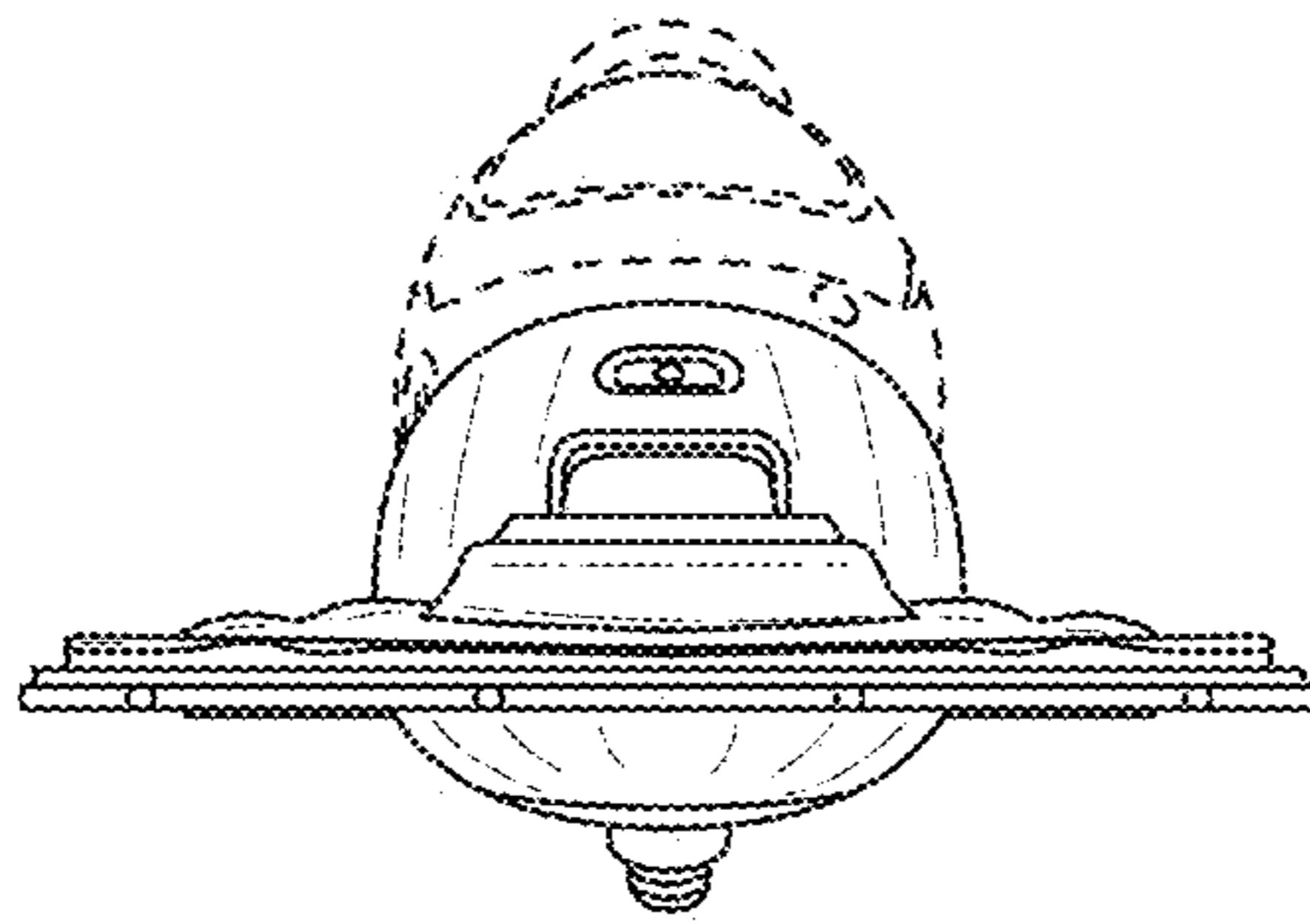


FIG. 7