



US00D711053S

(12) **United States Design Patent**
Long

(10) **Patent No.:** **US D711,053 S**

(45) **Date of Patent:** **** Aug. 12, 2014**

(54) **PET FEEDER**

(71) Applicant: **Lisa Long**, Rockaway Park, NY (US)

(72) Inventor: **Lisa Long**, Rockaway Park, NY (US)

(**) Term: **14 Years**

(21) Appl. No.: **29/476,775**

(22) Filed: **Dec. 17, 2013**

(51) **LOC (10) Cl.** **30-03**

(52) **U.S. Cl.**

USPC **D30/133**; D30/129; D30/121; D30/132

(58) **Field of Classification Search**

USPC D30/133, 121, 128, 130, 132; 119/52.1,
119/55, 61.5, 61.6; D6/480-485; 248/188;
312/204; 108/153.1-157

See application file for complete search history.

(56) **References Cited**

U.S. PATENT DOCUMENTS

782,895	A	*	2/1905	Breeding	99/422
D220,103	S	*	3/1971	Clowe	D23/278
D227,230	S	*	6/1973	Stamper	D9/606
4,044,723	A	*	8/1977	Fitzpatrick	119/61.5
D260,281	S	*	8/1981	Rist	D6/601
D325,068	S	*	3/1992	Gaury	D23/207
D325,069	S	*	3/1992	Gaury	D23/207
D329,961	S	*	10/1992	Sarnoff et al.	D7/539
D334,696	S	*	4/1993	Makris	D8/38
D359,187	S	*	6/1995	Rowan	D6/539
D361,875	S	*	8/1995	Keller et al.	D30/130
D375,818	S	*	11/1996	Fischer	D30/130
D390,907	S	*	2/1998	Aker et al.	D21/816
D400,315	S	*	10/1998	Keller et al.	D30/130
D418,209	S	*	12/1999	Mauk	D23/261
D439,153	S	*	3/2001	Davis	D9/606
D445,661	S	*	7/2001	Chen	D8/99
D455,145	S	*	4/2002	Williams	D14/232
D490,911	S	*	6/2004	Cox	D25/112
D506,556	S	*	6/2005	Giusti	D25/112
D512,539	S	*	12/2005	Brunes et al.	D30/130

D517,881	S	*	3/2006	Kelleghan	D8/38
D520,749	S	*	5/2006	Boutin	D3/304
D520,825	S	*	5/2006	Kelleghan	D8/38
D547,595	S	*	7/2007	Bowen et al.	D7/354
D551,400	S	*	9/2007	Tsengas	D30/133
D577,466	S	*	9/2008	Shamoon	D30/133
D623,360	S	*	9/2010	Man et al.	D30/129
D623,361	S	*	9/2010	Man et al.	D30/129
D641,937	S	*	7/2011	Pitter	D30/133
D659,484	S	*	5/2012	Schwartz et al.	D7/628
D665,541	S	*	8/2012	Shamoon	D30/133
D670,452	S	*	11/2012	Caruso	D30/133
D671,278	S	*	11/2012	Man	D30/129

(Continued)

Primary Examiner — Susan Moon Lee

(74) *Attorney, Agent, or Firm* — Michael J. Striker

(57) **CLAIM**

The ornamental design for a pet feeder, as shown and described.

DESCRIPTION

FIG. 1 is a perspective view of a pet feeder showing my new design;

FIG. 2 is a front elevation view thereof;

FIG. 3 is a rear elevation view thereof;

FIG. 4 is a left side elevation view thereof;

FIG. 5 is a right side elevation view thereof;

FIG. 6 is a top plan view thereof; and

FIG. 7 is a bottom plan view thereof;

FIG. 8 is a perspective view of a second embodiment of the pet feeder in which bowls have been inserted;

FIG. 9 is a front elevation view thereof;

FIG. 10 is a rear elevation view thereof;

FIG. 11 is a left side elevation view thereof;

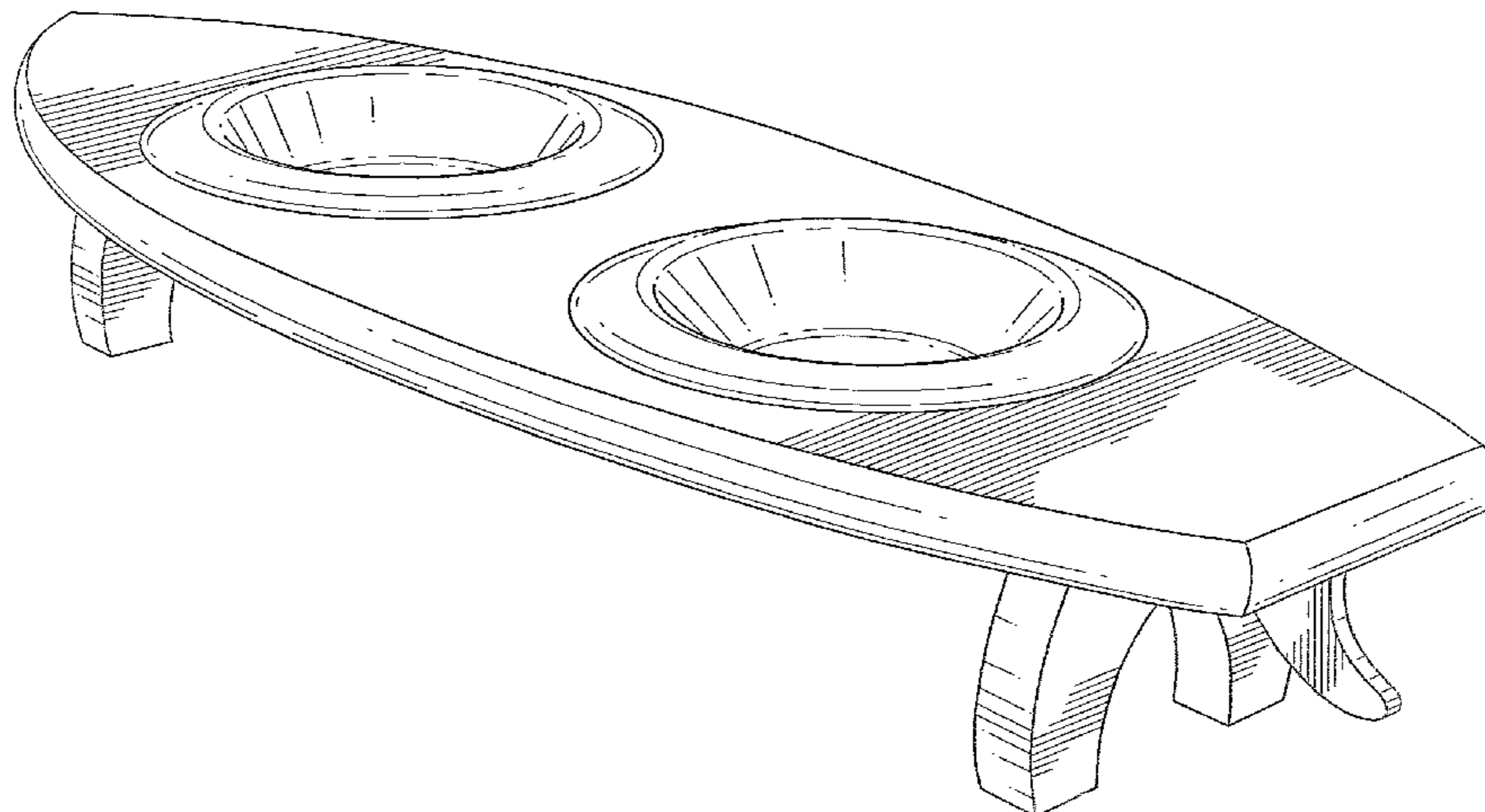
FIG. 12 is a right side elevation view thereof;

FIG. 13 is a top plan view thereof; and,

FIG. 14 is a bottom view thereof.

Broken lines and unshaded portions contained within broken lines are not claimed.

1 Claim, 10 Drawing Sheets



US D711,053 S

Page 2

(56)

References Cited

D682,482 S * 5/2013 Nelson D30/129
D687,192 S * 7/2013 Grist D30/129

U.S. PATENT DOCUMENTS

D679,455 S * 4/2013 Chance et al. D30/133 * cited by examiner

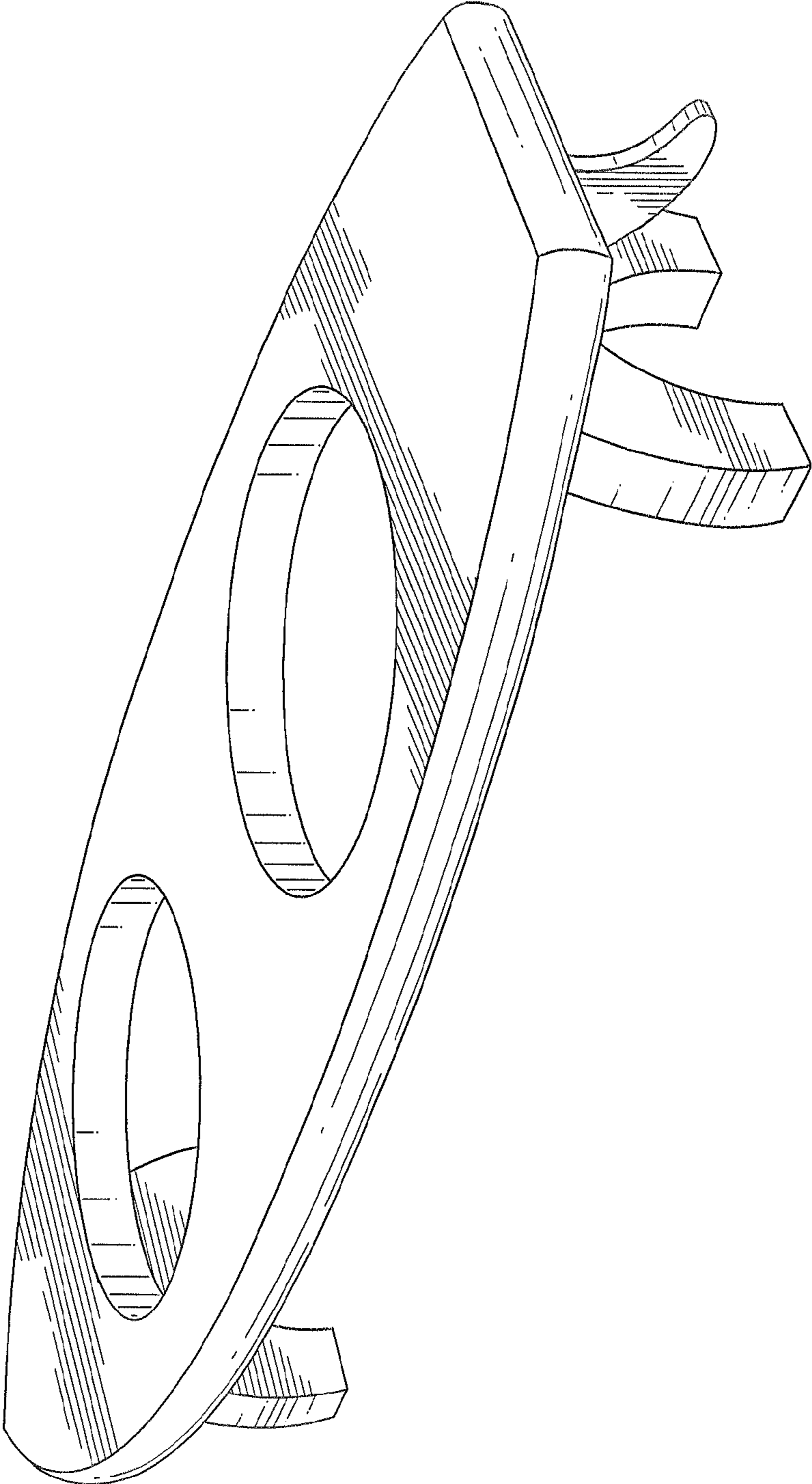


FIG. 1

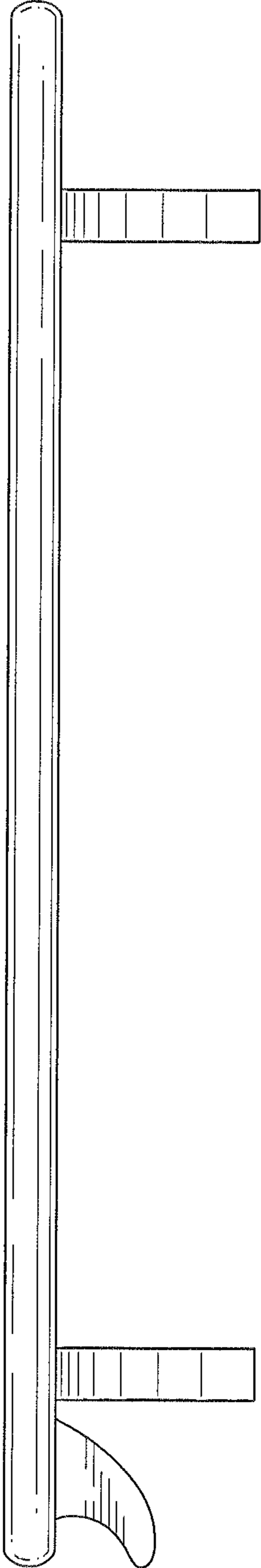


FIG. 2

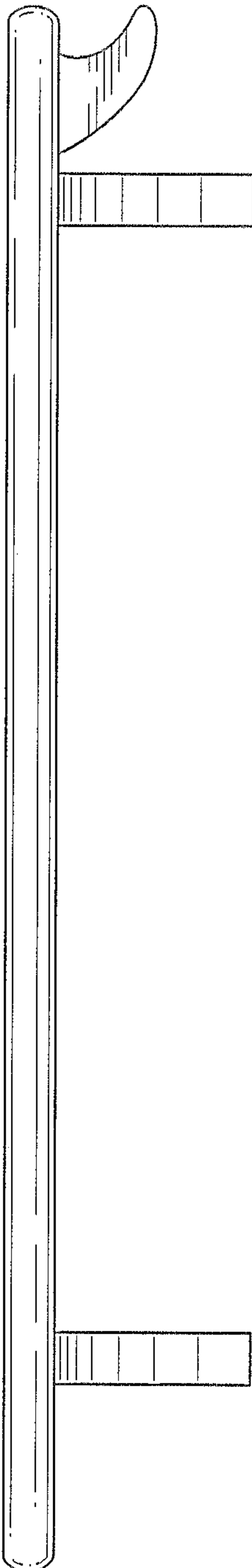


FIG. 3

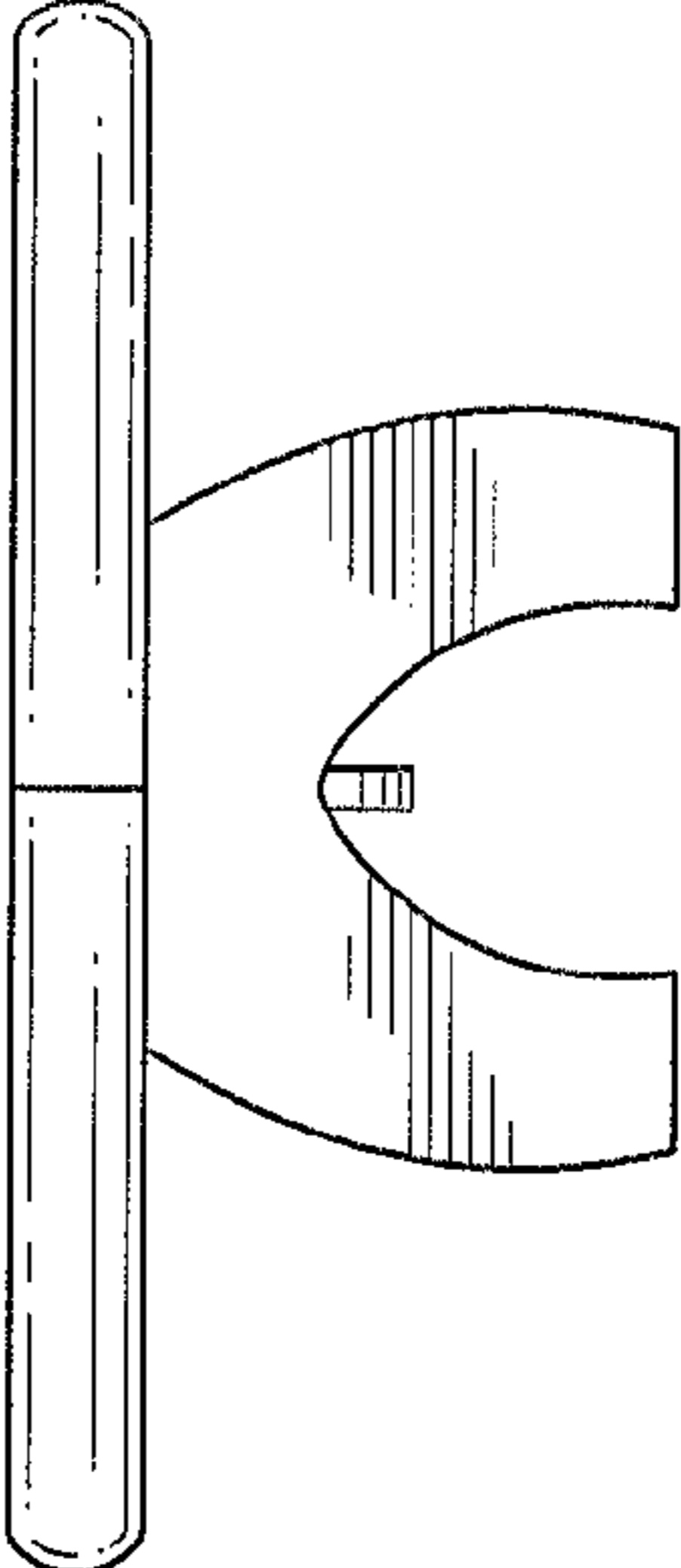


FIG. 5

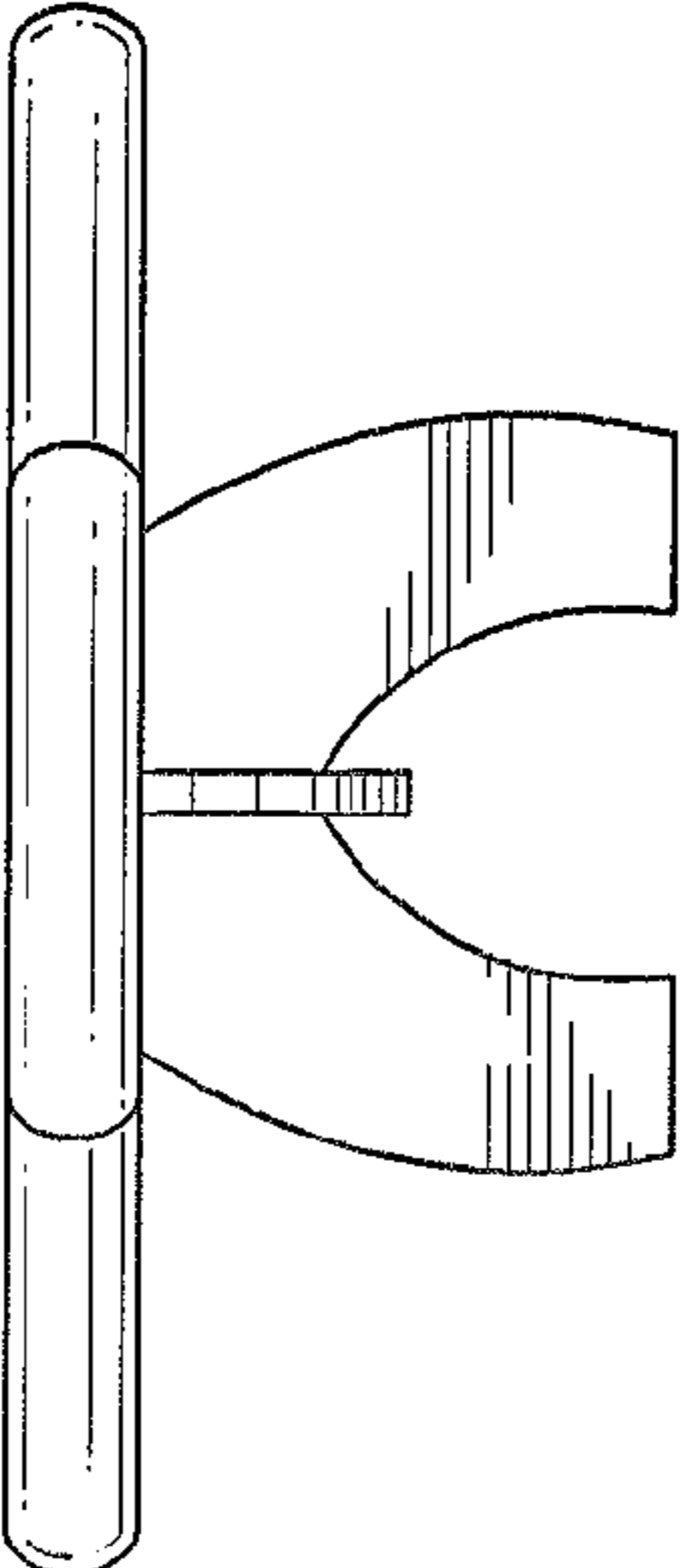


FIG. 4

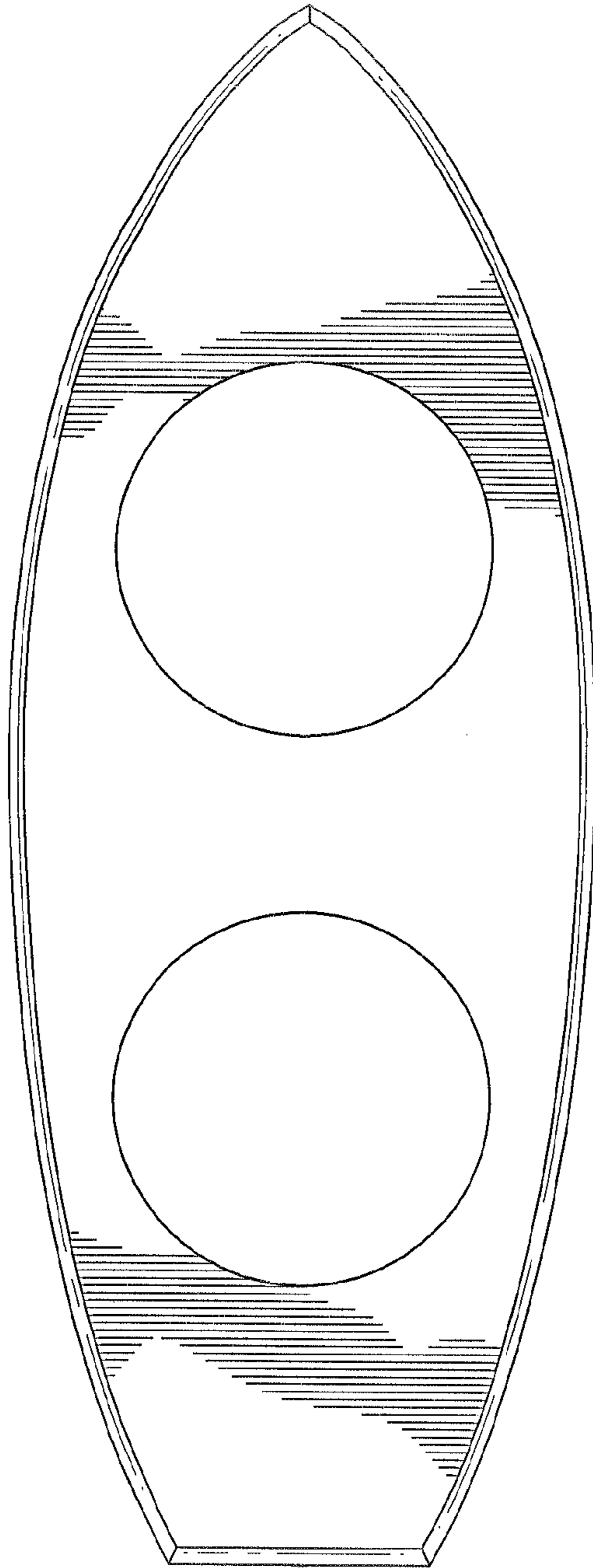


FIG. 6

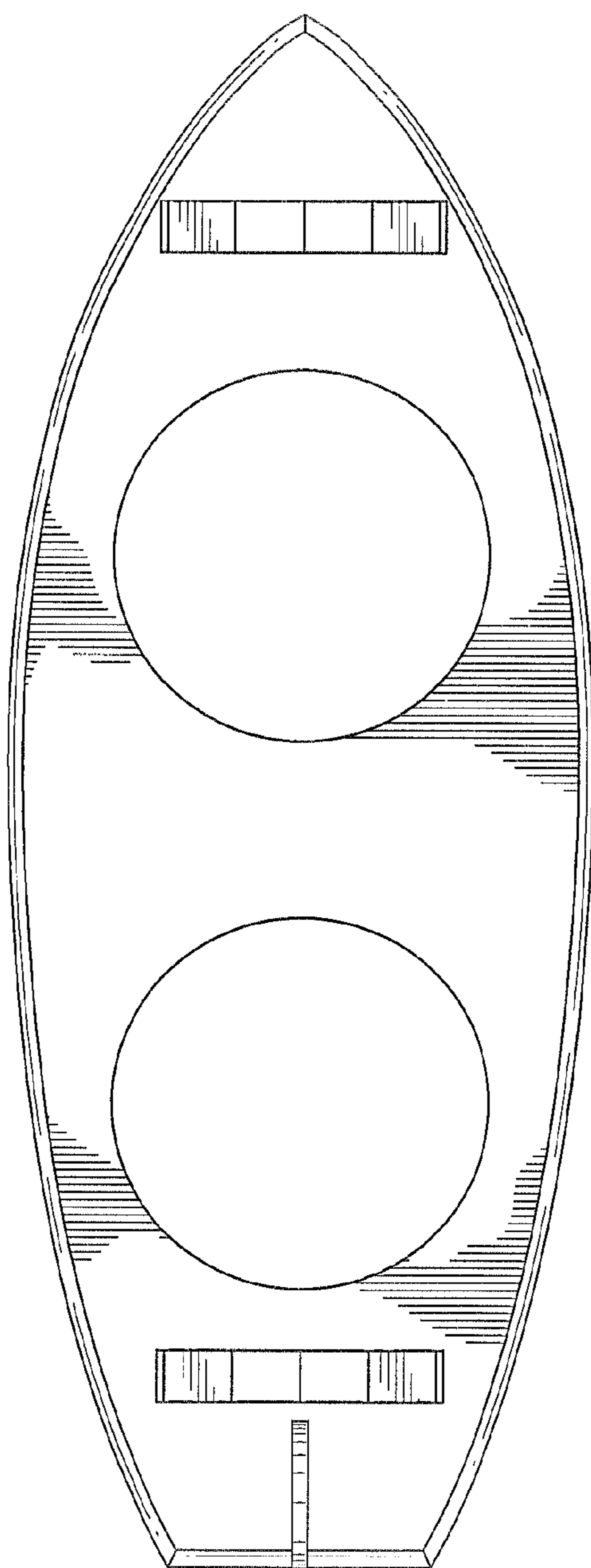


FIG.7

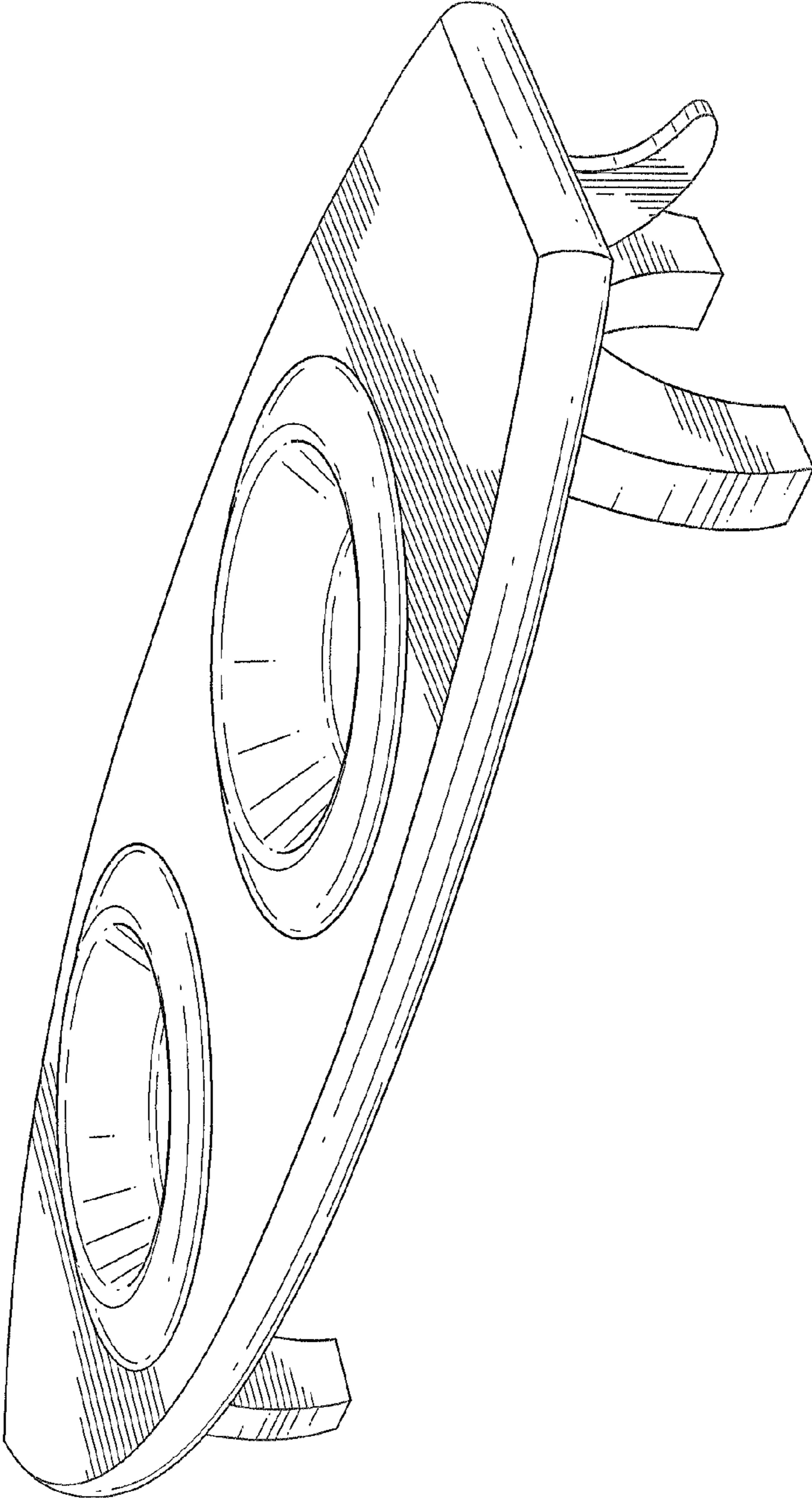


FIG. 8

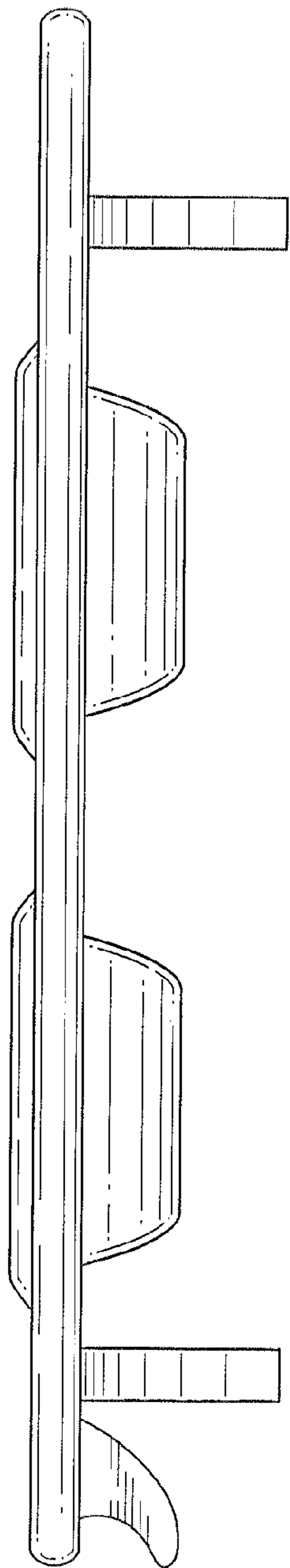


FIG. 9

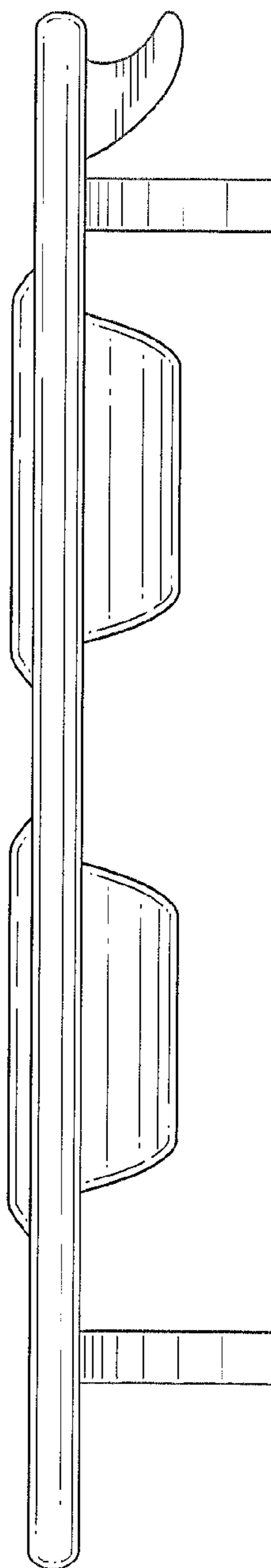


FIG. 10

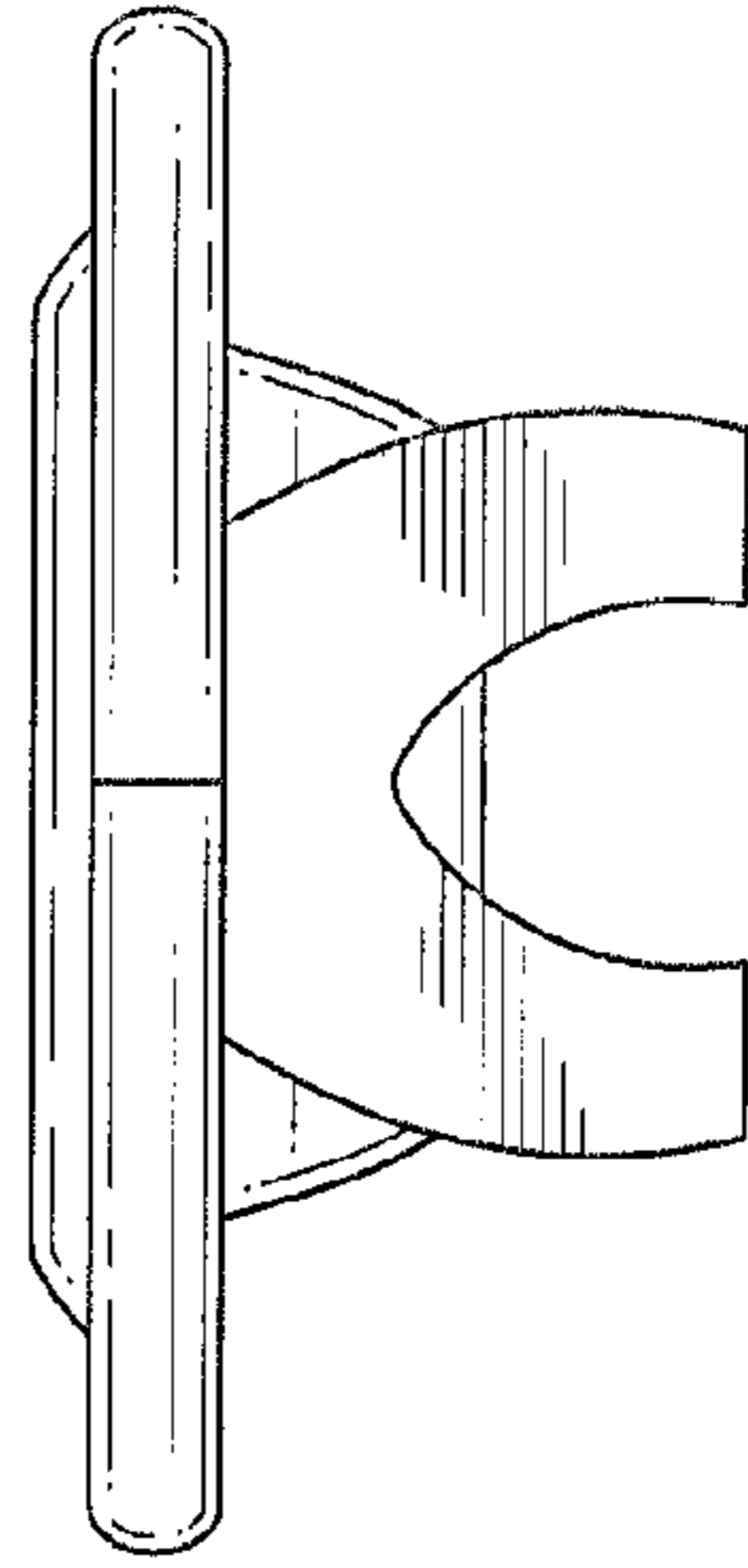


FIG. 12

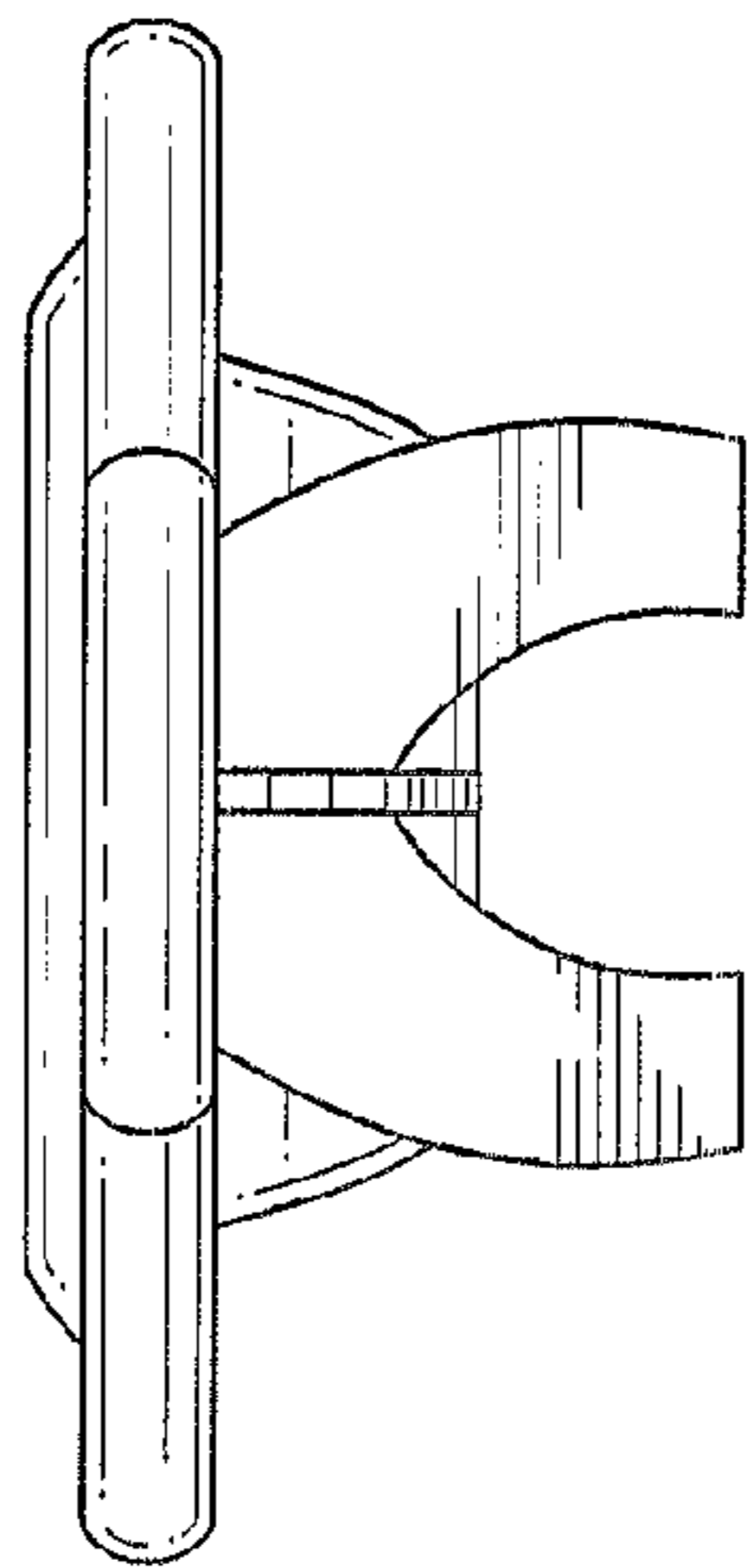


FIG. 11

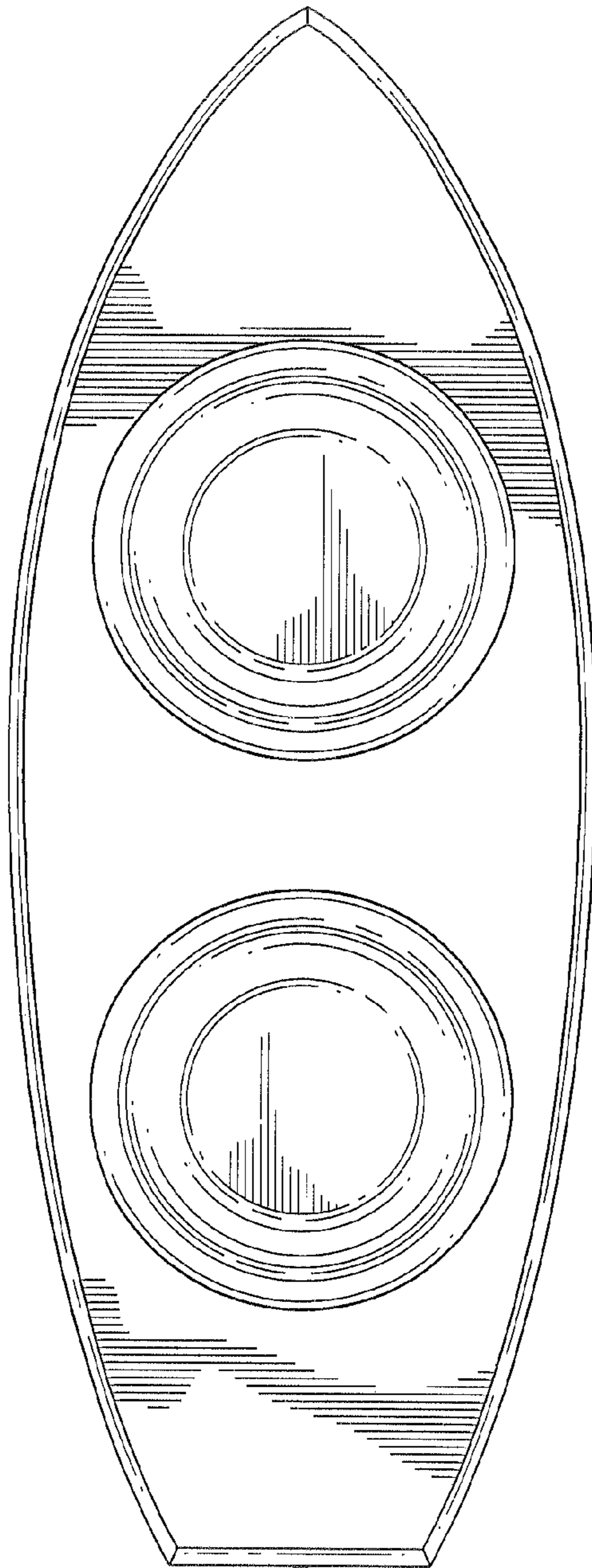


FIG. 13

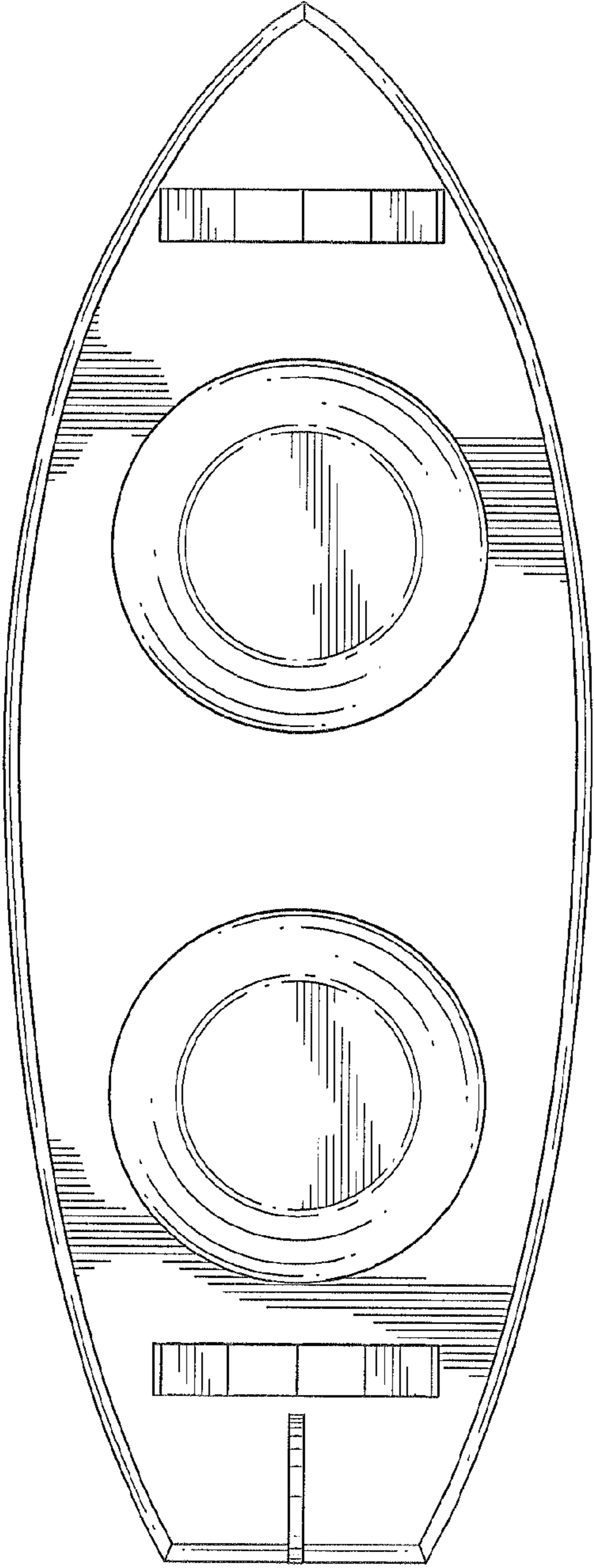


FIG. 14