



US00D711052S

(12) **United States Design Patent**
Lee

(10) **Patent No.:** **US D711,052 S**
(45) **Date of Patent:** **** Aug. 12, 2014**

(54) **SUPPORT FRAME FOR A PET FEEDER**

(56)

References Cited

(71) Applicant: **Chih-Ching Lee**, Taipei (TW)

(72) Inventor: **Chih-Ching Lee**, Taipei (TW)

(**) Term: **14 Years**

(21) Appl. No.: **29/473,458**

(22) Filed: **Nov. 21, 2013**

U.S. PATENT DOCUMENTS

49,841	A	*	9/1865	Young	211/74
D20,134	S	*	9/1890	Alden	D7/600
451,166	A	*	4/1891	Bryant	99/440
1,250,888	A	*	12/1917	Johnson	211/14
1,308,482	A	*	7/1919	Cohn et al.	220/23.2
D69,605	S	*	3/1926	McCartney	D7/600
D75,273	S	*	5/1928	McCartney	D7/600
1,705,236	A	*	3/1929	Buckley	206/217
1,736,122	A	*	11/1929	La Duke	126/390.1
1,781,357	A	*	11/1930	Wolcott	206/201
D96,450	S	*	8/1935	Daum	D7/505
D96,740	S	*	9/1935	Gerth	D7/549
2,029,535	A	*	2/1936	Langel	294/160
2,061,285	A	*	11/1936	McCormick	99/448
D115,619	S	*	7/1939	Goodwin	D7/704
D129,633	S	*	9/1941	Bowers	D7/600
2,320,828	A	*	6/1943	Murphy	211/88.01
D149,317	S	*	4/1948	Sonn	D7/553.7
D155,753	S	*	10/1949	Warner	D7/555
D157,803	S	*	3/1950	Ulmer	D7/357
D166,410	S	*	4/1952	Press	D7/364
D170,917	S	*	11/1953	Gruen	D7/501

Related U.S. Application Data

(63) Continuation of application No. 13/517,885, filed on Jun. 14, 2012.

(51) **LOC (10) Cl.** **30-03**

(52) **U.S. Cl.**

USPC **D30/129**; D30/133; D30/121

(58) **Field of Classification Search**

USPC D30/121, 122, 129-133; 119/61.5, 119/51.01, 61.56, 51.03, 59, 62, 63, 51.5, 119/57.8, 74, 61.54, 61.55, 712, 174, 215, 119/61.57, 61.4; 604/61-63; 221/270, 268; D8/1; 220/23.87, 630, 737, 743, 9.4, 220/495.01, 574, 212, 255, 23.83, 573.4, 220/574.3; D23/213, 214, 233; 47/79, 48.5, 47/40.5, 44, 47, 39, 45; 239/280, 530, 239/532, 569, 556; D7/700, 398; 141/331, 141/345, 333, 334, 337, 391; 138/155; D11/143, 144, 152; 222/400.7; 137/322; 473/560; 273/129 R; 294/54.5, 55, 1.4; 248/407, 408, 423, 248/295.11, 297.21, 297.31

See application file for complete search history.

(Continued)

Primary Examiner — Susan Moon Lee

(57)

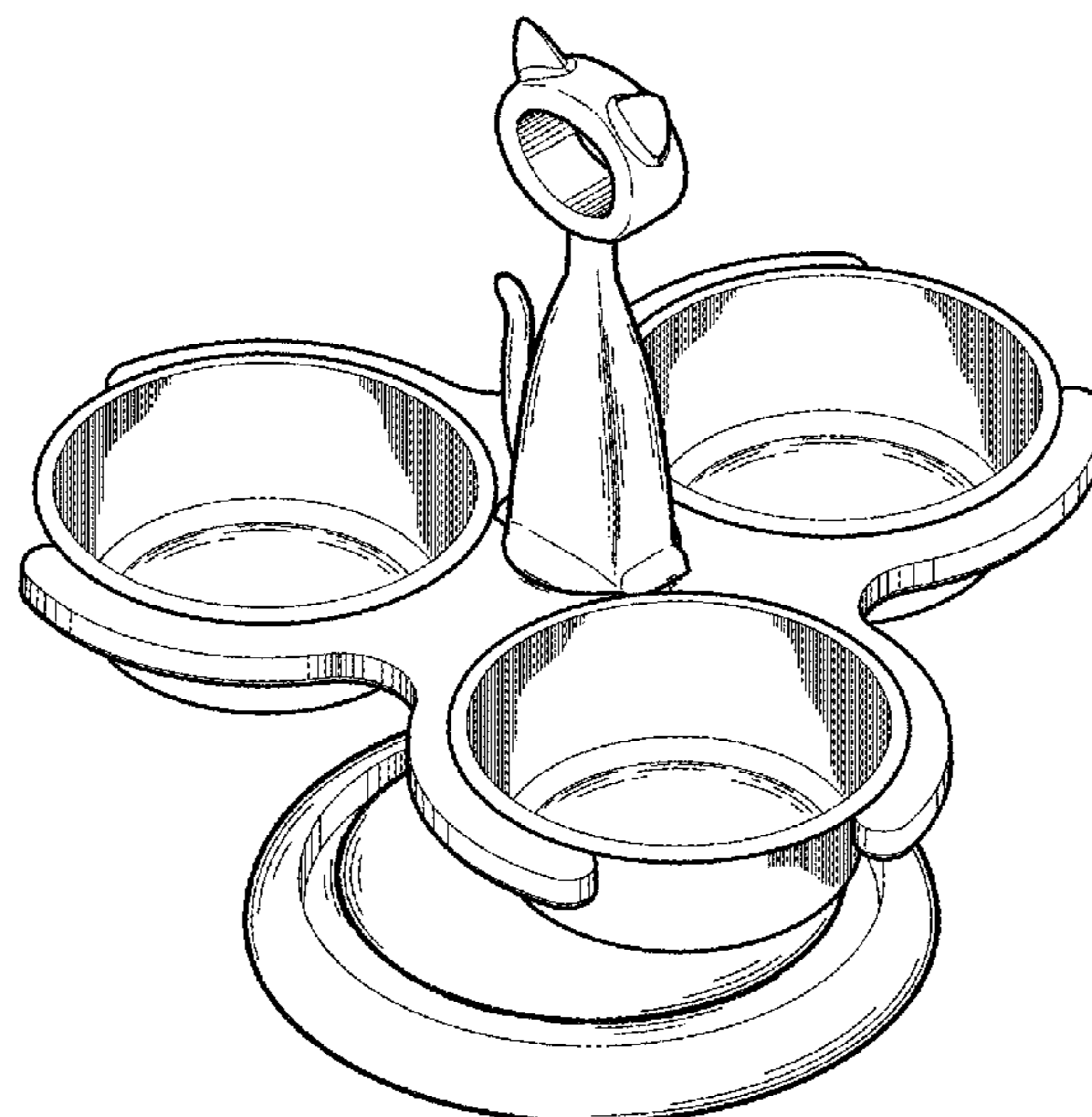
CLAIM

The ornamental design for a support frame for a pet feeder, as shown and described.

DESCRIPTION

FIG. 1 is a perspective view of a support frame for a pet feeder showing my new design;
FIG. 2 is a front view of the design shown in FIG. 1;
FIG. 3 is a rear view of the design shown in FIG. 1;
FIG. 4 is a left side view of the design shown in FIG. 1;
FIG. 5 is a right side view of the design shown in FIG. 1;
FIG. 6 is a top view of the design shown in FIG. 1; and
FIG. 7 is a bottom view of the design shown in FIG. 1.

1 Claim, 7 Drawing Sheets



(56)

References Cited

U.S. PATENT DOCUMENTS

D183,434	S	*	8/1958	Warren	D7/600
D186,415	S	*	10/1959	Ikeda	D7/704
D191,837	S	*	11/1961	Swett	D7/600
D193,308	S	*	7/1962	Jackson	D7/501
D194,325	S	*	1/1963	Swett	D7/505
D195,347	S	*	6/1963	Eicholtz	D7/600
D198,537	S	*	6/1964	Christoffersen	D7/704
D206,945	S	*	2/1967	Hale	D7/600
D208,648	S	*	9/1967	Warner	D7/611
3,339,814	A	*	9/1967	Carbine	294/160
D212,161	S	*	9/1968	Robert	D30/133
D214,333	S	*	6/1969	Swett	D7/600
D214,439	S	*	6/1969	Wormser	D6/335
D216,145	S	*	11/1969	Swett et al.	D7/600
D221,795	S	*	9/1971	Jenks	D7/402
3,661,121	A	*	5/1972	Zielin	119/61.57
D232,295	S	*	8/1974	Vujnovic	D7/600
3,830,417	A	*	8/1974	Montesi	294/143
D234,180	S	*	1/1975	Dart et al.	D7/584
D236,412	S	*	8/1975	Koretz et al.	D7/600
3,913,778	A	*	10/1975	Oglesbee	220/23.83
D244,415	S	*	5/1977	Daenen	D7/584
D246,085	S	*	10/1977	Nicholas	D7/600
D256,310	S	*	8/1980	Daenen	D7/584
4,256,175	A	*	3/1981	Strickland	165/67
D261,465	S	*	10/1981	Minchew	D7/555
4,399,772	A	*	8/1983	Salinas	119/51.5
D272,958	S	*	3/1984	Valencia	D99/25
D288,053	S	*	2/1987	Maza et al.	D7/704
D302,756	S	*	8/1989	Trine	D30/133
D314,731	S	*	2/1991	Ryason et al.	D11/148
5,000,124	A	*	3/1991	Bergen	119/63
D330,486	S	*	10/1992	DeCoster	D7/600
D346,093	S	*	4/1994	Holson	D7/600
D347,969	S	*	6/1994	Cousins et al.	D7/548
D352,424	S	*	11/1994	Asner	D7/600
D353,083	S	*	12/1994	Simon	D3/316
5,467,733	A	*	11/1995	Messina	119/464
5,467,738	A	*	11/1995	Cass	119/61.53
5,501,176	A	*	3/1996	Tully	119/61.57
D372,842	S	*	8/1996	Cleary et al.	D7/600
D375,819	S	*	11/1996	Benson	D30/133
D381,554	S	*	7/1997	Tichenor	D7/357
D383,252	S	*	9/1997	Pearce	D30/119
D383,877	S	*	9/1997	Doornbos	D30/119
D385,065	S	*	10/1997	Krizek	D30/118
D385,066	S	*	10/1997	Doornbos	D30/119
5,738,042	A	*	4/1998	King	119/464
5,743,212	A	*	4/1998	Forjohn	119/69.5
D400,402	S	*	11/1998	Petkovich, Jr.	D7/549
5,832,872	A	*	11/1998	Pearce	119/477
5,855,184	A	*	1/1999	Eichler et al.	119/51.5
5,881,671	A	*	3/1999	Riedl	119/61.53
D407,952	S	*	4/1999	Kendrick	D7/620
D416,761	S	*	11/1999	Miller	D7/600
D418,719	S	*	1/2000	Lillelund et al.	D7/600
D419,385	S	*	1/2000	Send, Jr.	D7/601
D422,843	S	*	4/2000	Rashid	D7/555
D424,758	S	*	5/2000	Akopdjanov	D30/129
6,167,840	B1	*	1/2001	White et al.	119/61.53
6,311,640	B1	*	11/2001	Mercado	119/51.01
D453,094	S	*	1/2002	Maggard et al.	D7/584
6,681,719	B1	*	1/2004	Warner	119/61.56
D489,587	S	*	5/2004	Herzog	D7/704
D495,880	S	*	9/2004	Warren, III	D3/313
D497,525	S	*	10/2004	Vlahakis	D7/705
6,848,392	B1	*	2/2005	Kreutzer, Jr.	119/61.3
D502,406	S	*	3/2005	Eddings	D9/752
6,860,229	B1	*	3/2005	Craft	119/61.5
D506,638	S	*	6/2005	Claypool	D7/357
6,901,880	B2	*	6/2005	Hammer	119/61.57
D507,456	S	*	7/2005	Hoekstra et al.	D7/505
D526,170	S	*	8/2006	Gugni	D7/706
7,219,623	B2	*	5/2007	Flowers et al.	119/69.5
D545,629	S	*	7/2007	Mellen et al.	D7/543
7,261,264	B2	*	8/2007	Moran	248/222.11
7,318,391	B2	*	1/2008	Brillon	119/61.57
D564,138	S	*	3/2008	Dunn et al.	D30/129
D565,254	S	*	3/2008	Modi et al.	D30/133
D568,004	S	*	4/2008	Tiemann	D30/133
D569,678	S	*	5/2008	Lion et al.	D7/357
D575,097	S	*	8/2008	Courington et al.	D7/357
D579,661	S	*	11/2008	Sawdey	D3/311
D580,109	S	*	11/2008	Rutherford et al.	D30/133
D582,727	S	*	12/2008	Barker	D7/573
D584,967	S	*	1/2009	Shamoon	D10/46.2
D591,552	S	*	5/2009	Courington et al.	D7/357
D601,385	S	*	10/2009	Savage	D7/566
D618,861	S	*	6/2010	Bahnean et al.	D30/133
D625,880	S	*	10/2010	Leung et al.	D26/118
8,001,931	B2	*	8/2011	Deese et al.	119/61.57
D649,667	S	*	11/2011	Wens	D26/13
8,082,883	B2	*	12/2011	Aletti	119/61.57
D651,857	S	*	1/2012	Goodman et al.	D7/600
8,118,339	B2	*	2/2012	Knudson	294/162
D670,452	S	*	11/2012	Caruso	D30/133
D676,714	S	*	2/2013	Chen	D7/600
D682,483	S	*	5/2013	Silverman	D30/129
D684,430	S	*	6/2013	Holdings et al.	D7/555
D695,974	S	*	12/2013	Young	D30/133
D698,202	S	*	1/2014	Maas et al.	D7/555
D699,076	S	*	2/2014	Harris et al.	D7/587
2003/0079492	A1	*	5/2003	Pechous et al.	62/457.6
2005/0045112	A1	*	3/2005	Craft	119/61.5
2005/0072366	A1	*	4/2005	Hammer	119/61.57
2005/0126502	A1	*	6/2005	Leary	119/61.56
2006/0037545	A1	*	2/2006	Bradley	119/69.5
2006/0096545	A1	*	5/2006	Cone et al.	119/61.53
2010/0147224	A1	*	6/2010	Aletti	119/61.57
2010/0170447	A1	*	7/2010	Pridgen, Jr.	119/61.53
2011/0041772	A1	*	2/2011	Hargrove	119/61.57
2011/0283947	A1	*	11/2011	Linke	119/61.53
2012/0234250	A1	*	9/2012	Shamoon et al.	119/61.57

* cited by examiner

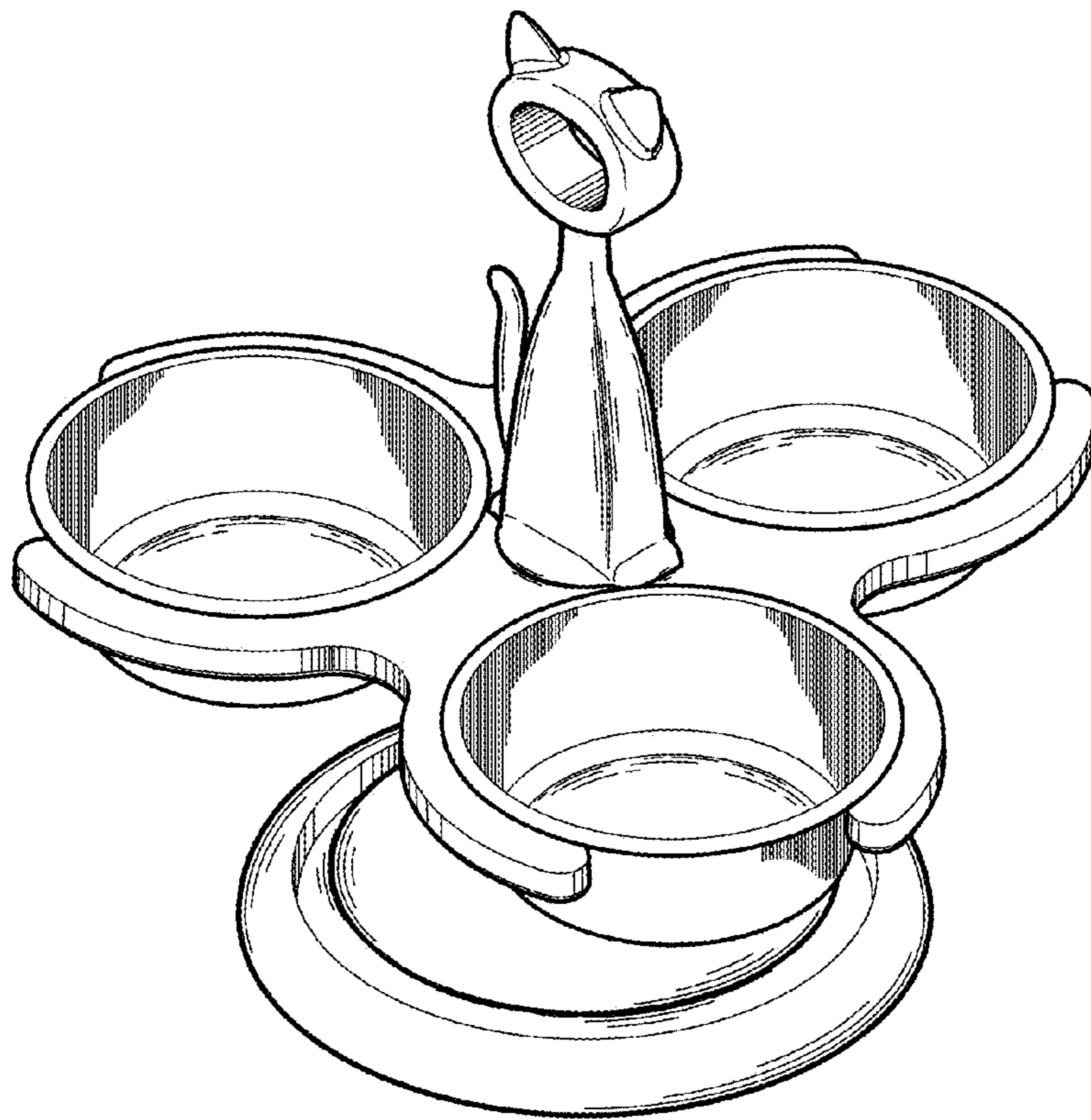


FIG. 1

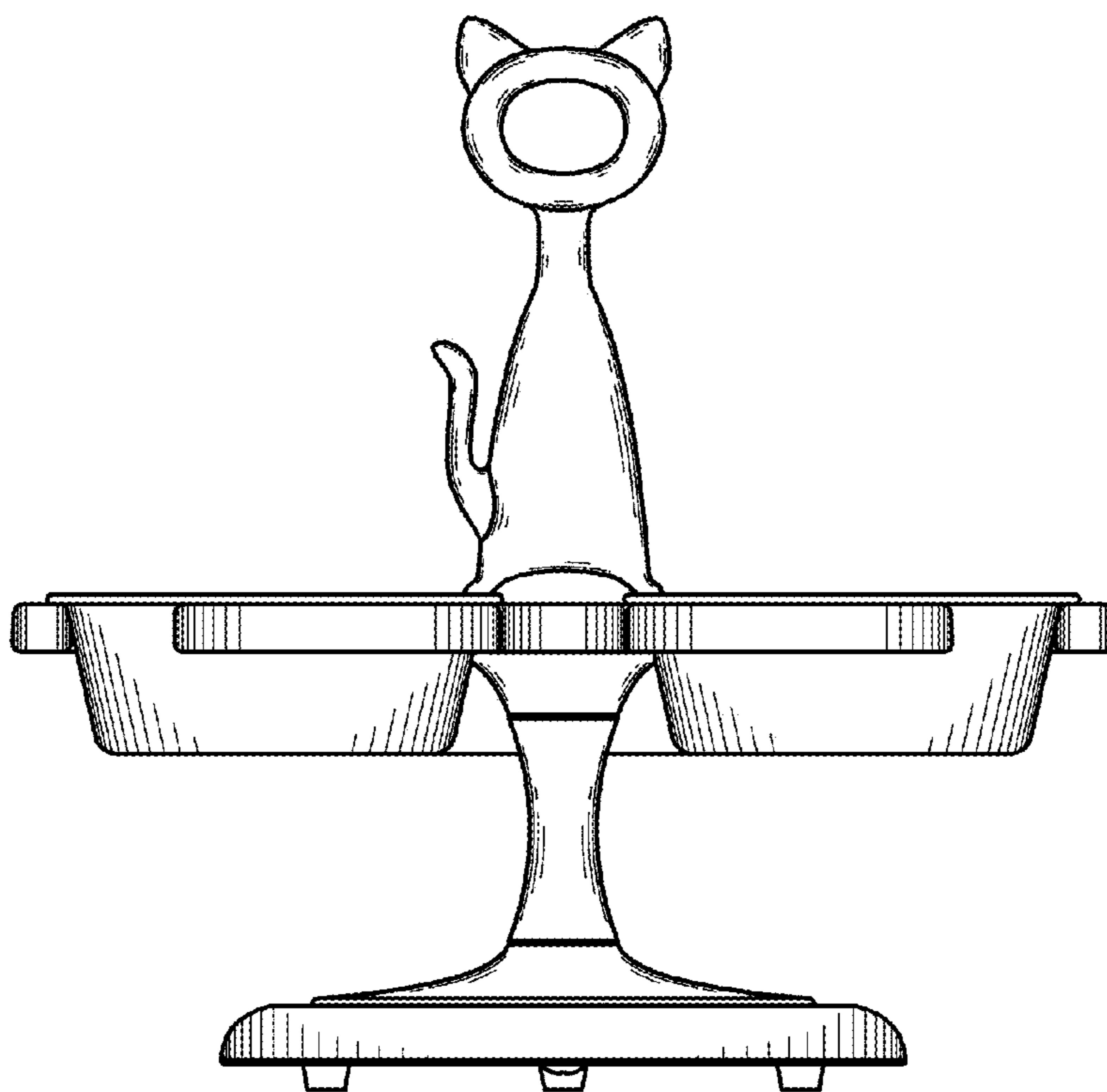


FIG. 2

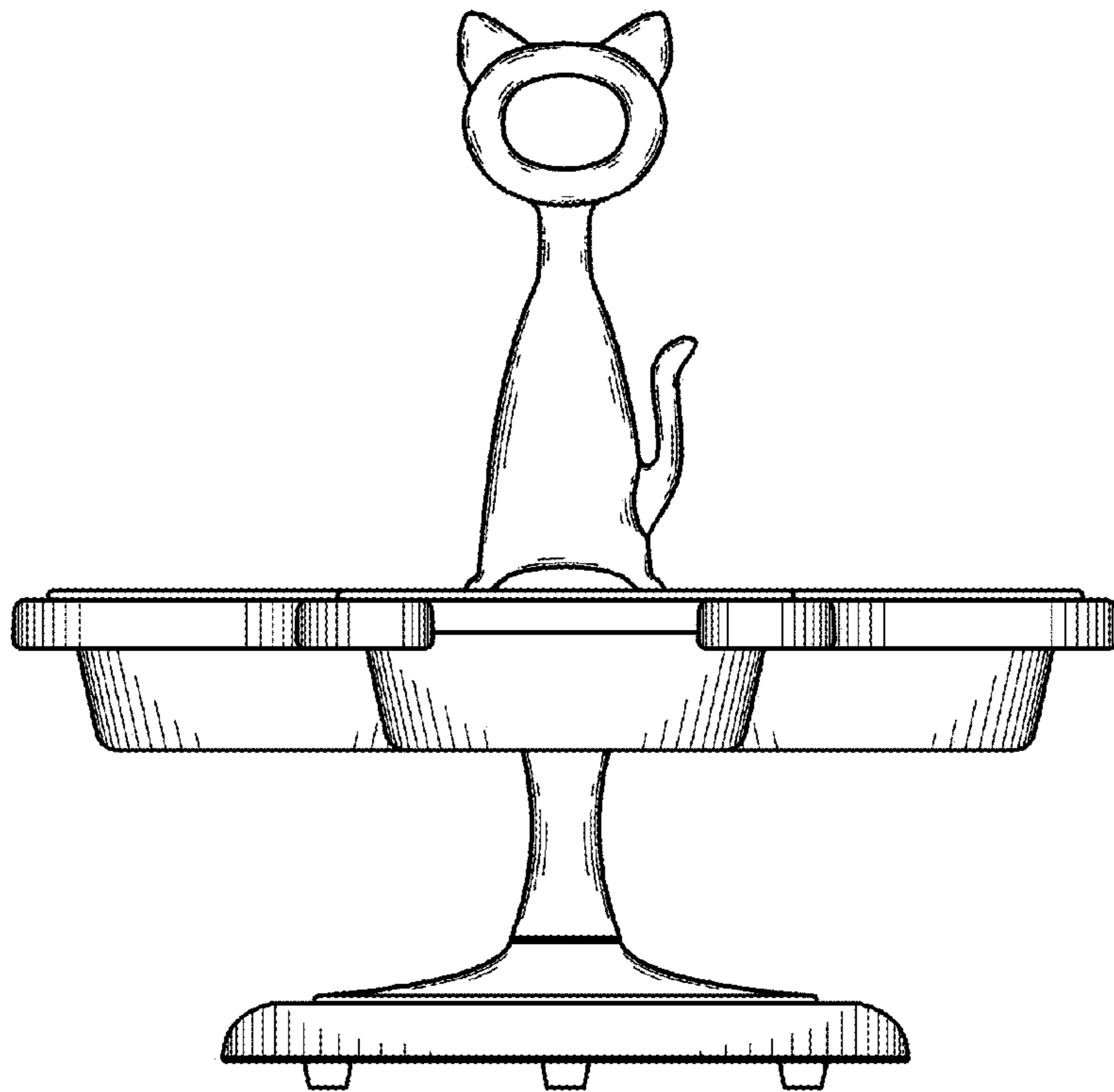


FIG. 3

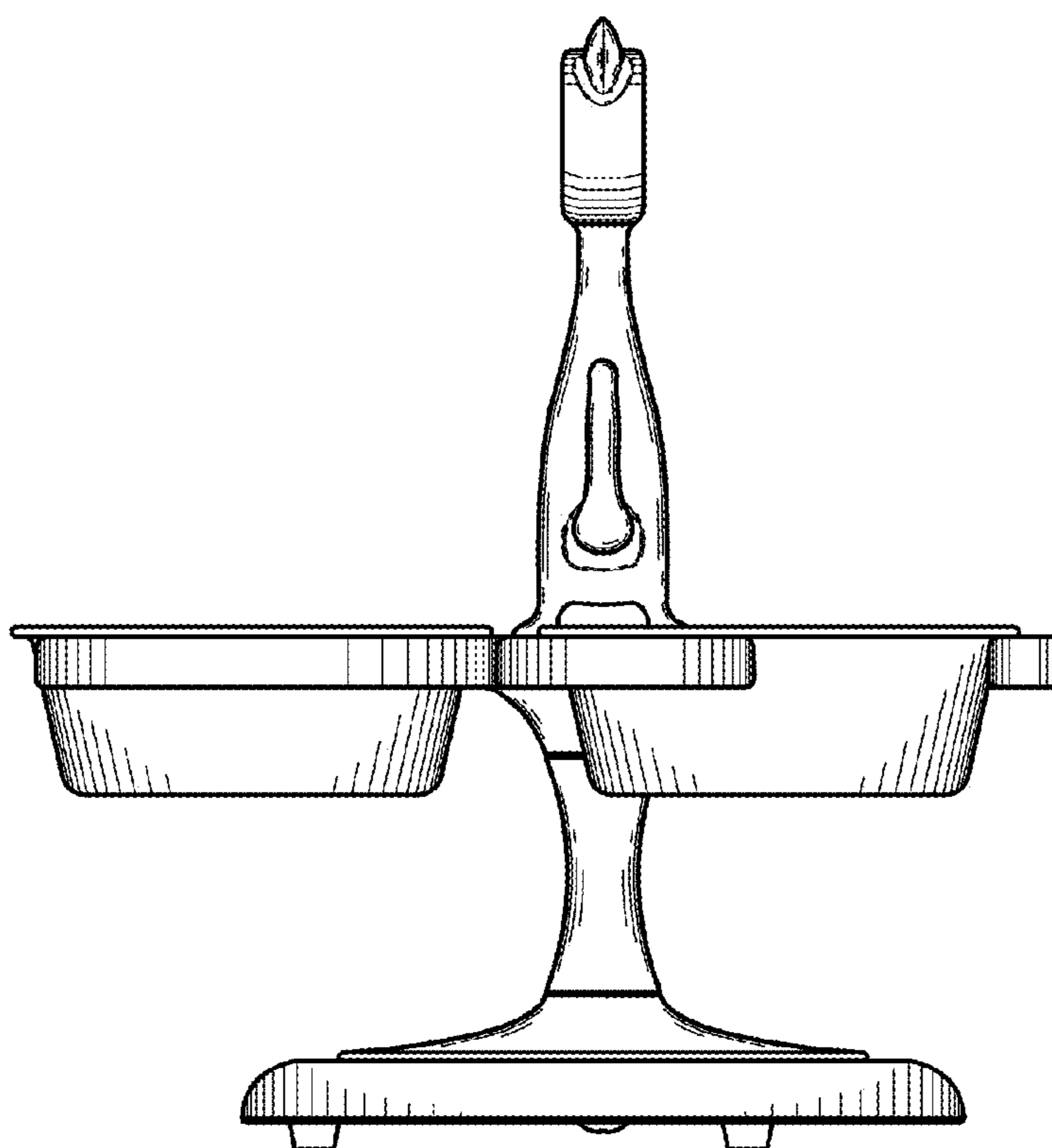


FIG. 4

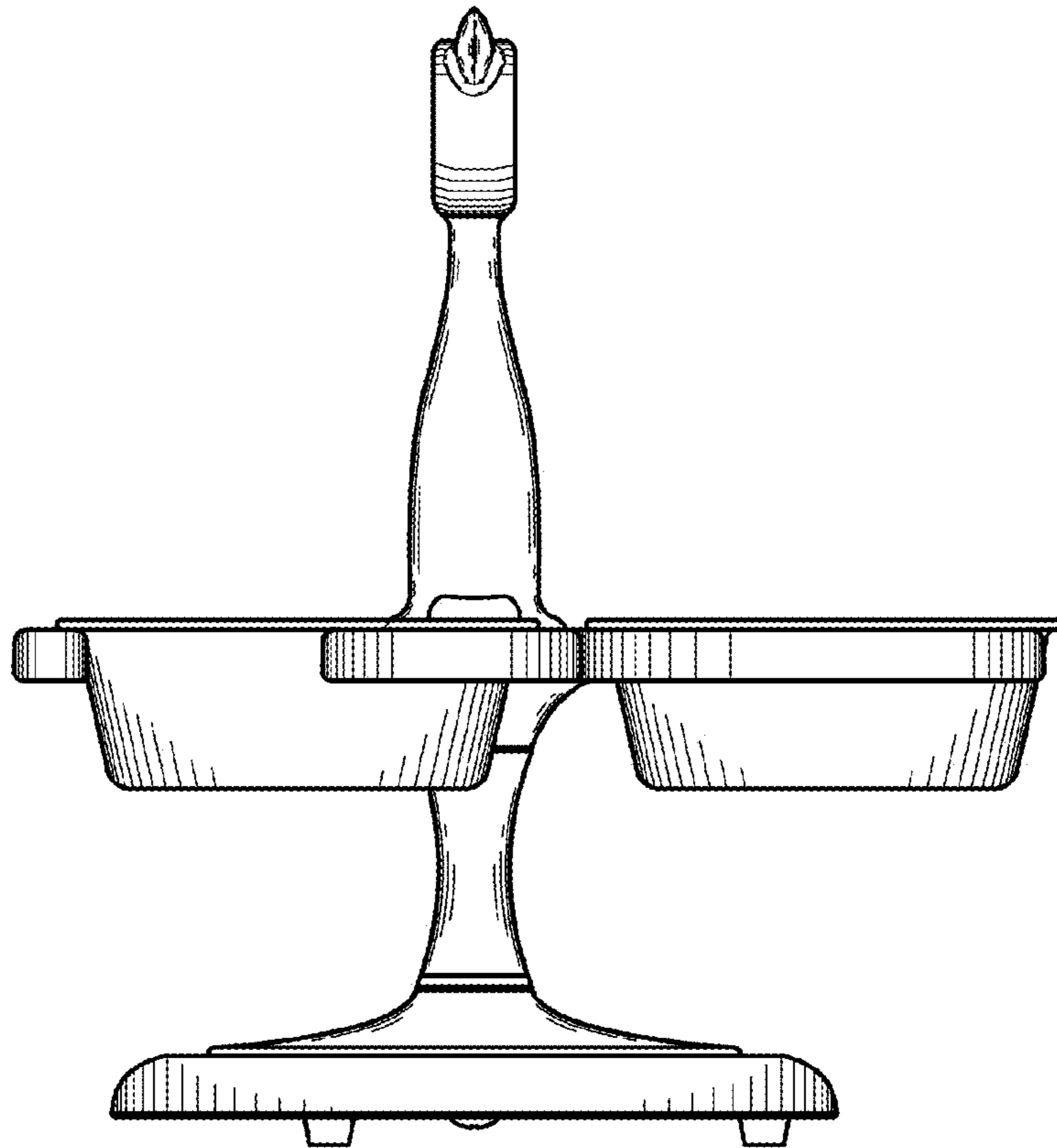


FIG. 5

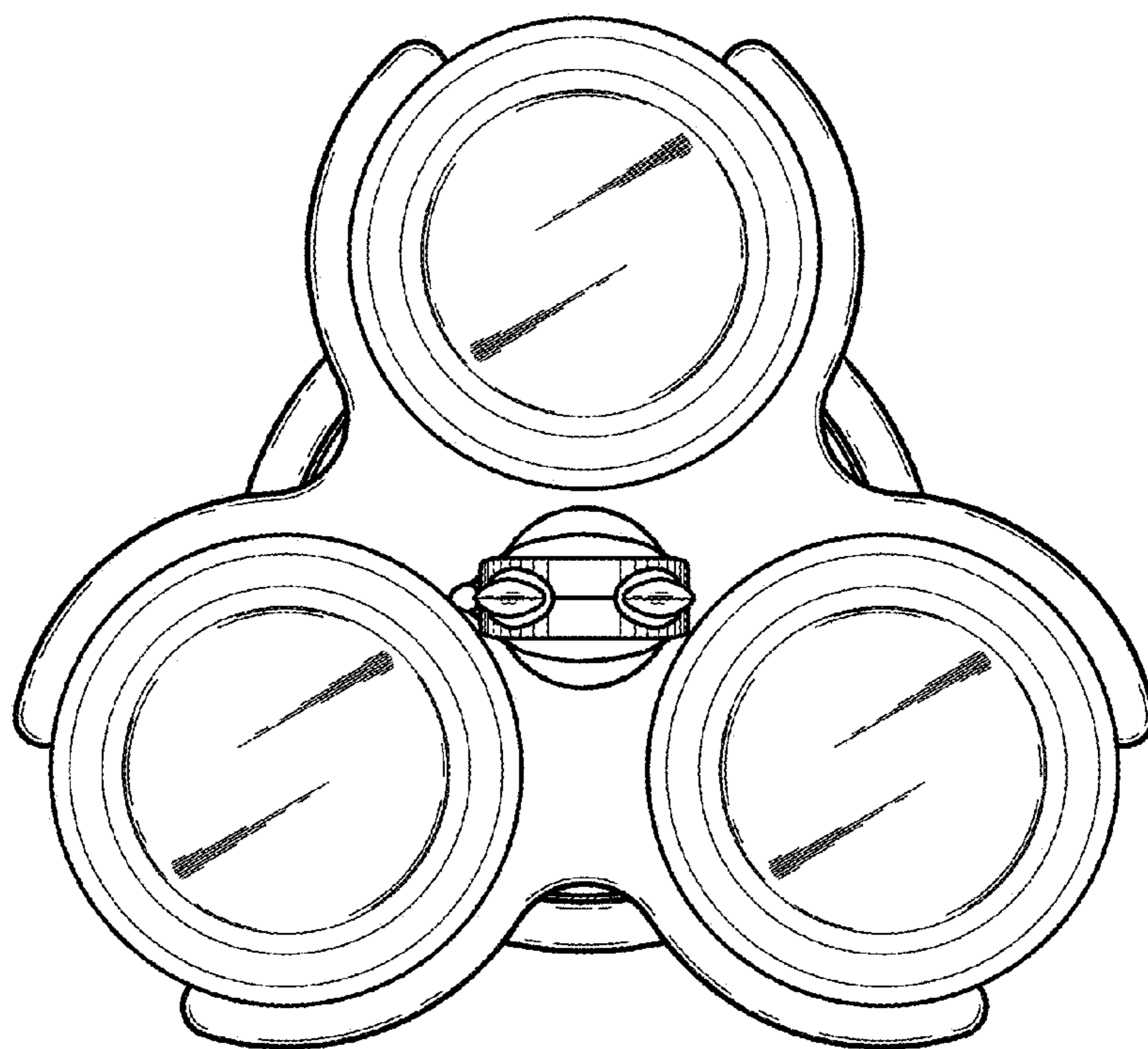


FIG. 6

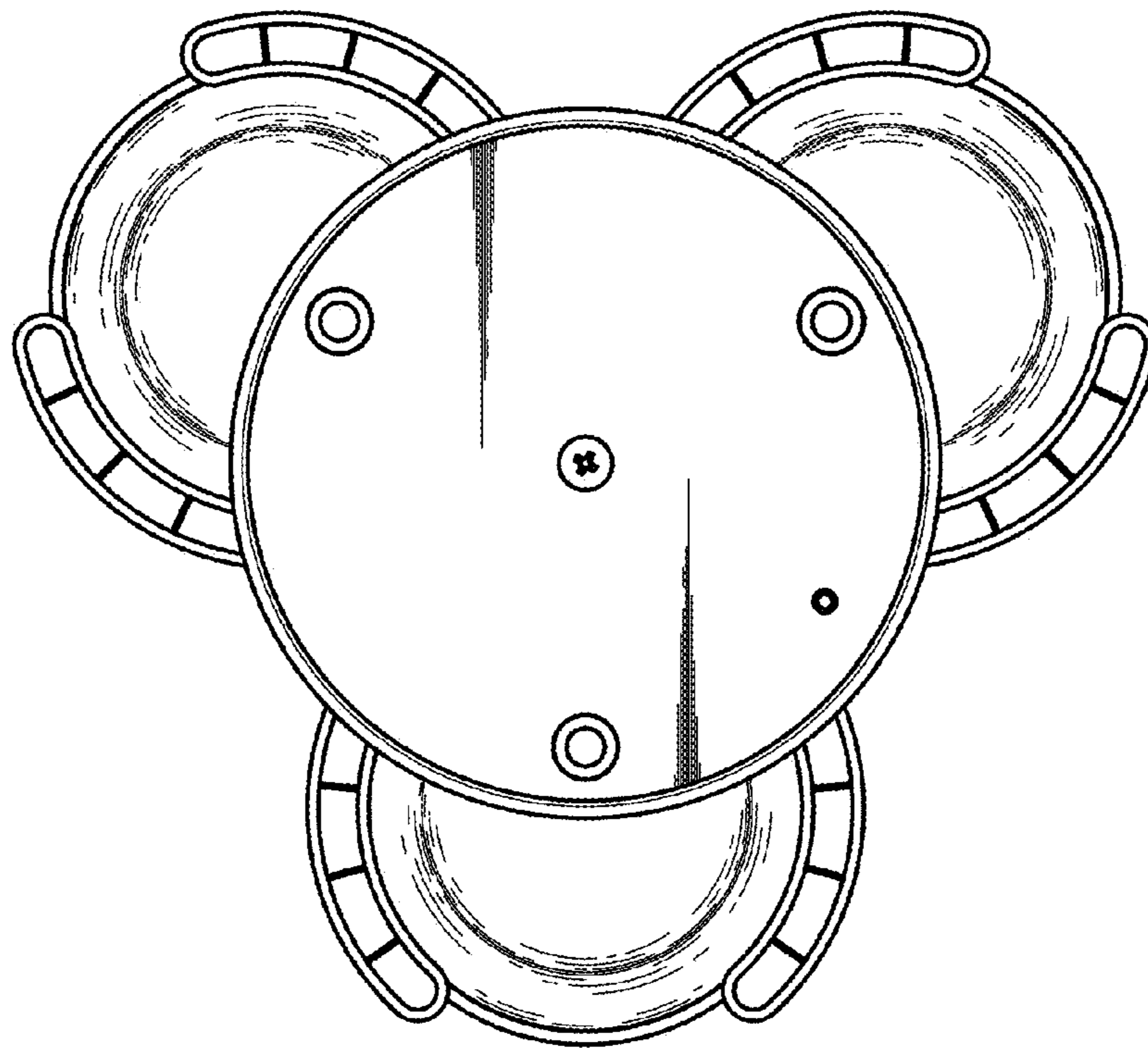


FIG. 7