



US00D711051S

(12) **United States Design Patent**
Noordzij et al.

(10) **Patent No.:** **US D711,051 S**
(45) **Date of Patent:** **** Aug. 12, 2014**

(54) **MANDIBLE SHIELD**

(71) Applicant: **Artisent, LLC**, Simpson, PA (US)

(72) Inventors: **Duco W. Noordzij**, Roslindale, MA (US); **Kyle L. Lamson**, Chelmsford, MA (US); **David C. Rogers**, Boston, MA (US)

(73) Assignee: **Artisent, LLC**, Simpson, PA (US)

(**) Term: **14 Years**

(21) Appl. No.: **29/479,255**

(22) Filed: **Jan. 14, 2014**

(51) **LOC (10) Cl.** **29-02**

(52) **U.S. Cl.**
USPC **D29/122**

(58) **Field of Classification Search**
CPC ... A41D 13/05; A41D 13/11; A41D 13/1107;
A41D 13/1161; A41D 13/113; A41D 13/1138;
A41D 13/1146; A42B 3/18; A42B 3/20;
A42B 3/205; A42B 3/32; A42B 3/326;
A42B 3/00; A42B 3/04; A42B 3/0406;
A42B 3/08; A42B 3/085; A42B 1/008;
A61F 9/06; A63B 71/08; A63B 7/085; A63B
71/10; A63B 71/12; A63B 71/1291
USPC D29/100, 102, 106, 108, 110, 122;
D2/865, 880, 881; 2/455, 456, 410, 7,
2/8.2, 424, 425, 9, 468, 171, 205, 206;
128/201.23, 857
See application file for complete search history.

(56) **References Cited**

U.S. PATENT DOCUMENTS

2,867,811 A * 1/1959 Jones 2/421
3,118,443 A * 1/1964 Dykinga 602/17
3,216,023 A * 11/1965 Morgan 2/9
D204,731 S * 5/1966 Dunning D29/111

D229,127 S * 11/1973 Franklin D29/108
3,886,596 A * 6/1975 Franklin et al. 2/9
D243,127 S * 1/1977 Farquharson D29/108
D243,128 S * 1/1977 Morgan D29/108
4,042,974 A * 8/1977 Morgan et al. 2/9
D246,012 S * 10/1977 Minette D29/108
5,384,914 A * 1/1995 Caveness et al. 2/9
6,289,521 B1 * 9/2001 Ikeda 2/421
D471,675 S * 3/2003 Ikeda D29/122
D526,746 S * 8/2006 Wong D29/122
D535,061 S * 1/2007 Evans et al. D29/122
D548,893 S * 8/2007 Hedge et al. D29/122
D556,386 S * 11/2007 Lee D29/122
D632,439 S * 2/2011 Lebel et al. D29/122

(Continued)

Primary Examiner — Elizabeth J Oswecki

(74) *Attorney, Agent, or Firm* — Morgan, Lewis & Bockius LLP

(57) **CLAIM**

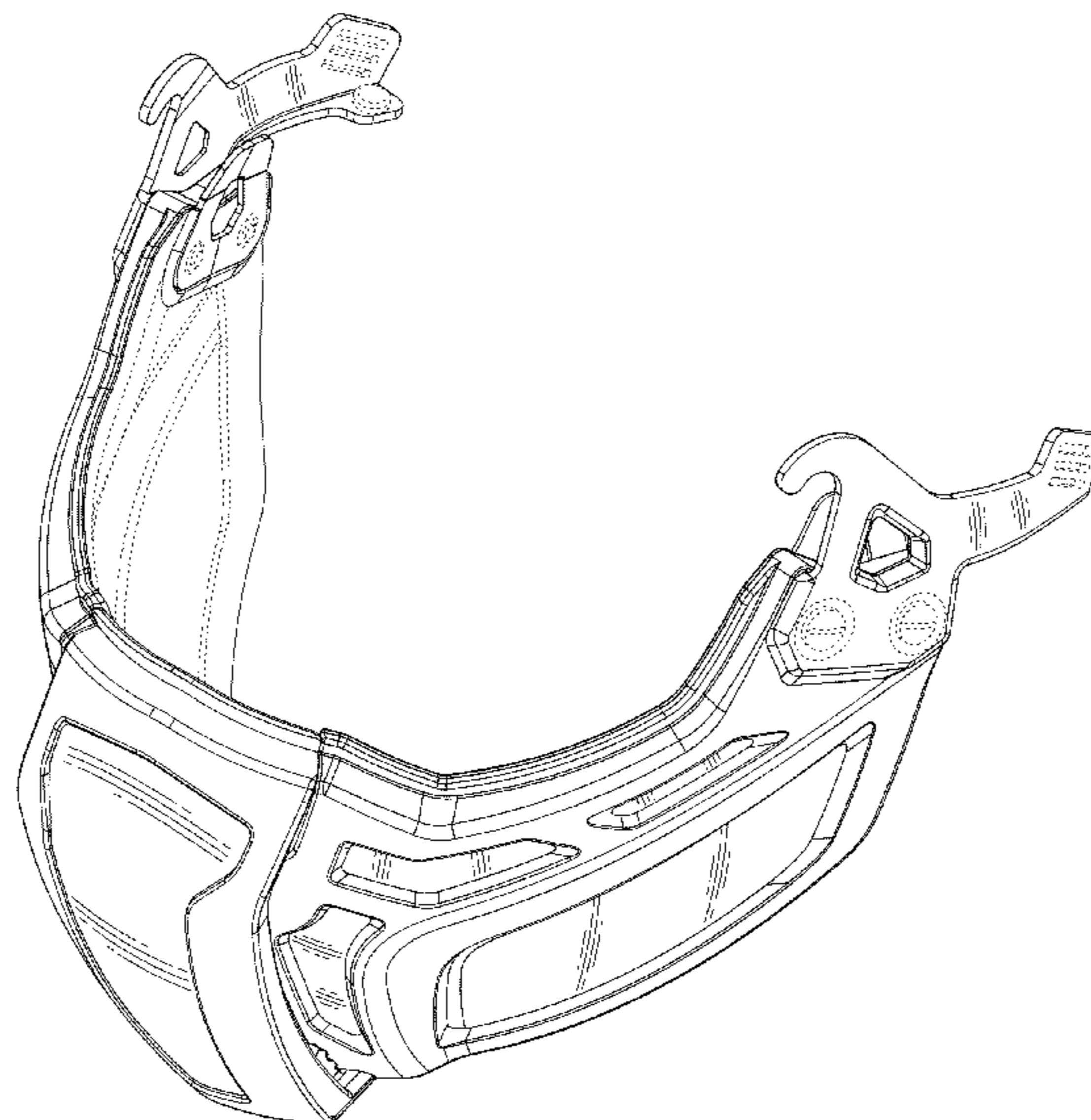
The ornamental design for a mandible shield, as shown and described.

DESCRIPTION

FIG. 1 is a front perspective view of a mandible shield showing my new design;
FIG. 2 is a front elevational view of the mandible shield shown in FIG. 1;
FIG. 3 is a rear elevational view of the mandible shield shown in FIG. 1;
FIG. 4 is a left-side elevational view of the mandible shield shown in FIG. 1;
FIG. 5 is a right-side elevational view of the mandible shield shown in FIG. 1;
FIG. 6 is a bottom plan view of the mandible shield shown in FIG. 1; and,
FIG. 7 is a top plan view of the mandible shield shown in FIG. 1.

The broken lines shown in the drawings represent portions of the mandible shield that form no part of the claimed design.

1 Claim, 6 Drawing Sheets



US D711,051 S

Page 2

(56)

References Cited

U.S. PATENT DOCUMENTS

D632,440 S *	2/2011	Lebel et al.	D29/122	
D638,172 S *	5/2011	Lebel et al.	D29/122	
D672,683 S *	12/2012	Klotz et al.	D11/122	* cited by examiner
D674,560 S *	1/2013	Klotz et al.	D29/122	
D701,002 S *	3/2014	Lebel et al.	D29/122	
2012/0204331 A1 *	8/2012	Lebel et al.	2/422	

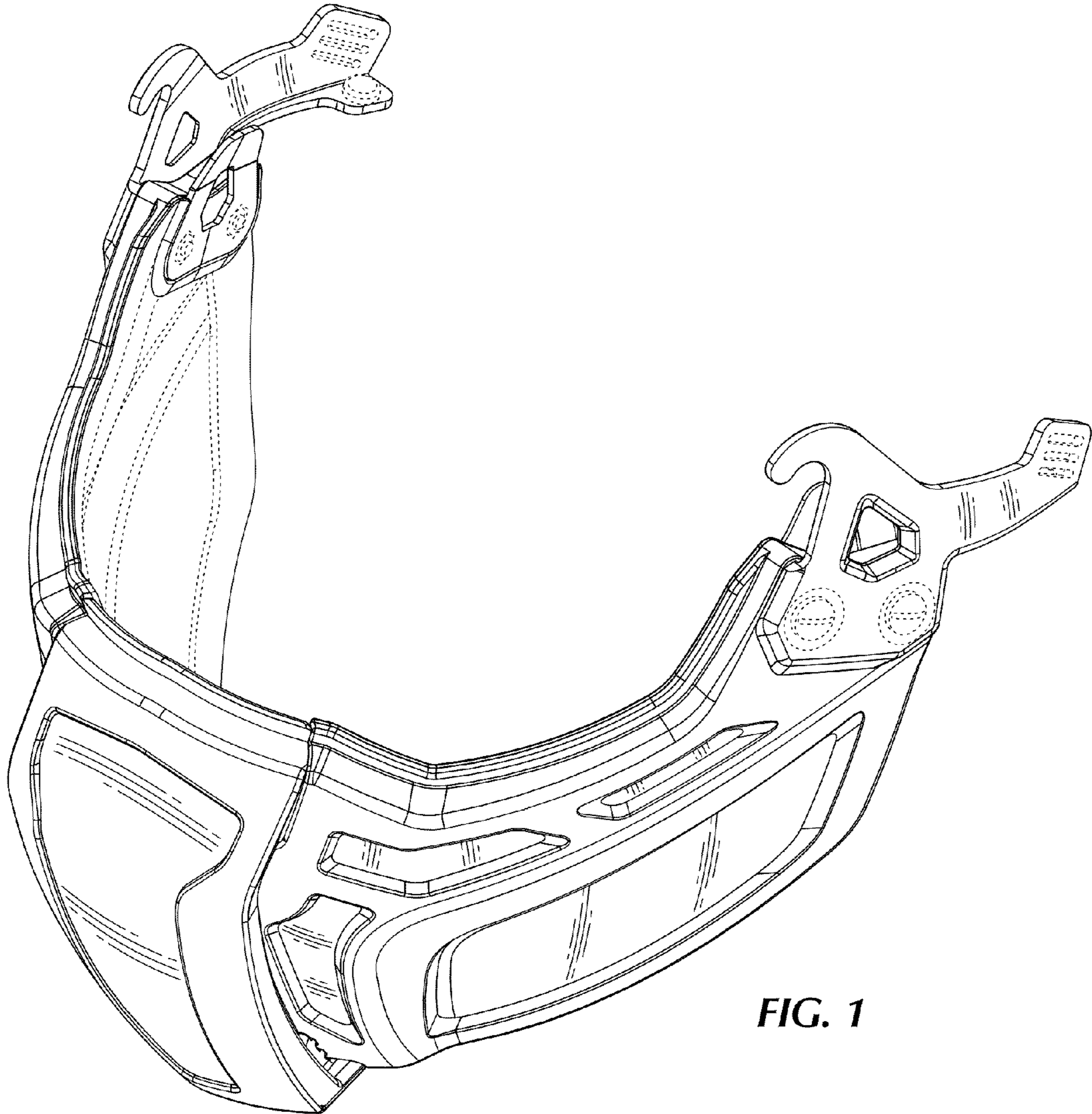


FIG. 1

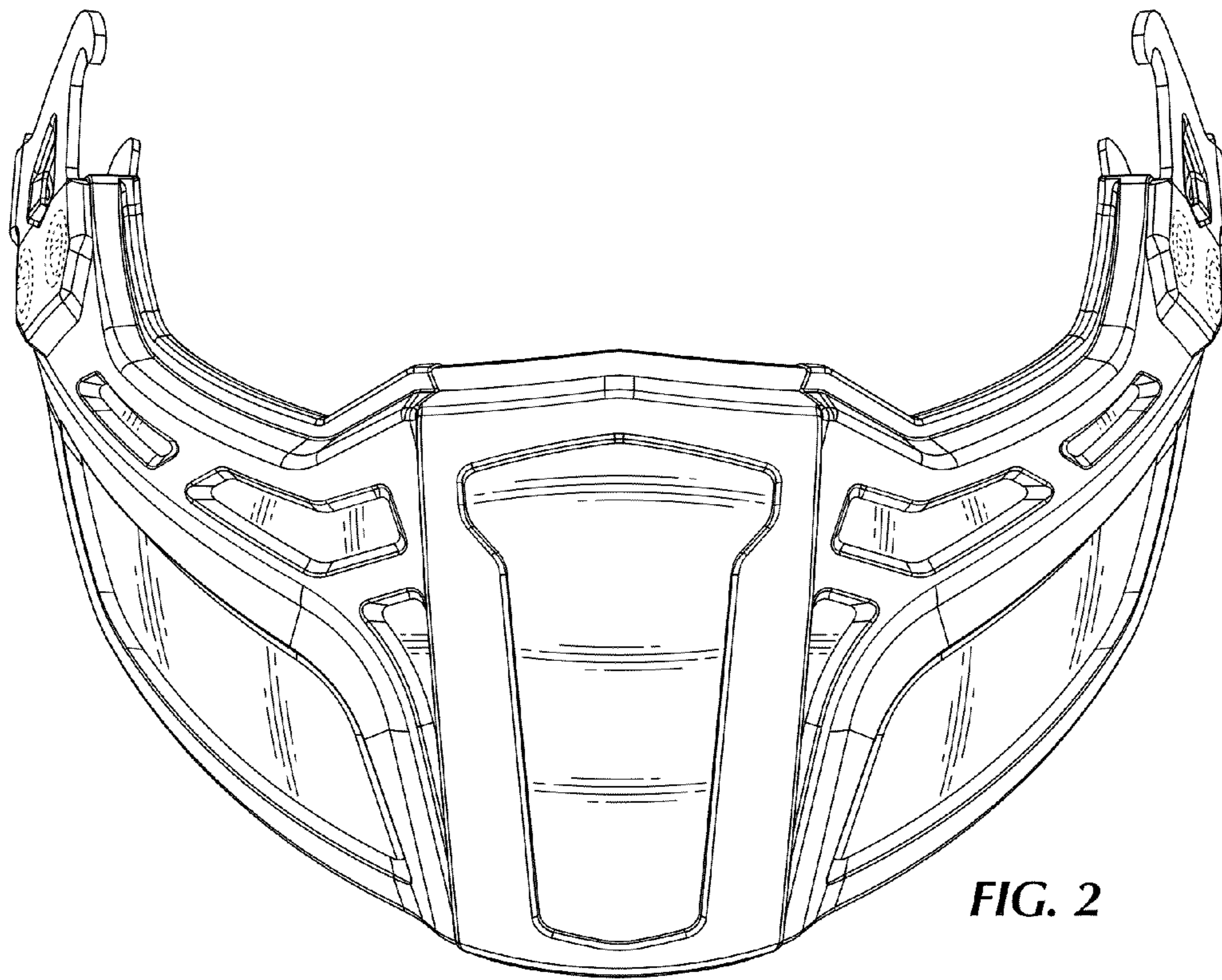


FIG. 2

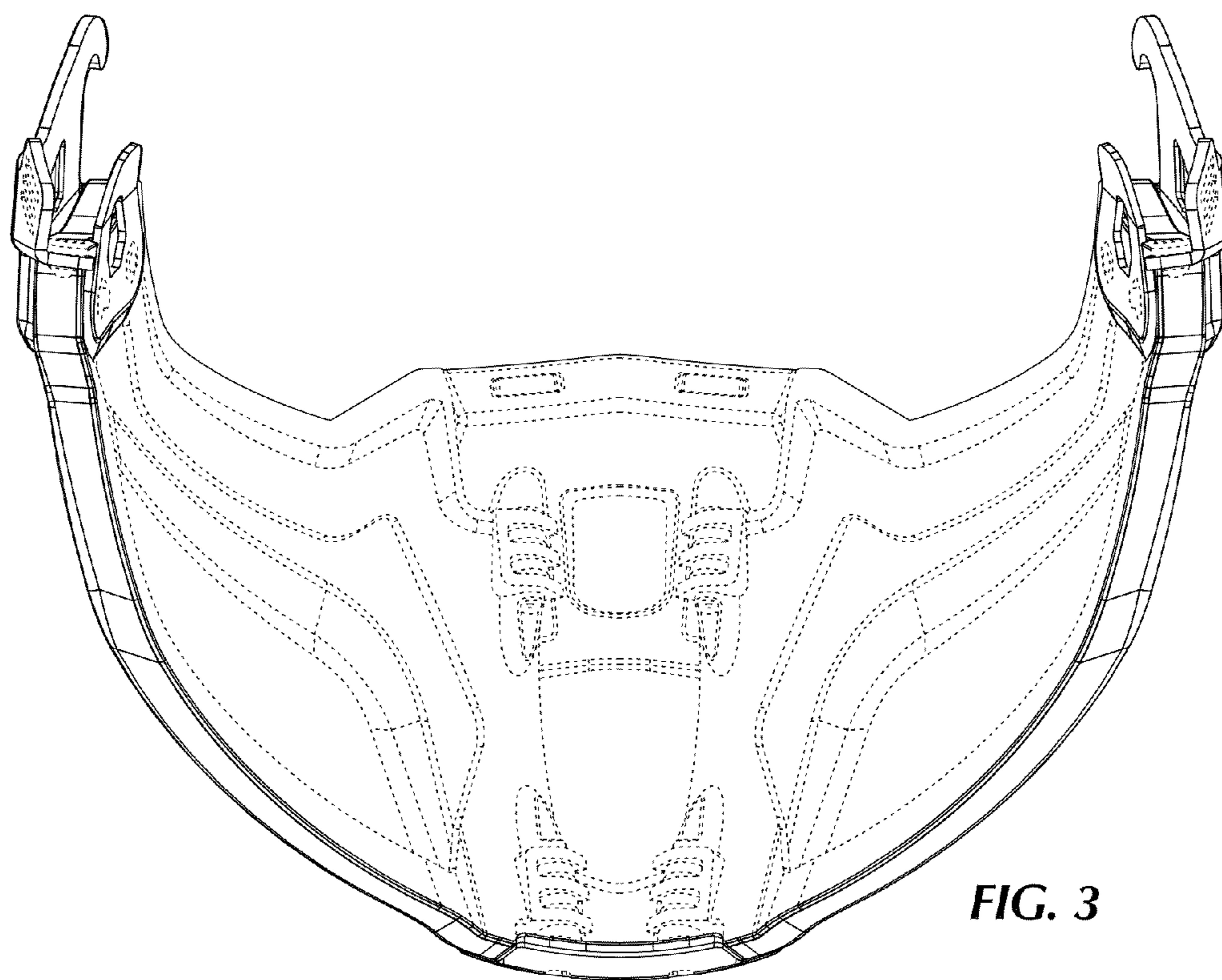


FIG. 3

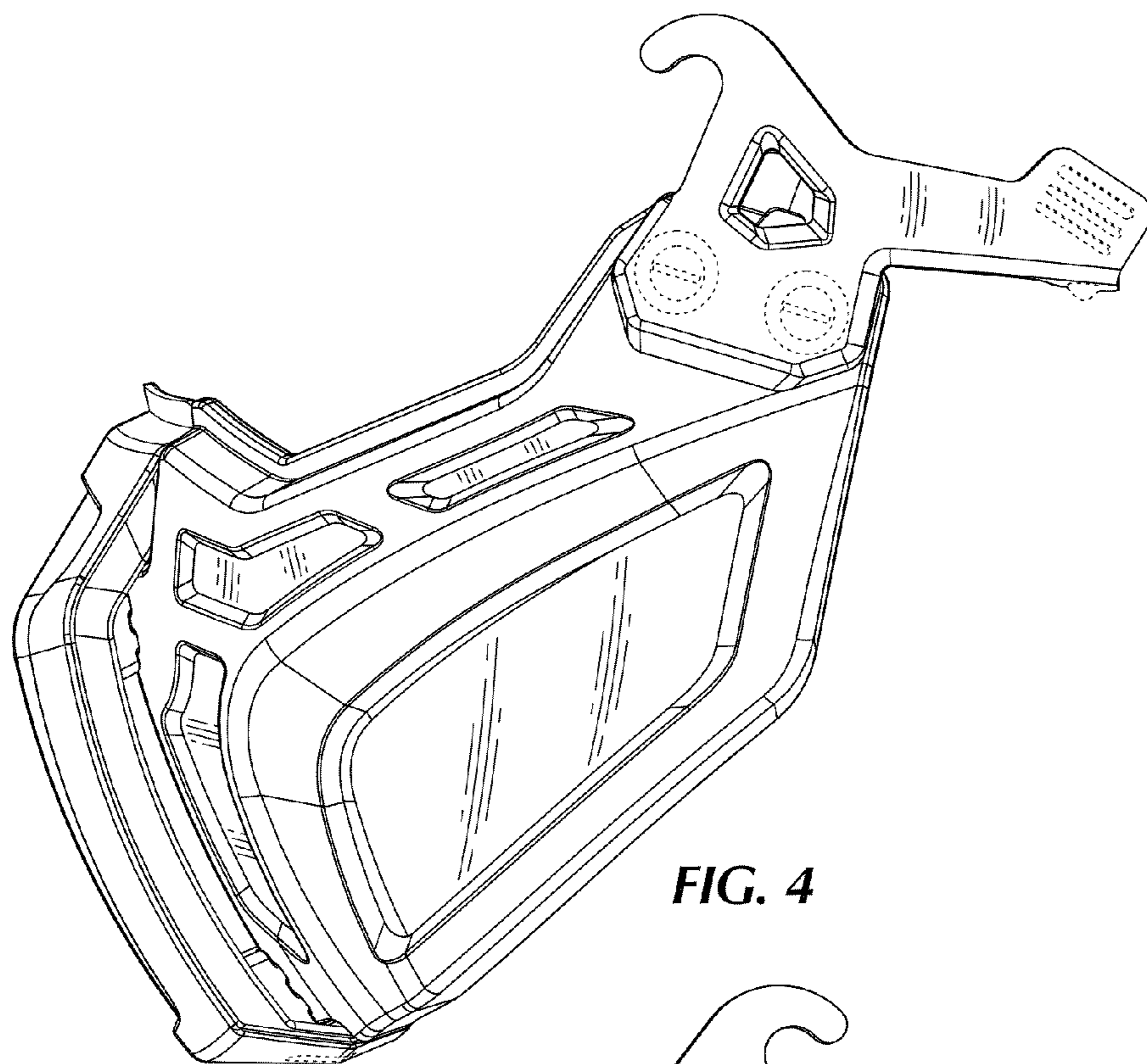


FIG. 4

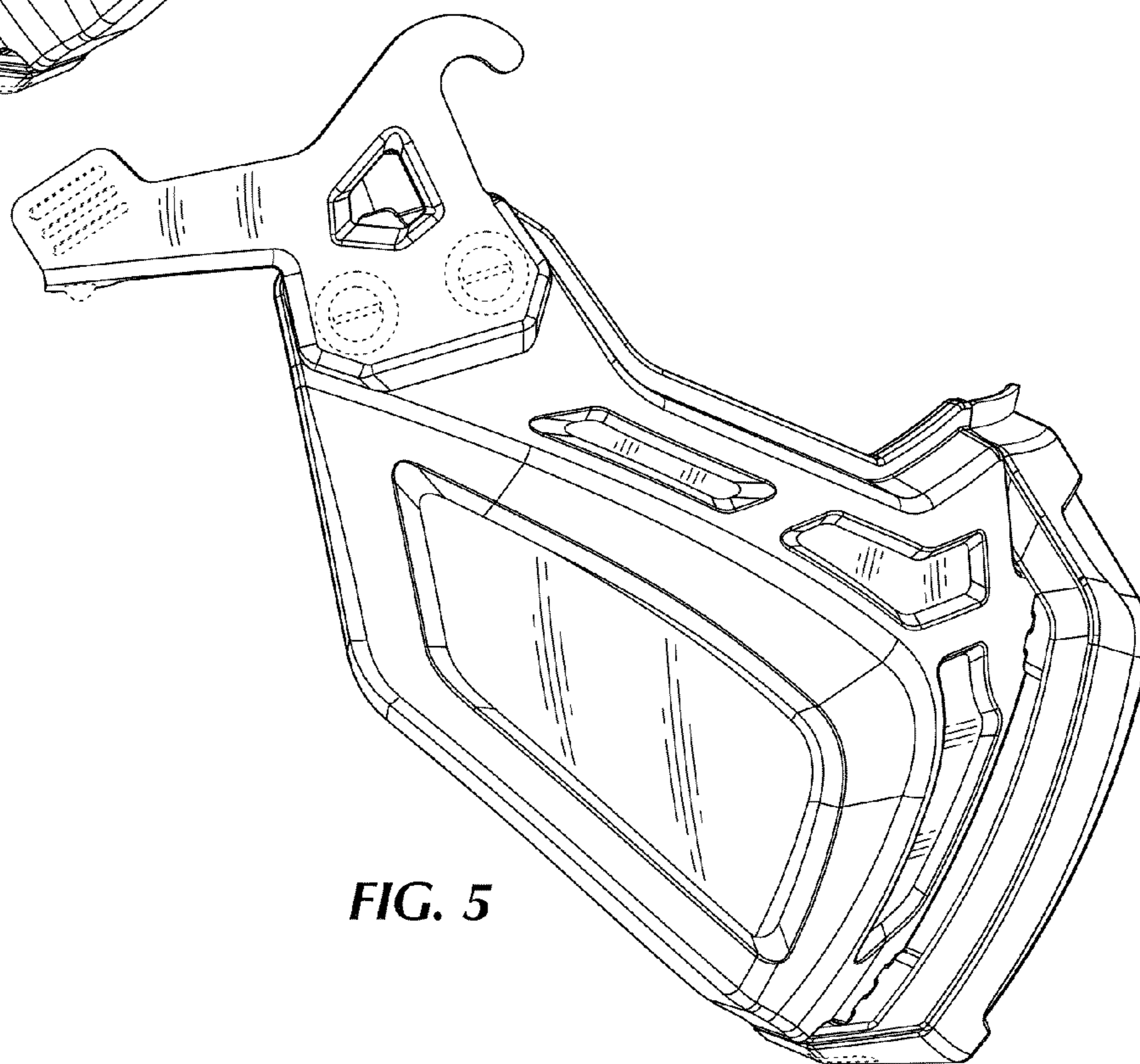


FIG. 5

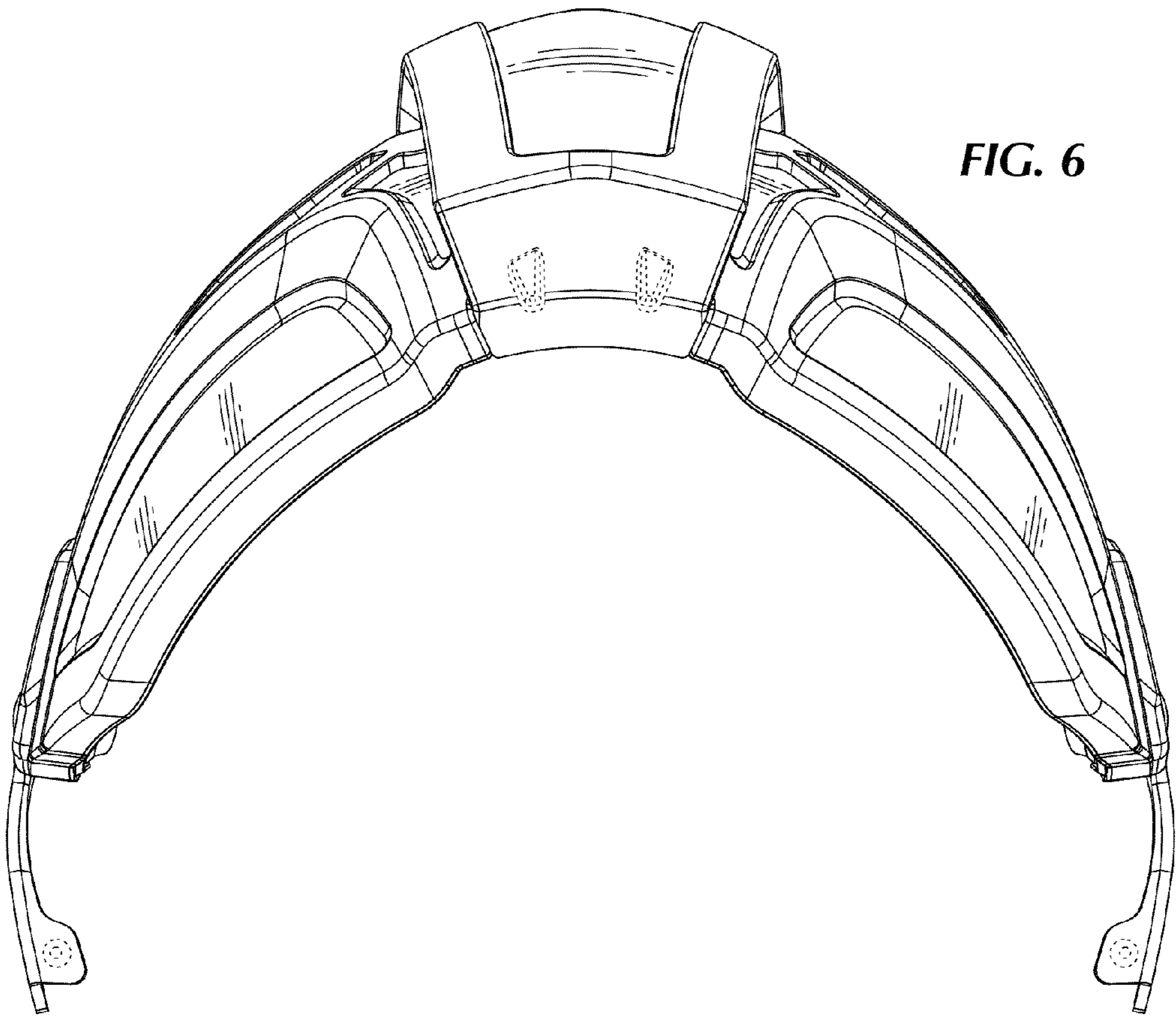


FIG. 6

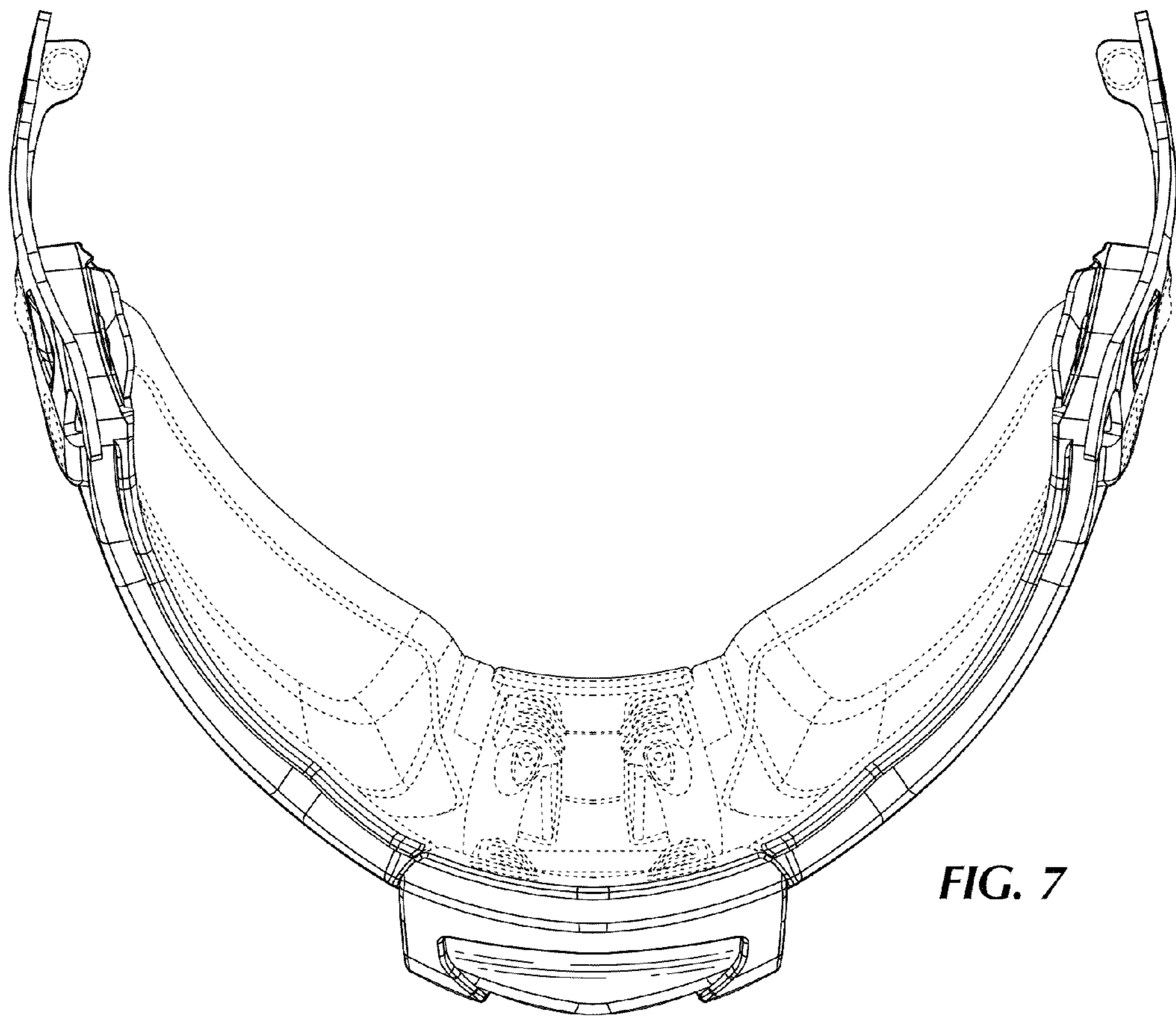


FIG. 7