



US00D711050S

(12) **United States Design Patent**
Ebrahimi

(10) **Patent No.:** **US D711,050 S**

(45) **Date of Patent:** **** Aug. 12, 2014**

(54) **KITCHEN WRIST GUARD**

D659,348 S * 5/2012 Selle et al. D2/610
D660,438 S * 5/2012 Kennedy et al. D24/190
D671,690 S * 11/2012 Brady et al. D29/120.1

(71) Applicant: **Mojdeh Ebrahimi**, Salt Lake City, UT
(US)

(72) Inventor: **Mojdeh Ebrahimi**, Salt Lake City, UT
(US)

(**) Term: **14 Years**

(21) Appl. No.: **29/466,800**

(22) Filed: **Sep. 11, 2013**

(51) **LOC (10) Cl.** **29-02**

(52) **U.S. Cl.**
USPC **D29/120.1**

(58) **Field of Classification Search**
USPC D29/101.1, 102.1, 101.3, 101.4, 101.5,
D29/120.1, 120.2, 121.1, 121.2, 122;
D2/901; D24/190; 2/16, 20–24, 62,
2/267, 455, 461, 463, 910, 911; 602/3, 5,
602/6, 16, 23, 26, 64; 128/878, 879

See application file for complete search history.

(56) **References Cited**

U.S. PATENT DOCUMENTS

1,510,783 A * 10/1924 Johnson 2/16
D441,082 S * 4/2001 Ruscitti D24/190
D477,088 S * 7/2003 Brown et al. D24/190
D486,610 S * 2/2004 Alivo, Jr. D29/120.1
D551,351 S 9/2007 Silva
7,389,544 B1 * 6/2008 Biggerstaff 2/16
D623,758 S * 9/2010 Chiang D24/190
D628,753 S * 12/2010 Bishop D29/120.1
D632,874 S * 2/2011 Stephanis et al. D2/858
8,025,632 B2 * 9/2011 Einarsson 602/23
8,100,847 B2 * 1/2012 Fournet, II 602/61

OTHER PUBLICATIONS

Mills Fleet Farm; Allen Heart of Steel Arm Guard; <http://www.fleetfarm.com/detail/allen-heart-of-steel-arm-guard/0000000021315>; produced Jun. 14, 2013; 1 page.
Bohning Archery; Slip-On Armguard; <http://www.bohning.com/store/slip-on-armguard.html>; produced Jun. 14, 2013; 2 pages.
Rose City Archery, Inc.; Bow Accessories—Arm Guards; <http://www.rosecityarchery.com/BowAccessories.html>; produced Jun. 14, 2013; 4 pages.
Central Restaurant; Deluxe Arm Protection Sleeve; <http://www.centralrestaurant.com/Deluxe-Arm-Protection-Sleeve-c168p13438.html>; produced Jun. 14, 2013; 2 pages.

* cited by examiner

Primary Examiner — Randall Gholson
(74) *Attorney, Agent, or Firm* — Maschoff Brennan

(57) **CLAIM**

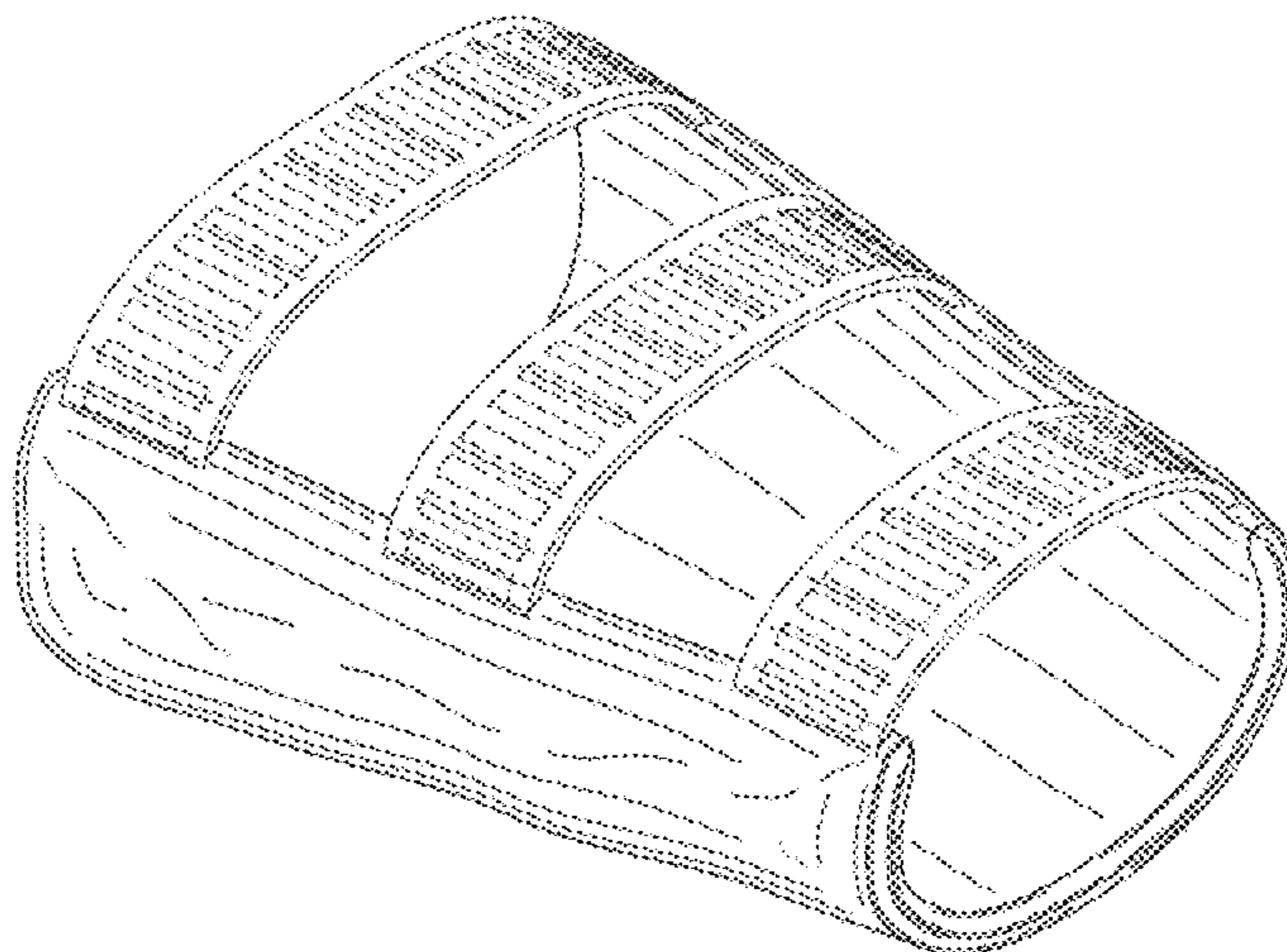
The ornamental design for a kitchen wrist guard, as shown and described.

DESCRIPTION

FIG. 1 is a top perspective view of the kitchen wrist guard; FIG. 2 is bottom perspective view thereof; FIG. 3 is a top plan view thereof; FIG. 4 is a bottom plan view thereof; FIG. 5 is a right side view thereof, the left side view being a mirror image of the right side view shown; FIG. 6 is a front view thereof; and, FIG. 7 is a back view thereof.

The broken lines in the drawings depict environmental subject matter only and form no part of the claimed design.

1 Claim, 6 Drawing Sheets



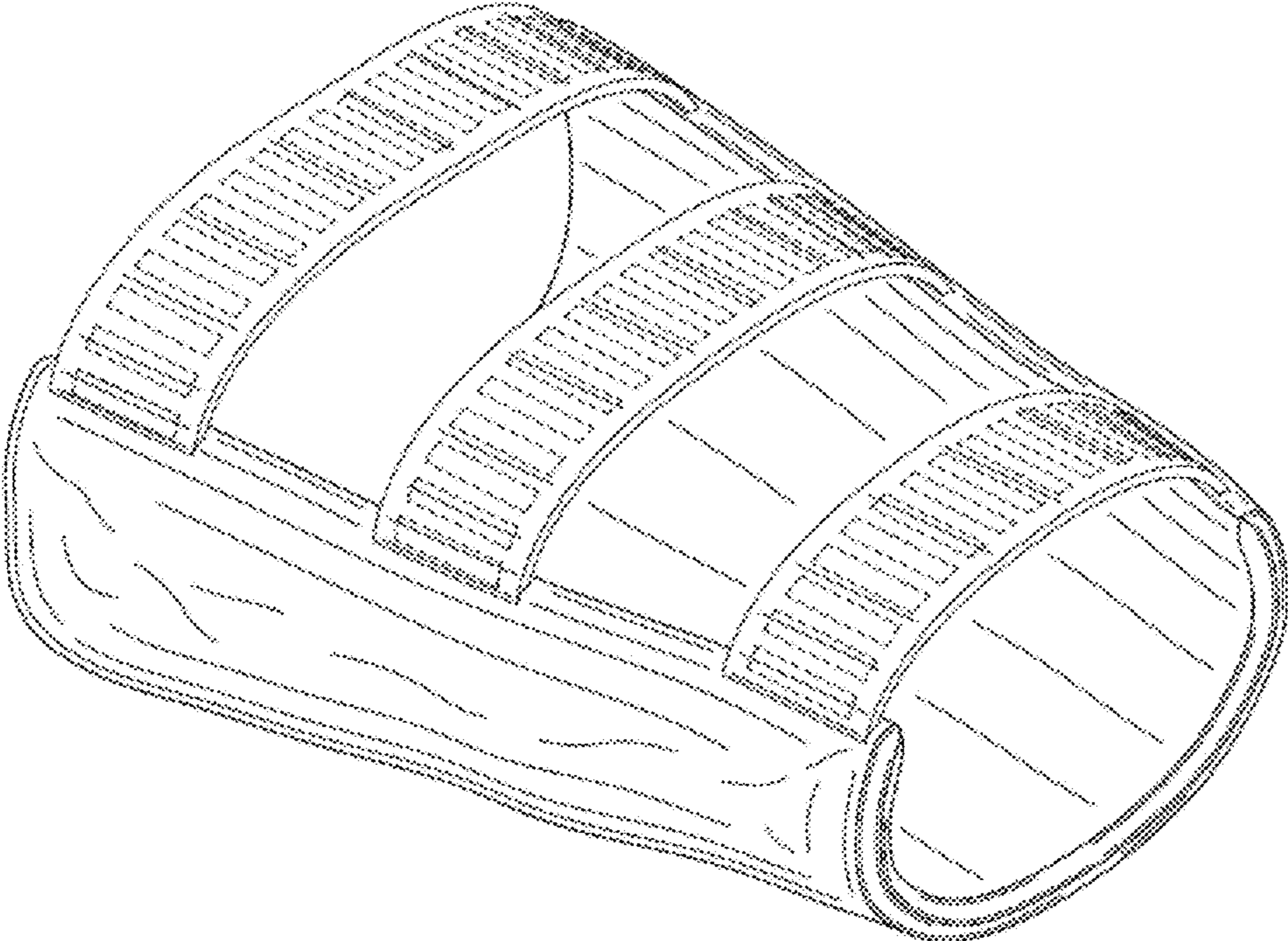


FIG. 1

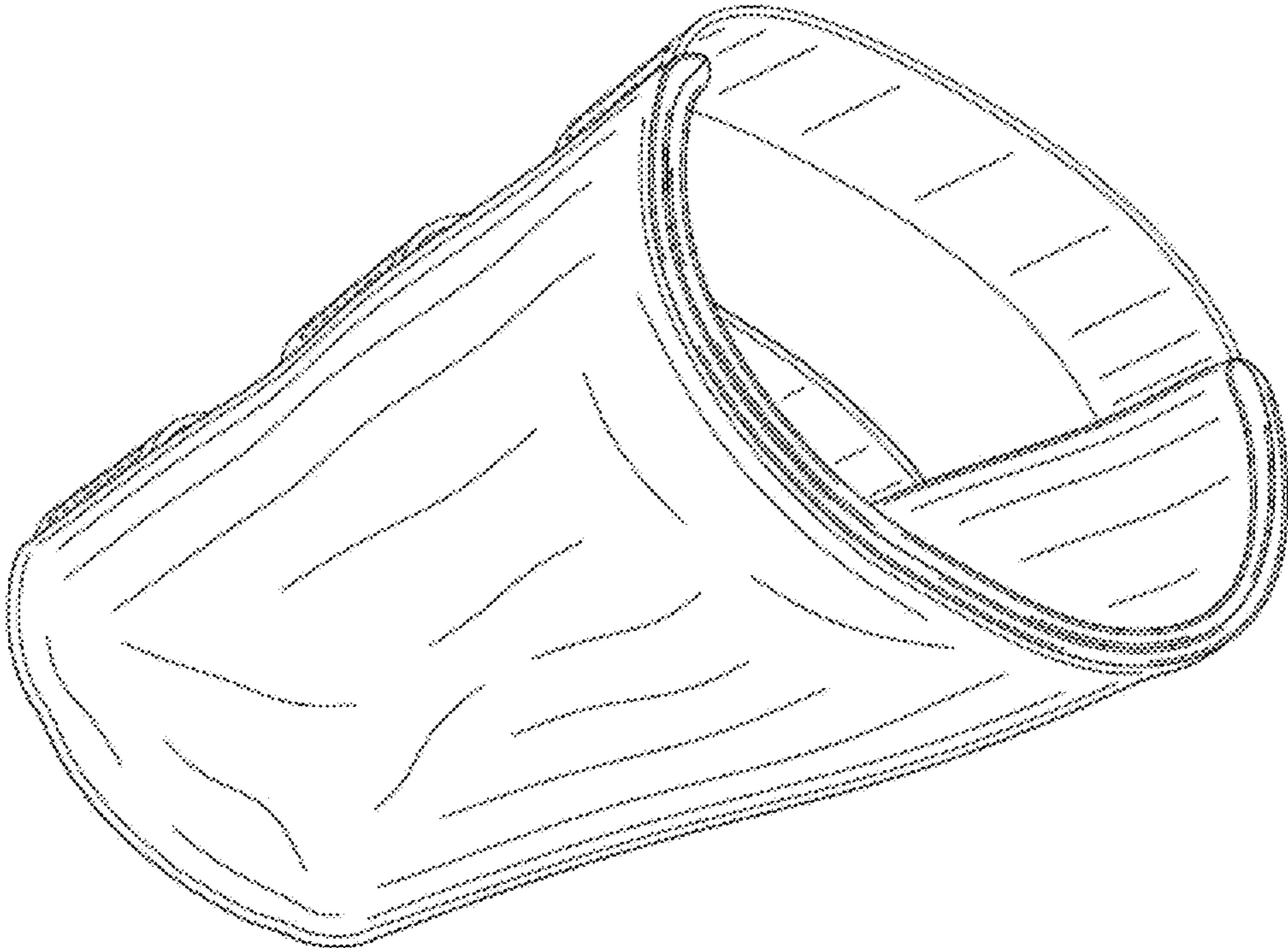


FIG. 2

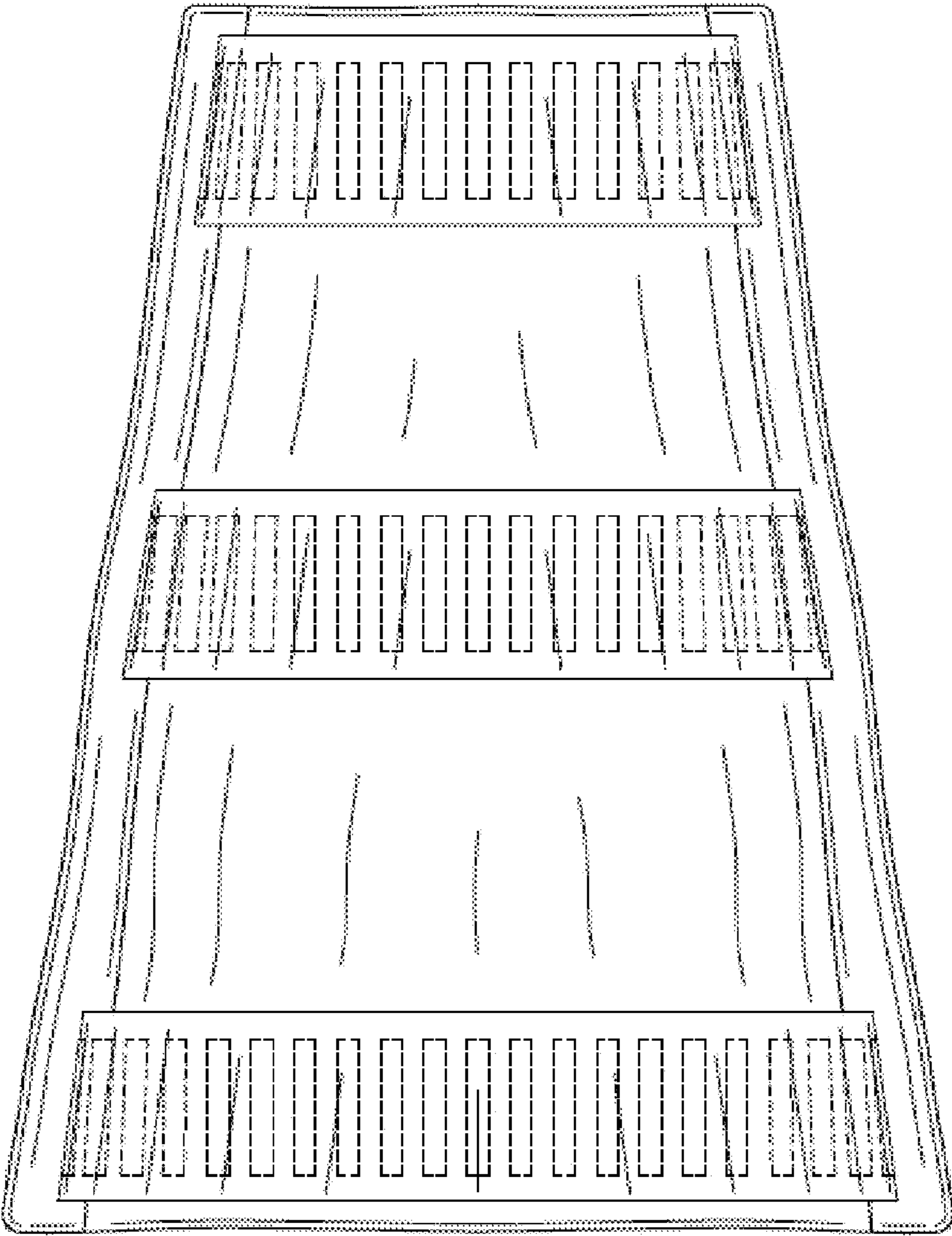


FIG. 3

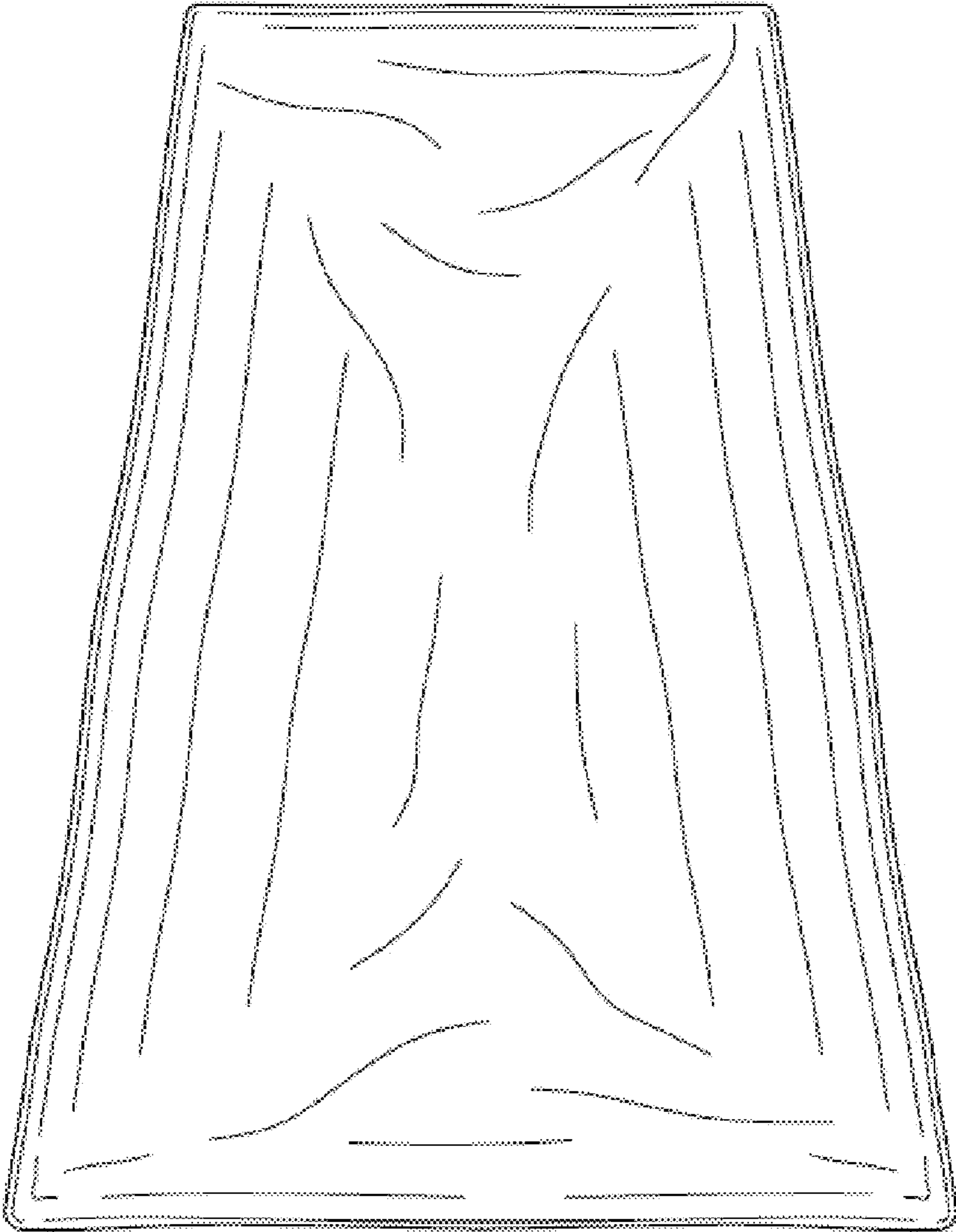


FIG. 4

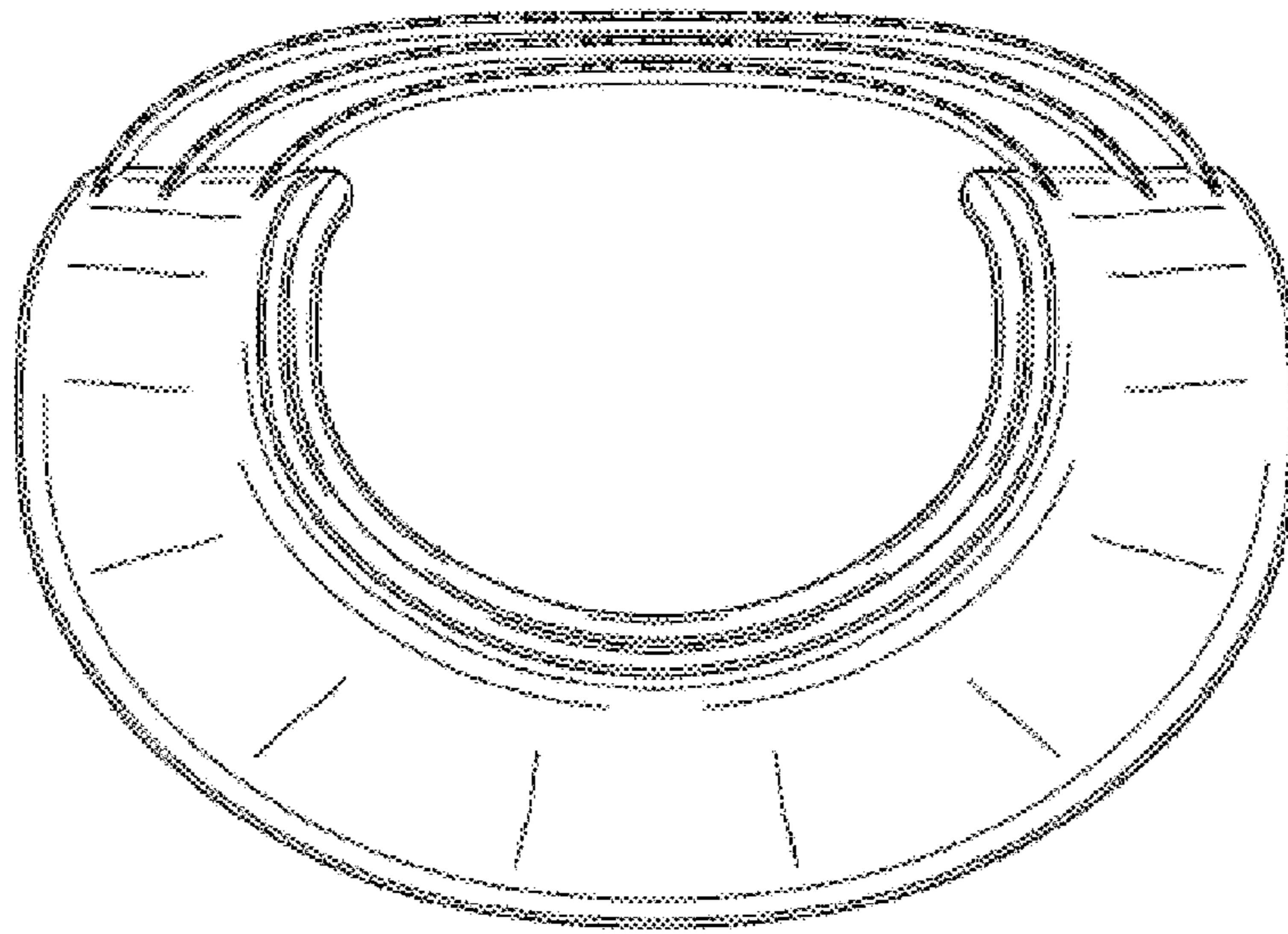


FIG. 5

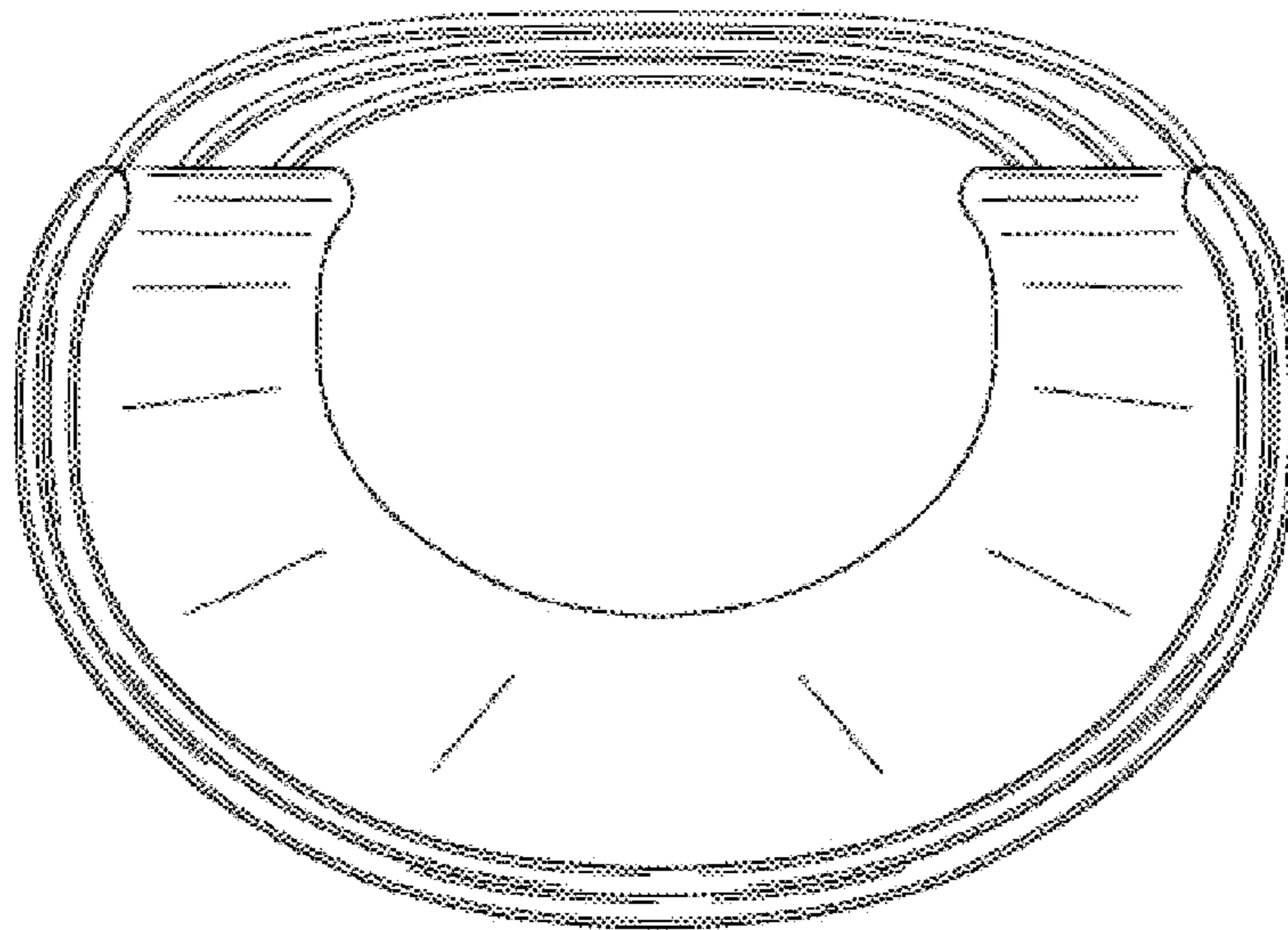


FIG. 6

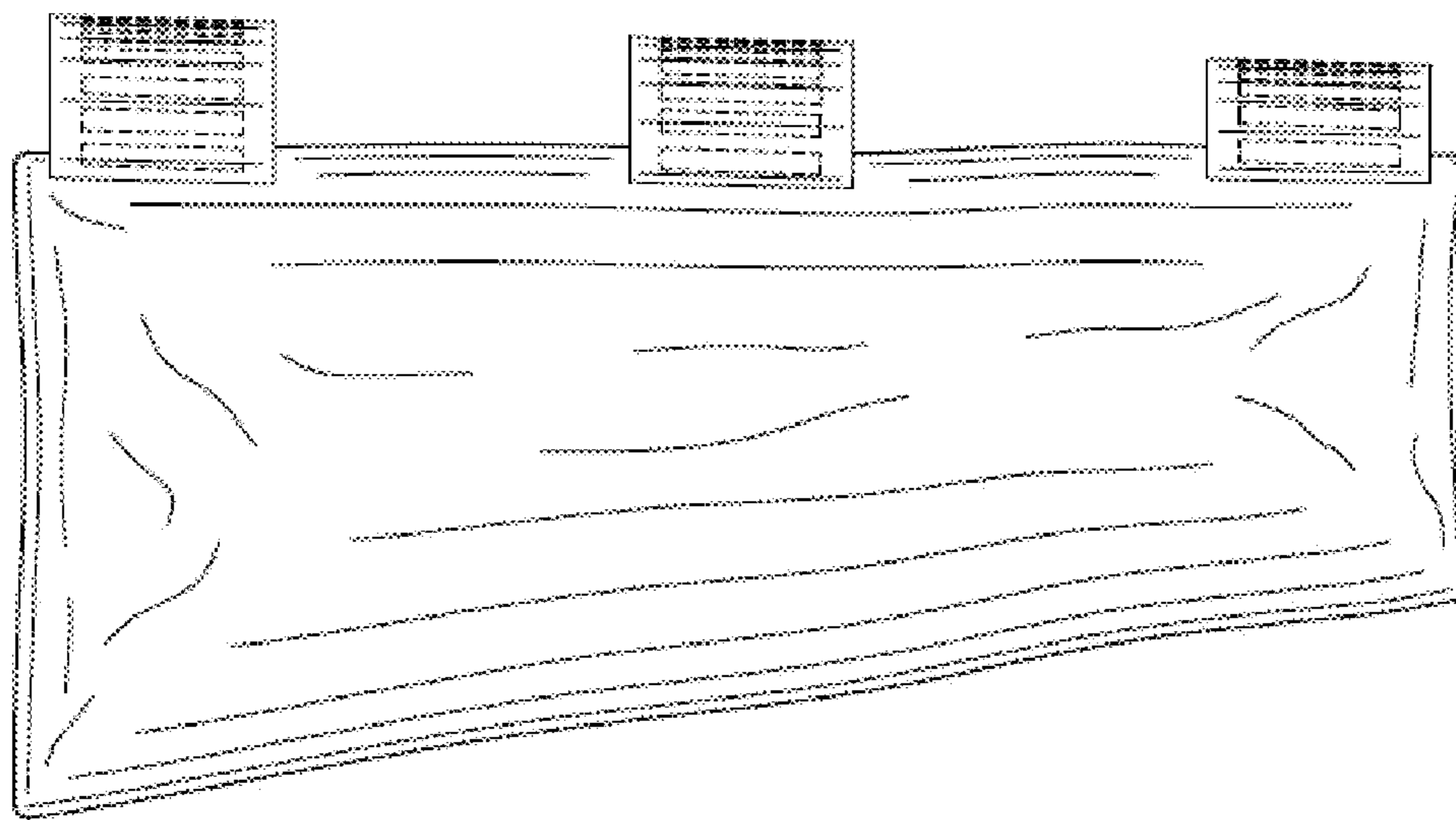


FIG. 7