



US00D711042S

(12) **United States Design Patent**
Kaizuka

(10) **Patent No.:** **US D711,042 S**

(45) **Date of Patent:** **** Aug. 12, 2014**

(54) **FOLDING ROLL BRUSH IRON**

(71) Applicant: **Create Co., Ltd.**, Fukuoka (JP)

(72) Inventor: **Kazutoshi Kaizuka**, Fukuoka (JP)

(73) Assignee: **Create Co., Ltd.**, Fukuoka (JP)

(**) Term: **14 Years**

(21) Appl. No.: **29/471,239**

(22) Filed: **Oct. 30, 2013**

(30) **Foreign Application Priority Data**

May 14, 2013 (JP) 2013-012277

(51) **LOC (10) Cl.** **28-03**

(52) **U.S. Cl.**
USPC **D28/35**

(58) **Field of Classification Search**
USPC D28/35, 37, 10; 219/222; 132/210, 211,
132/223-269, 271-272
See application file for complete search history.

(56) **References Cited**

U.S. PATENT DOCUMENTS

D455,861 S *	4/2002	McCurrach	D28/35
D511,862 S *	11/2005	Chan	D28/35
D516,747 S *	3/2006	Chan	D28/35
D536,827 S *	2/2007	Chan	D28/35
D648,893 S	11/2011	Kaizuka	
D650,942 S *	12/2011	Choi	D28/35
D670,027 S *	10/2012	Choi	D28/35
D694,952 S *	12/2013	Choi	D28/35

D698,994 S *	2/2014	Xu	D28/35
D705,483 S *	5/2014	Xu	D28/35
2004/0237990 A1 *	12/2004	Choi	132/224
2012/0247501 A1 *	10/2012	Choi	132/269

* cited by examiner

Primary Examiner — Jennifer Rivard

(74) *Attorney, Agent, or Firm* — Warner Norcross & Judd LLP

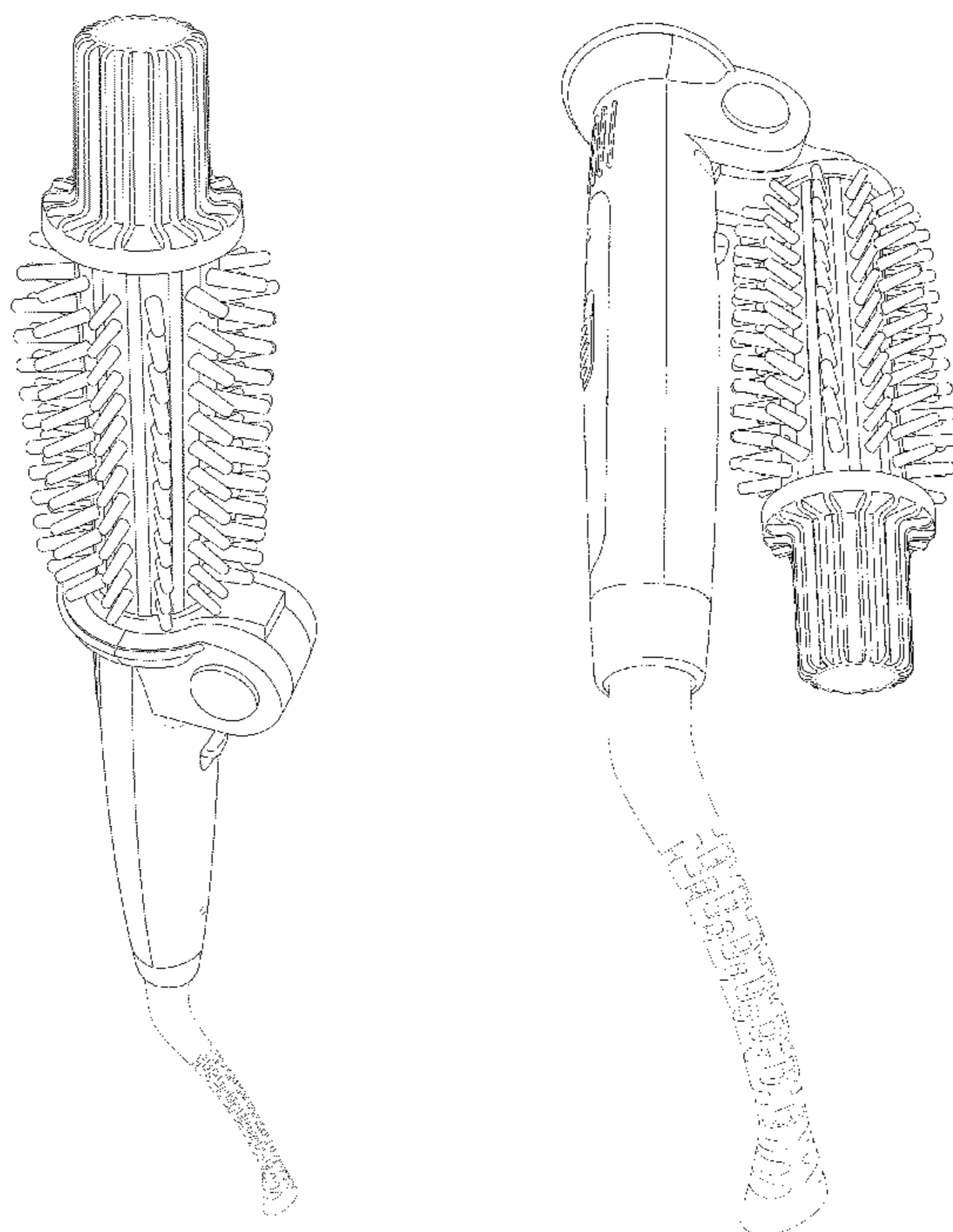
(57) **CLAIM**

The ornamental design for a folding roll brush iron, as shown and described.

DESCRIPTION

FIG. 1 is a perspective view of the folding roll brush iron in the operative position;
FIG. 2 is a side view thereof;
FIG. 3 is a bottom view thereof;
FIG. 4 is a top view thereof;
FIG. 5 is one end view thereof;
FIG. 6 is the other end view thereof;
FIG. 7 is a perspective view of the folding hair brush iron in the folded position;
FIG. 8 is a side view thereof;
FIG. 9 is a bottom view thereof;
FIG. 10 is a top view thereof;
FIG. 11 is one end view thereof; and,
FIG. 12 is the other end view thereof.
The broken lines illustrate a portion of the folding roll brush iron and form no part of the claimed design.

1 Claim, 8 Drawing Sheets



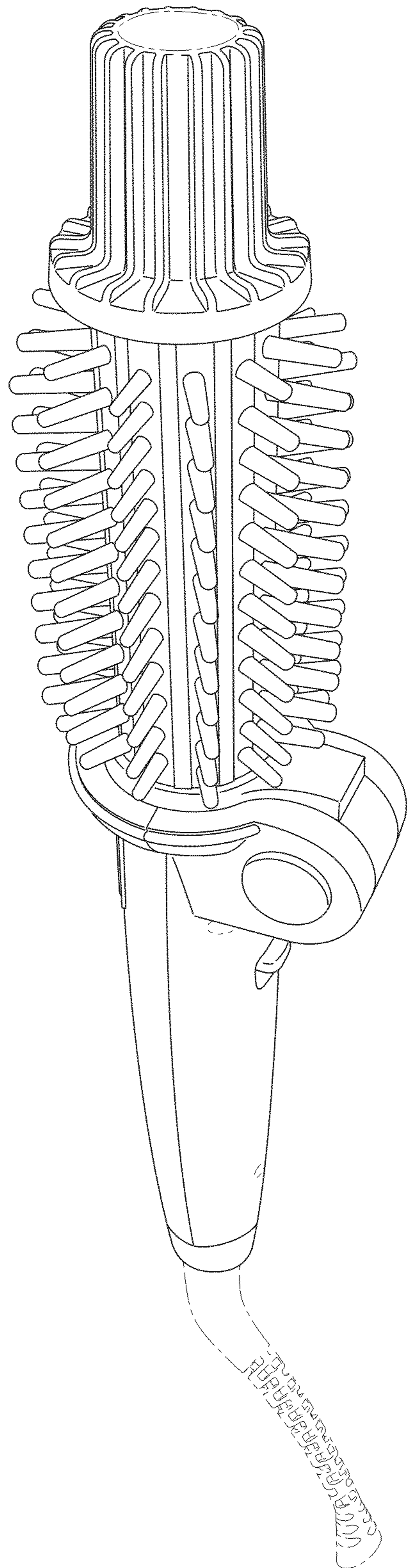


Fig. 1

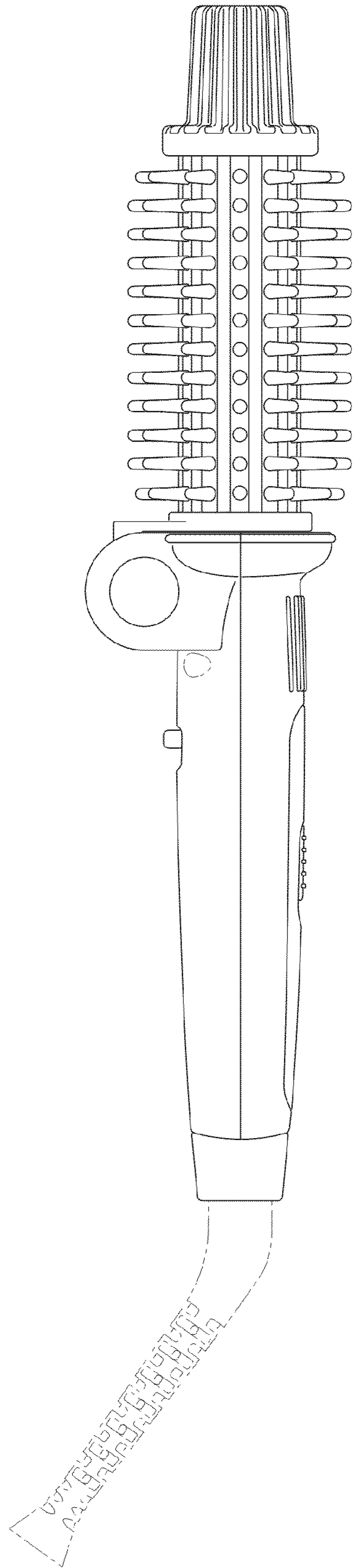


Fig. 2

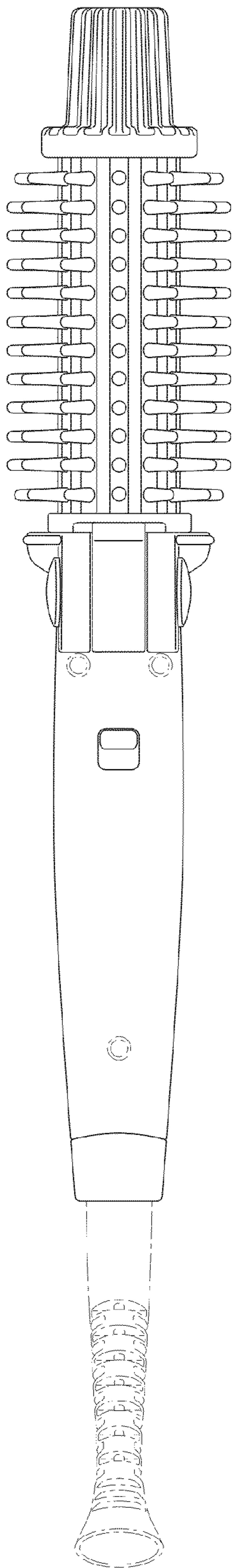


Fig. 3

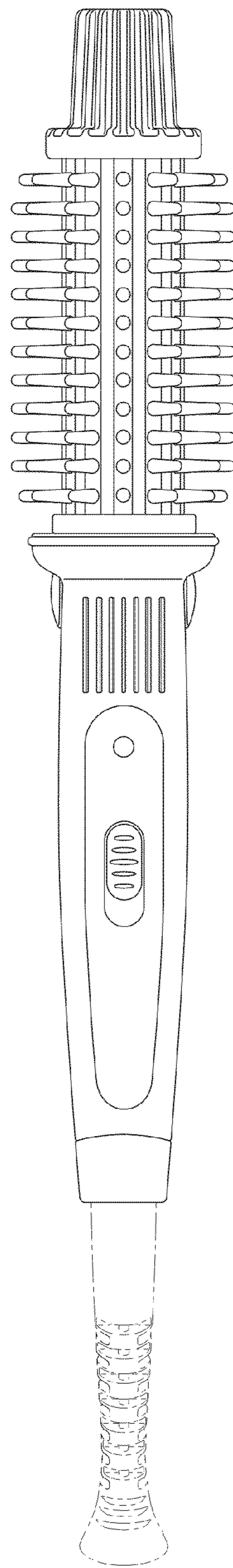


Fig. 4

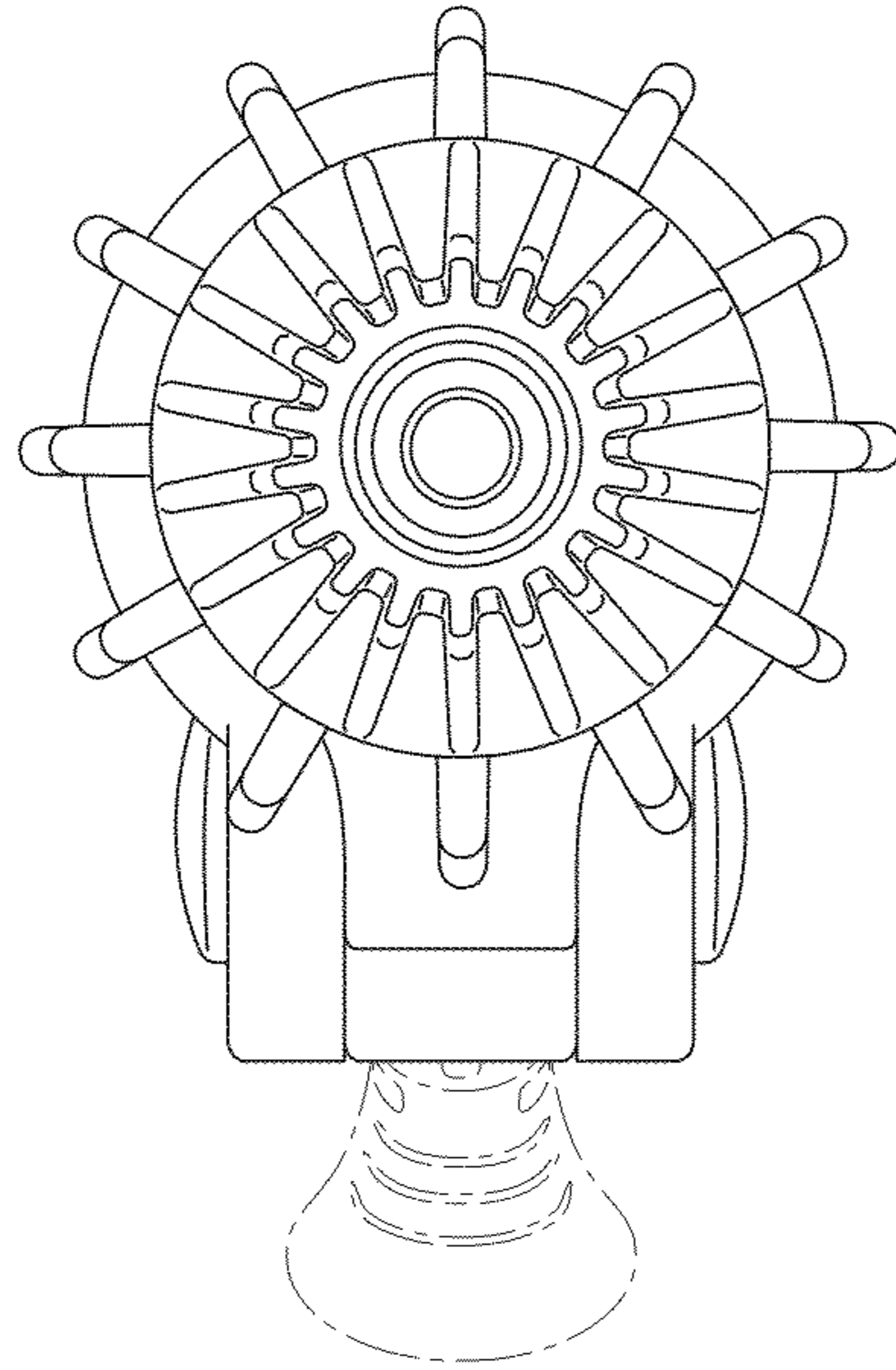


Fig. 5

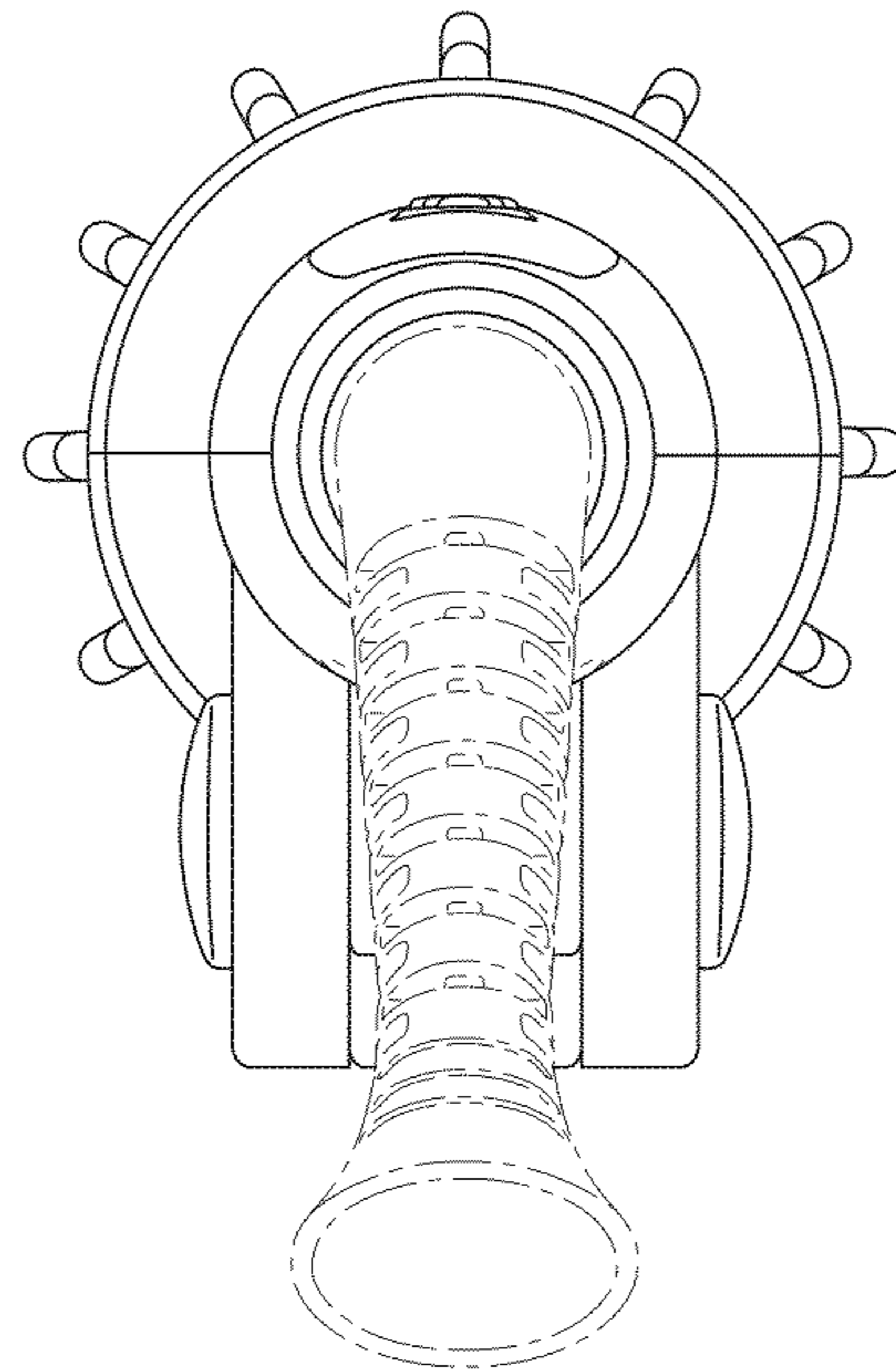


Fig. 6

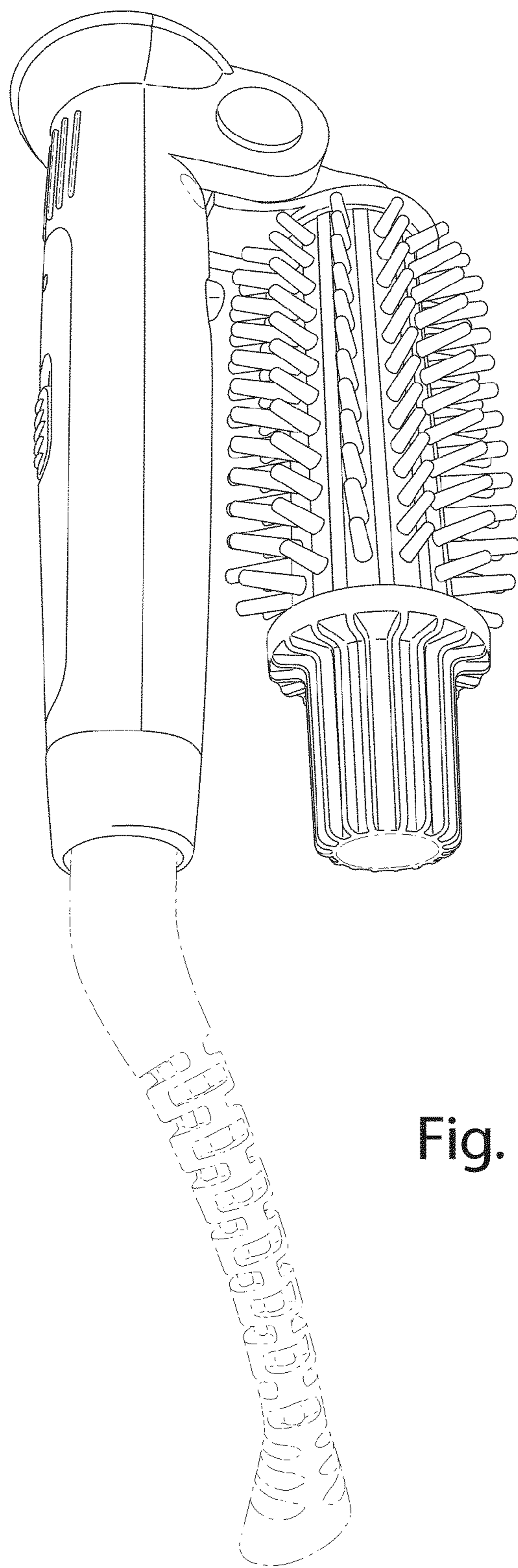


Fig. 7

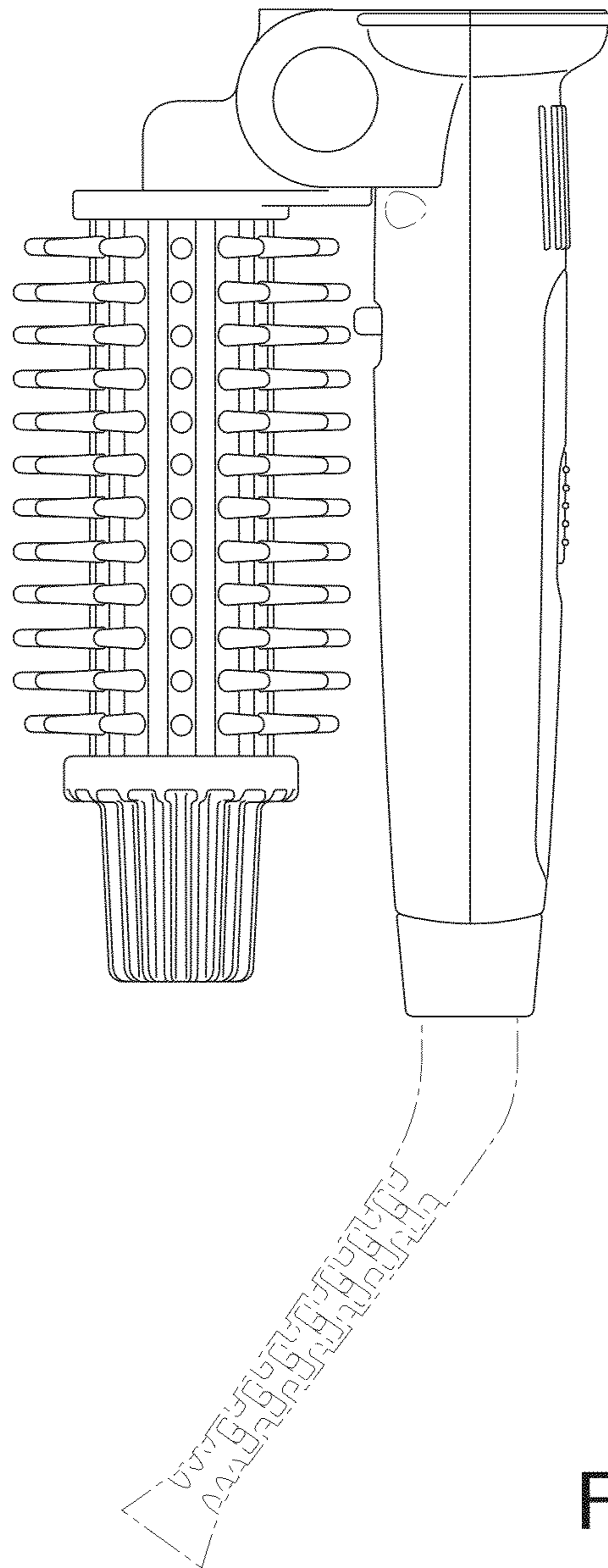


Fig. 8

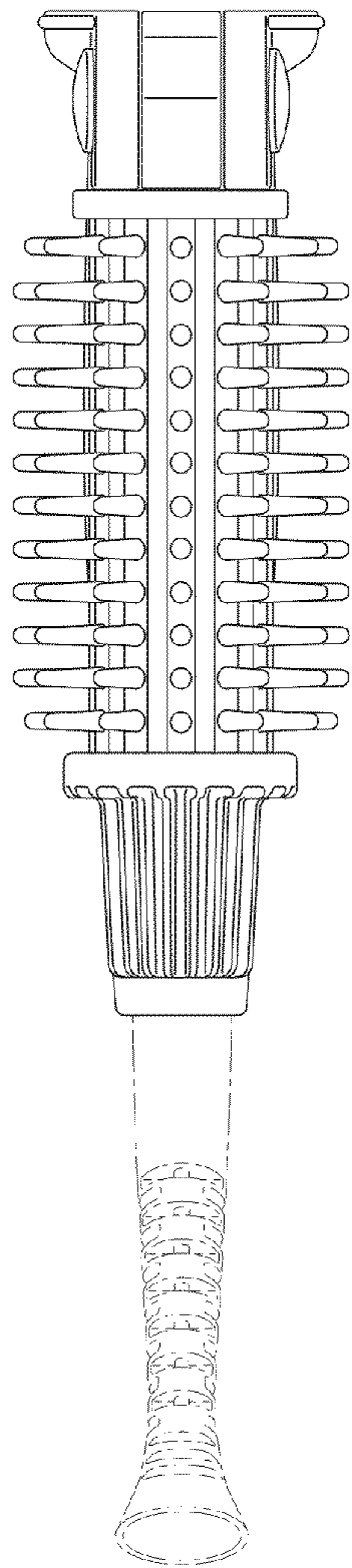


Fig. 9

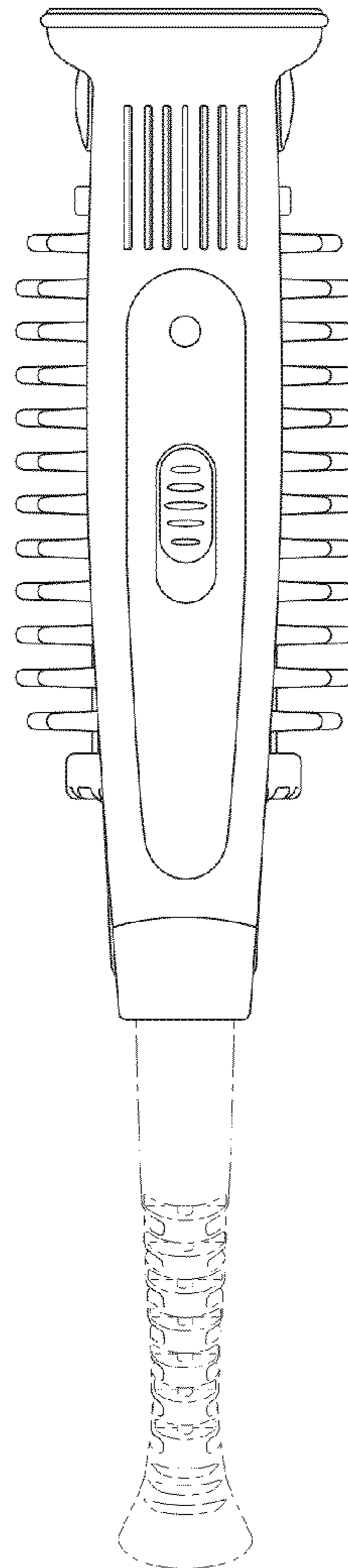


Fig. 10

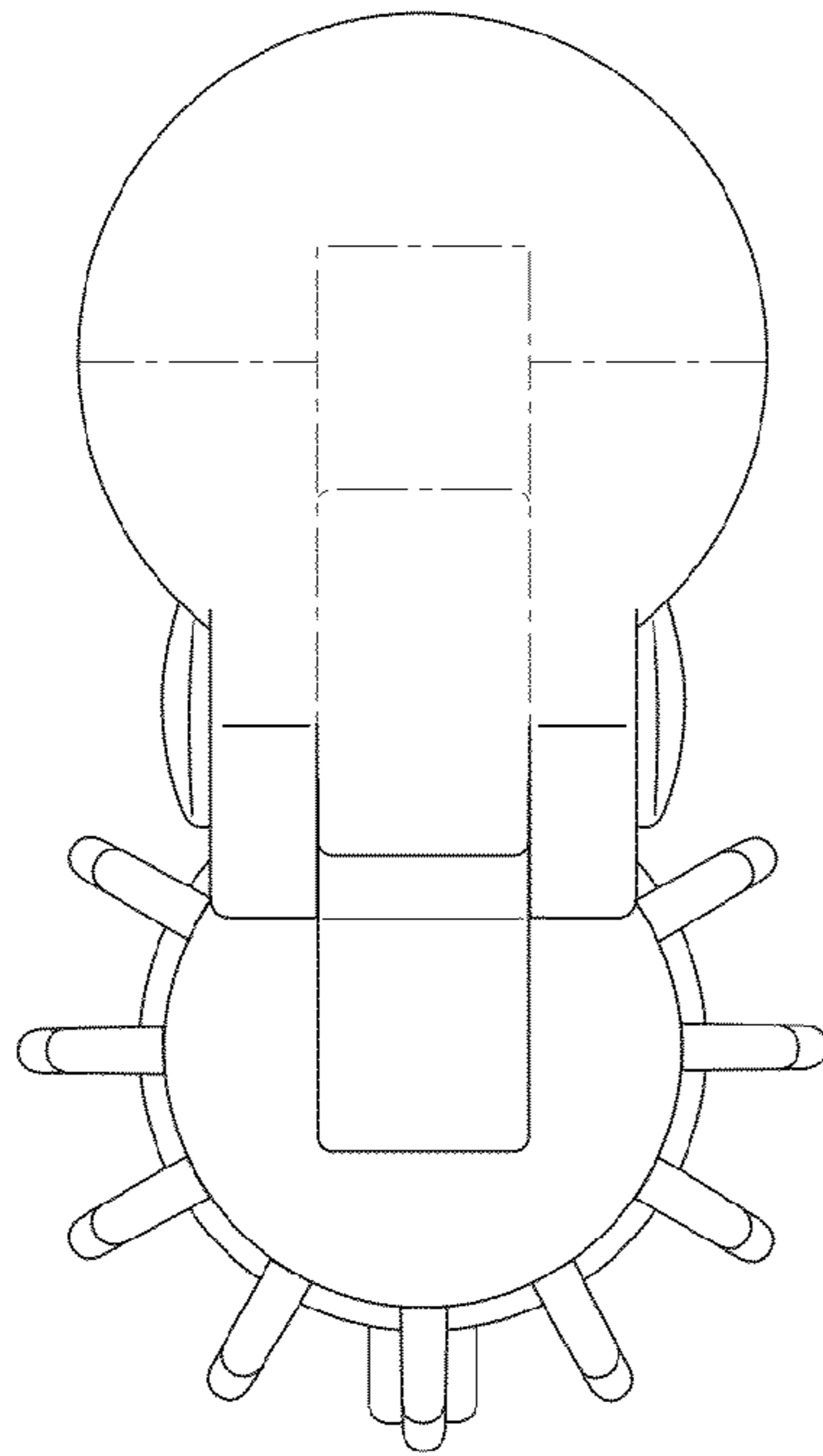


Fig. 11

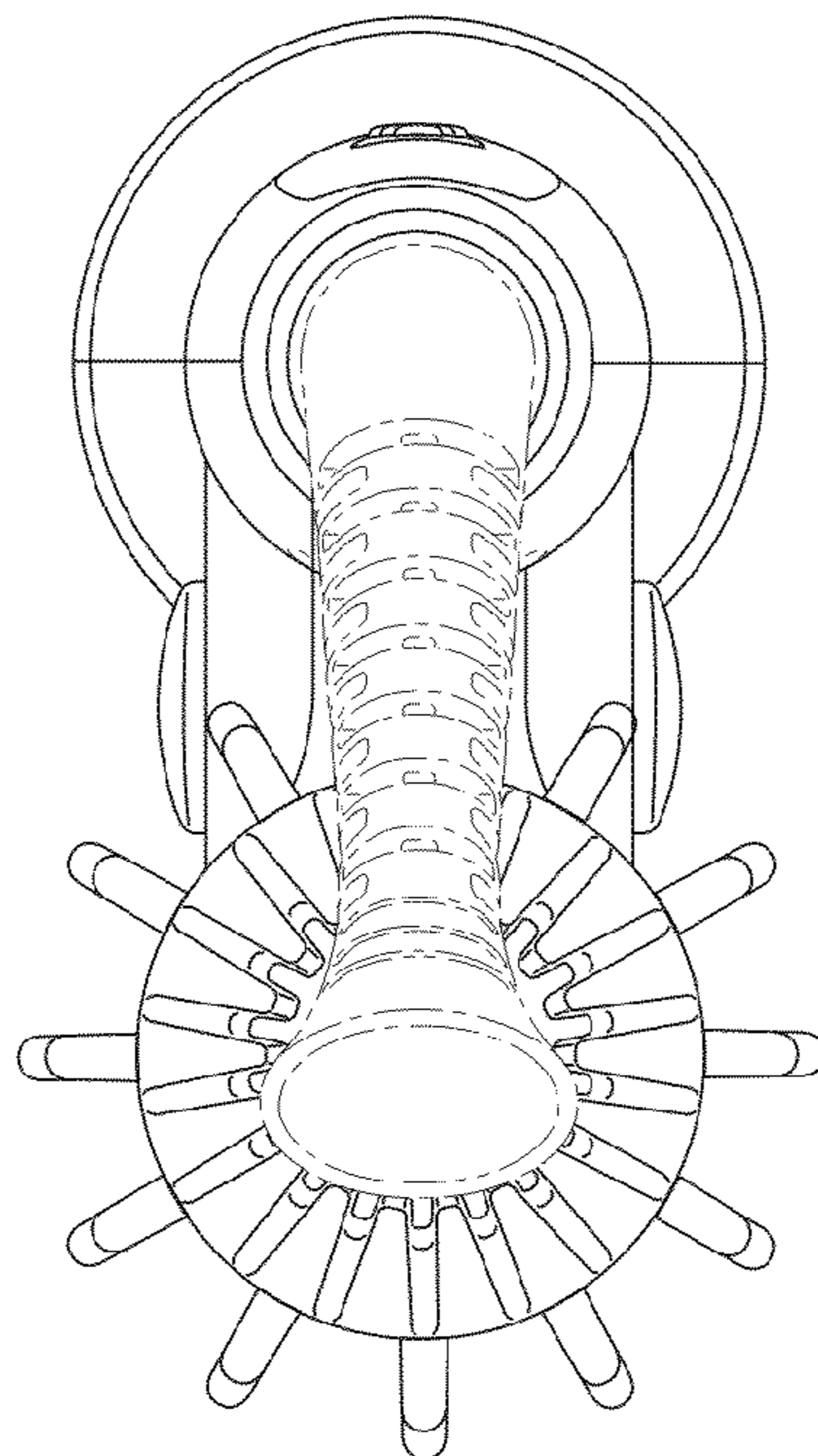


Fig. 12