



US00D711040S

(12) **United States Design Patent**
Huang et al.

(10) **Patent No.:** **US D711,040 S**

(45) **Date of Patent:** **** Aug. 12, 2014**

(54) **MODULAR LAMP**

(71) Applicant: **Radiant Opto-Electronics Corporation, Kaohsiung (TW)**

(72) Inventors: **Guo-Hao Huang, Kaohsiung (TW);
Shin-Hua Chu, Kaohsiung (TW);
Hui-Ching Hsueh, Kaohsiung (TW);
Wei-Chen Lin, Kaohsiung (TW)**

(73) Assignee: **Radiant Opto-Electronics Corporation, Kaohsiung (TW)**

(**) Term: **14 Years**

(21) Appl. No.: **29/483,073**

(22) Filed: **Feb. 25, 2014**

(30) **Foreign Application Priority Data**

Dec. 4, 2013 (TW) 102307821 U

(51) **LOC (10) Cl.** **26-99**

(52) **U.S. Cl.**
USPC **D26/120**

(58) **Field of Classification Search**
USPC D26/118, 119, 120, 64, 65, 72, 124,
D26/125, 138, 128, 132, 84, 85, 86, 87, 69,
D26/1, 2, 113, 134, 135, 89, 90, 24, 145,
D26/142, 74, 63, 88; 362/147, 364, 362,
362/365, 294, 249.03, 282, 275, 190, 341,
362/249.01; D13/179, 180
See application file for complete search history.

(56) **References Cited**

U.S. PATENT DOCUMENTS

4,263,639 A * 4/1981 Schacht 362/147
D313,669 S * 1/1991 Sonneman D26/109
D444,262 S * 6/2001 Eberlein et al. D26/118
D448,106 S * 9/2001 Lin D26/87
D455,223 S * 4/2002 Crosby D26/85

D457,540 S * 5/2002 Kieronski D16/130
D468,854 S * 1/2003 Chen D26/93
D477,105 S * 7/2003 Herst et al. D26/76
D555,440 S * 11/2007 Murray D8/1
D591,443 S * 4/2009 Beno et al. D26/88
D599,048 S * 8/2009 Xiao et al. D26/68
D606,231 S * 12/2009 Sabernig D26/85
D608,926 S * 1/2010 Xiao et al. D26/71
D608,935 S * 1/2010 Pedersen D26/85
D609,387 S * 2/2010 Compton D26/85
D622,892 S * 8/2010 Nicholas D26/88
D624,225 S * 9/2010 Federico et al. D26/63
D635,709 S * 4/2011 Federico et al. D26/84
D637,754 S * 5/2011 Baker et al. D26/118
D646,014 S * 9/2011 Hsieh D26/118
D656,267 S * 3/2012 Laporte D26/120
D656,502 S * 3/2012 Cacioppo et al. D14/453
D667,163 S * 9/2012 Blum et al. D26/118
D683,066 S * 5/2013 Myung D26/120
D698,967 S * 2/2014 Rangesh et al. D26/71

* cited by examiner

Primary Examiner — Kevin Rudzinski

(74) *Attorney, Agent, or Firm* — Shook Hardy & Bacon, LLP

(57) **CLAIM**

The ornamental design for modular lamp, as shown and described.

DESCRIPTION

FIG. 1 is a perspective view of modular lamp showing our new design;
FIG. 2 is a front elevational view thereof;
FIG. 3 is a rear elevational view thereof;
FIG. 4 is a left side elevational view thereof;
FIG. 5 is a right side elevational view thereof;
FIG. 6 is a top plan view thereof;
FIG. 7 is a bottom plan view thereof; and,
FIG. 8 to FIG. 15 are other perspective views thereof in use.
The portions shown in dashed line do not form part of the design.

1 Claim, 13 Drawing Sheets

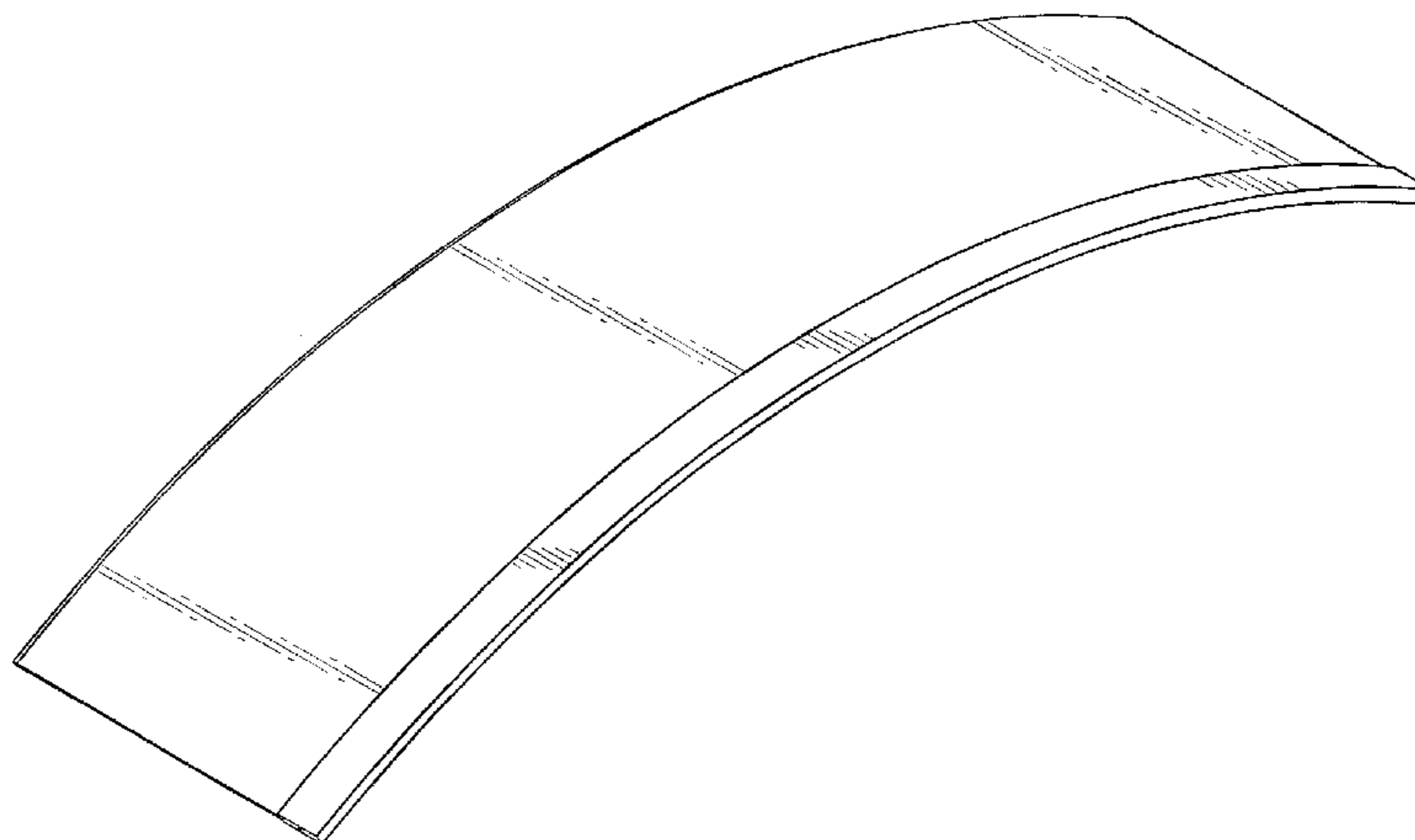




FIG.1

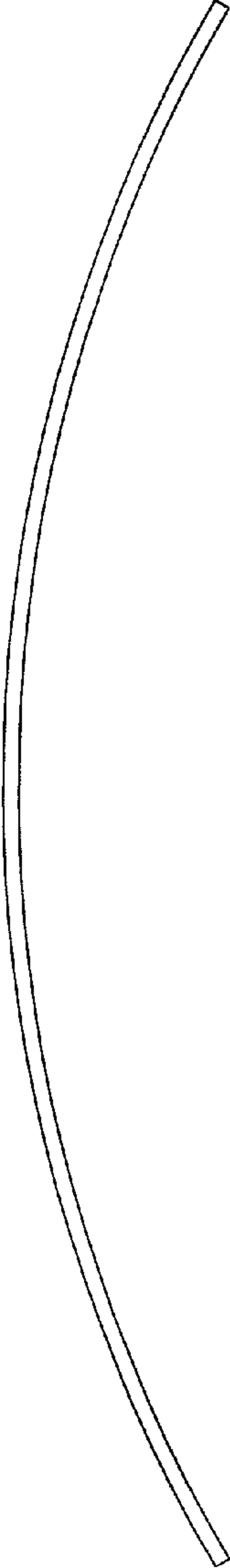


FIG. 2

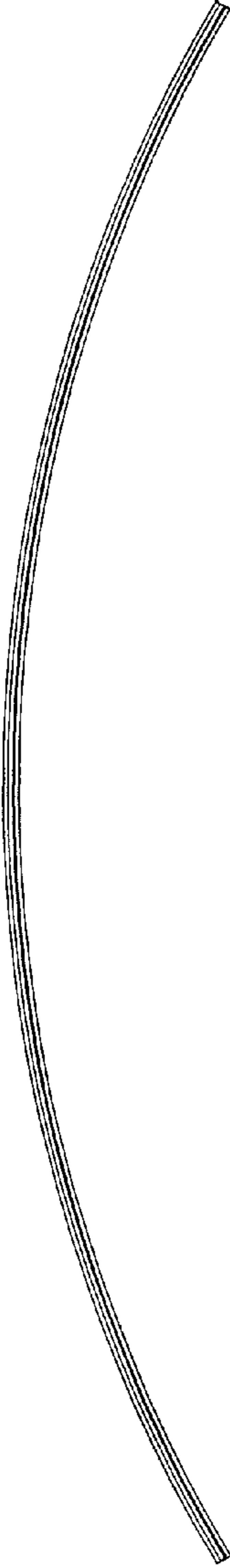


FIG. 3

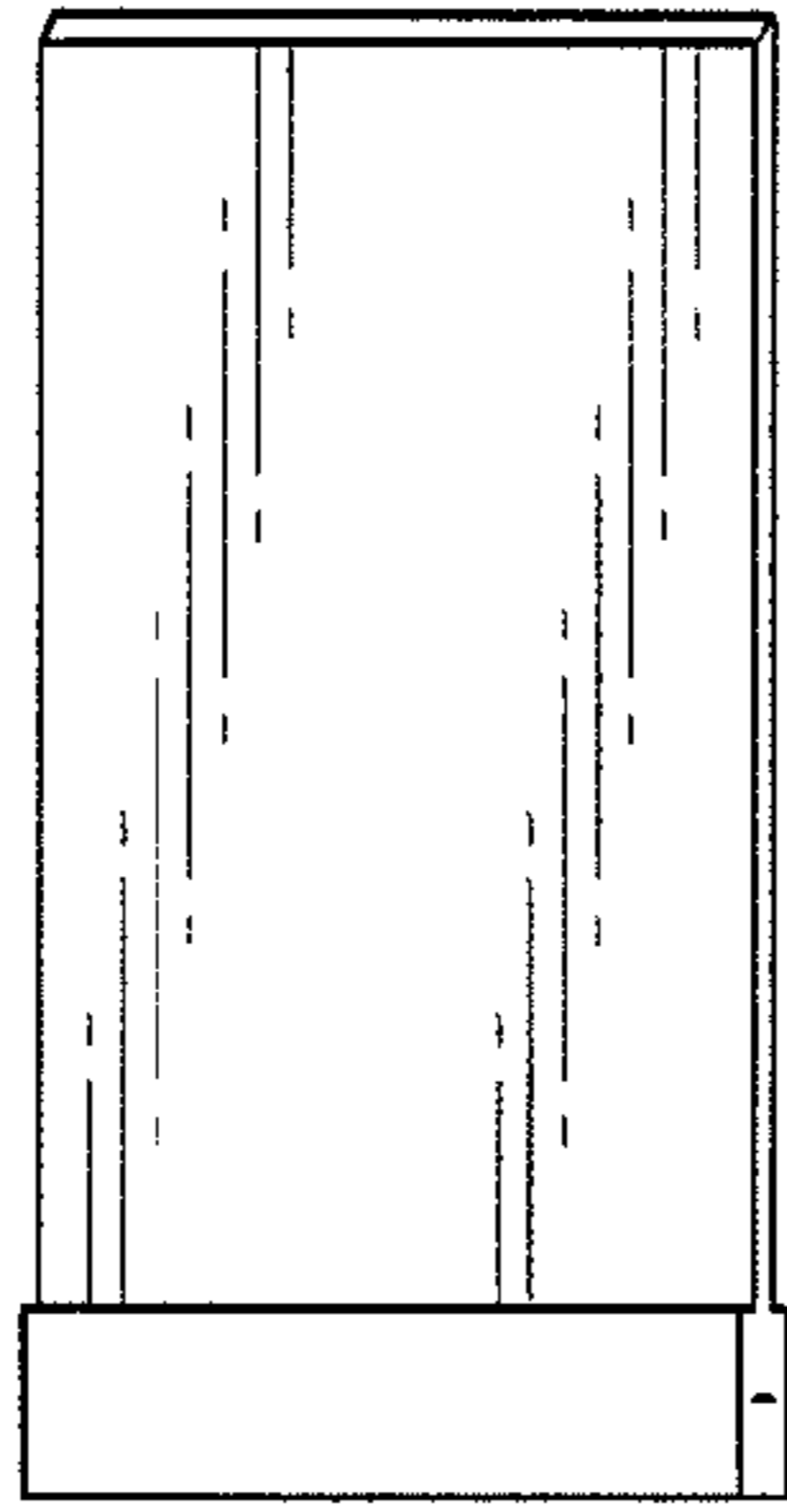


FIG.5

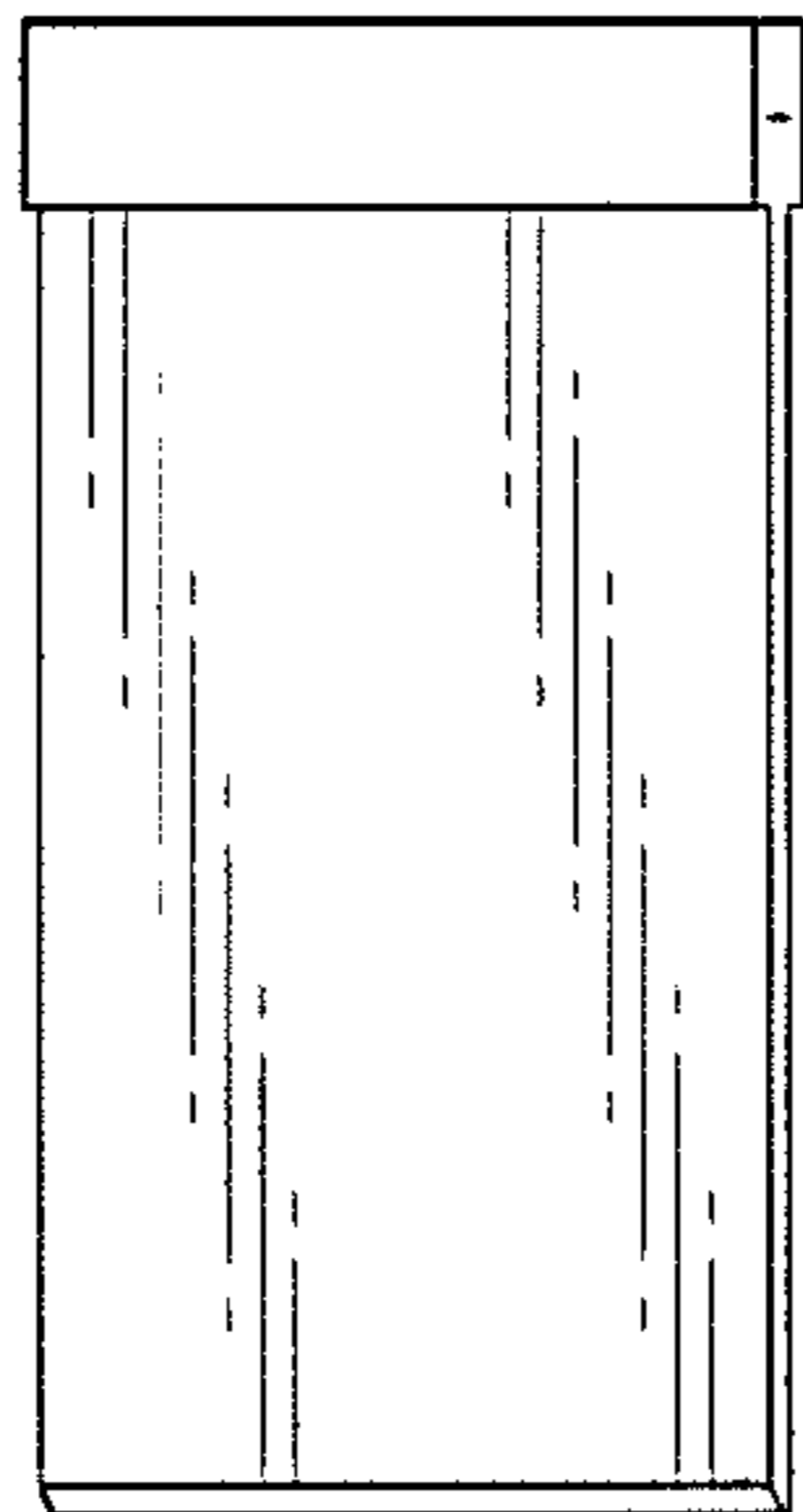


FIG.4

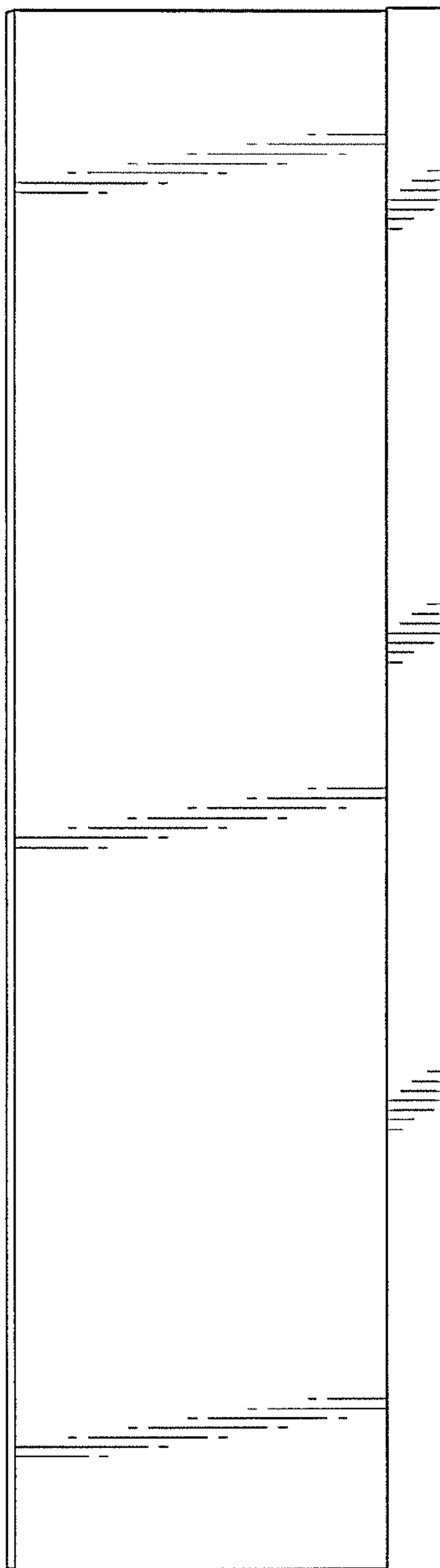


FIG.6

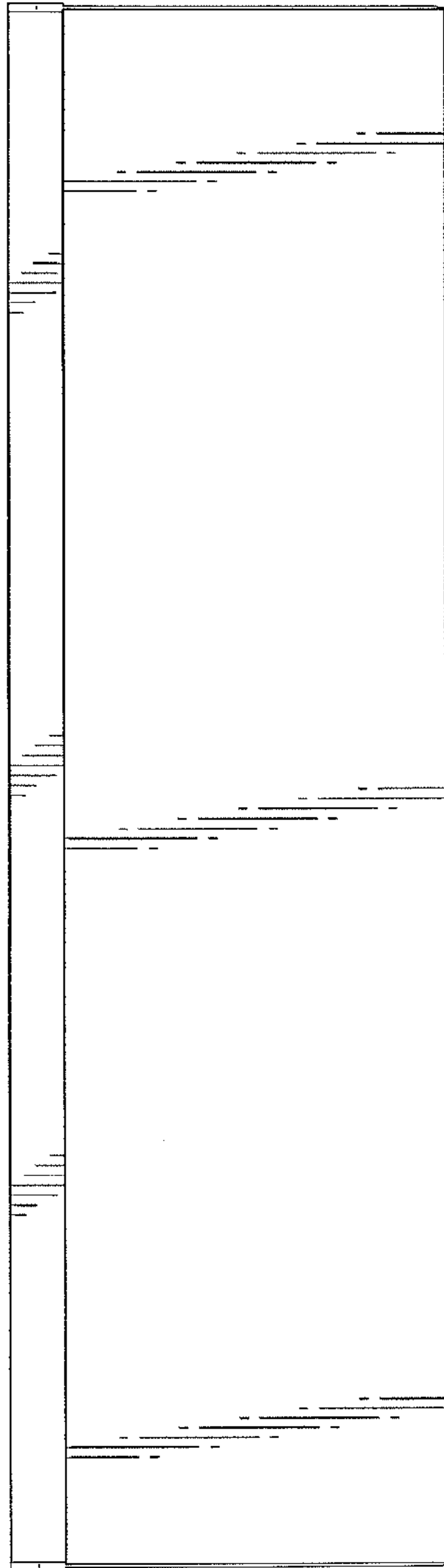


FIG. 7

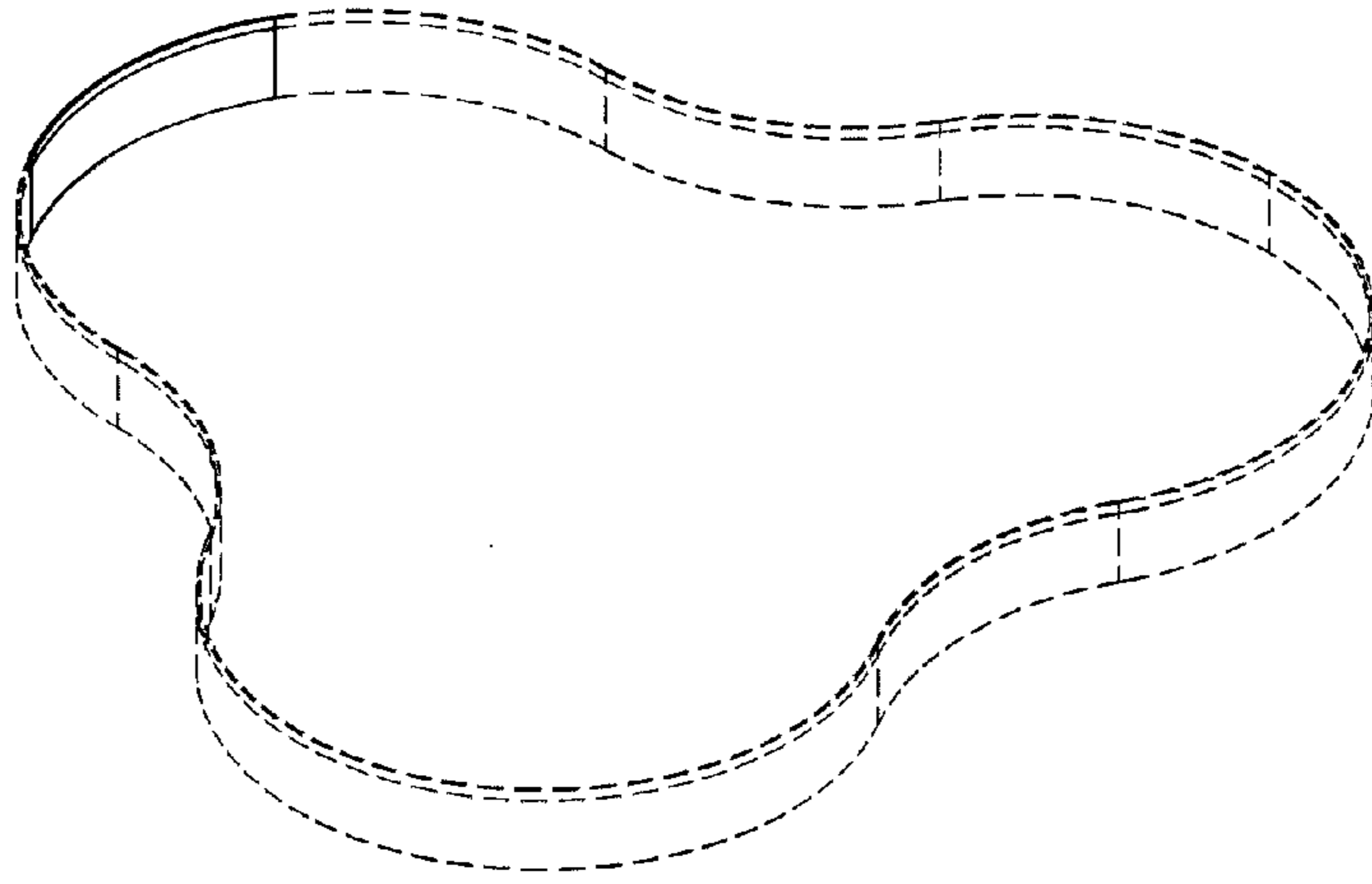


FIG. 8

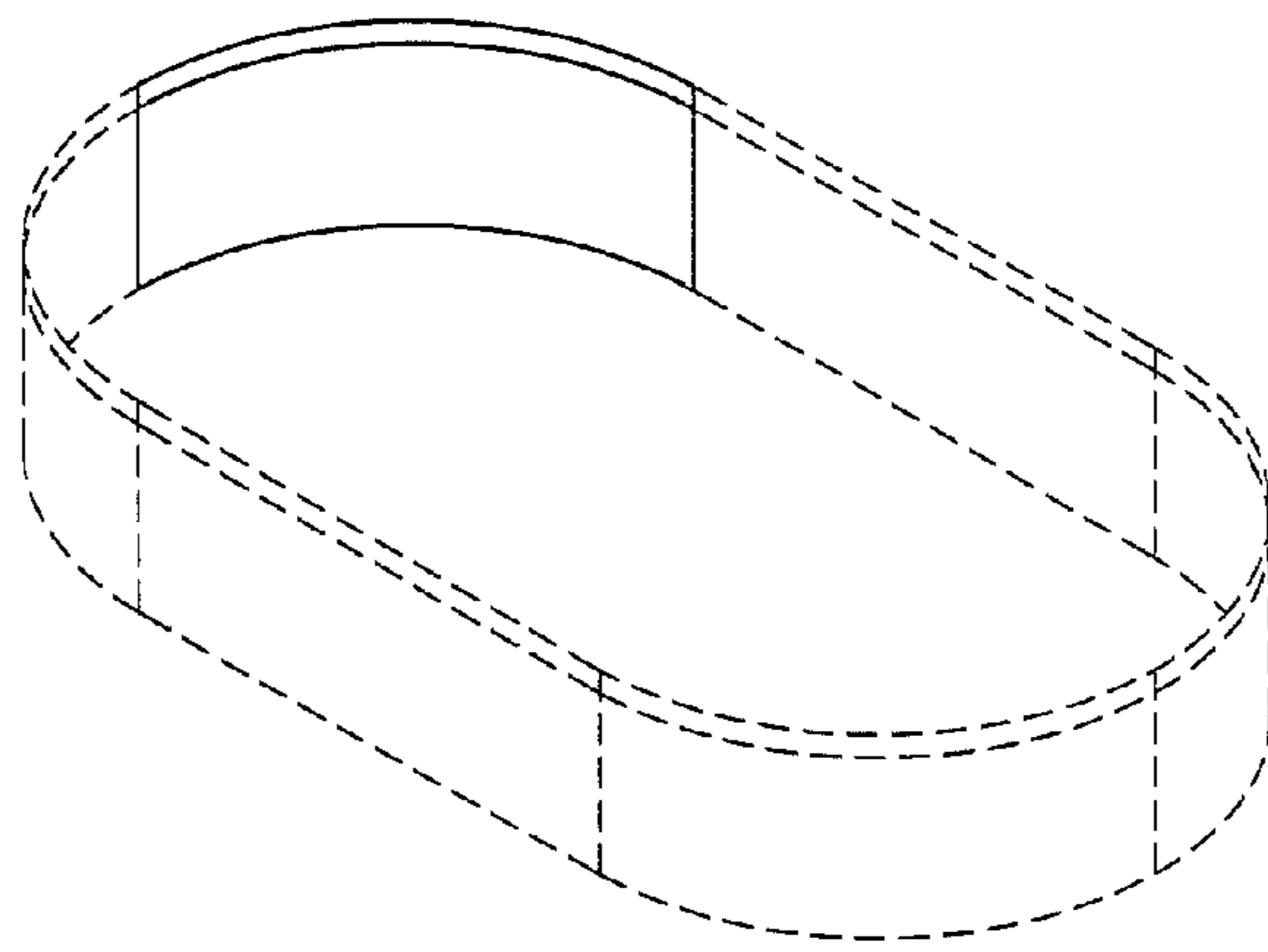


FIG.9

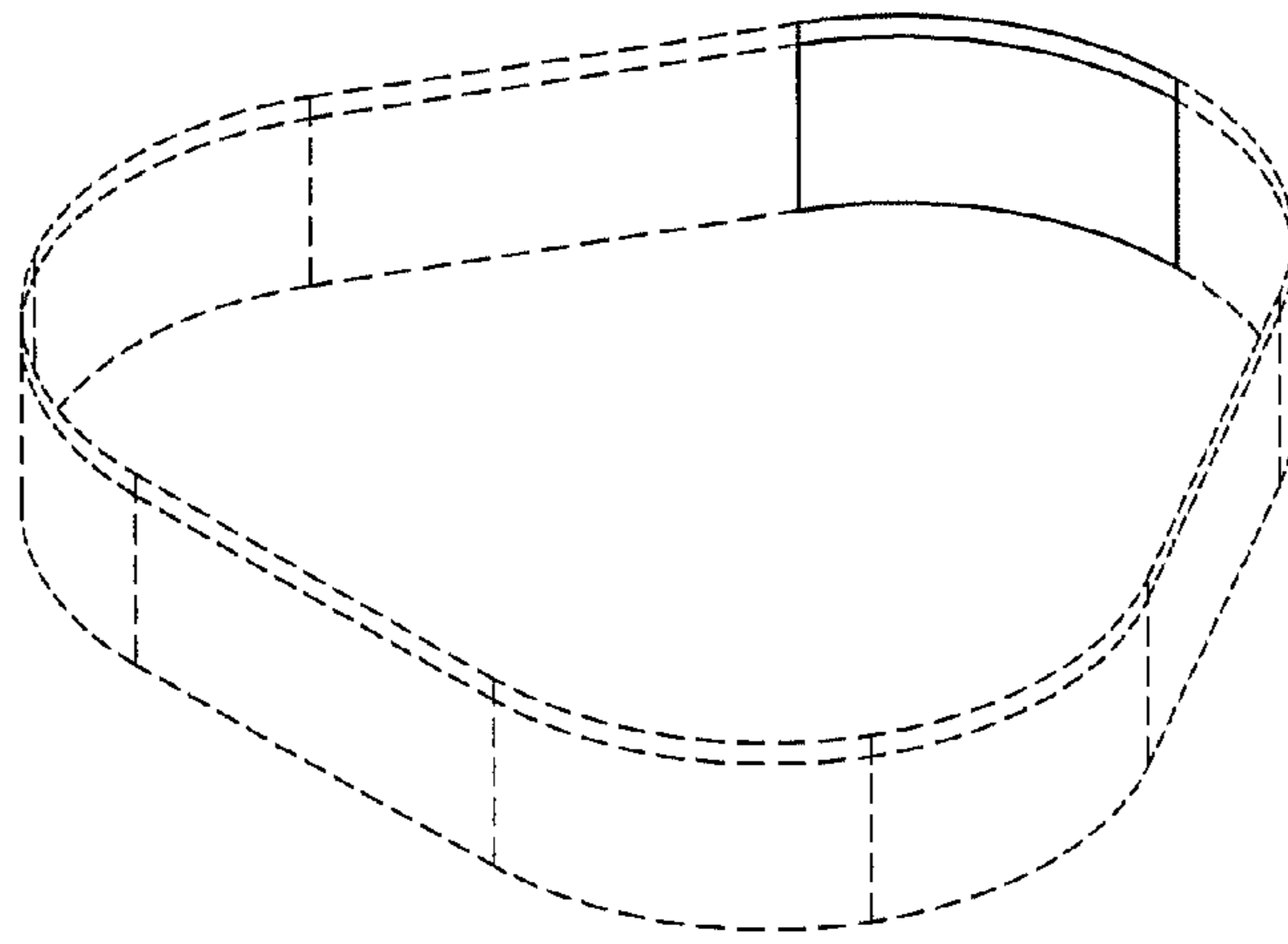


FIG.10

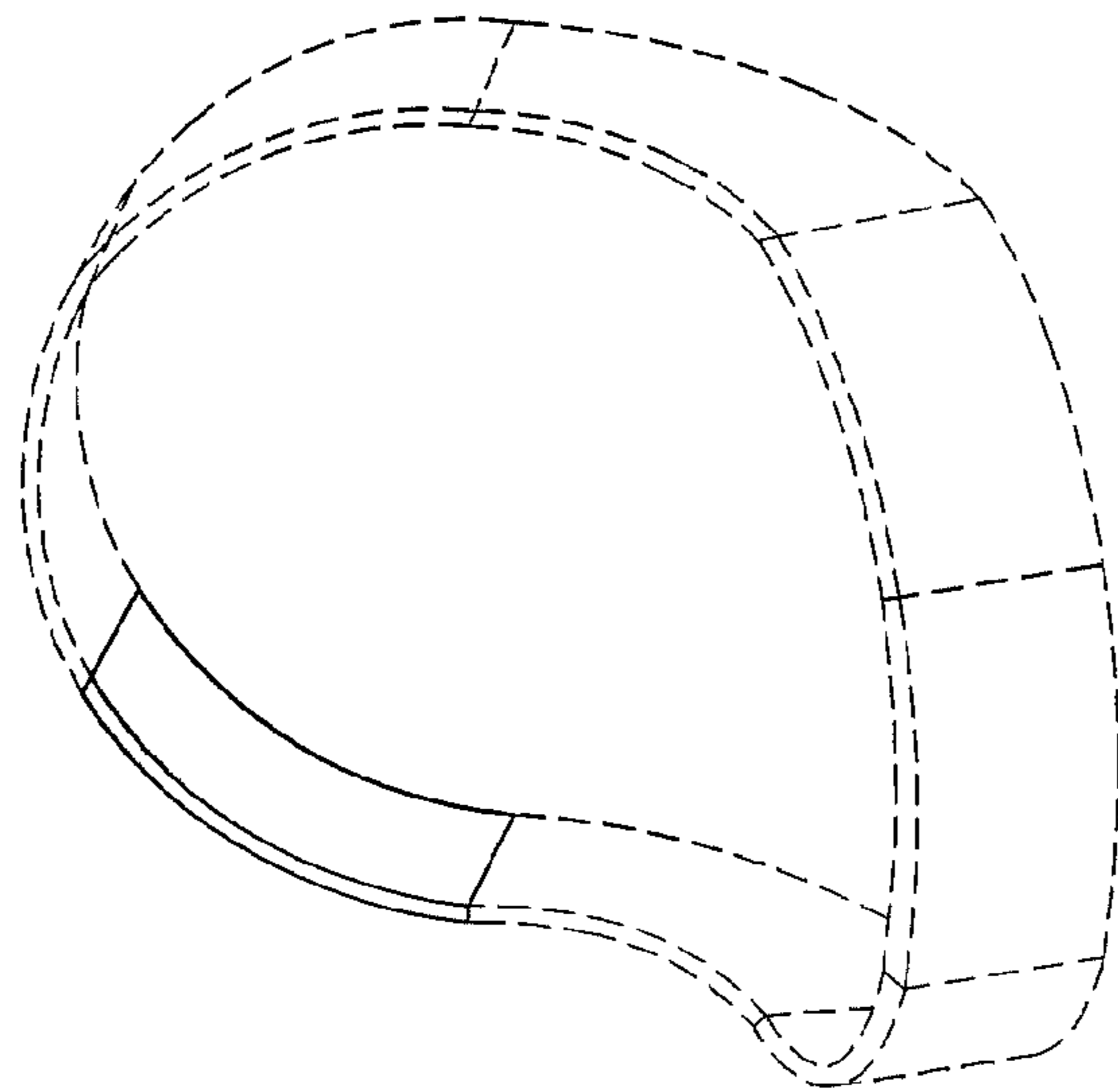


FIG. 11

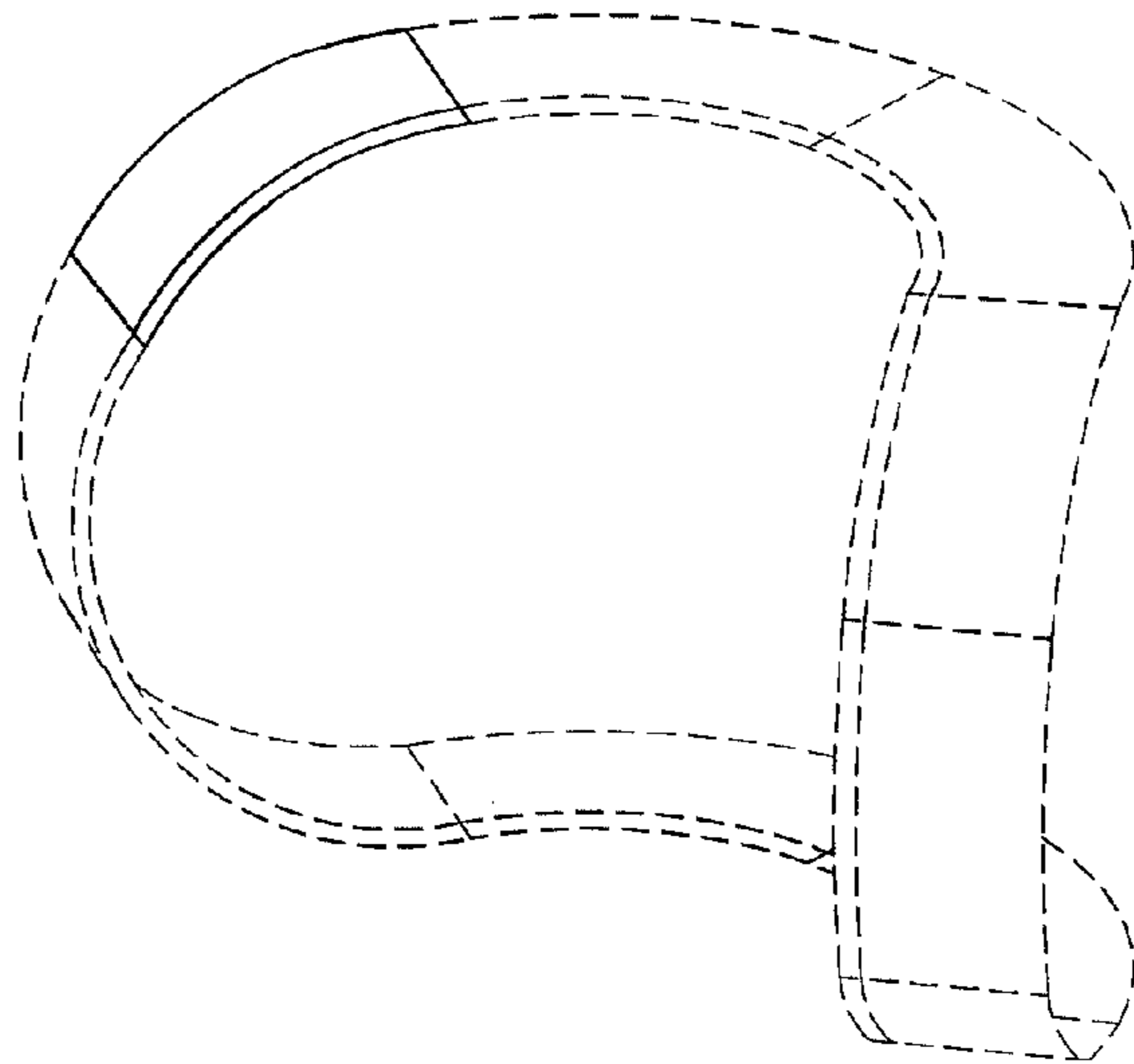


FIG.12

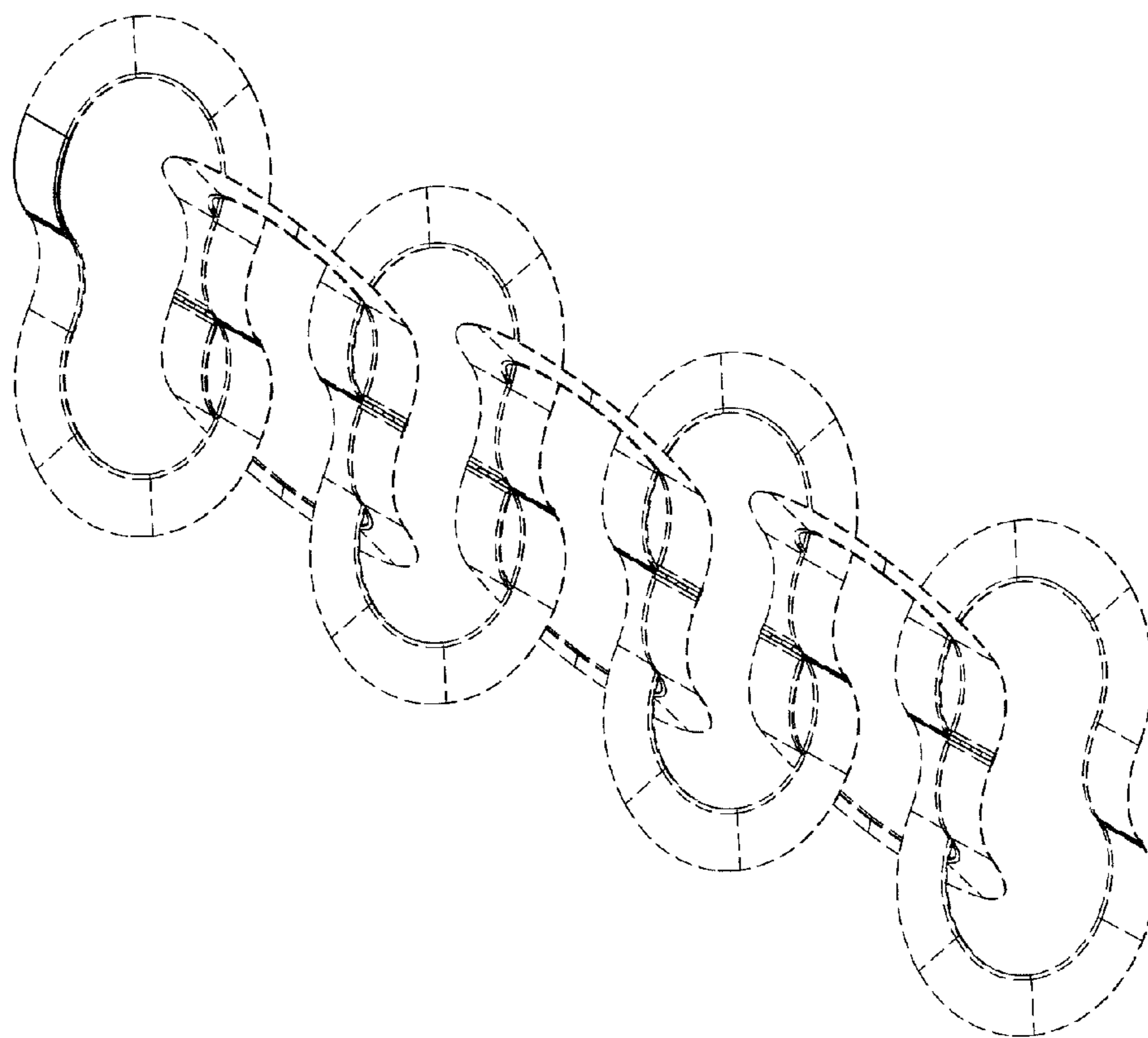


FIG.13

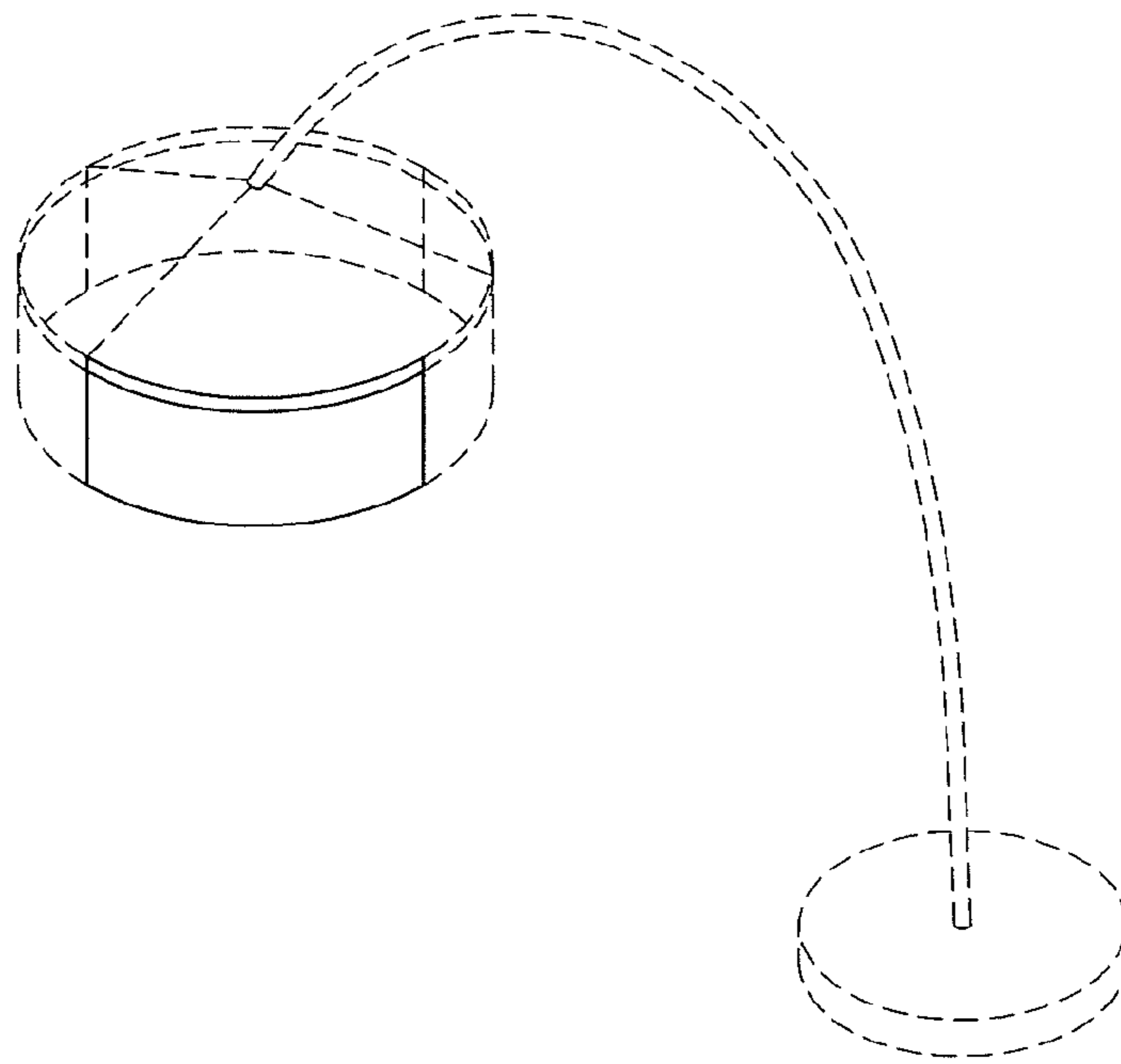


FIG.14

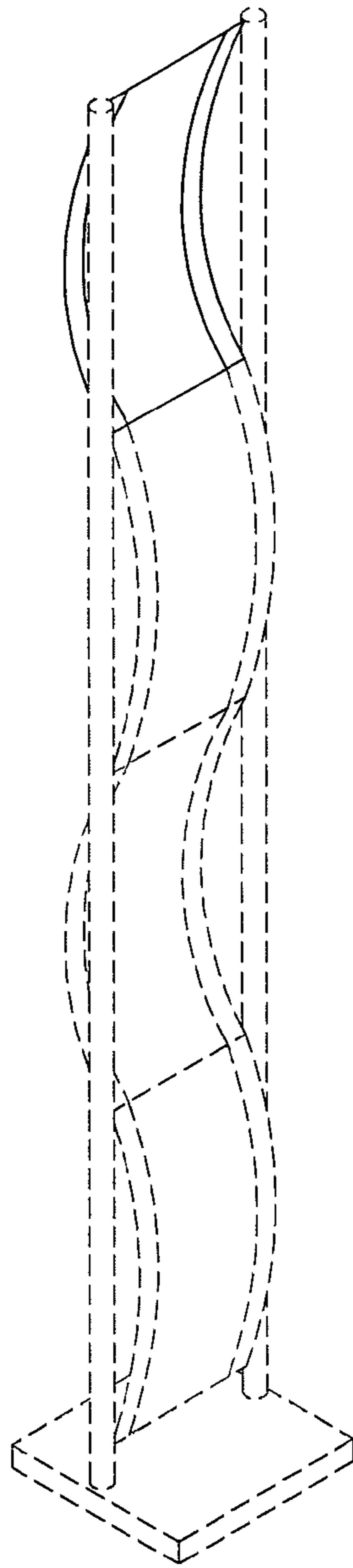


FIG.15