



US00D711039S

(12) **United States Design Patent**  
**Huang et al.**

(10) **Patent No.:** **US D711,039 S**

(45) **Date of Patent:** **\*\* Aug. 12, 2014**

(54) **MODULAR LAMP**

(71) Applicant: **Radiant Opto-Electronics Corporation, Kaohsiung (TW)**

(72) Inventors: **Guo-Hao Huang, Kaohsiung (TW);  
Shin-Hua Chu, Kaohsiung (TW);  
Hui-Ching Hsueh, Kaohsiung (TW);  
Wei-Chen Lin, Kaohsiung (TW)**

(73) Assignee: **Radiant Opto-Electronics Corporation, Kaohsiung (TW)**

(\*\*) Term: **14 Years**

(21) Appl. No.: **29/483,049**

(22) Filed: **Feb. 25, 2014**

(30) **Foreign Application Priority Data**

Dec. 4, 2013 (TW) ..... 102307820

(51) **LOC (10) Cl.** ..... **26-99**

(52) **U.S. Cl.**  
USPC ..... **D26/120**

(58) **Field of Classification Search**  
USPC ..... D26/118, 119, 120, 64, 65, 72, 124,  
D26/125, 138, 128, 132, 84, 85, 86, 87, 69,  
D26/62, 1, 2, 113, 134, 135, 89, 90, 24, 145,  
D26/142, 74, 63, 88; 362/147, 364, 362,  
362/365, 294, 249.03, 282, 275, 190, 341,  
362/249.01; D13/179, 180  
See application file for complete search history.

(56) **References Cited**

**U.S. PATENT DOCUMENTS**

4,263,639 A \* 4/1981 Schacht ..... 362/147  
D313,669 S \* 1/1991 Sonneman ..... D26/109  
D444,262 S \* 6/2001 Eberlein et al. .... D26/118  
D448,106 S \* 9/2001 Lin ..... D26/87  
D455,223 S \* 4/2002 Crosby ..... D26/85

D457,540 S \* 5/2002 Kieronski ..... D16/130  
D468,854 S \* 1/2003 Chen ..... D26/93  
D477,105 S \* 7/2003 Herst et al. .... D26/76  
D555,440 S \* 11/2007 Murray ..... D8/1  
D591,443 S \* 4/2009 Beno et al. .... D26/88  
D599,048 S \* 8/2009 Xiao et al. .... D26/68  
D606,231 S \* 12/2009 Sabernig ..... D26/85  
D608,926 S \* 1/2010 Xiao et al. .... D26/71  
D608,935 S \* 1/2010 Pedersen ..... D26/85  
D609,387 S \* 2/2010 Compton ..... D26/85  
D622,892 S \* 8/2010 Nicholas ..... D26/88

(Continued)

*Primary Examiner* — Kevin Rudzinski

(74) *Attorney, Agent, or Firm* — Shook Hardy & Bacon, LLP

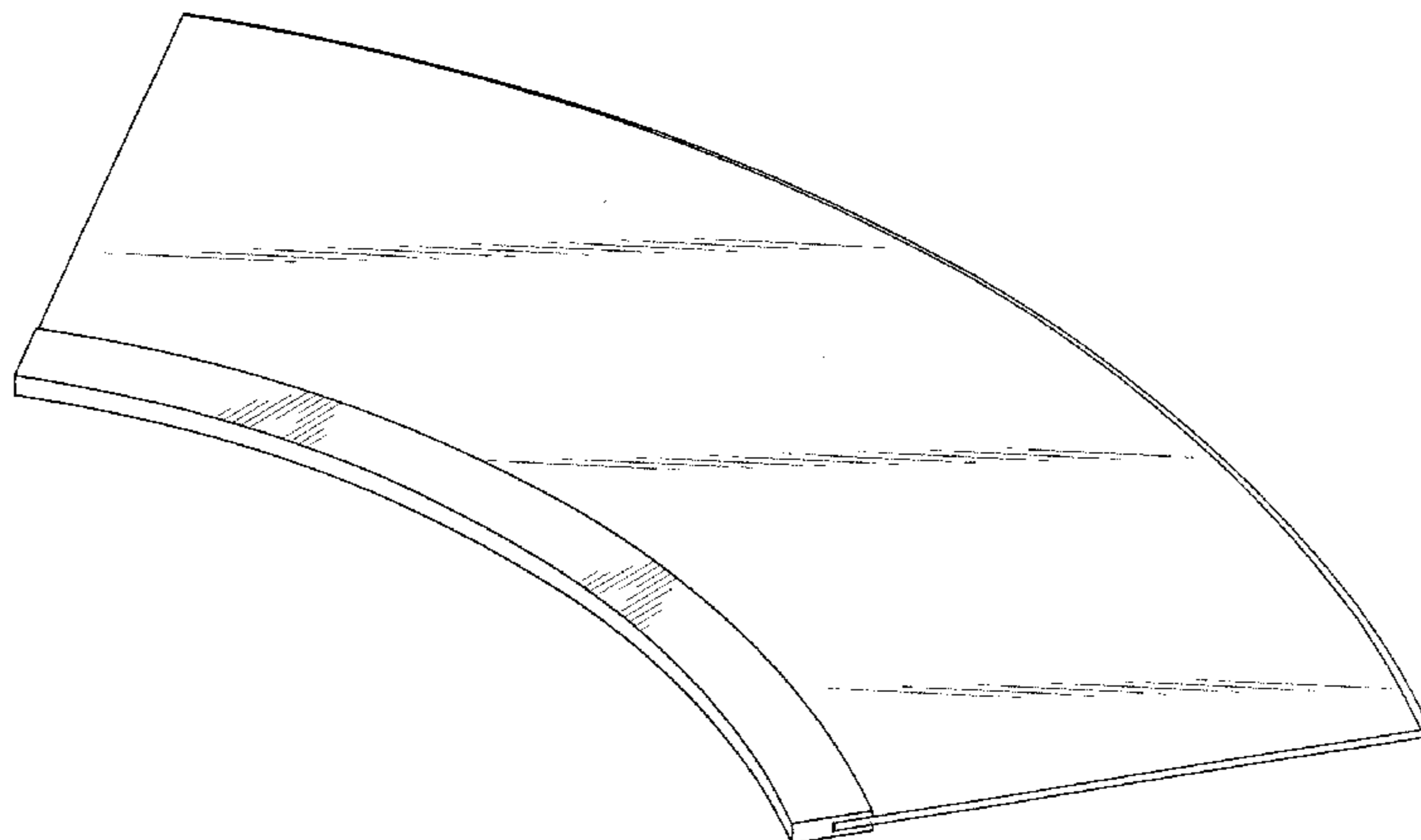
(57) **CLAIM**

The ornamental design for modular lamp, as shown and described.

**DESCRIPTION**

FIG. 1 is a perspective view of modular lamp showing our new design;  
FIG. 2 is a front elevational view thereof;  
FIG. 3 is a rear elevational view thereof;  
FIG. 4 is a left side elevational view thereof;  
FIG. 5 is a right side elevational view thereof;  
FIG. 6 is a top plan view thereof;  
FIG. 7 is a bottom plan view thereof;  
FIG. 8 is another rear elevational and perspective view thereof in use;  
FIG. 9 is a perspective view thereof in use;  
FIG. 10 is another perspective view thereof in use;  
FIG. 11 is another top plan view thereof in use;  
FIG. 12 is another top plan view thereof in use;  
FIG. 13 is another top plan view thereof in use; and,  
FIG. 14 is another perspective view thereof in use.  
The portions shown in dashed line do not form part of the design.

**1 Claim, 12 Drawing Sheets**



(56)

**References Cited**

U.S. PATENT DOCUMENTS

D624,225 S \* 9/2010 Federico et al. .... D26/63  
D635,709 S \* 4/2011 Federico et al. .... D26/84  
D637,754 S \* 5/2011 Baker et al. .... D26/118  
D646,014 S \* 9/2011 Hsieh ..... D26/118

D656,267 S \* 3/2012 Laporte ..... D26/120  
D656,502 S \* 3/2012 Cacioppo et al. .... D14/453  
D667,163 S \* 9/2012 Blum et al. .... D26/118  
D683,066 S \* 5/2013 Myung ..... D26/120  
D698,967 S \* 2/2014 Rangesh et al. .... D26/71

\* cited by examiner

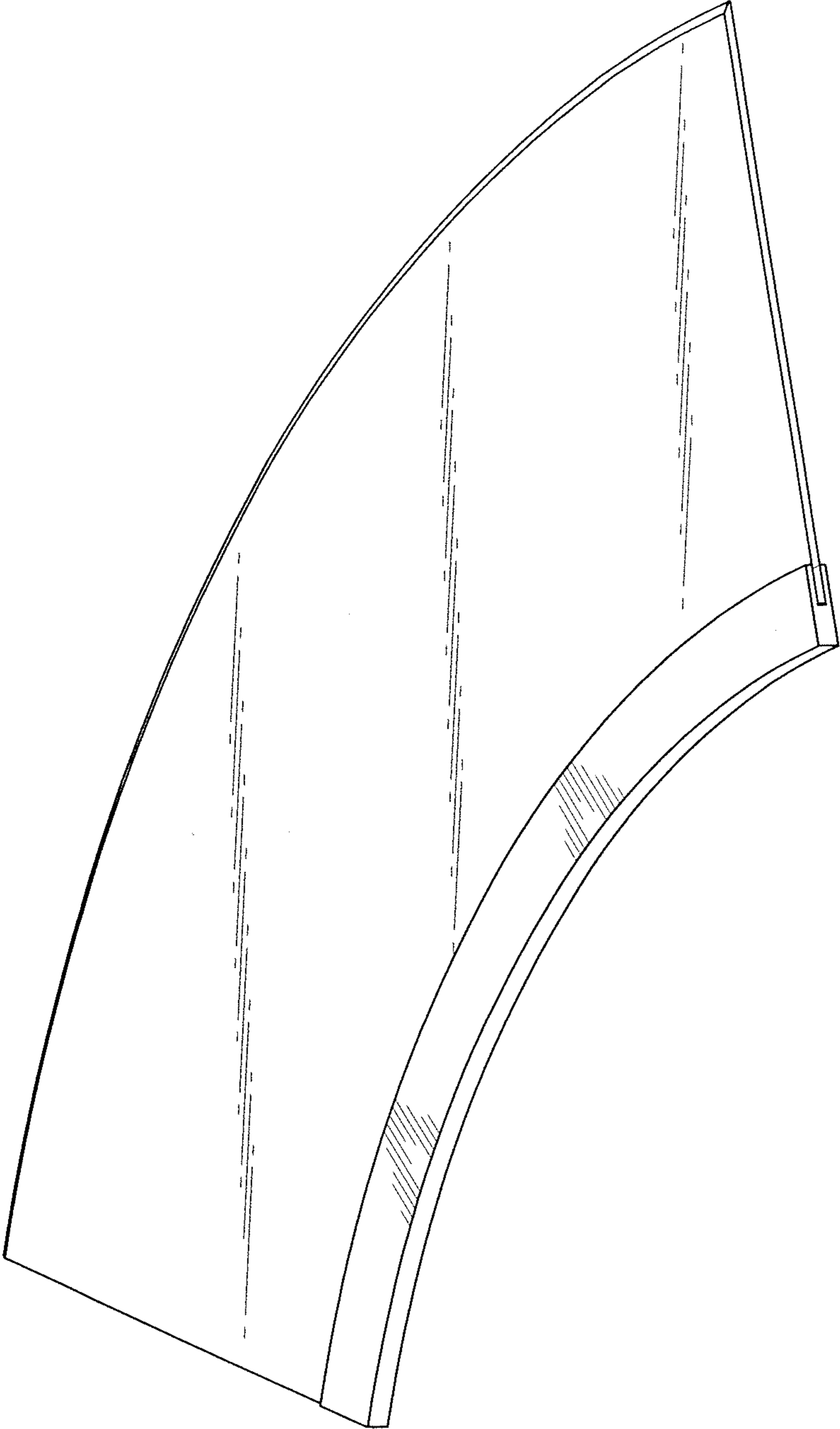


FIG.1



FIG. 2



FIG. 3



FIG. 4

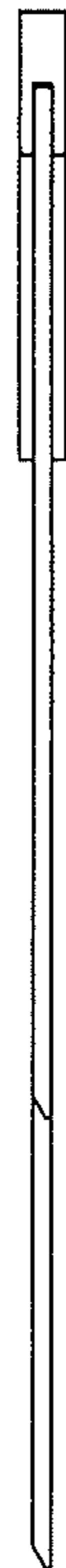


FIG. 5

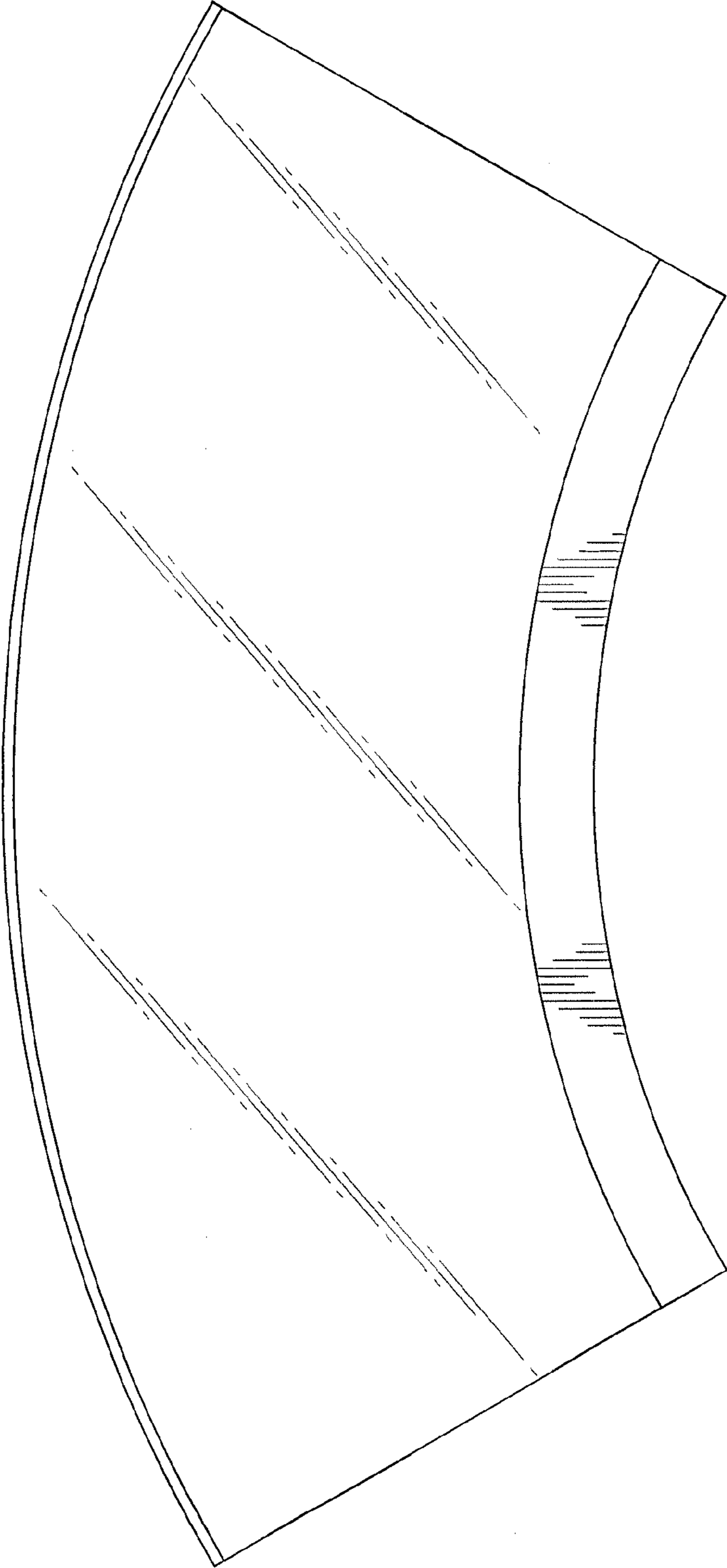


FIG.6

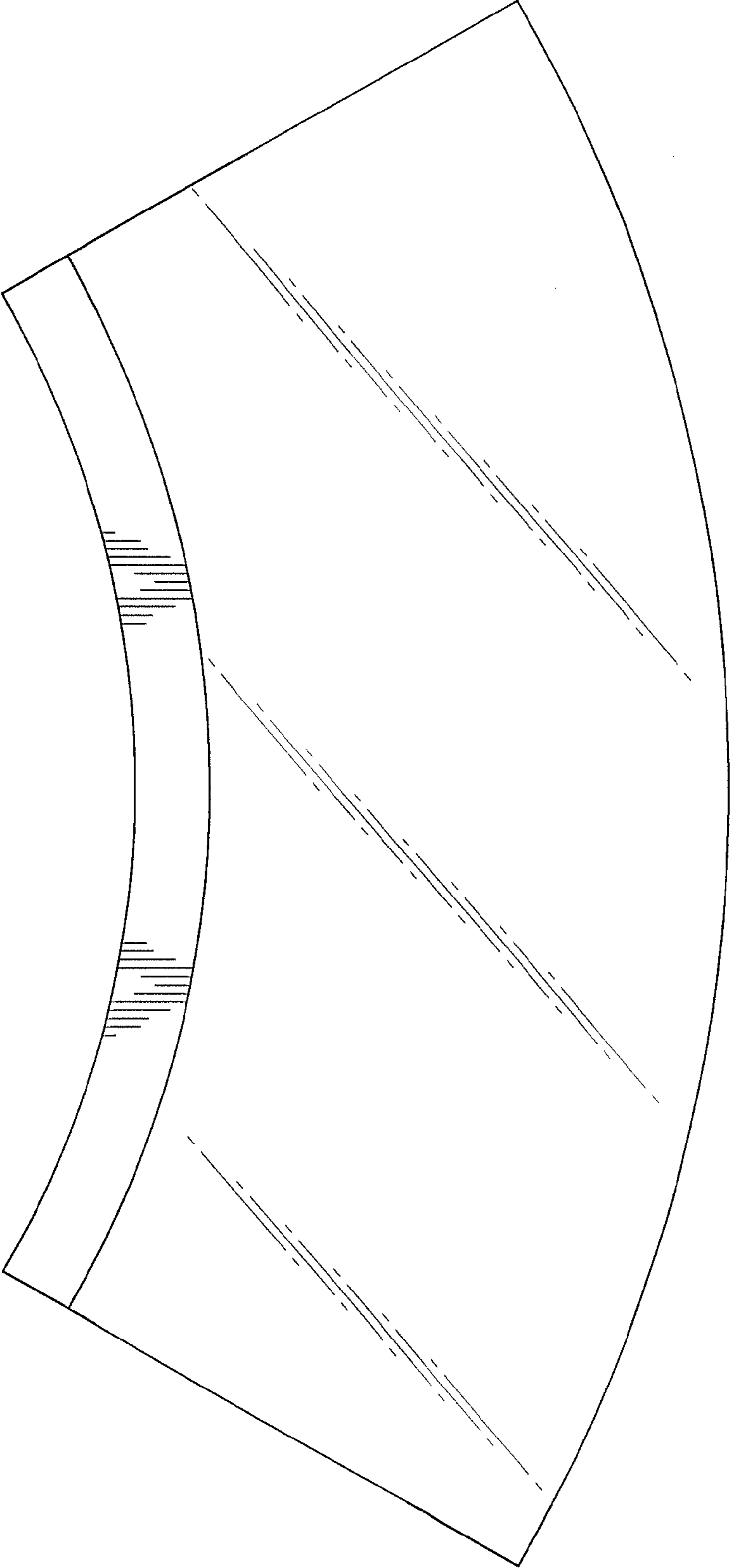


FIG. 7

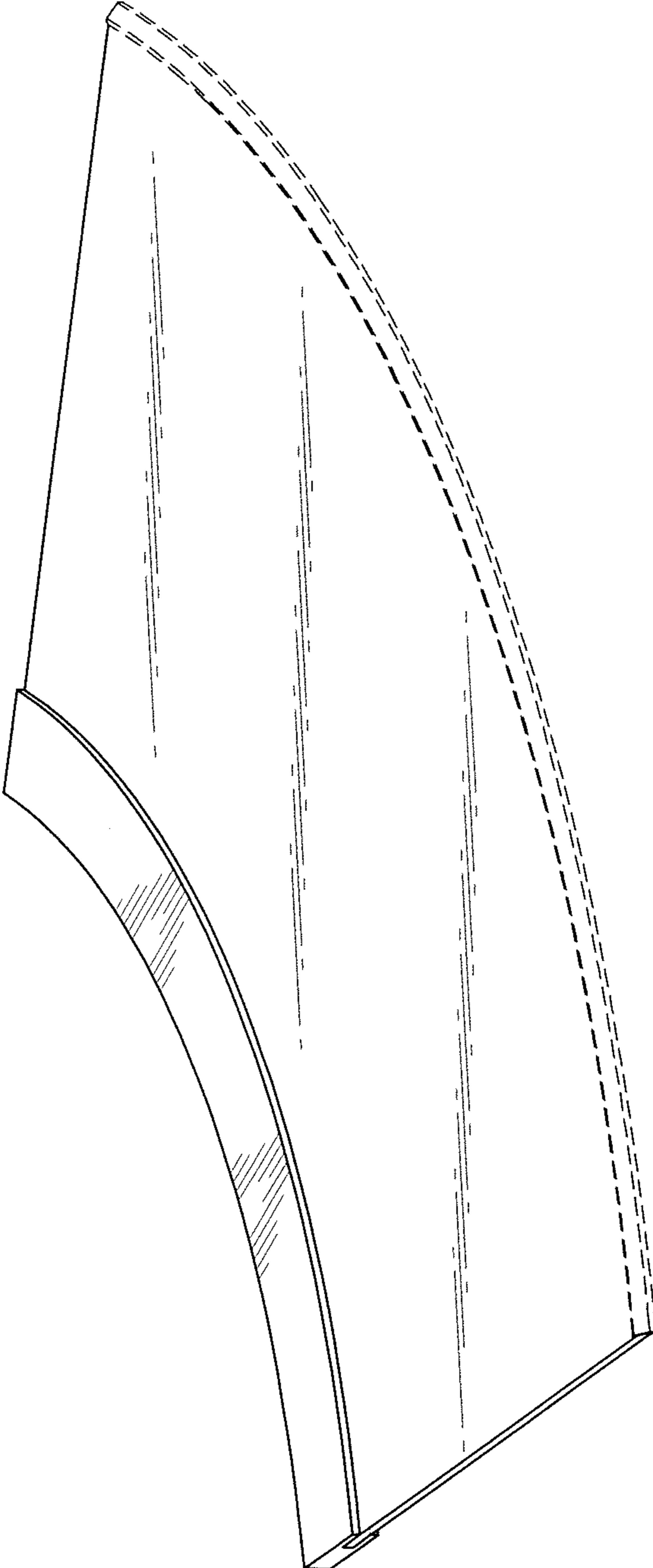


FIG.8



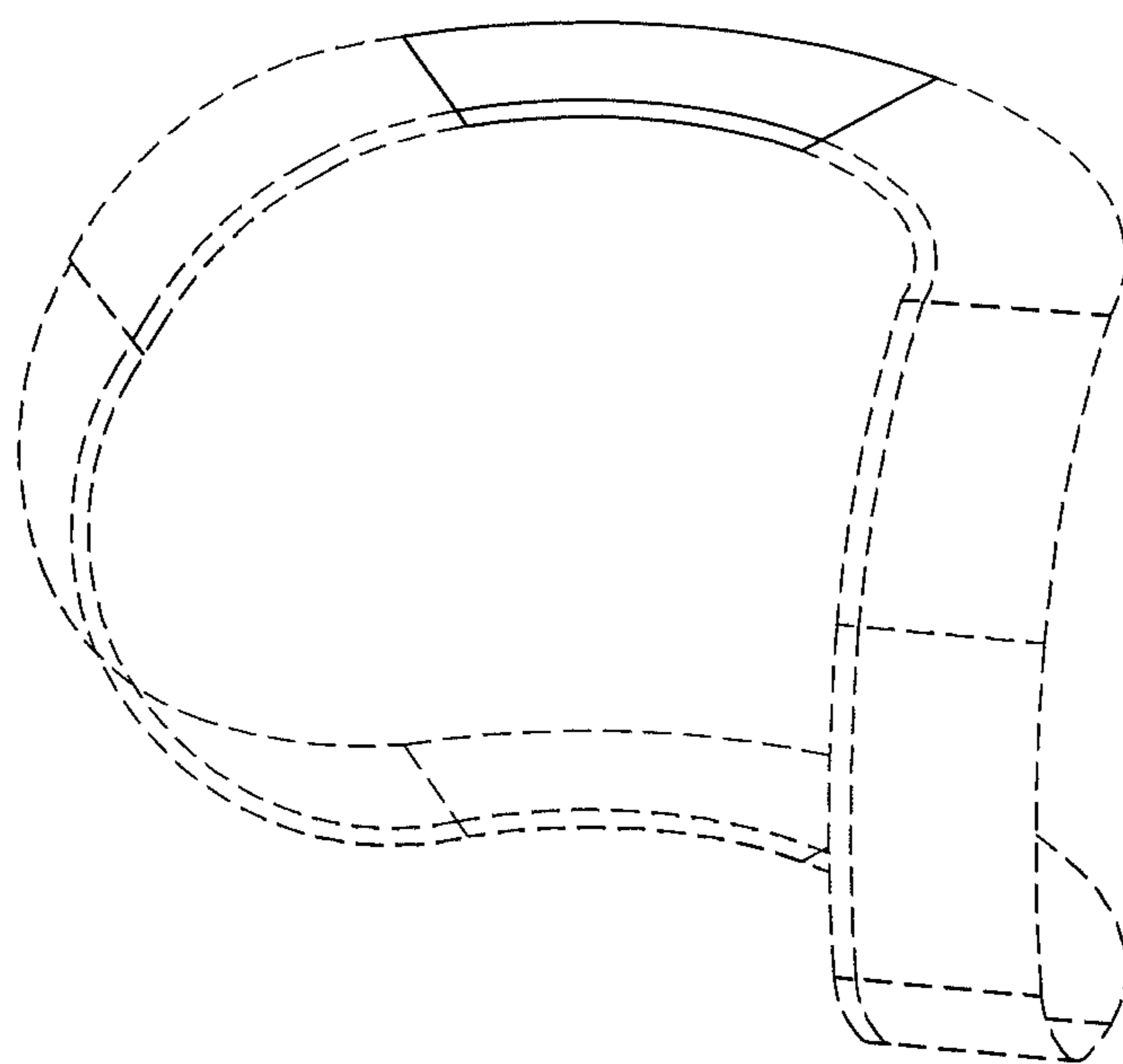


FIG.9

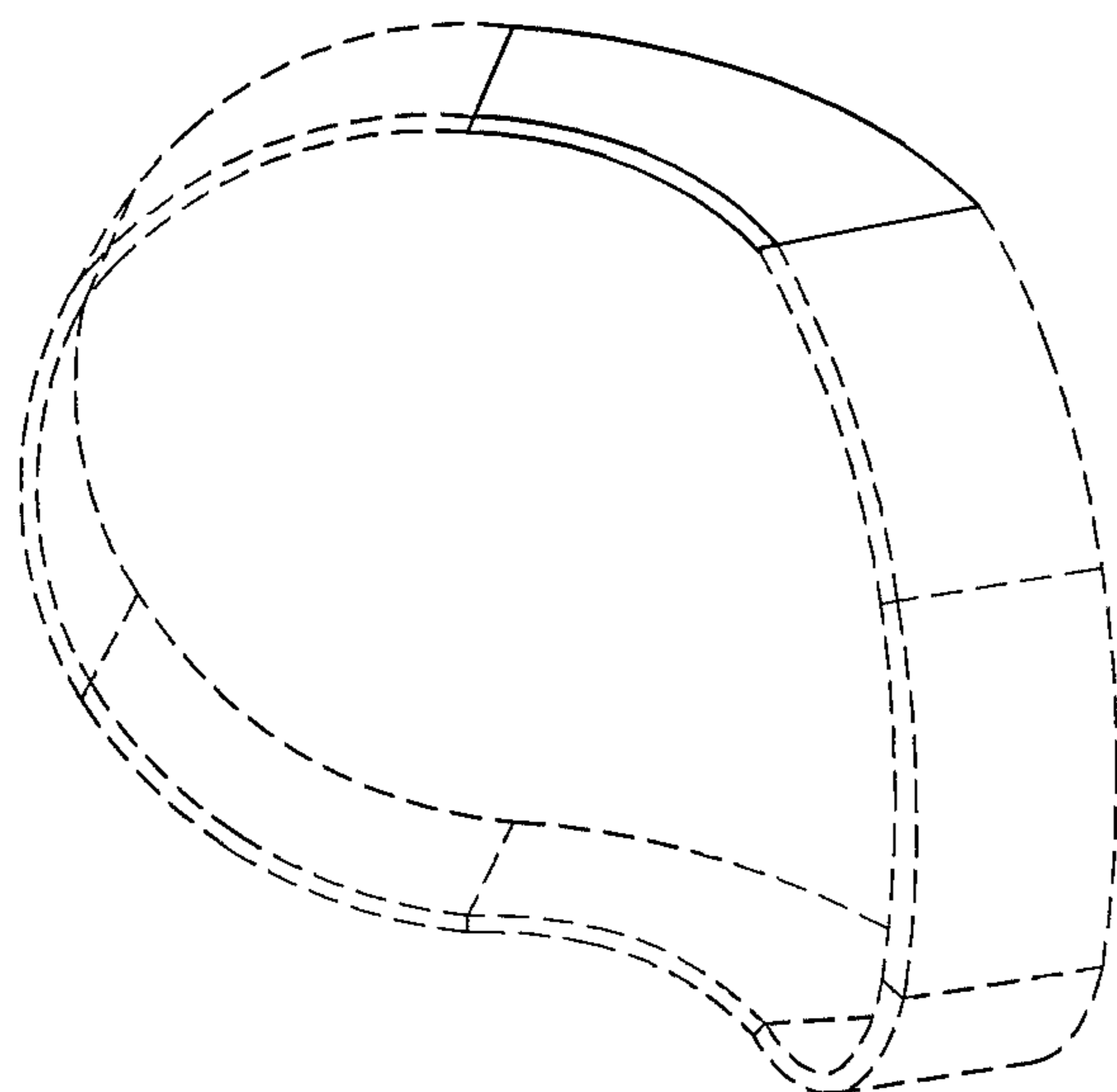


FIG.10

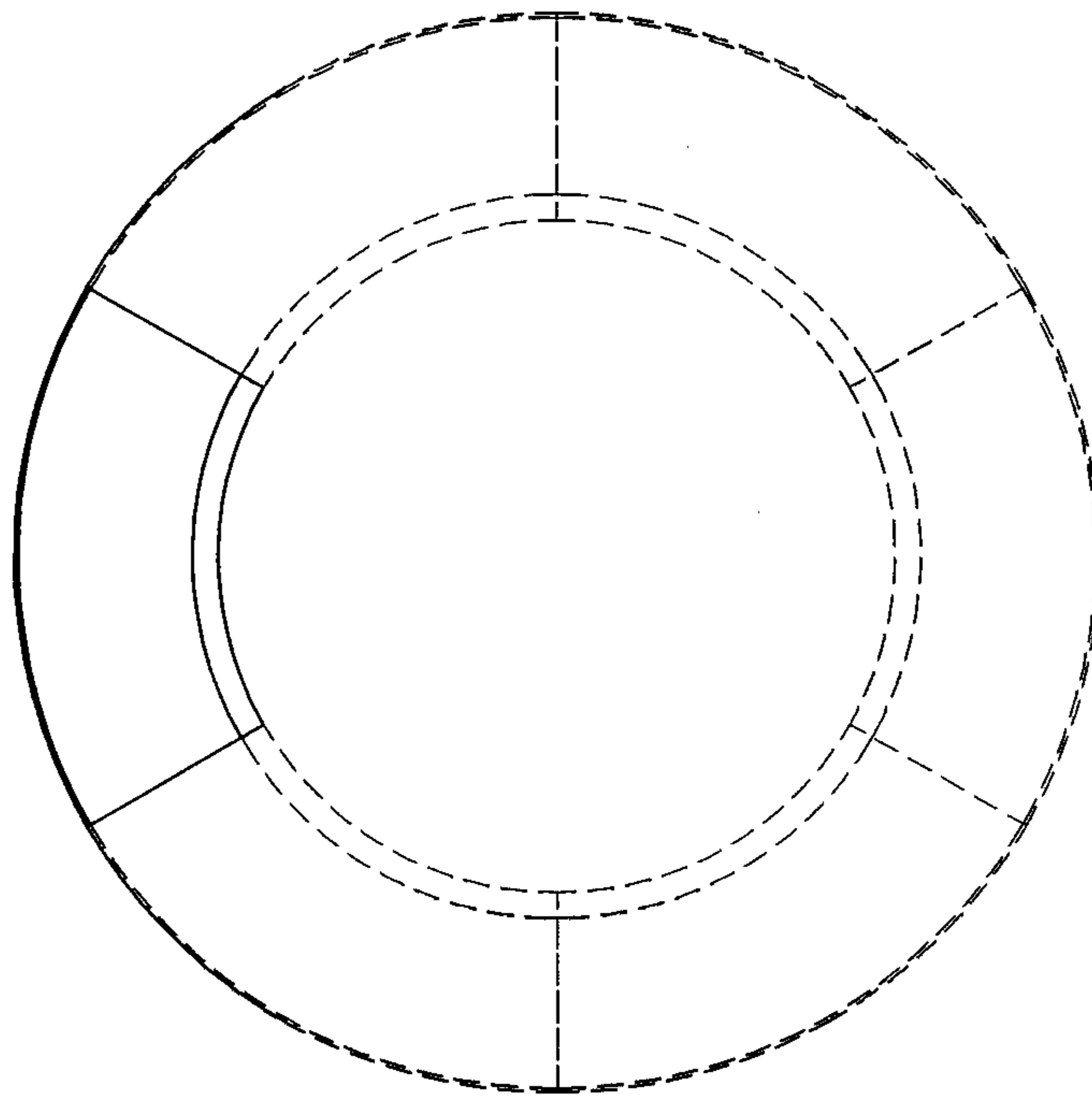


FIG. 11

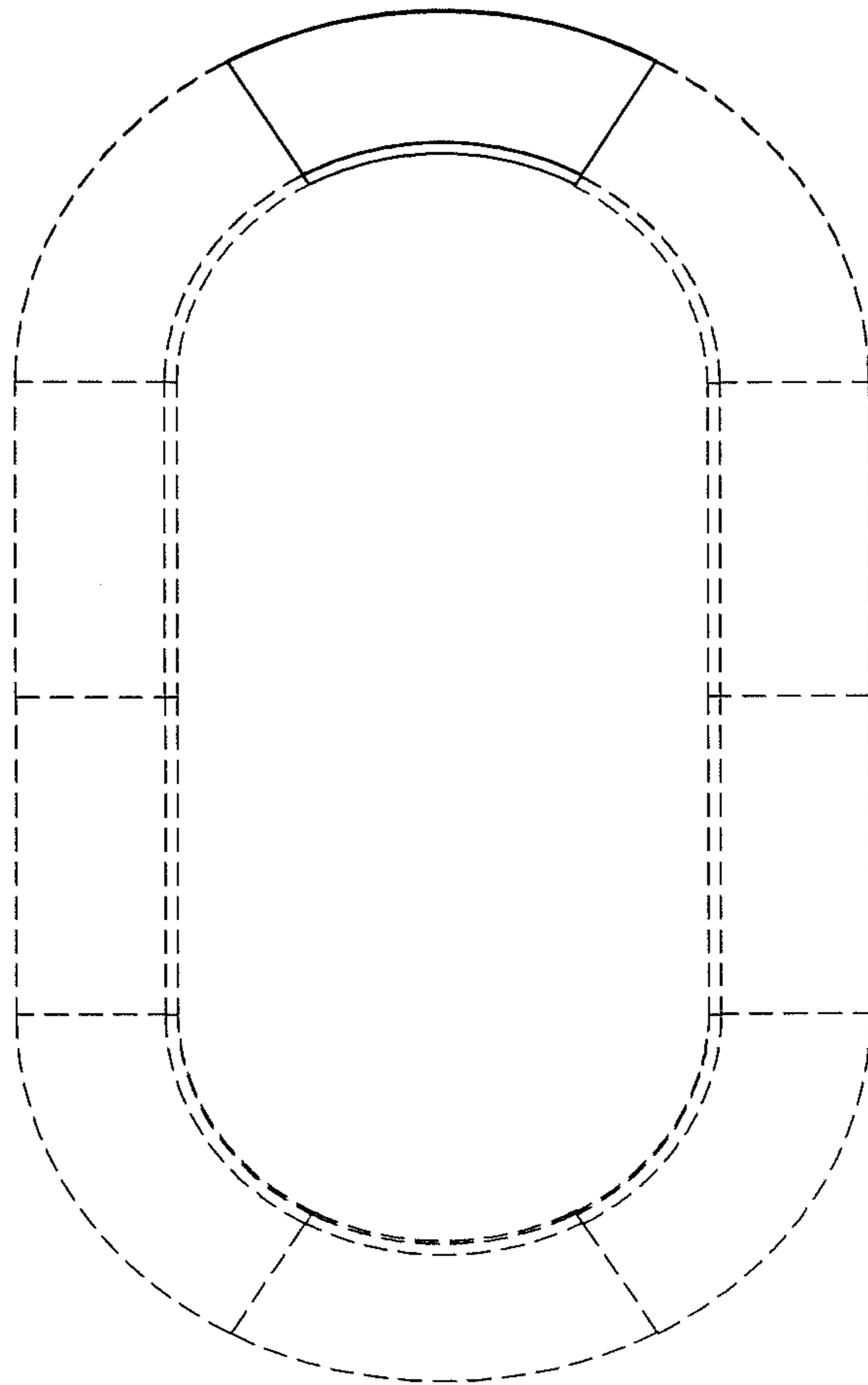


FIG.12

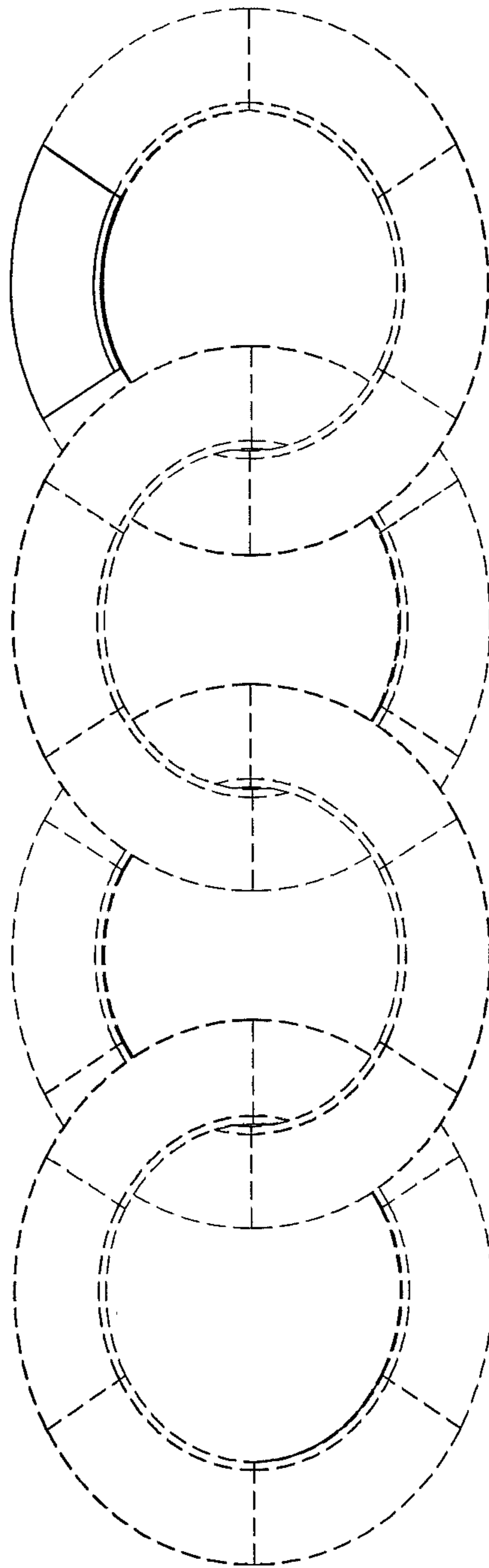


FIG. 13

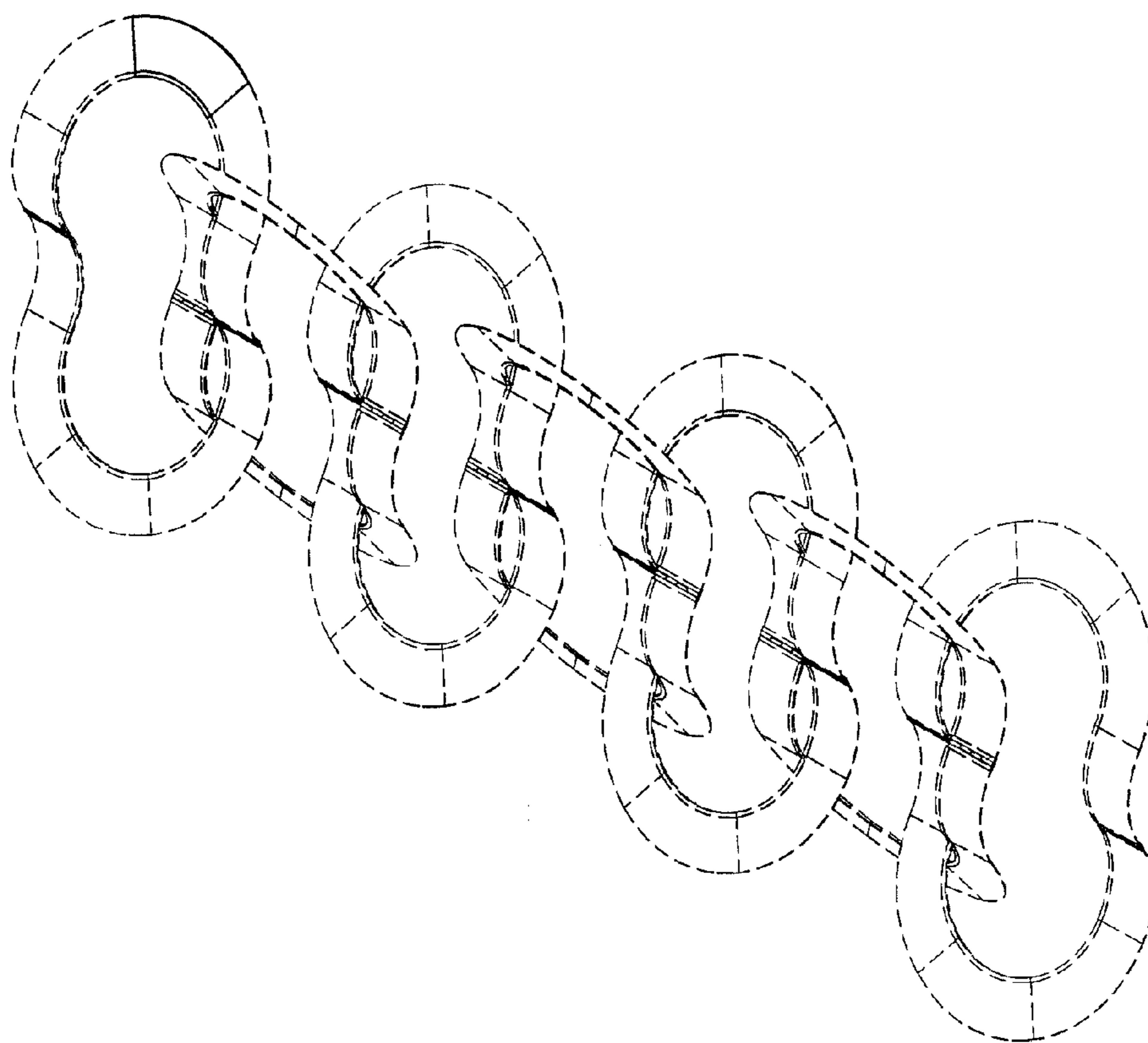


FIG.14