



US00D711037S

(12) **United States Design Patent**
Lehman et al.

(10) **Patent No.:** **US D711,037 S**

(45) **Date of Patent:** **** Aug. 12, 2014**

(54) **OPEN FRAME EDGELIT HIGH BAY LUMINAIRE**

(71) Applicants: **Greg Arthur Lehman**, Peachtree City, GA (US); **Paul W. Lewis**, Grantville, GA (US)

(72) Inventors: **Greg Arthur Lehman**, Peachtree City, GA (US); **Paul W. Lewis**, Grantville, GA (US)

(73) Assignee: **Cooper Technologies Company**, Houston, TX (US)

(**) Term: **14 Years**

(21) Appl. No.: **29/452,685**

(22) Filed: **Apr. 19, 2013**

(51) **LOC (10) Cl.** **26-03**

(52) **U.S. Cl.**
USPC **D26/77**

(58) **Field of Classification Search**
CPC F21S 4/00; F21S 8/00; F21W 2131/3005; F21W 2131/304; F21W 2131/308; F21W 2131/405
USPC D26/51, 56, 72, 75-78, 80, 92, 118; 362/98, 147, 217.01, 218, 219, 222, 362/223, 260, 294, 373
See application file for complete search history.

(56) **References Cited**

U.S. PATENT DOCUMENTS

D120,548 S * 5/1940 Guth D26/77
D121,590 S * 7/1940 Heath D26/76

D122,887 S * 10/1940 Beals D26/78
D240,853 S * 8/1976 Aronson D26/77
D257,894 S * 1/1981 DiBernardo D26/75
D306,773 S * 3/1990 Roulstone D26/78
5,803,589 A * 9/1998 Lee 362/225
D463,059 S * 9/2002 Verfueth D26/78
D485,932 S * 1/2004 Crane D26/76
7,207,690 B2 * 4/2007 Haugaard et al. 362/225
D544,982 S * 6/2007 Hargreaves D26/76
D609,386 S * 2/2010 Castelli D26/76
7,793,447 B2 * 9/2010 Fang et al. 362/294
D632,418 S * 2/2011 Bisberg et al. D26/76
D645,194 S * 9/2011 Budike et al. D26/76
D654,206 S * 2/2012 Brothers D26/75
D693,960 S * 11/2013 Shemitz-Walker et al. . D26/118
2010/0110679 A1 * 5/2010 Teng et al. 362/218
2010/0128480 A1 * 5/2010 Watanabe et al. 362/249.02

* cited by examiner

Primary Examiner — Clare E Heflin

(74) *Attorney, Agent, or Firm* — King & Spalding LLP

(57) **CLAIM**

The ornamental design for an open frame edgelit high bay luminaire, as shown and described.

DESCRIPTION

FIG. 1 is a top perspective view of an open frame edgelit high bay luminaire, showing our new design; FIG. 2 is a bottom perspective view thereof; FIG. 3 is a top plan view thereof; FIG. 4 is a bottom plan view thereof; FIG. 5 is a left-side elevation view thereof; FIG. 6 is a right-side elevation view thereof; FIG. 7 is a front elevation view thereof; and, FIG. 8 is a rear elevation view thereof.

1 Claim, 6 Drawing Sheets

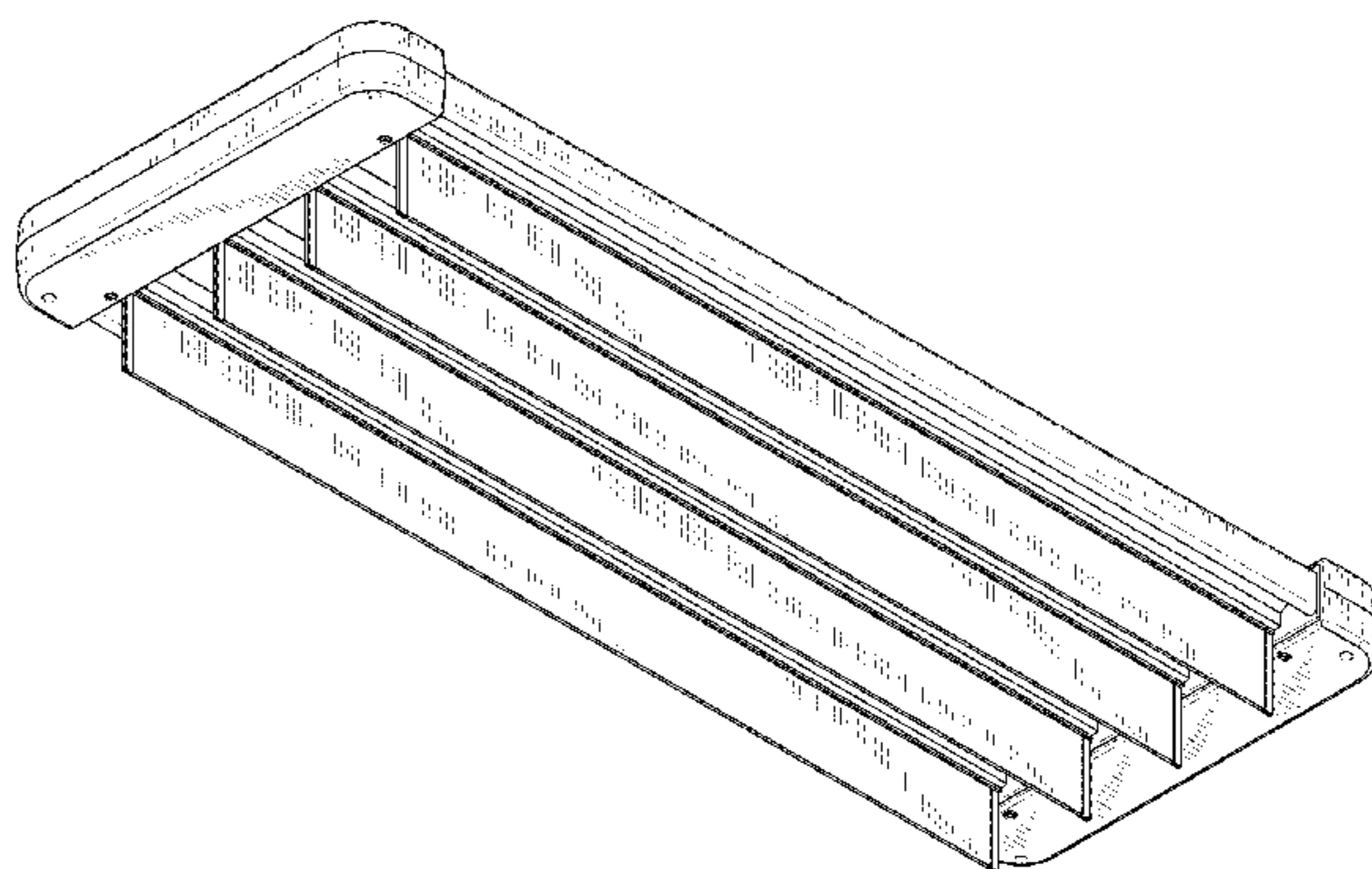
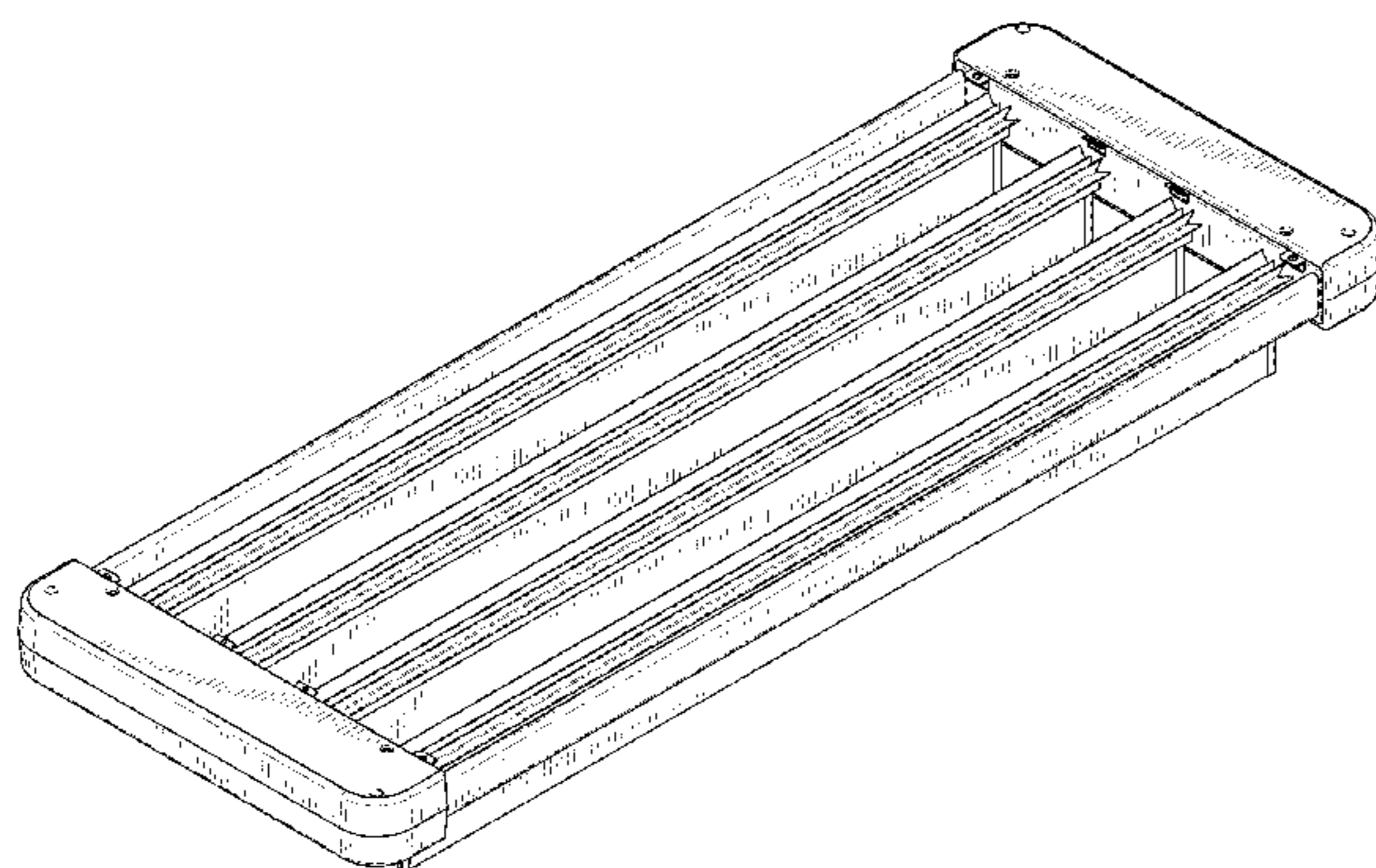


FIG. 1

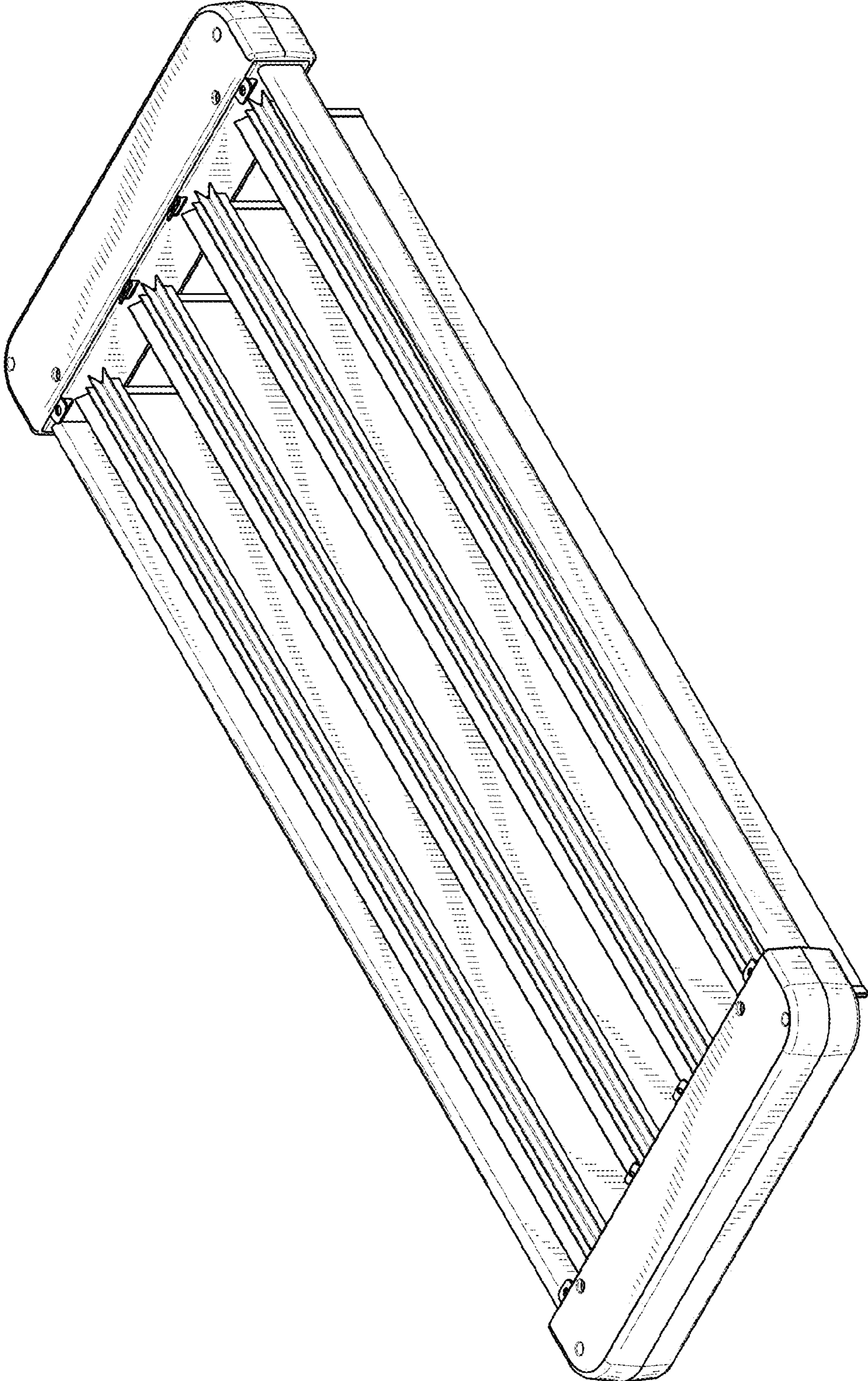


FIG. 2

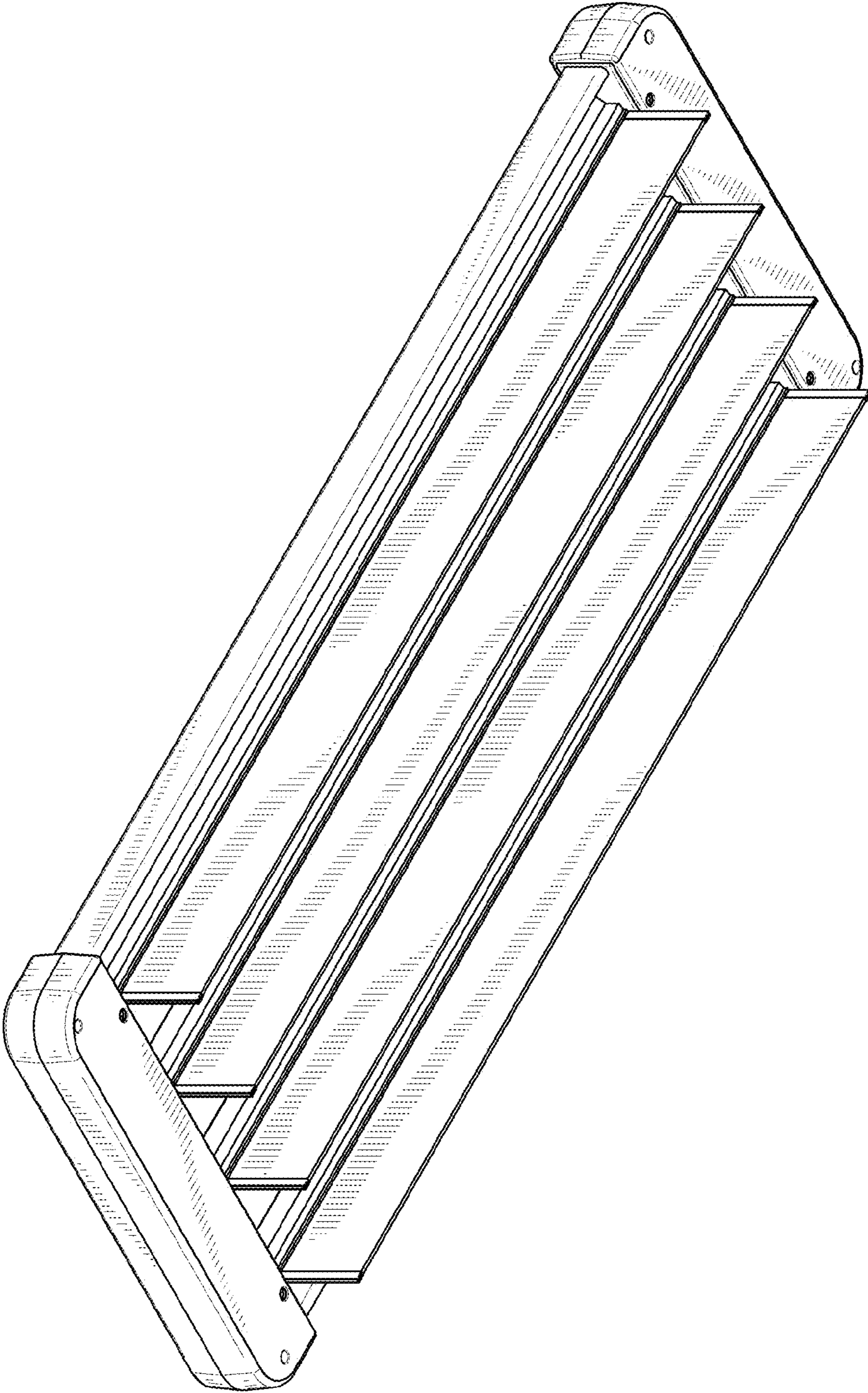


FIG. 3

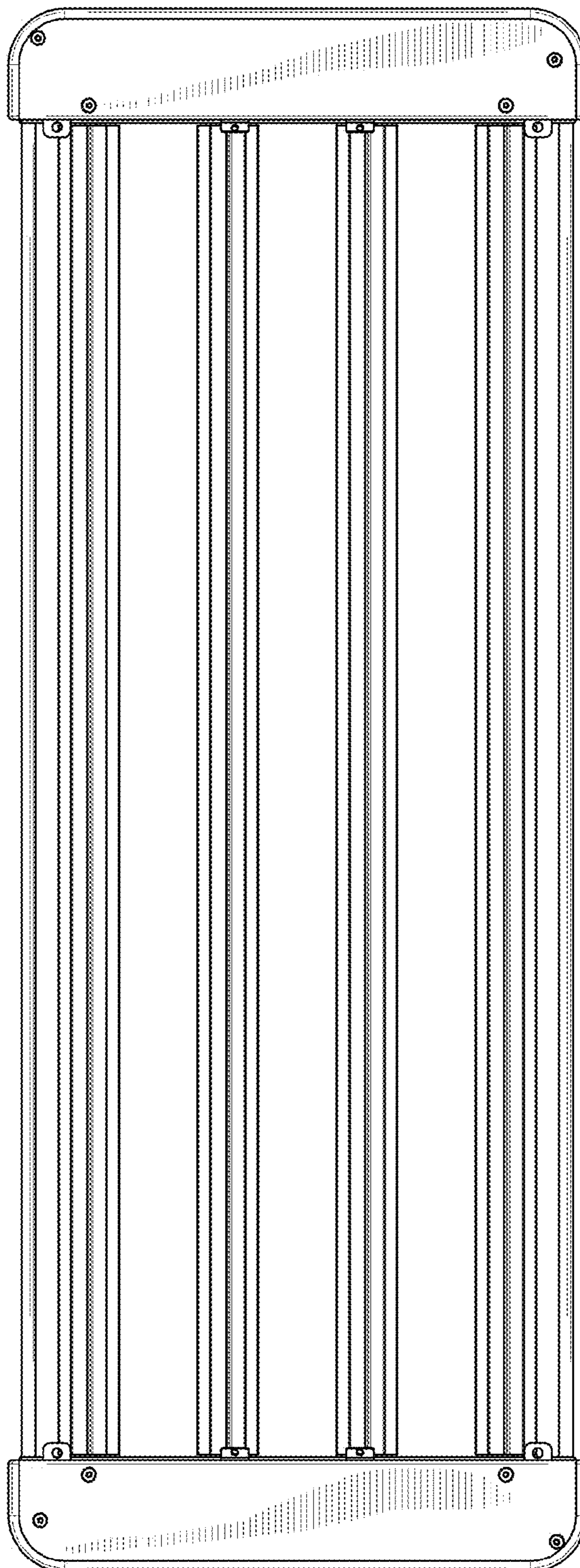


FIG. 4

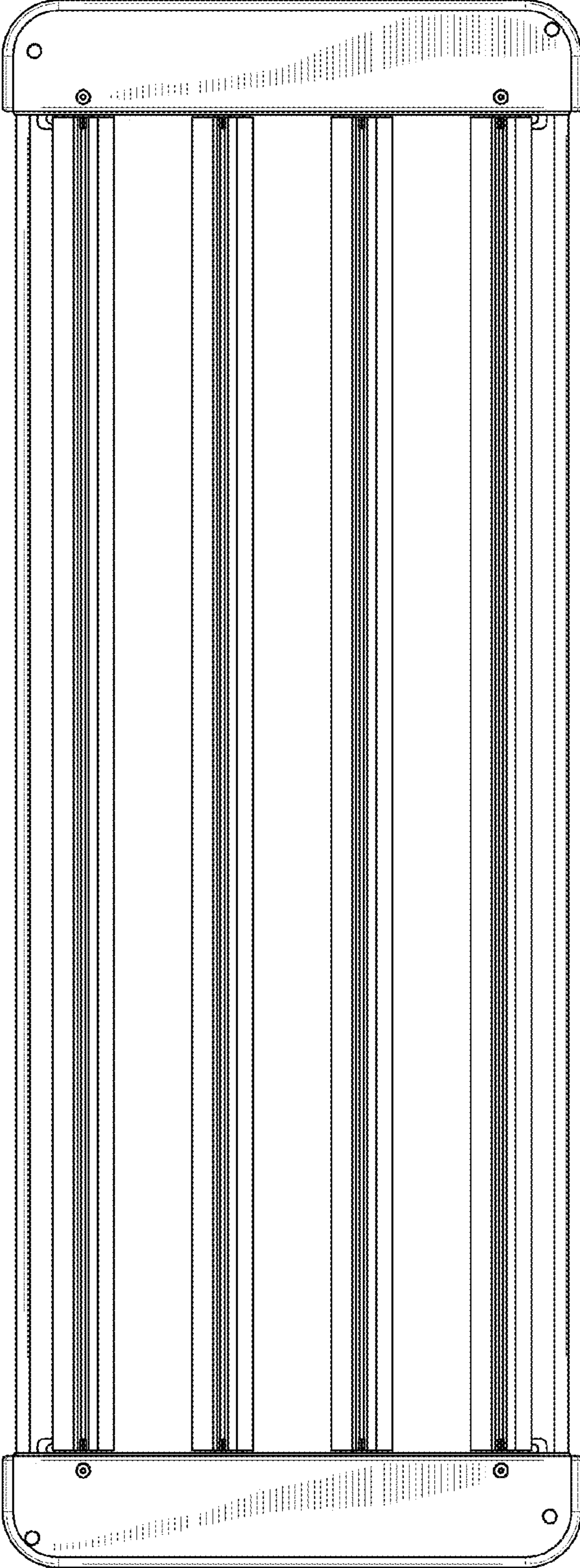


FIG. 5

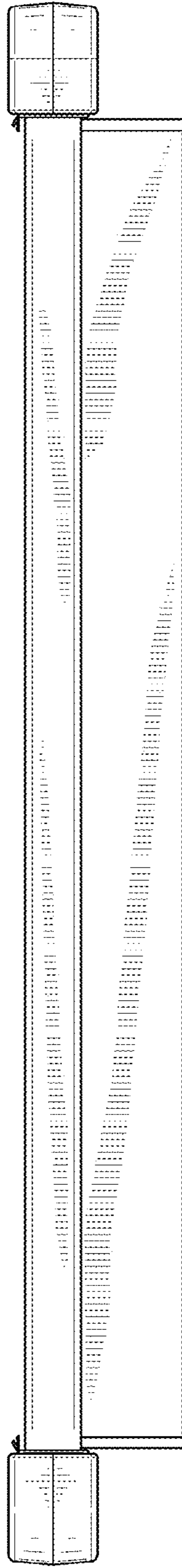


FIG. 6

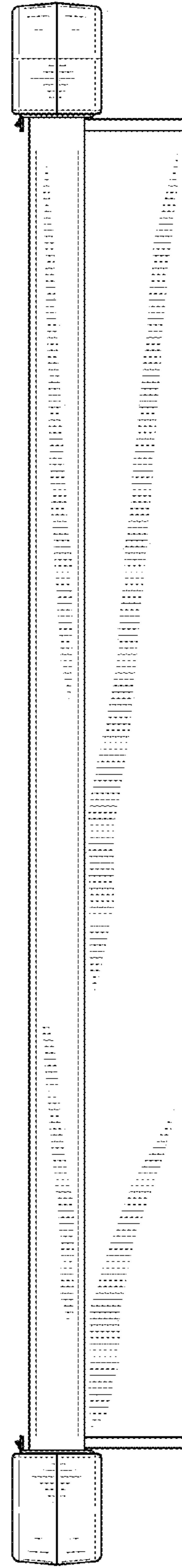


FIG. 8

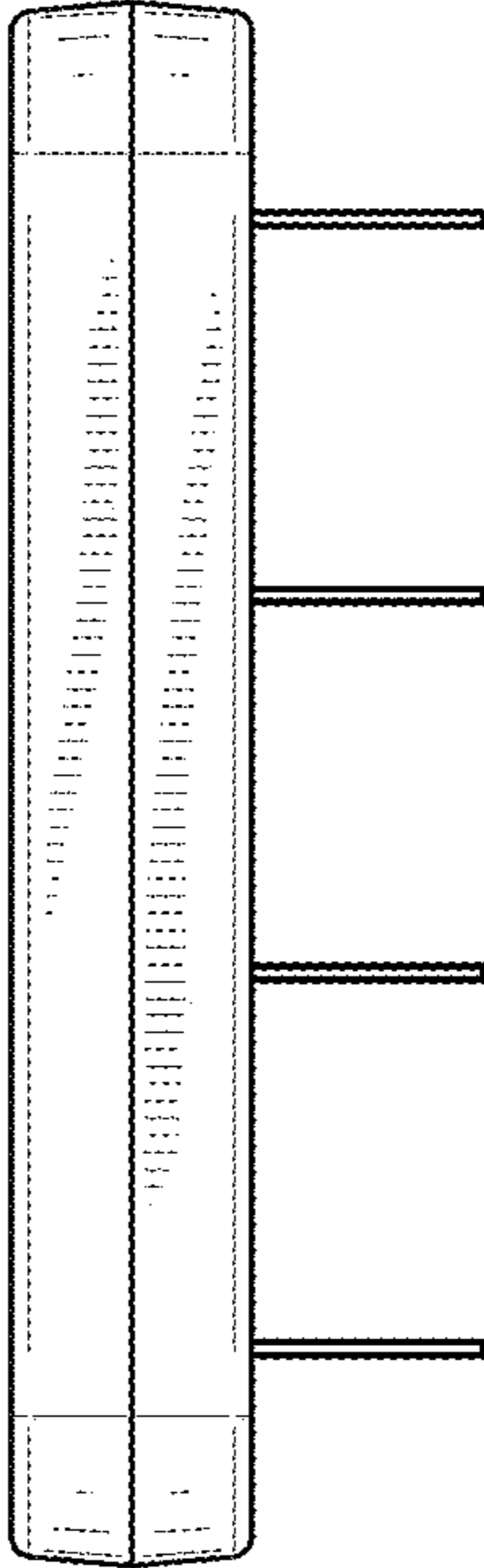


FIG. 7

