



US00D711036S

(12) **United States Design Patent**  
**Salomon**

(10) **Patent No.:** **US D711,036 S**

(45) **Date of Patent:** **\*\* Aug. 12, 2014**

(54) **LIGHTING FIXTURE**

(71) Applicant: **Speciality Lighting Industries, Inc.**,  
Ocean, NJ (US)

(72) Inventor: **Benjamin Salomon**, Elberon, NJ (US)

(73) Assignee: **Specialty Lighting Industries, Inc.**,  
Ocean, NJ (US)

(\*\*) Term: **14 Years**

(21) Appl. No.: **29/479,765**

(22) Filed: **Jan. 20, 2014**

(51) **LOC (10) Cl.** ..... **26-05**

(52) **U.S. Cl.**  
USPC ..... **D26/74**

(58) **Field of Classification Search**

USPC ..... D26/74, 24, 72, 75, 76, 78, 79, 81, 82,  
D26/88, 89, 91, 113, 118, 119, 120, 138,  
D26/141, 142; 362/145, 146, 147, 148, 150,  
362/151, 153, 153.1, 217.01, 223, 217.05,  
362/217.07, 217.06, 217.15, 249.02,  
362/296.07, 296.08, 311.02, 373, 800

See application file for complete search history.

(56) **References Cited**

U.S. PATENT DOCUMENTS

6,179,451	B1 *	1/2001	Bodine et al.	.....	362/404
D567,989	S *	4/2008	Goetz-Schaefer	.....	D26/89
D581,086	S *	11/2008	Starck	.....	D26/85
D603,547	S *	11/2009	Starck	.....	D26/72
D611,641	S *	3/2010	Dworschak	.....	D26/74
D628,335	S *	11/2010	Hyland	.....	D26/74
D646,829	S *	10/2011	Pan	.....	D26/74
D664,699	S *	7/2012	Nakahira et al.	.....	D26/74
D677,817	S *	3/2013	Mayfield et al.	.....	D26/74
D679,437	S *	4/2013	Watt	.....	D26/74
D695,442	S *	12/2013	Speier et al.	.....	D26/74
D698,481	S *	1/2014	Wasserman et al.	.....	D26/120
2013/0250567	A1 *	9/2013	Edmond et al.	.....	362/231

\* cited by examiner

*Primary Examiner* — Angela J Lee

(74) *Attorney, Agent, or Firm* — Brosemer, Kolefas & Associates

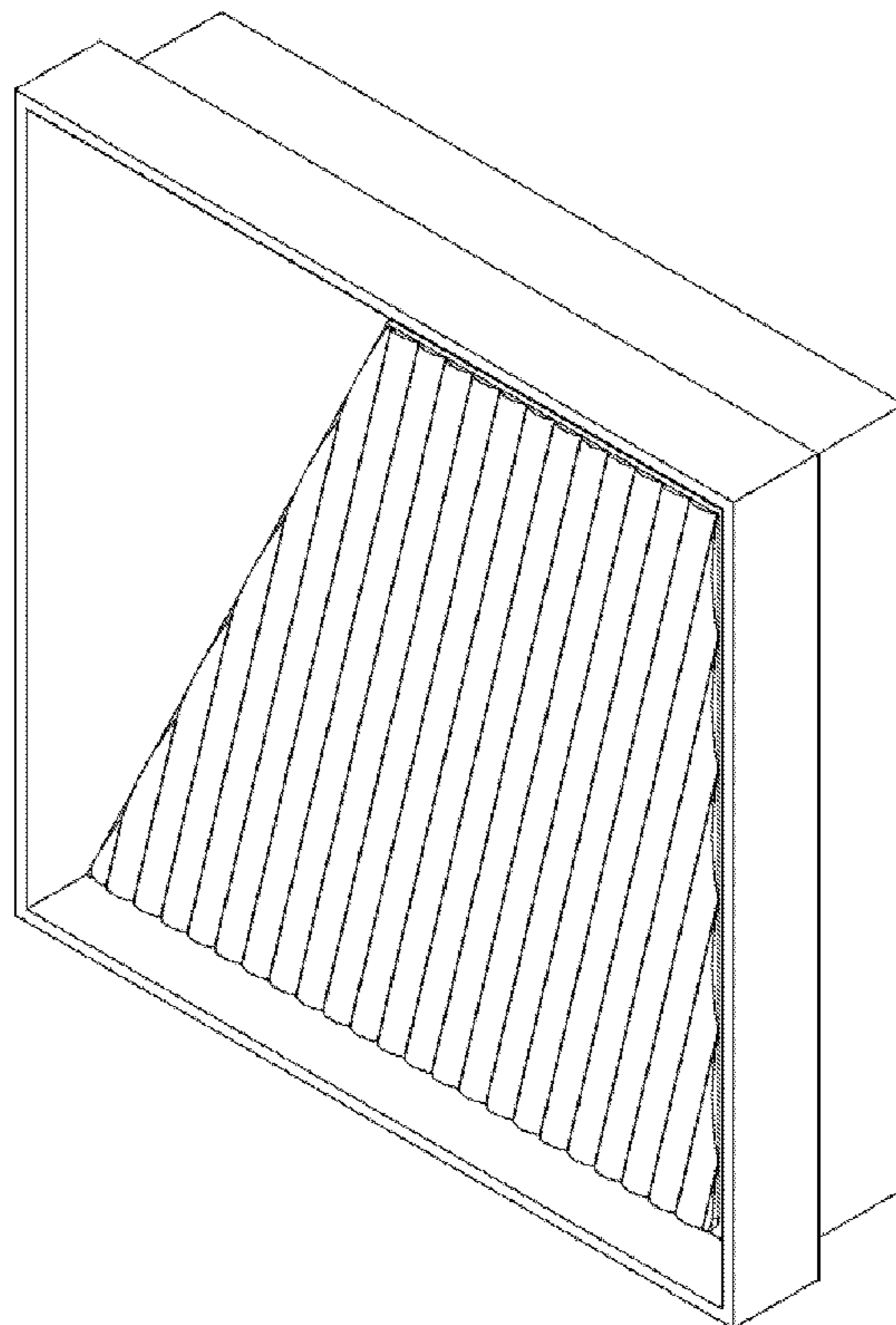
(57) **CLAIM**

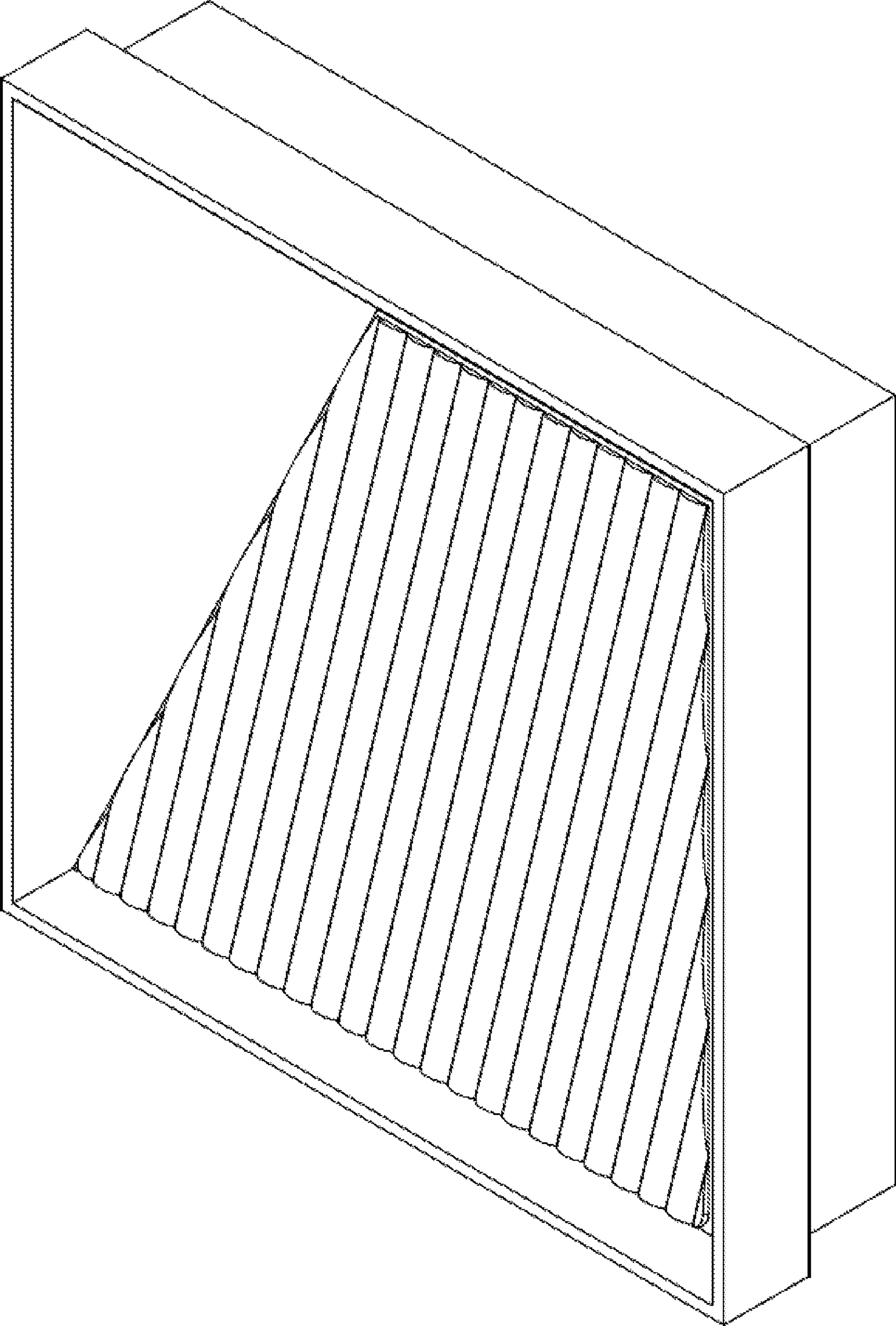
The ornamental design for a lighting fixture, as shown and described.

**DESCRIPTION**

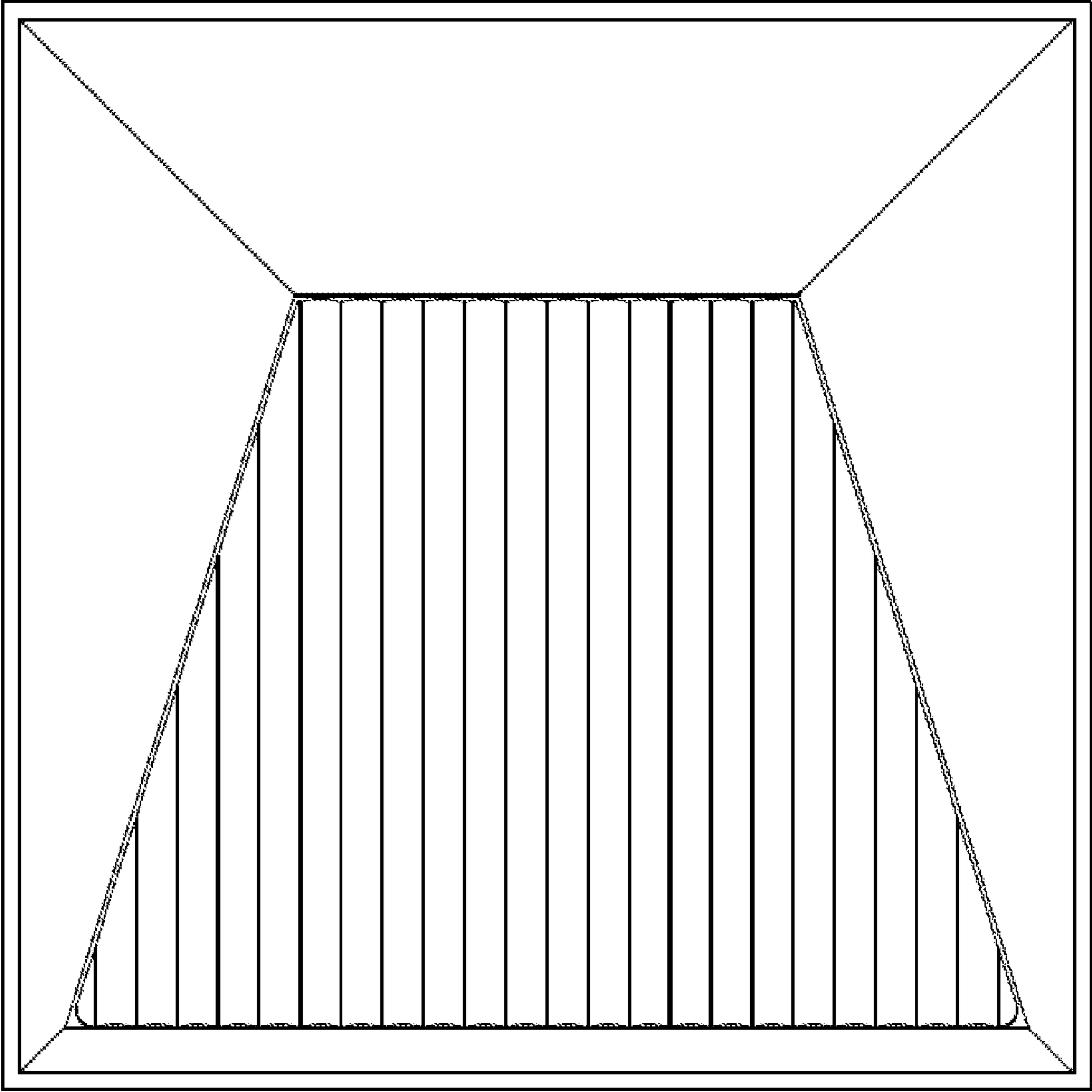
FIG. 1 is a perspective view of a lighting fixture showing my new design;  
FIG. 2 is a front view thereof;  
FIG. 3 is a side view thereof;  
FIG. 4 is a top view thereof; and,  
FIG. 5 is a bottom view thereof.

**1 Claim, 5 Drawing Sheets**

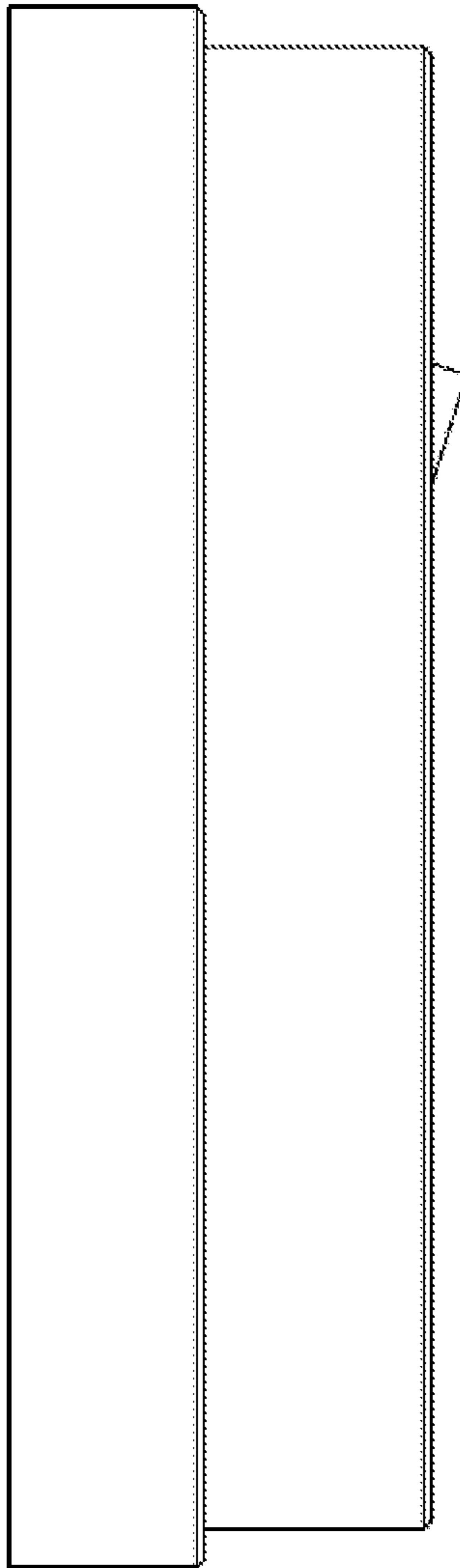




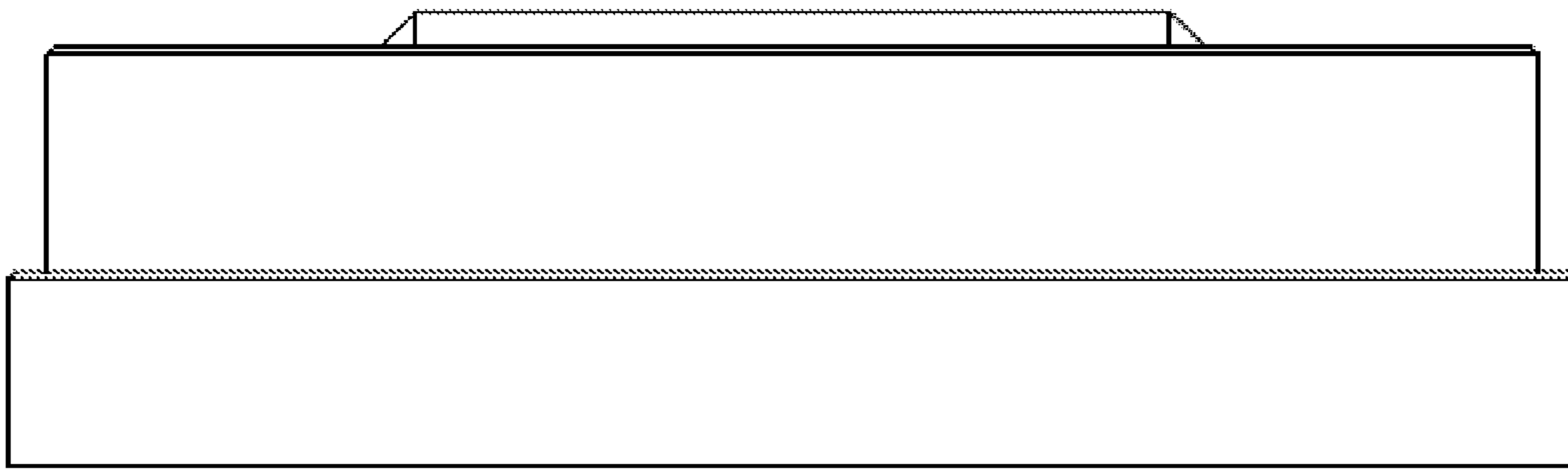
**FIGURE 1**



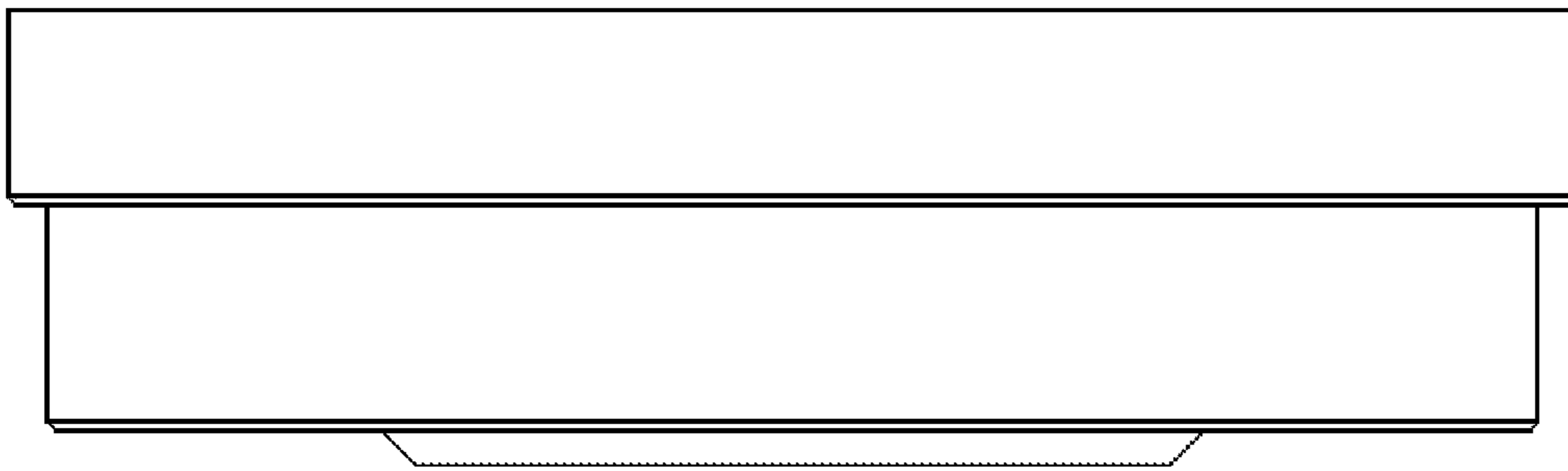
***FIGURE 2***



***FIGURE 3***



***FIGURE 4***



***FIGURE 5***