



US00D711034S

(12) **United States Design Patent**
Sturgis et al.

(10) **Patent No.:** **US D711,034 S**

(45) **Date of Patent:** **** Aug. 12, 2014**

(54) **LUMINAIRE FOR ROAD LIGHTING**

(71) Applicant: **Koninklijke Philips N.V.**, Eindhoven (NL)

(72) Inventors: **Kyle Sturgis**, York, PA (US); **Joseph Edwin Meppelink**, Houston, TX (US)

(73) Assignee: **Koninklijke Philips N.V.**, Eindhoven (NL)

(**) Term: **14 Years**

(21) Appl. No.: **29/477,049**

(22) Filed: **Dec. 19, 2013**

(51) **LOC (10) Cl.** **26-05**

(52) **U.S. Cl.**
USPC **D26/71**

(58) **Field of Classification Search**
CPC F21S 8/085; F21S 8/086; F21S 8/088;
F21V 21/14
USPC D26/67-71, 92; 362/249.01, 249.02,
362/235-237, 157, 183, 431, 432
See application file for complete search history.

(56) **References Cited**

U.S. PATENT DOCUMENTS

D177,916 S * 6/1956 Keck et al. D26/71
D189,057 S * 10/1960 Schreckengost D26/71

3,170,634 A * 2/1965 Harling 362/223
D556,357 S * 11/2007 Butler et al. D26/71
D628,333 S * 11/2010 Bretschneider D26/71
D641,095 S * 7/2011 Yao et al. D26/71
D657,485 S * 4/2012 Kong et al. D26/71
D676,181 S * 2/2013 Sandell et al. D26/92
D678,580 S * 3/2013 Rizzi et al. D26/71
D694,454 S * 11/2013 Fang D26/71
D694,459 S * 11/2013 Fang D26/87
8,579,469 B2 * 11/2013 Kong et al. 362/249.02
D696,808 S * 12/2013 Rangesh et al. D26/71

* cited by examiner

Primary Examiner — Clare E Heflin

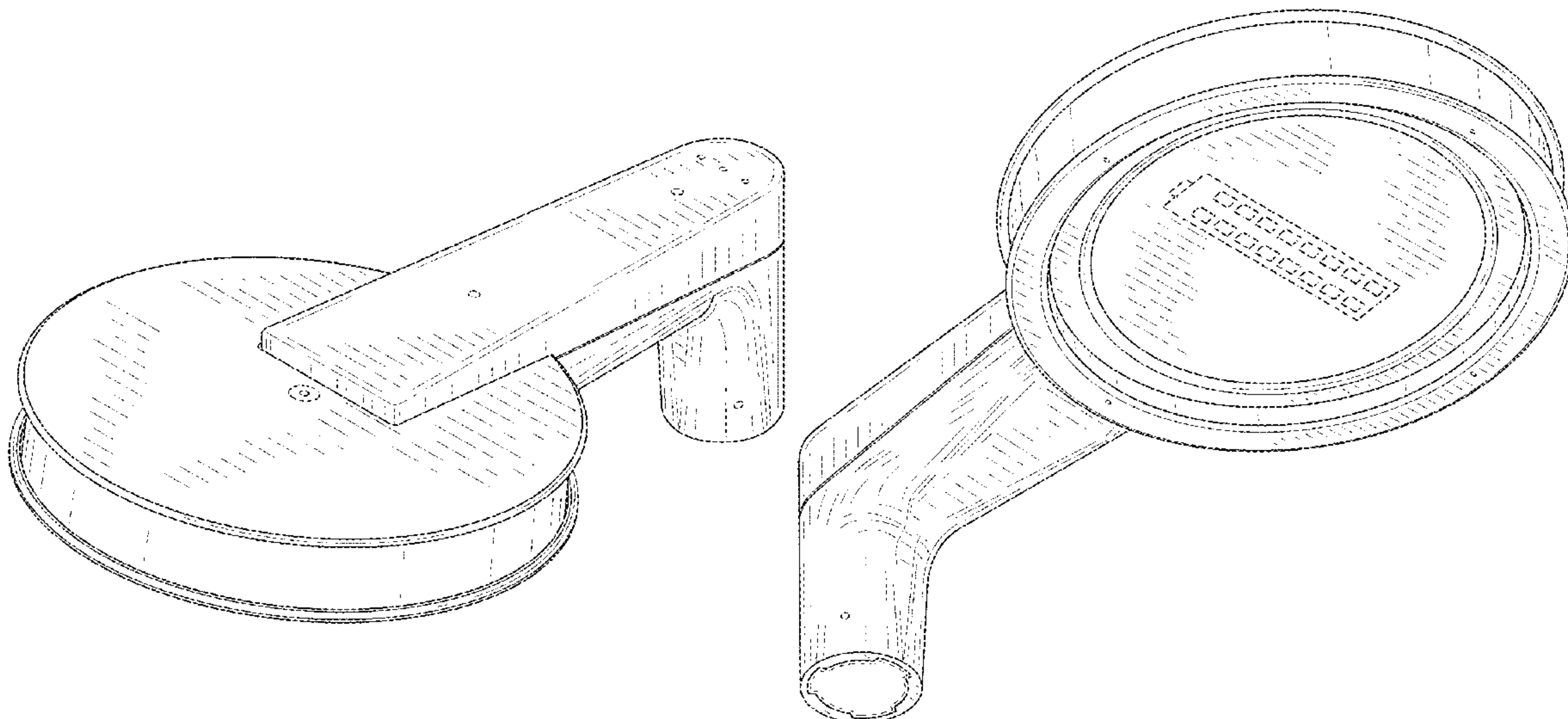
(57) **CLAIM**

The ornamental design for a luminaire for road lighting, as shown and described.

DESCRIPTION

FIG. 1 is a top perspective view showing the new design; FIG. 2 is a bottom perspective view thereof; FIG. 3 is a front elevation view thereof; FIG. 4 is a rear elevation view thereof; FIG. 5 is a right side elevation view thereof; FIG. 6 is a left side elevation view thereof; FIG. 7 is a top plan view thereof; and, FIG. 8 is a bottom plan view thereof. The broken lines shown on the drawings depict portions of the luminaire for road lighting that form no part of the claimed design.

1 Claim, 7 Drawing Sheets



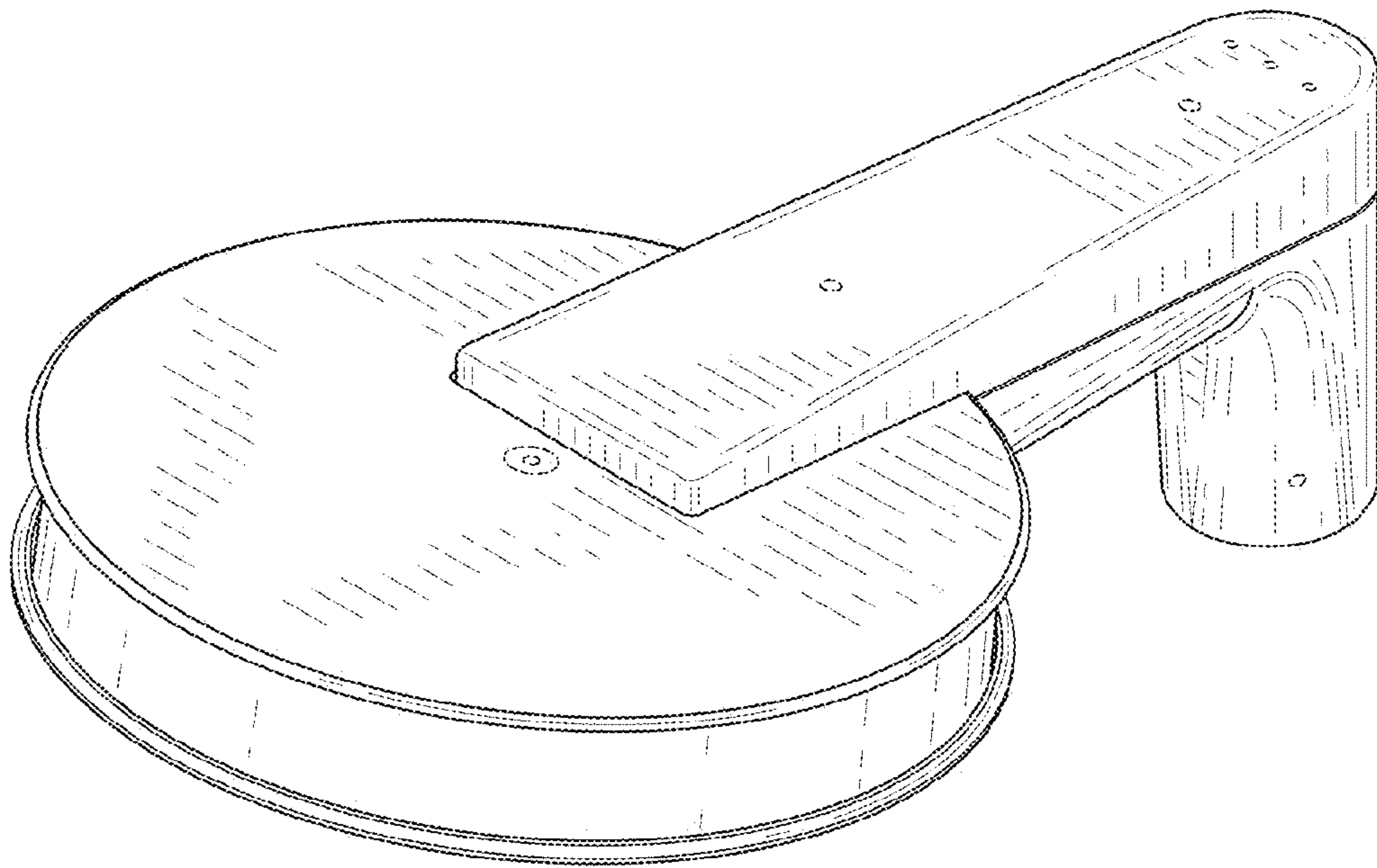


FIG. 1

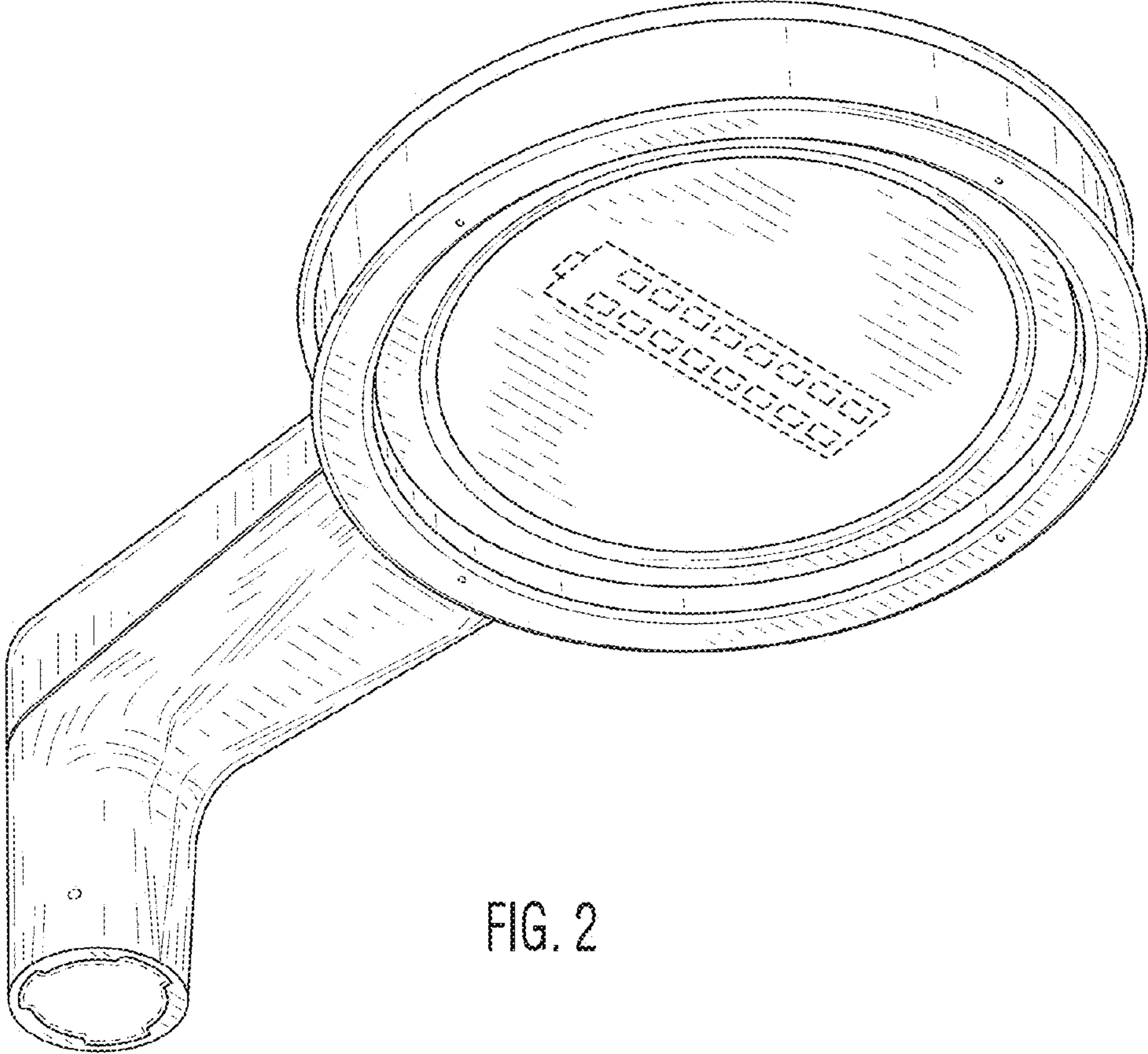


FIG. 2

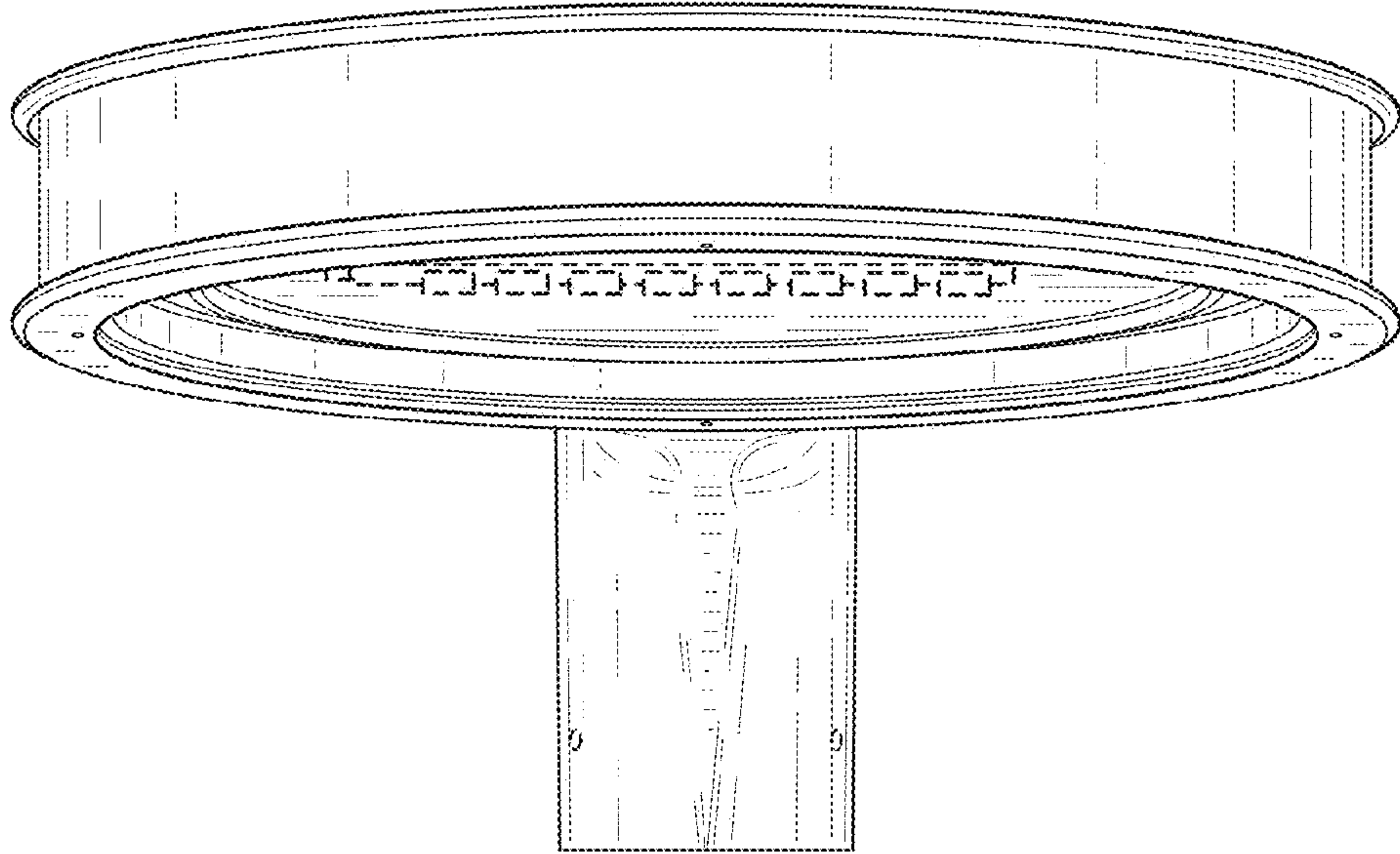


FIG. 3

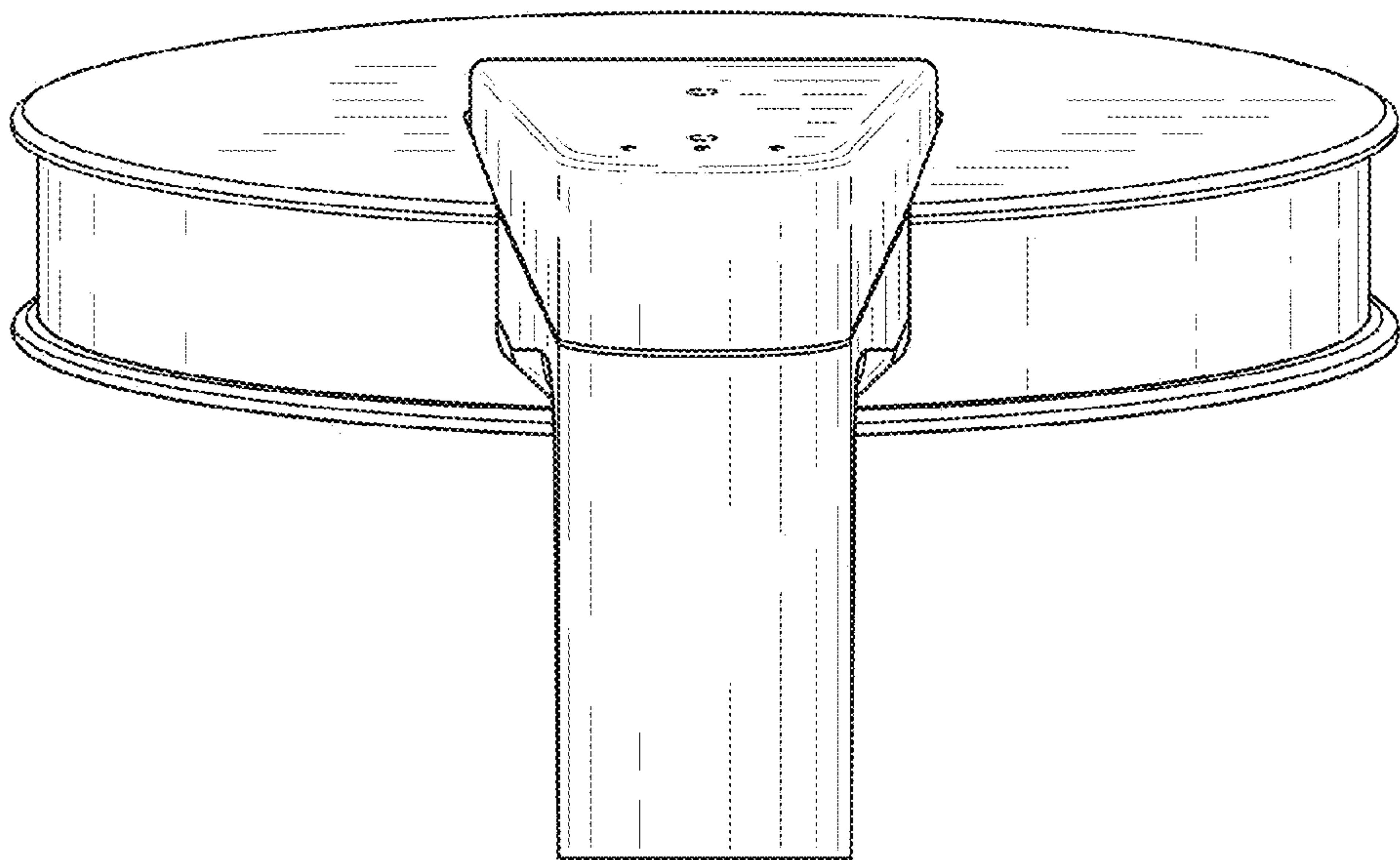


FIG. 4

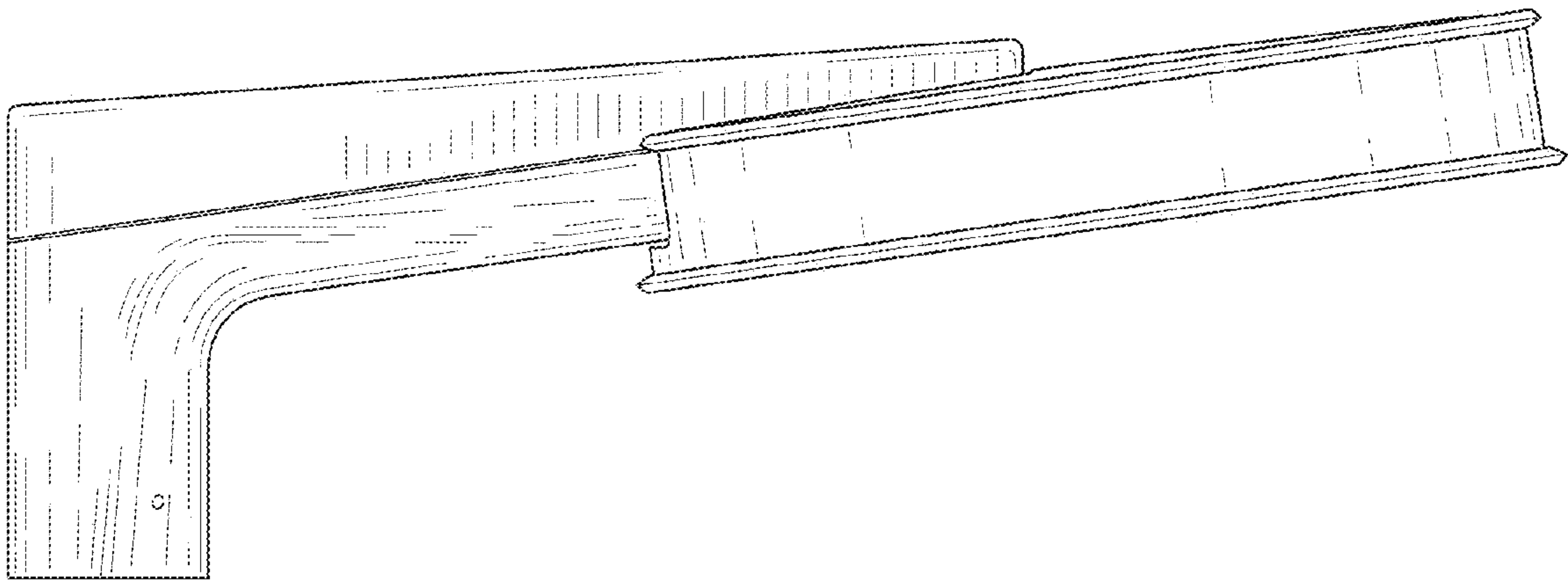


FIG. 5

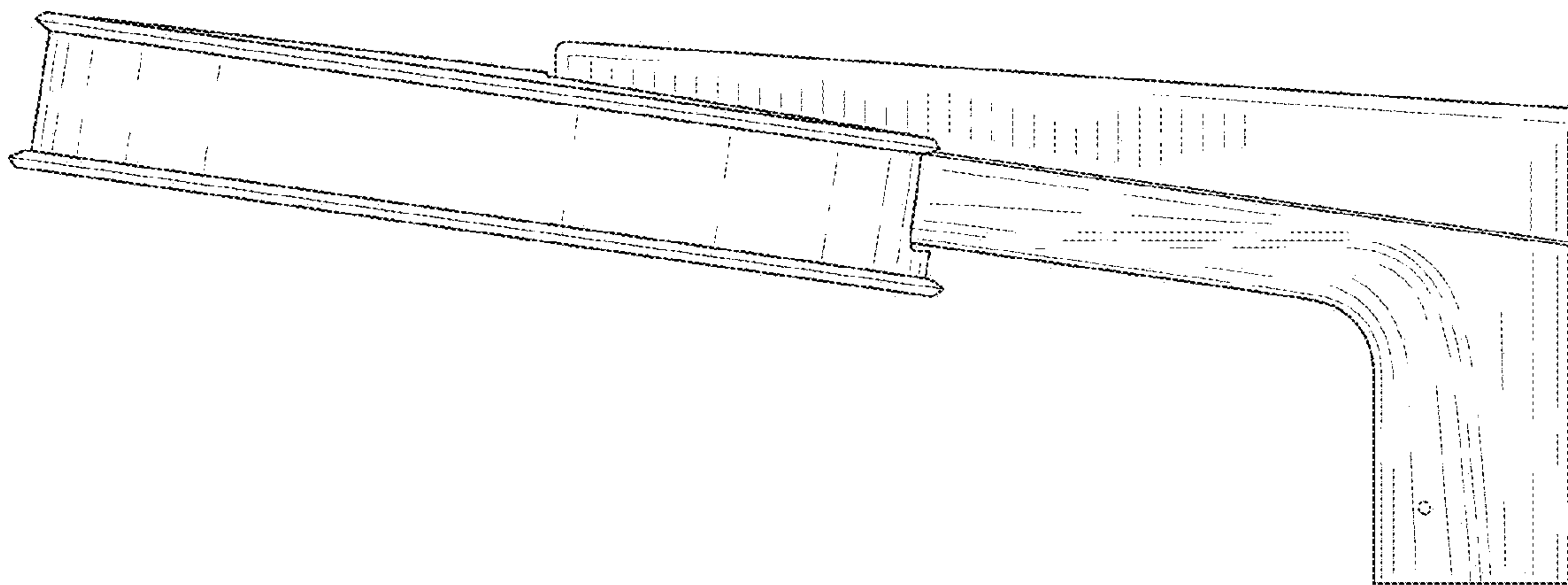


FIG. 6

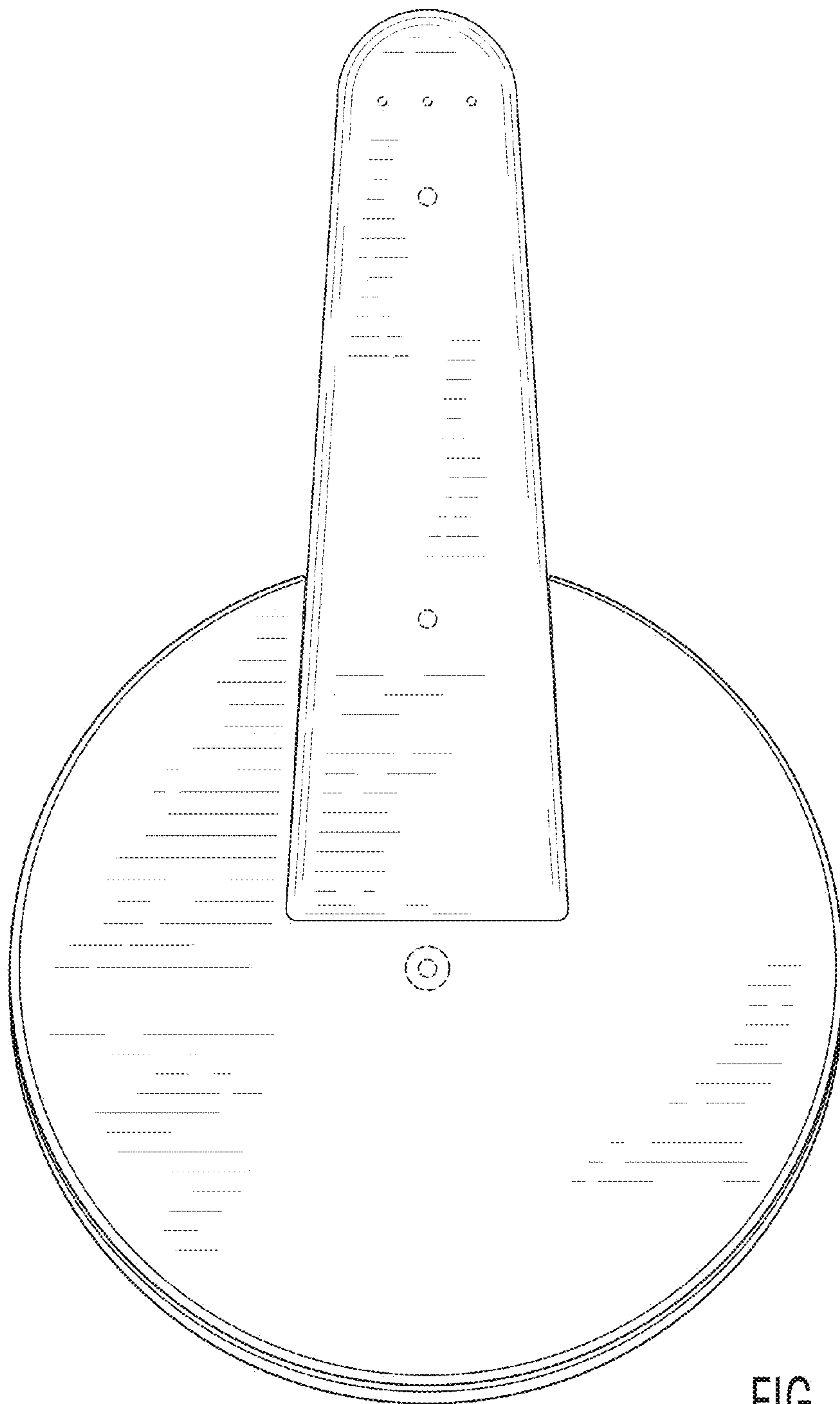


FIG. 7

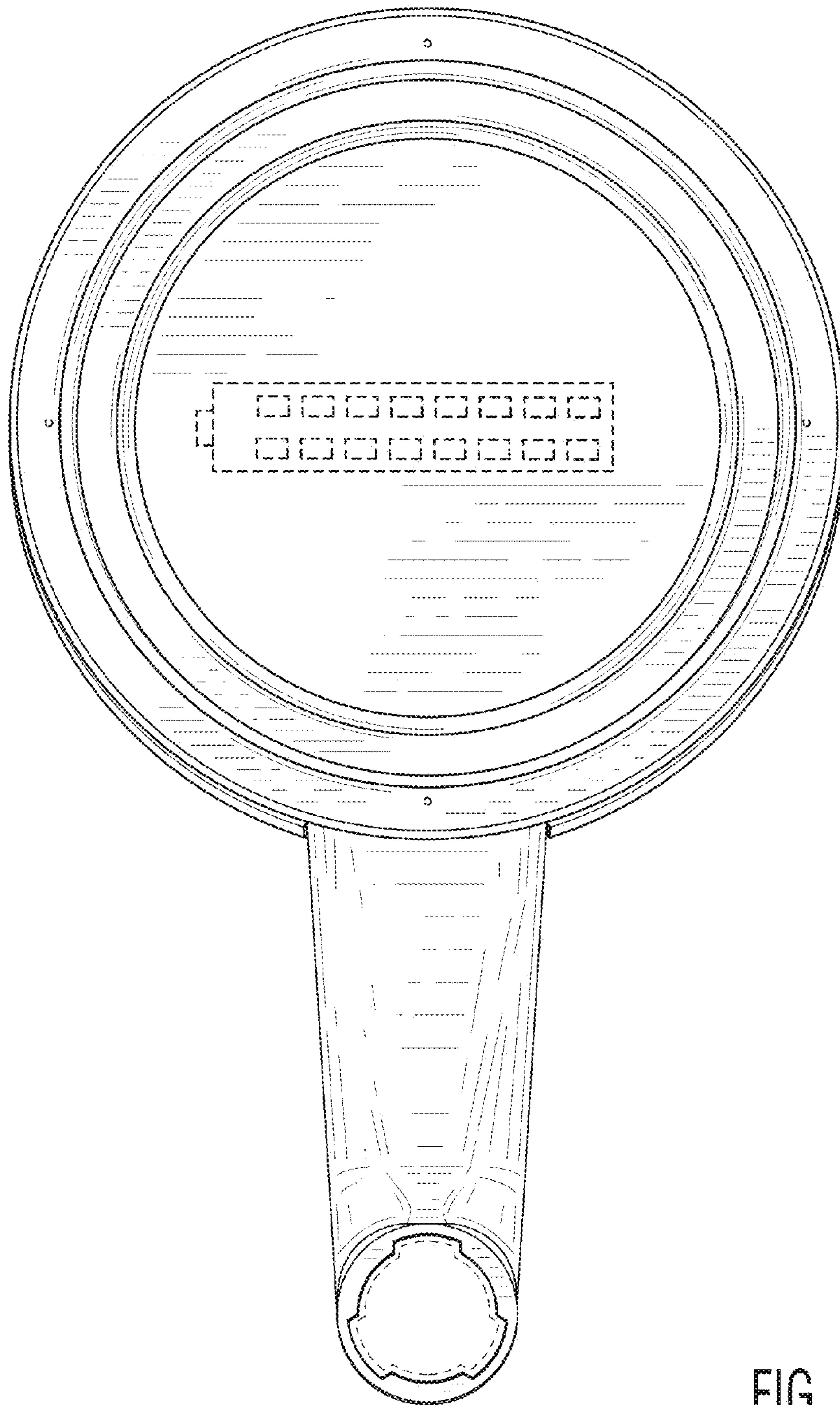


FIG. 8