



US00D711030S

(12) **United States Design Patent**
Zhan

(10) **Patent No.:** **US D711,030 S**

(45) **Date of Patent:** **** Aug. 12, 2014**

(54) **LED SPOT LIGHT**

(71) Applicant: **Xiao-Ming Zhan**, Fuzhou (CN)

(72) Inventor: **Xiao-Ming Zhan**, Fuzhou (CN)

(73) Assignee: **Fuzhou F&V Photographic
Equipment Co., Ltd.**, Fuzhou, Fujian
(CN)

(**) Term: **14 Years**

(21) Appl. No.: **29/451,707**

(22) Filed: **Apr. 6, 2013**

(51) **LOC (10) Cl.** **26-05**

(52) **U.S. Cl.**
USPC **D26/65**

(58) **Field of Classification Search**
CPC F21Y 2103/002; F21Y 2101/02; F21S
10/00; F21V 21/30; F21V 14/02; F21V 21/00
USPC D26/60-66, 72, 87, 92, 102, 86;
362/145, 147, 269-271, 277, 282, 285,
362/289, 287, 640, 418, 427, 264, 294, 449,
362/268, 310, 311.01, 371-373

See application file for complete search history.

(56) **References Cited**

U.S. PATENT DOCUMENTS

D322,135 S *	12/1991	Wierzbicki et al.	D26/63
D645,184 S *	9/2011	Zhan	D26/63
D690,857 S *	10/2013	Blincoe et al.	D26/63
D693,397 S *	11/2013	Zhan	D26/63
D693,508 S *	11/2013	Fletcher et al.	D26/63
D695,435 S *	12/2013	Pedersen	D26/63
D699,877 S *	2/2014	Song et al.	D26/63
D700,726 S *	3/2014	Kim et al.	D26/63
D702,387 S *	4/2014	Pedersen	D26/63
D702,865 S *	4/2014	Yuen	D26/63
D704,370 S *	5/2014	Su	D26/63

* cited by examiner

Primary Examiner — Brian N Vinson

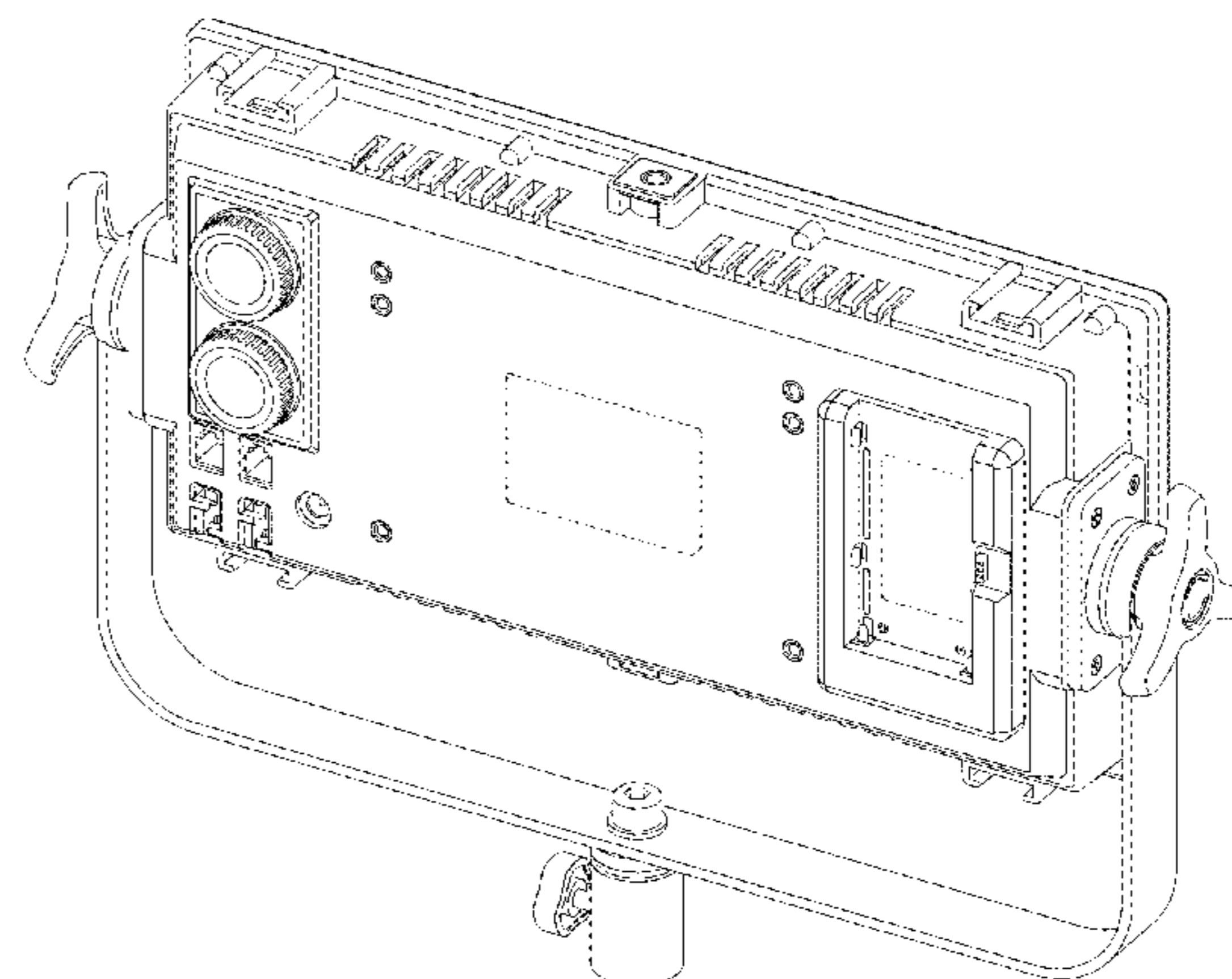
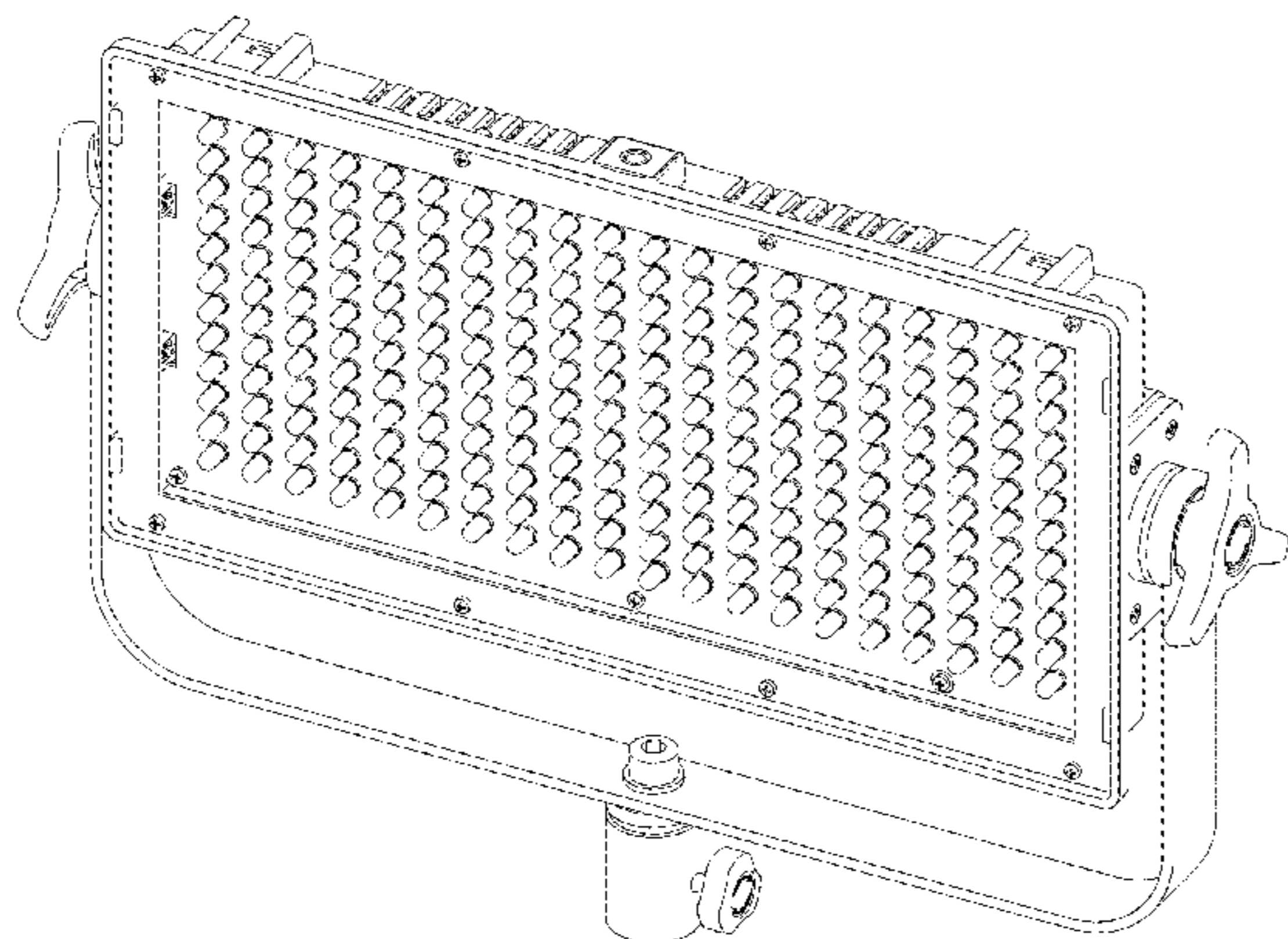
(57) **CLAIM**

The ornamental design for a LED spot light, as shown and described.

DESCRIPTION

FIG. 1 is a perspective view of LED spot light showing my present design,
FIG. 2 is another perspective view of LED spot light showing my present design,
FIG. 3 is a front view thereof;
FIG. 4 is a rear view thereof;
FIG. 5 is a left side view thereof;
FIG. 6 is a right side view thereof;
FIG. 7 is a top view thereof; and,
FIG. 8 is a bottom view thereof.

1 Claim, 8 Drawing Sheets



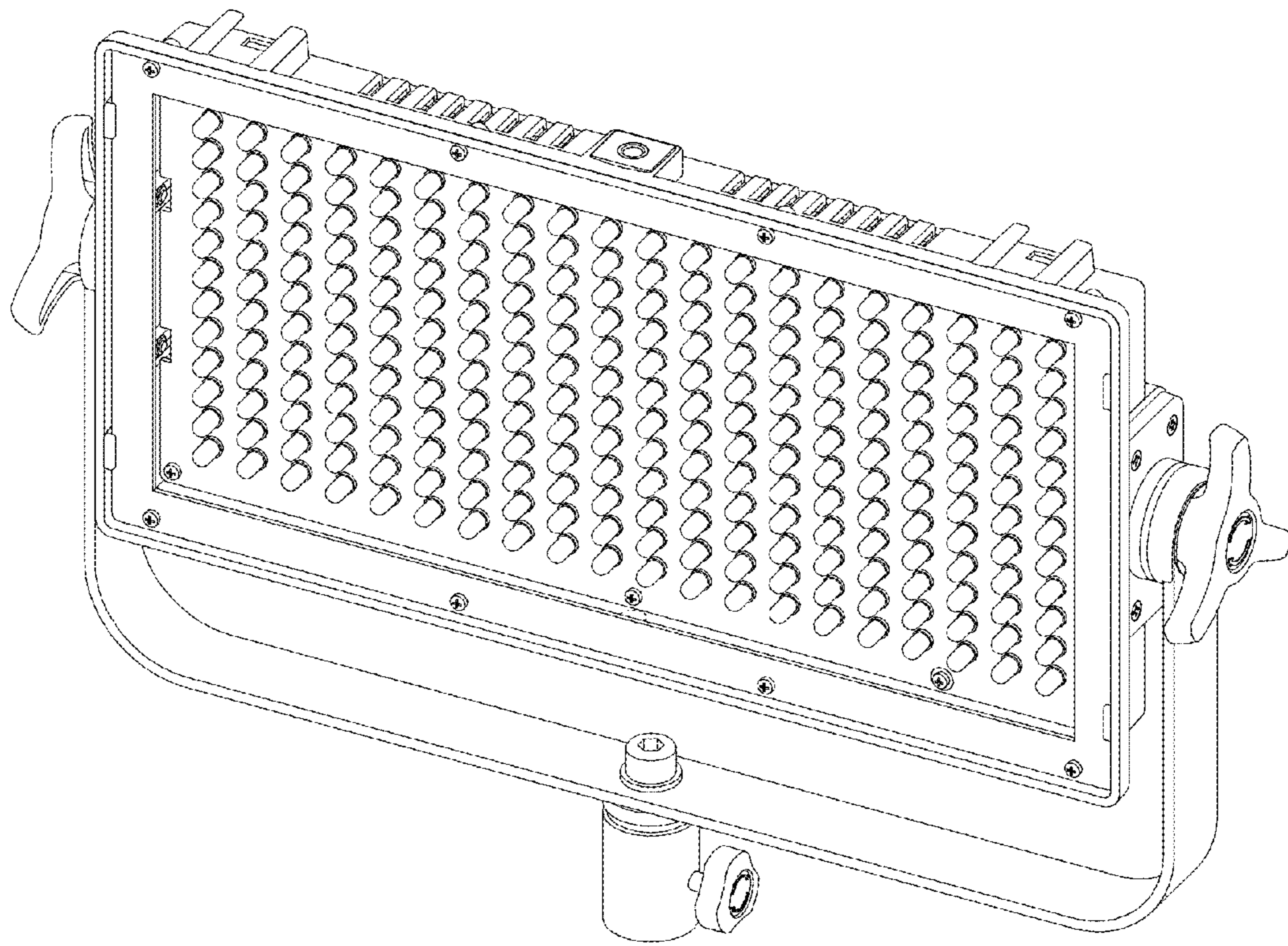


FIG. 1

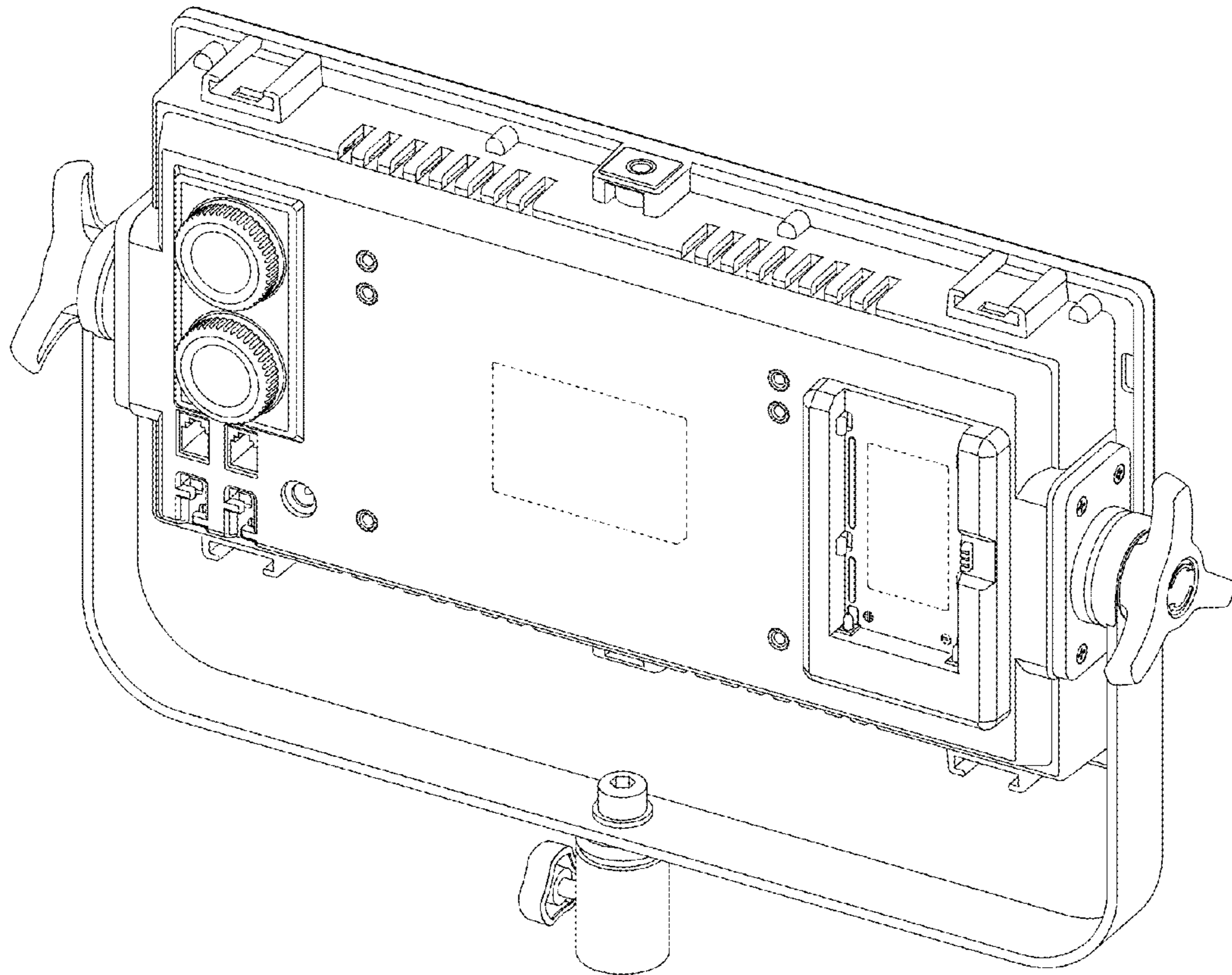


FIG. 2

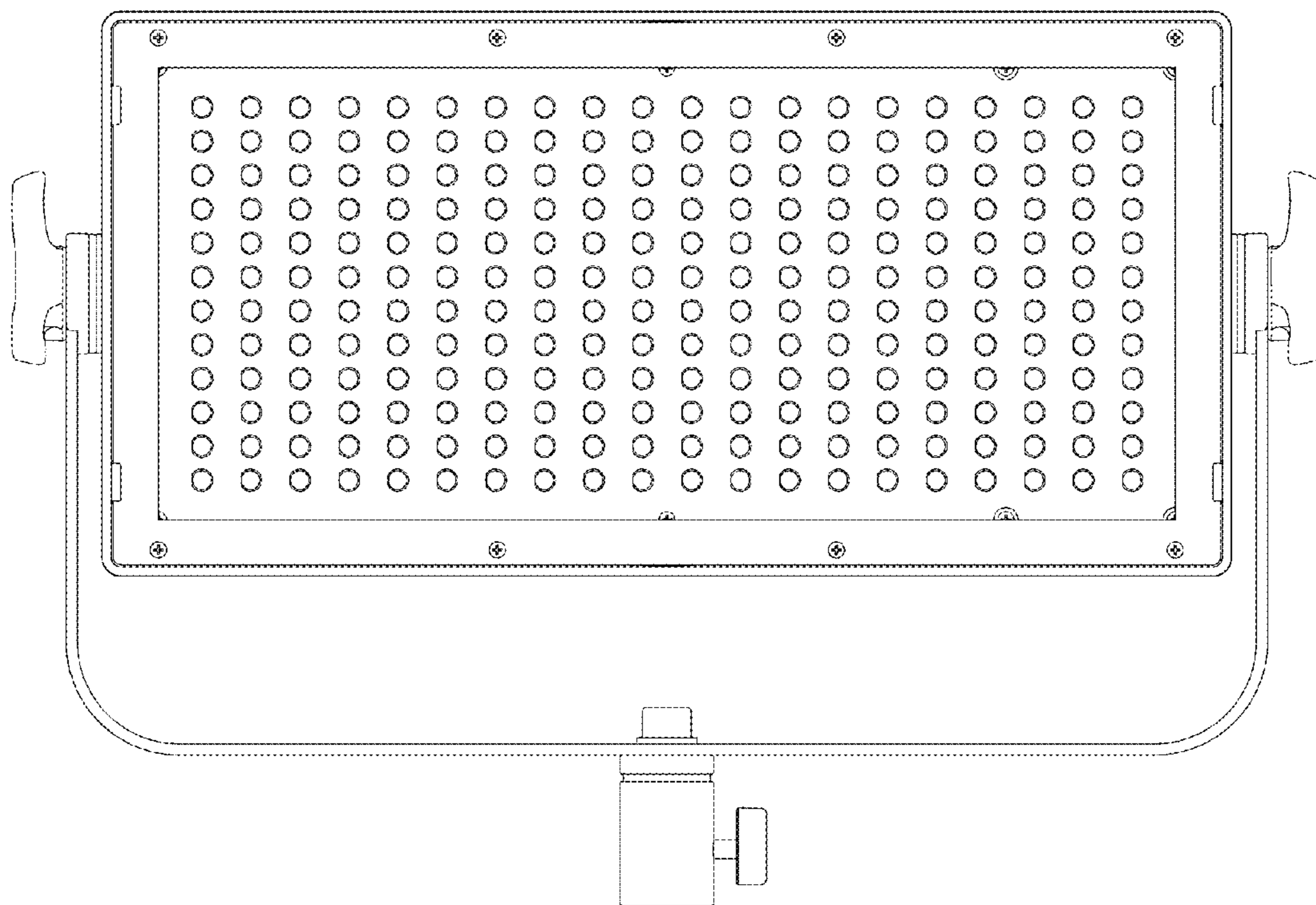


FIG. 3

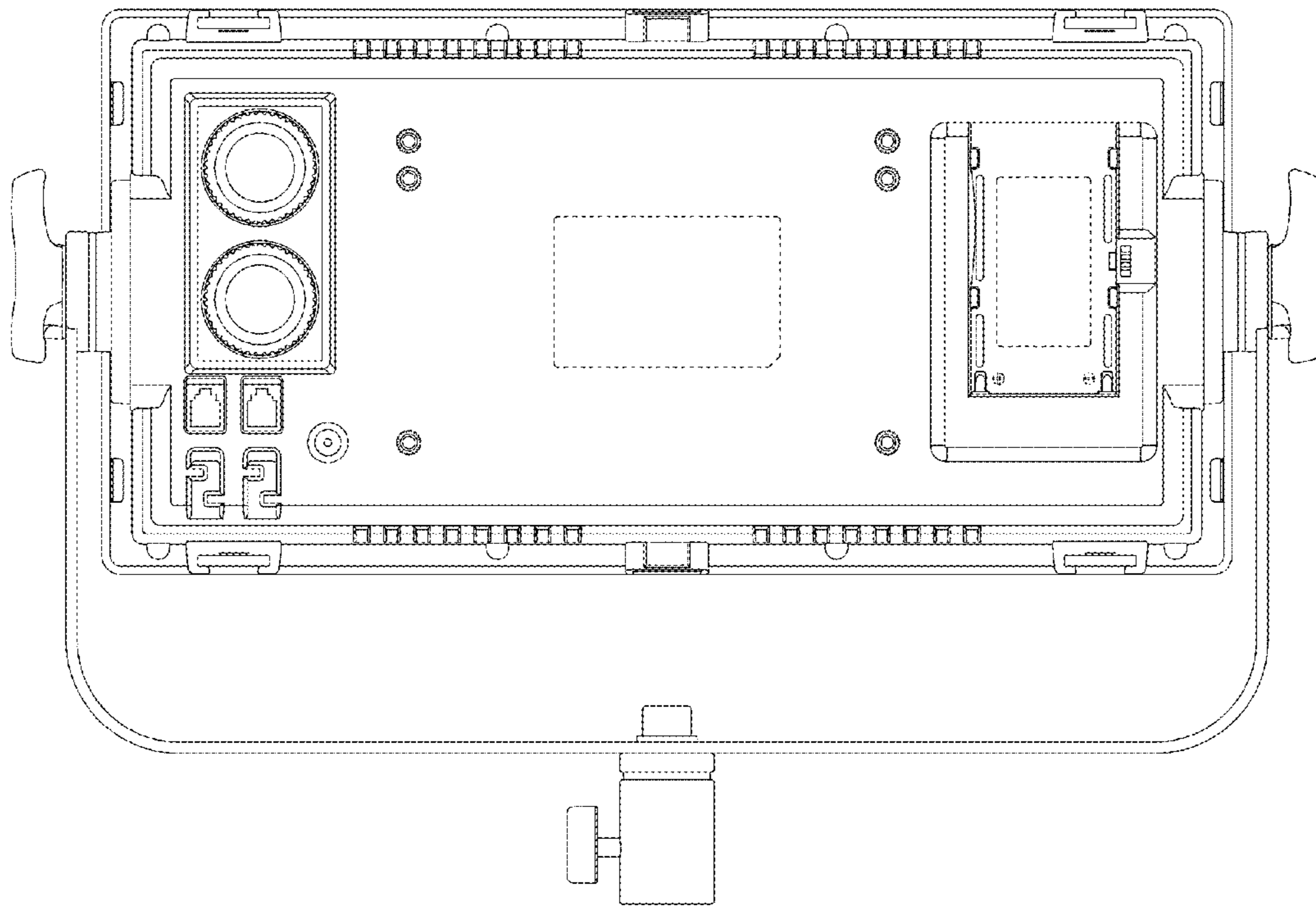
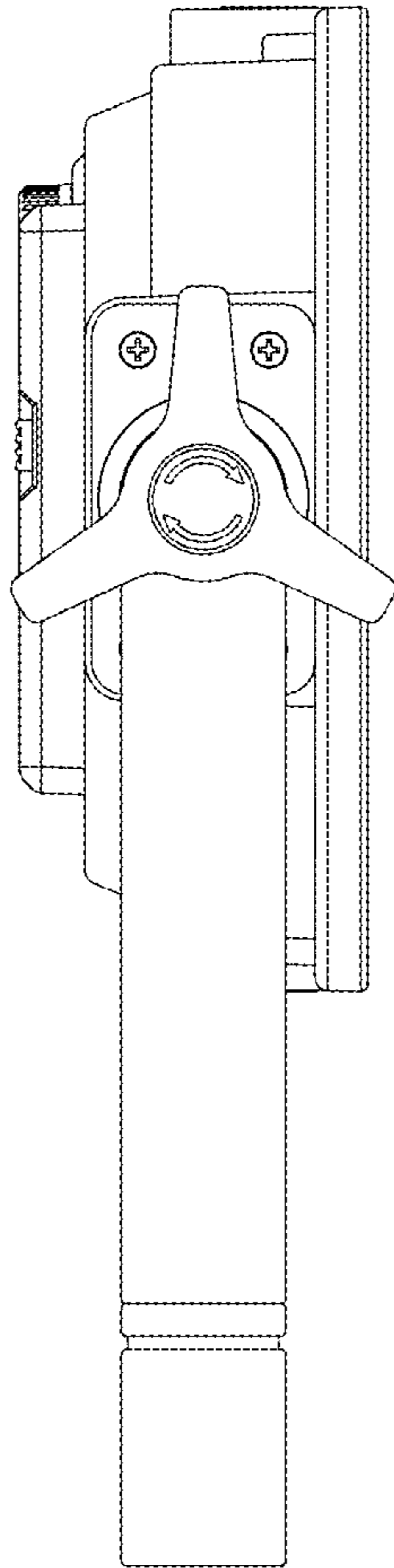
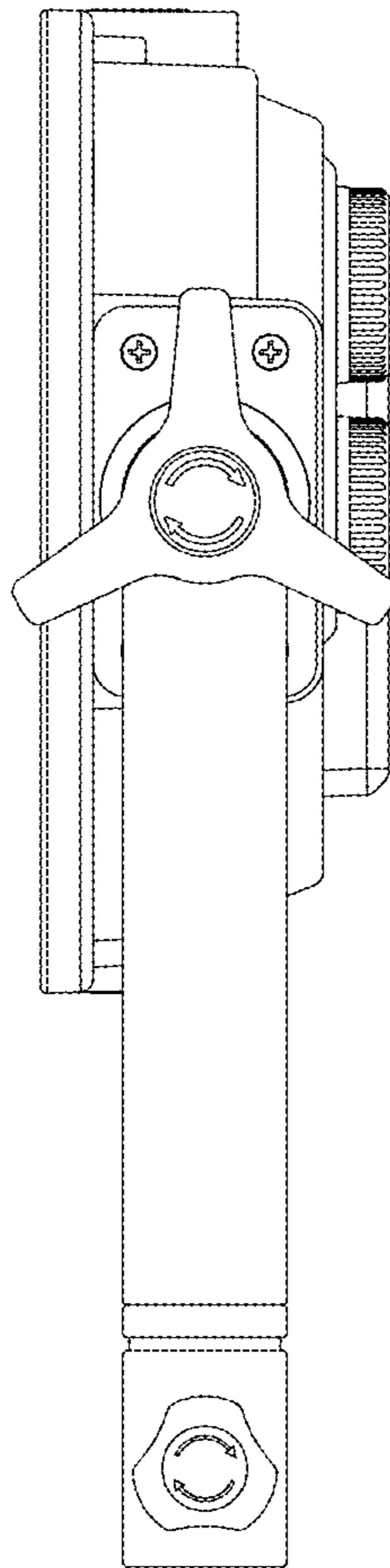


FIG. 4



F I G. 5



F I G. 6

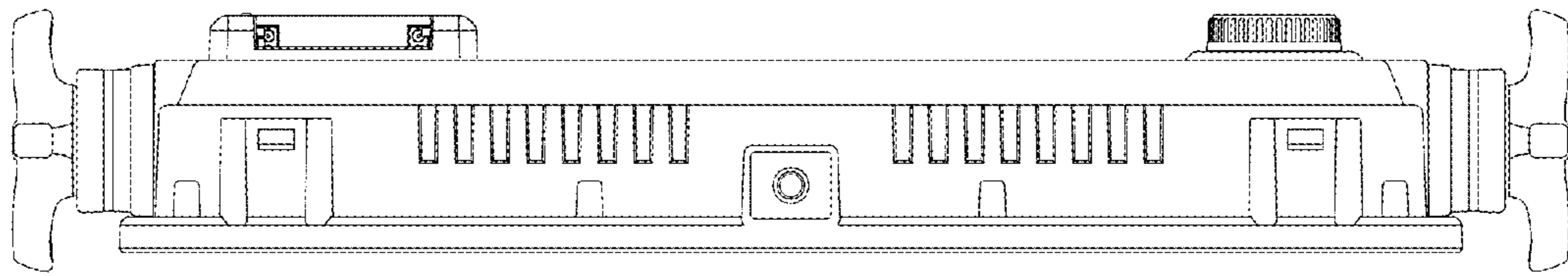


FIG. 7

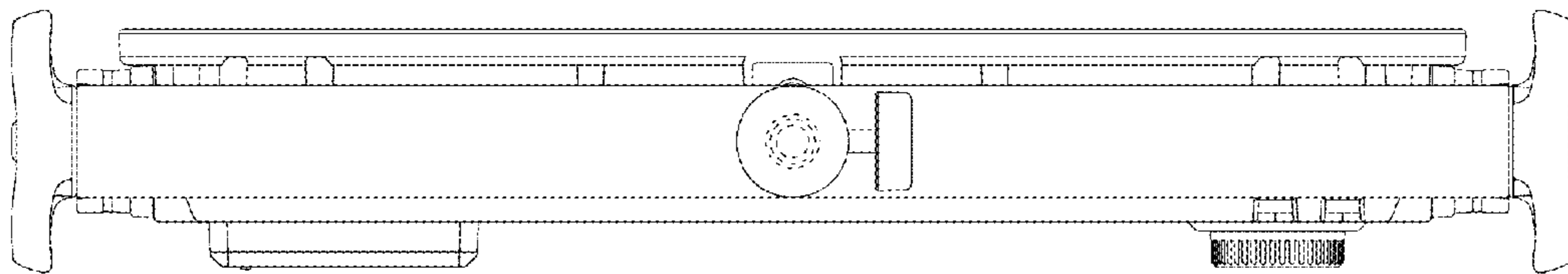


FIG. 8