



US00D711029S

(12) **United States Design Patent**
Schnell

(10) **Patent No.:** **US D711,029 S**

(45) **Date of Patent:** **** Aug. 12, 2014**

(54) **HAND HELD LIGHT**

(71) Applicant: **IP Holdings, Inc.**, Fort Worth, TX (US)

(72) Inventor: **Tim Schnell**, Rancho Santa Fe, CA (US)

(73) Assignee: **IP Holdings, Inc.**, Fort Worth, TX (US)

(**) Term: **14 Years**

(21) Appl. No.: **29/447,781**

(22) Filed: **Mar. 6, 2013**

(51) **LOC (10) Cl.** **26-02**

(52) **U.S. Cl.**
USPC **D26/45**

(58) **Field of Classification Search**
USPC D26/37, 45, 46, 48, 49, 50; 362/157,
362/158, 183, 184, 194–196, 202–208
See application file for complete search history.

(56) **References Cited**

U.S. PATENT DOCUMENTS

D434,513 S	*	11/2000	Poon	D26/45
D436,200 S	*	1/2001	Cheong et al.	D26/45
D441,112 S	*	4/2001	Krieger et al.	D26/45
D469,905 S	*	2/2003	Levine et al.	D26/45
D500,155 S	*	12/2004	Lee	D26/45
D526,731 S	*	8/2006	Cheung et al.	D26/45

D532,136 S	*	11/2006	Krieger et al.	D26/45
D605,796 S	*	12/2009	Crawford et al.	D26/45
D628,326 S	*	11/2010	Ng	D26/45
D658,325 S	*	4/2012	Inskeep	D26/45
D673,705 S	*	1/2013	Inskeep	D26/45

* cited by examiner

Primary Examiner — Ian Simmons

Assistant Examiner — Carissa C Fitts

(74) *Attorney, Agent, or Firm* — Knobbe Martens Olson & Bear LLP

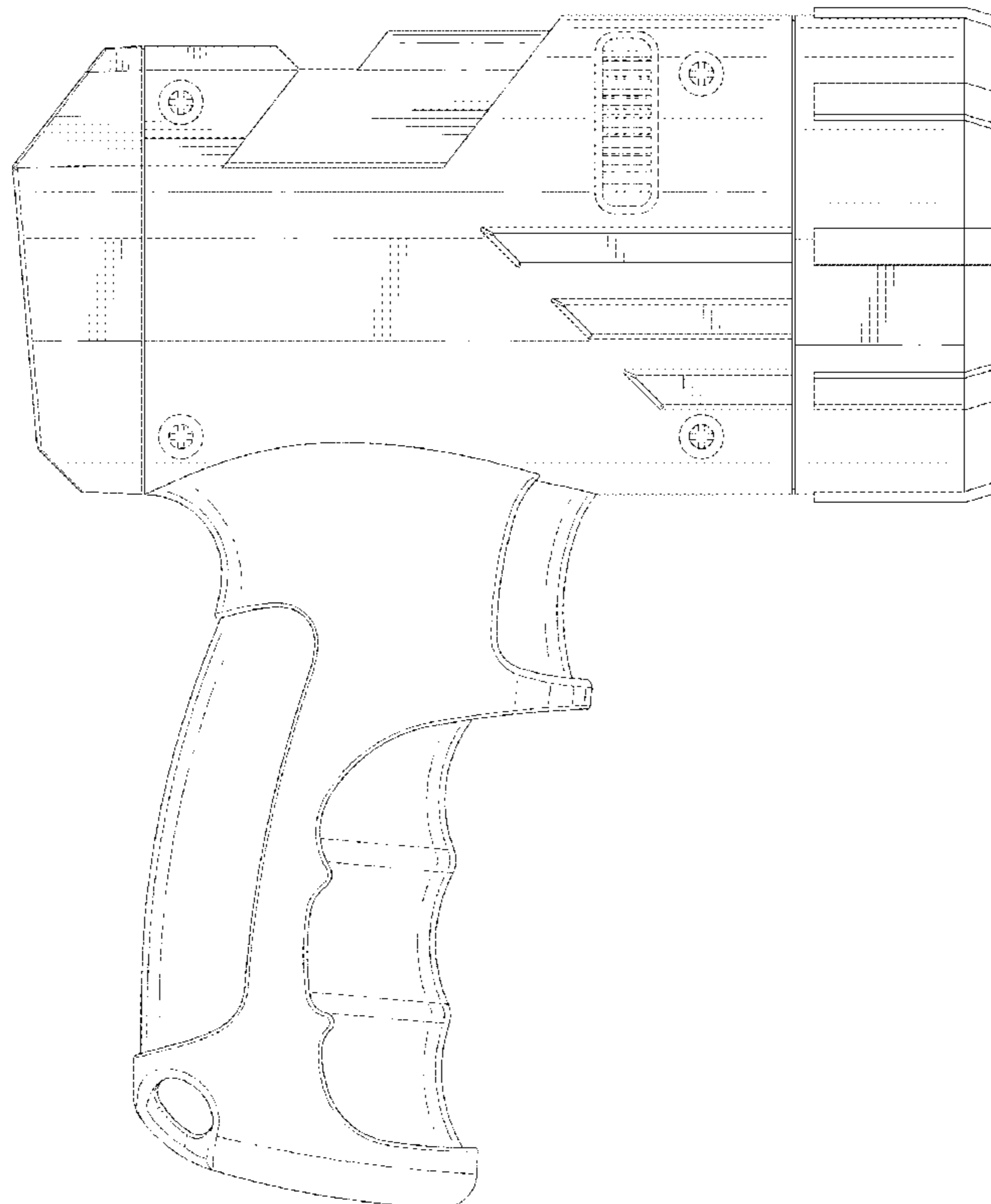
(57) **CLAIM**

The ornamental design for a hand held light, as shown and described.

DESCRIPTION

FIG. 1 is a front plan view of a hand held light in accordance with the present invention;
FIG. 2 is a back plan view of the hand held light of FIG. 1;
FIG. 3 is a left side view of the hand held light of FIG. 1;
FIG. 4 is a right side view of the hand held light of FIG. 1;
FIG. 5 is a top plan side view of the hand held light of FIG. 1;
and,
FIG. 6 is a bottom plan view of the hand held light of FIG. 1.
The broken lines showing are for environmental purposes only and form no part of the claimed design.

1 Claim, 5 Drawing Sheets



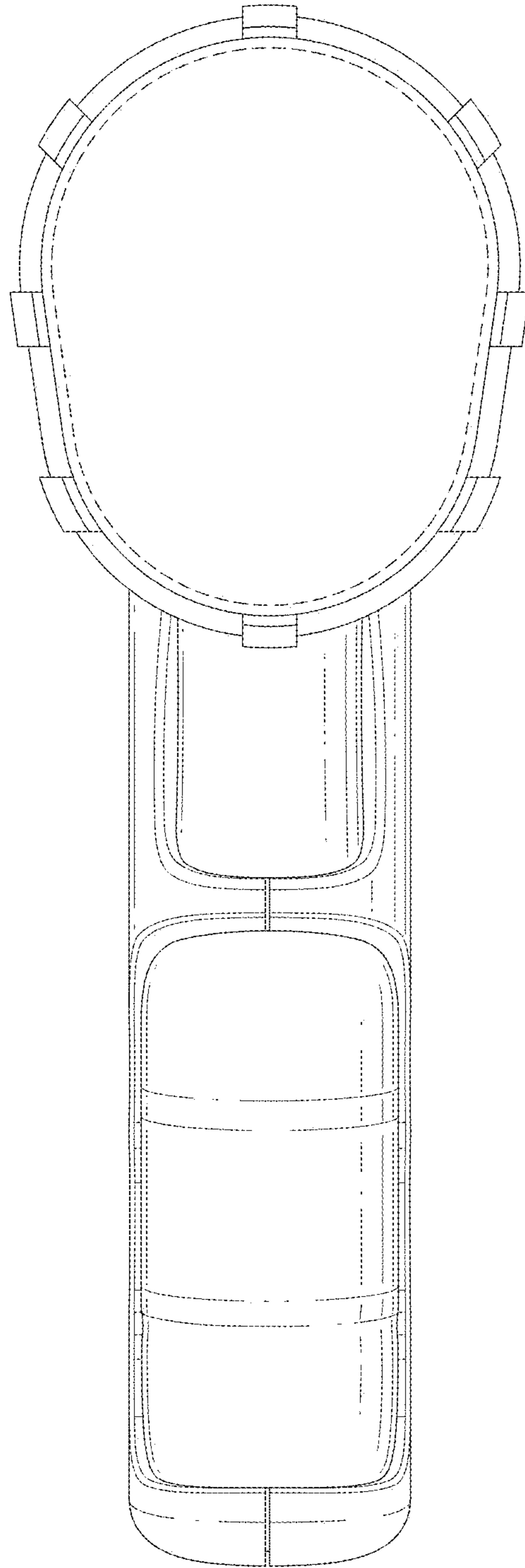


FIG. 1

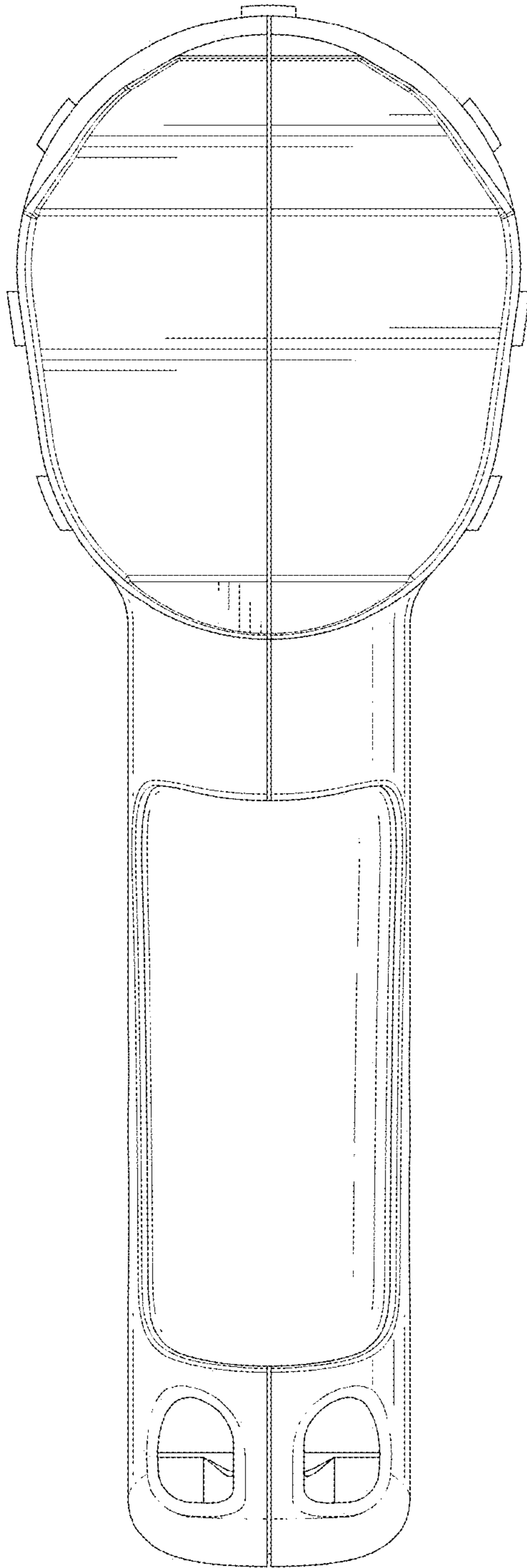


FIG. 2

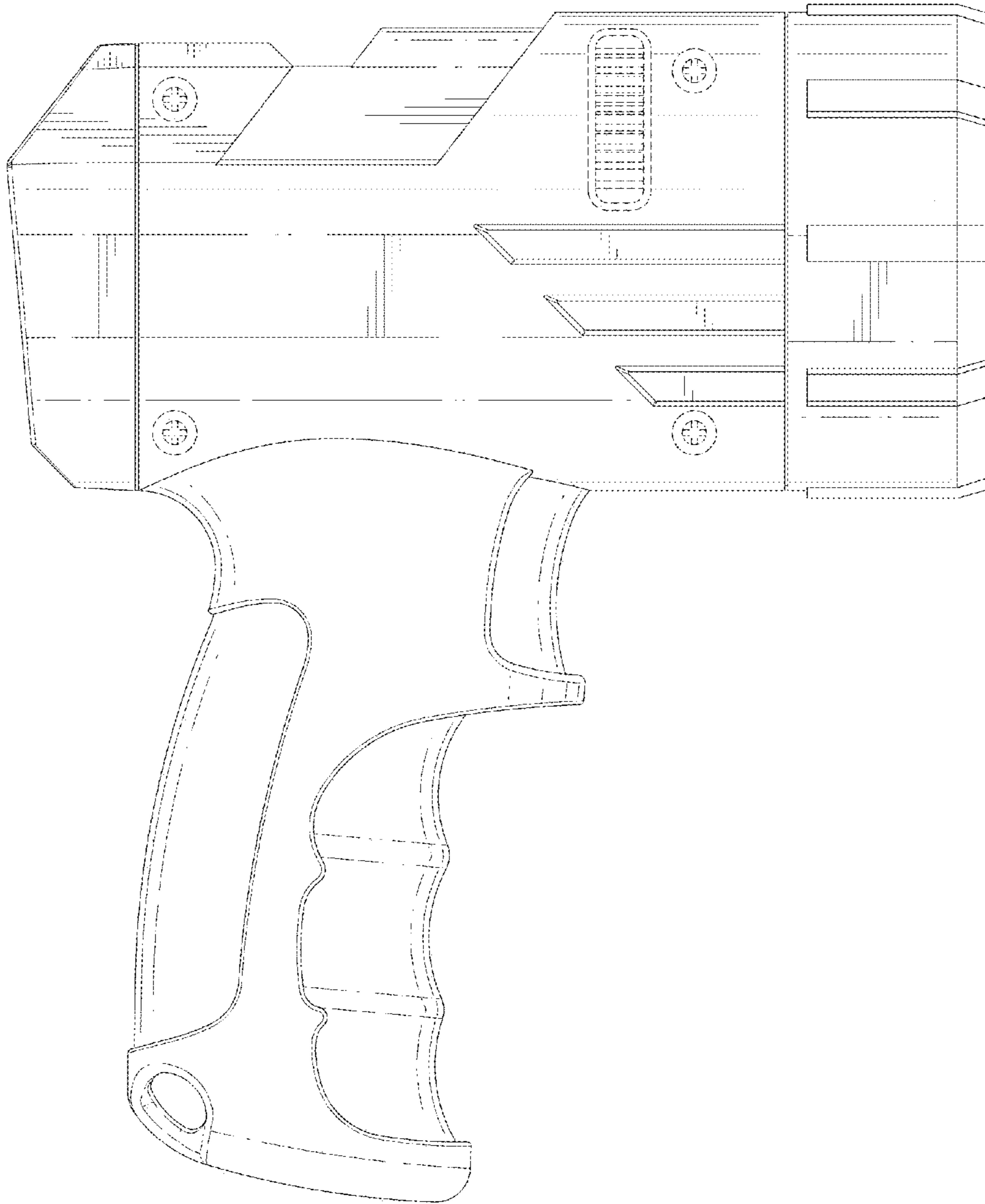


FIG. 3

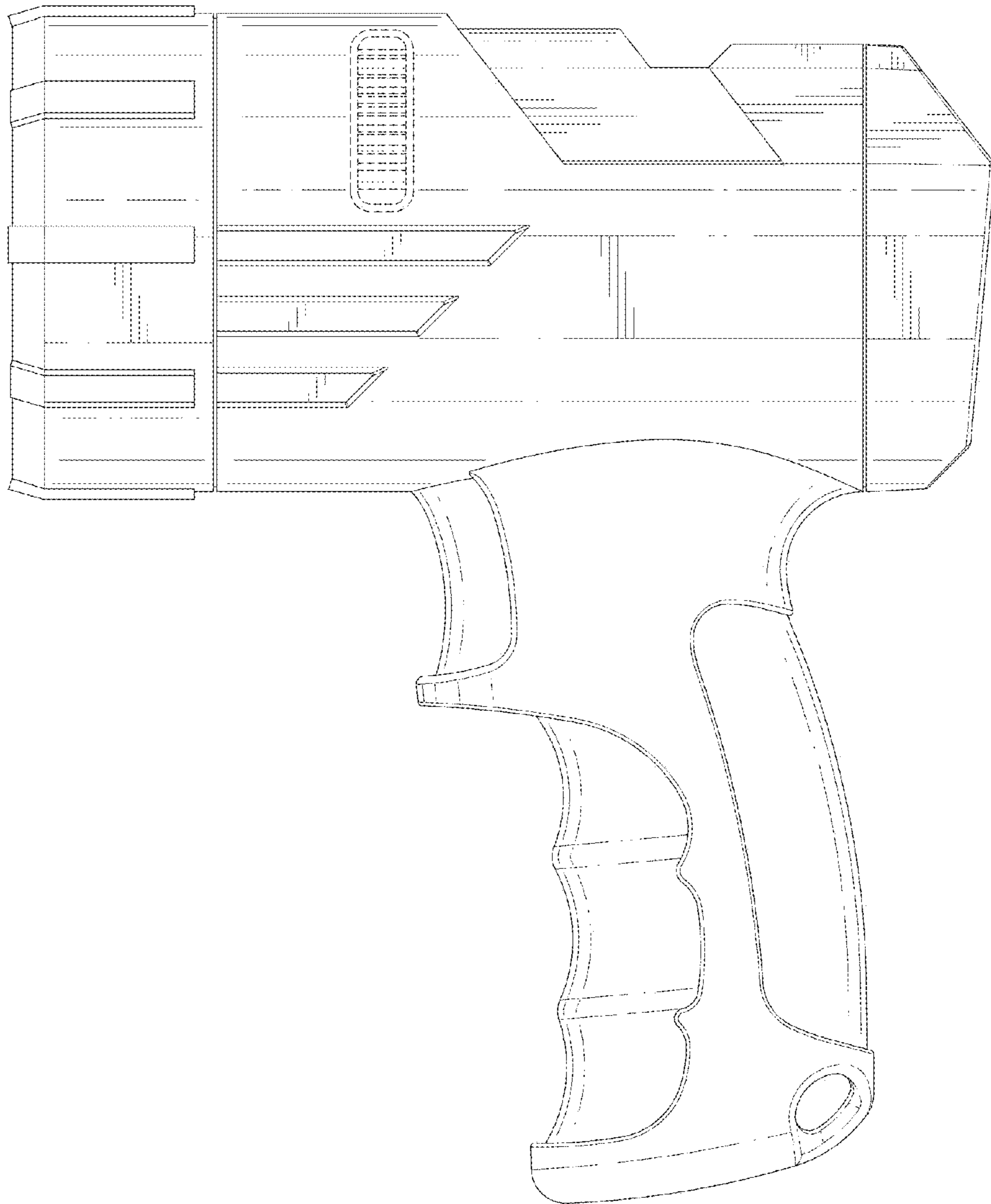


FIG. 4

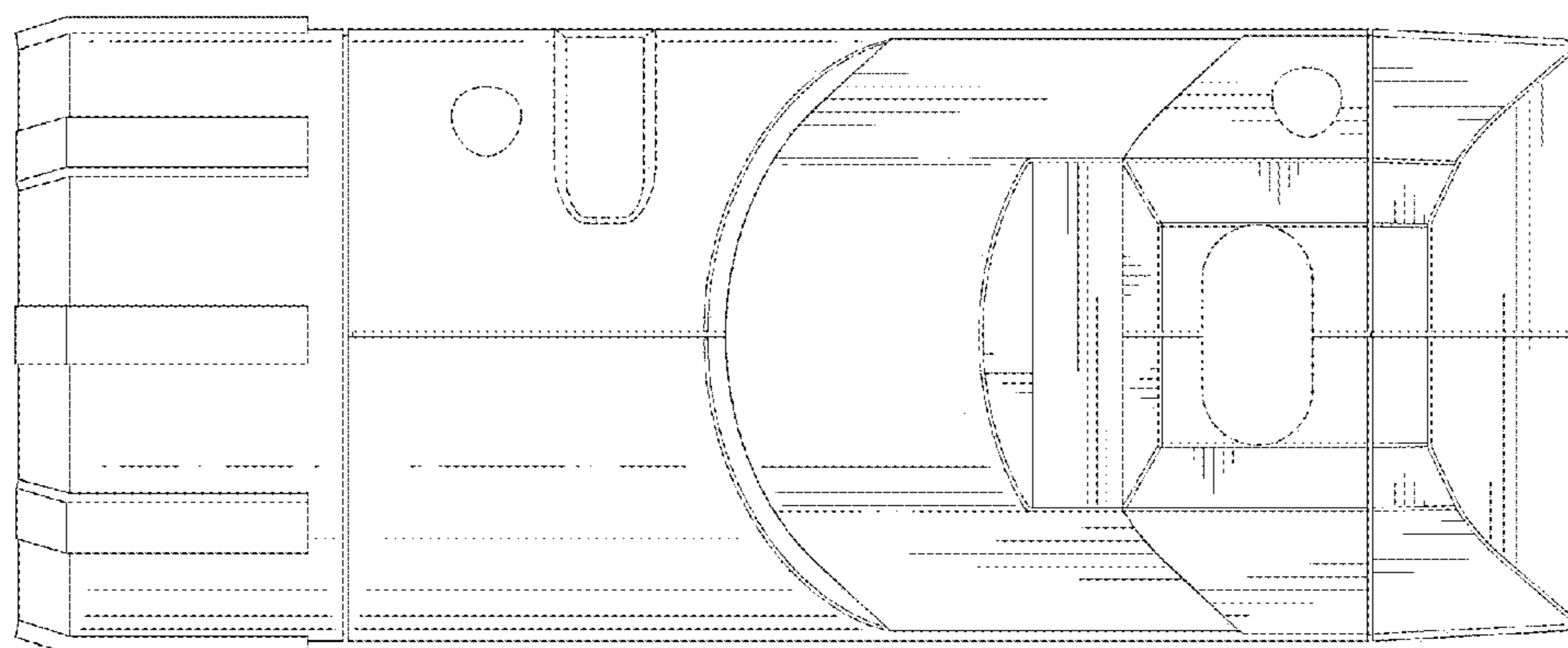


FIG. 5

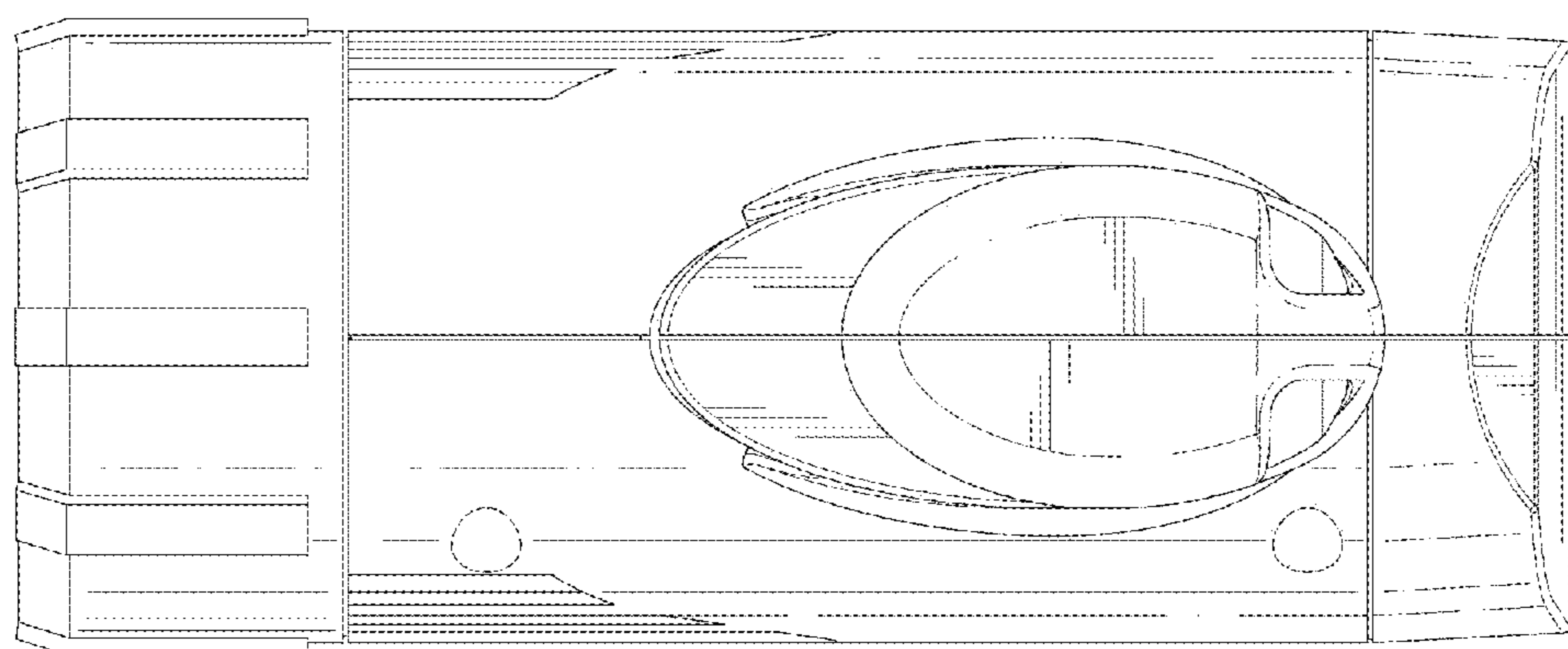


FIG. 6