



US00D711028S

(12) **United States Design Patent**
Pritchett

(10) **Patent No.:** **US D711,028 S**

(45) **Date of Patent:** **** Aug. 12, 2014**

(54) **FLASHLIGHT**

(71) Applicant: **Ronnie Pritchett**, Ramona, CA (US)

(72) Inventor: **Ronnie Pritchett**, Ramona, CA (US)

(**) Term: **14 Years**

(21) Appl. No.: **29/437,370**

(22) Filed: **Nov. 15, 2012**

(51) **LOC (10) Cl.** **26-02**

(52) **U.S. Cl.**
USPC **D26/37**

(58) **Field of Classification Search**
USPC D26/37, 38, 39, 42, 46; 362/157, 158,
362/183, 184, 194–196, 200–208
See application file for complete search history.

(56) **References Cited**

U.S. PATENT DOCUMENTS

D231,011 S *	3/1974	Vic	D26/46
D480,826 S *	10/2003	Englert et al.	D26/49
D505,507 S *	5/2005	Han-Shim	D26/42
D507,370 S *	7/2005	Marshall et al.	D26/37
D516,234 S *	2/2006	Holsinger et al.	D26/37
D523,576 S *	6/2006	Chen et al.	D26/38
D548,388 S *	8/2007	Cormier et al.	D26/120

D593,694 S *	6/2009	Bent	D26/37
D636,509 S *	4/2011	Killion et al.	D26/46
D636,510 S *	4/2011	Killion et al.	D26/46
D636,513 S *	4/2011	Furtsch	D26/51
D646,007 S *	9/2011	Tompkin	D26/46
D676,993 S *	2/2013	Kotsis et al.	D26/46
2005/0052862 A1 *	3/2005	Bruwer et al.	362/157

* cited by examiner

Primary Examiner — Ian Simmons

Assistant Examiner — Carissa C Fitts

(74) *Attorney, Agent, or Firm* — Novak Druce Connolly
Bove + Quigg LLP

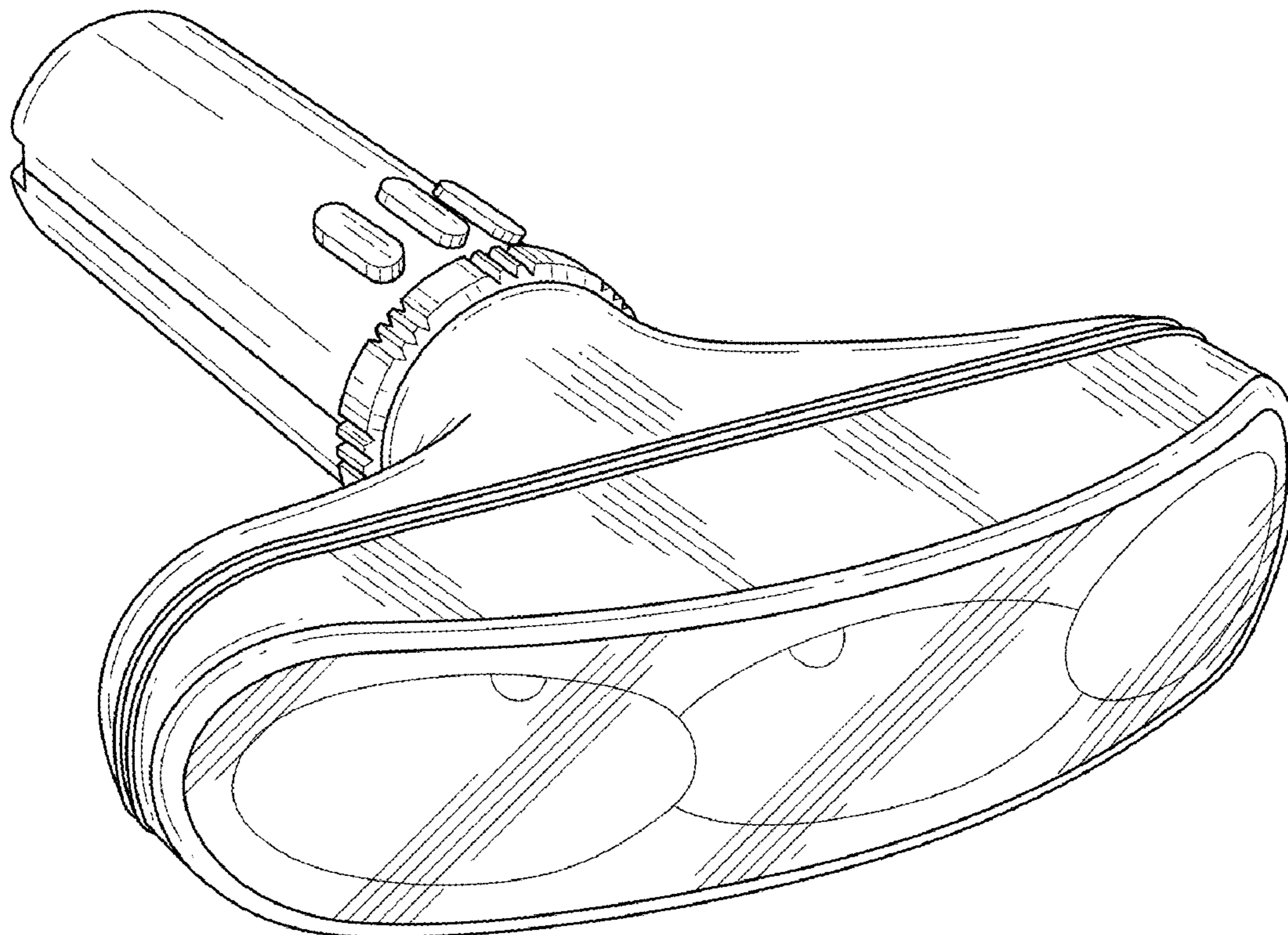
(57) **CLAIM**

The ornamental design for a flashlight, as shown and described.

DESCRIPTION

FIG. 1 is a perspective view showing my new design;
FIG. 2 is a top elevational view thereof;
FIG. 3 is a bottom elevational view thereof;
FIG. 4 is a right side elevational view thereof;
FIG. 5 is a left side elevational view thereof;
FIG. 6 is a front view thereof; and,
FIG. 7 is a rear view thereof.

1 Claim, 3 Drawing Sheets



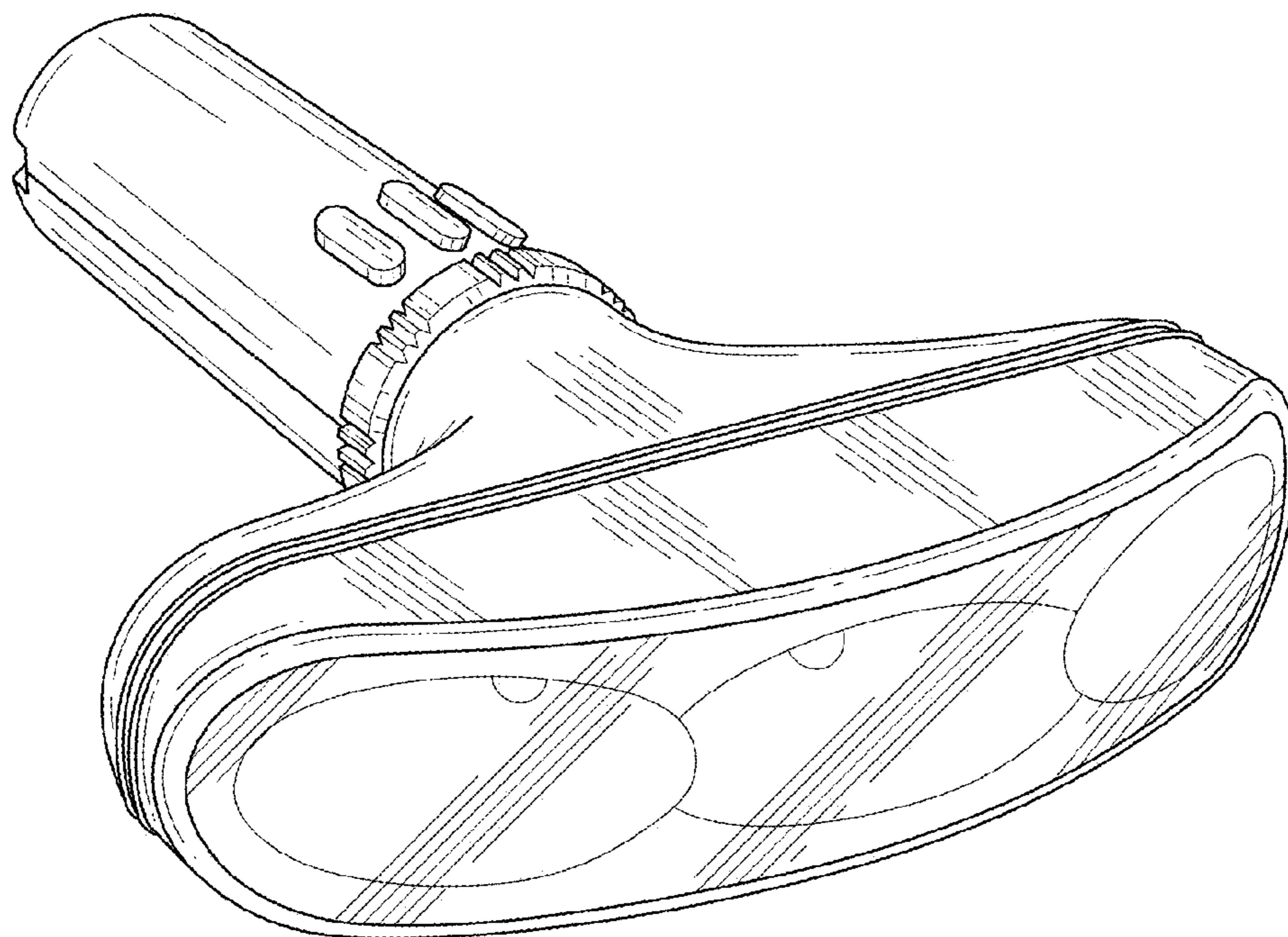


FIG. 1

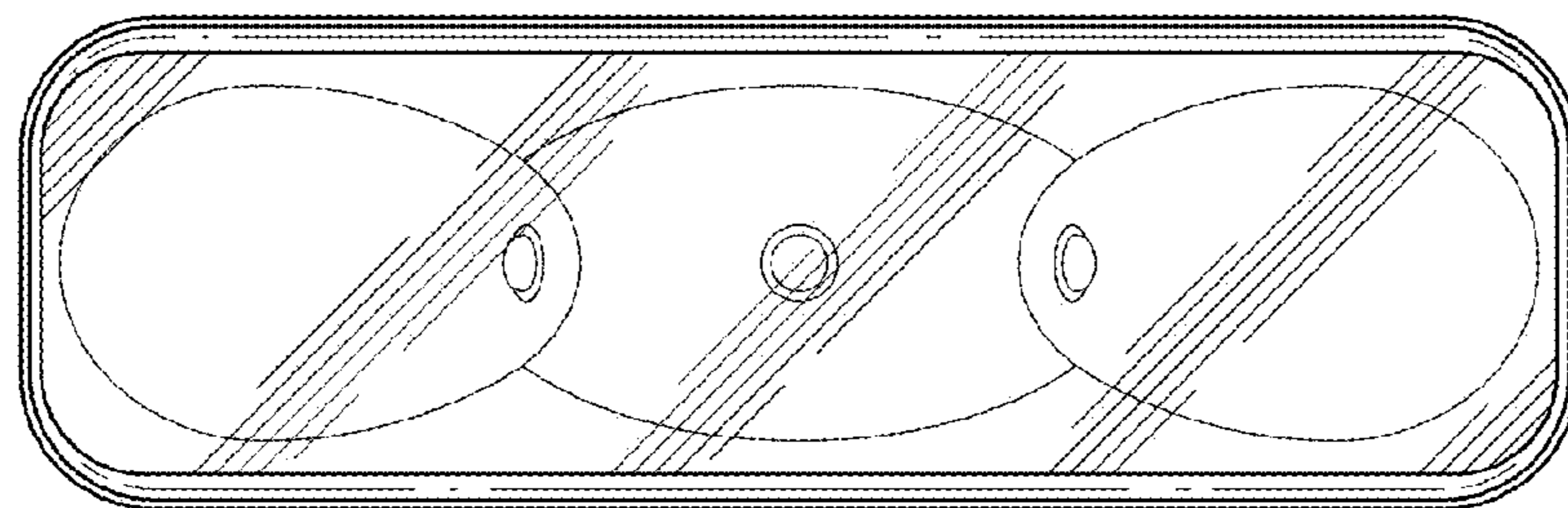


FIG. 2

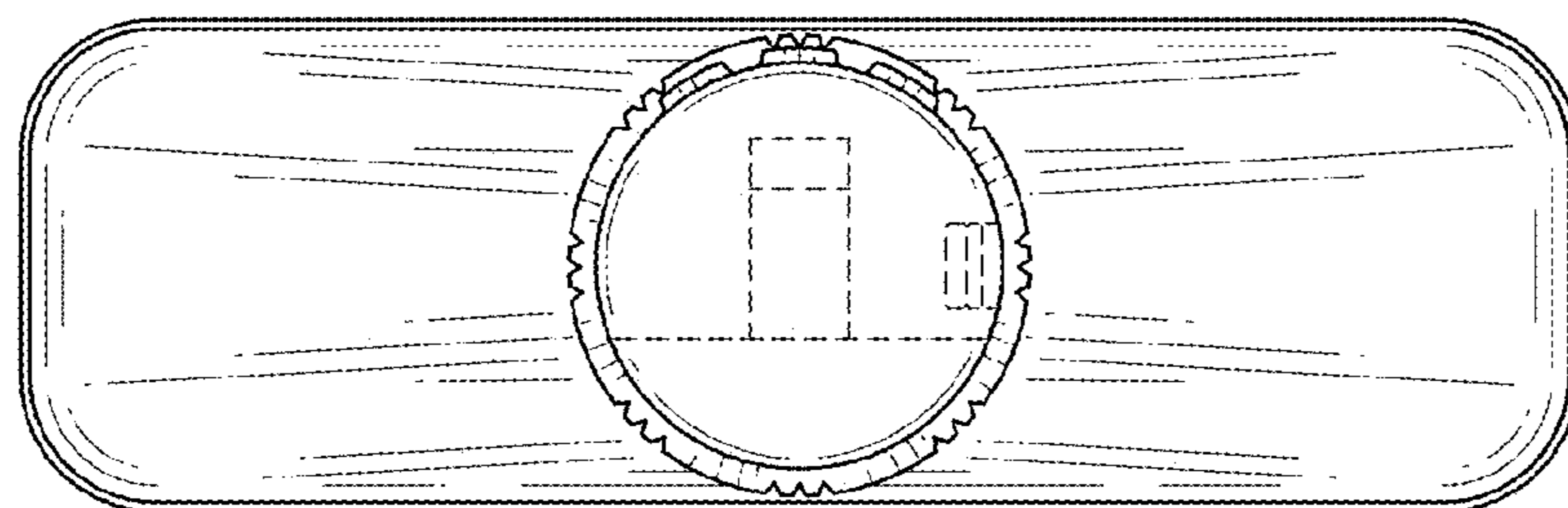


FIG. 3

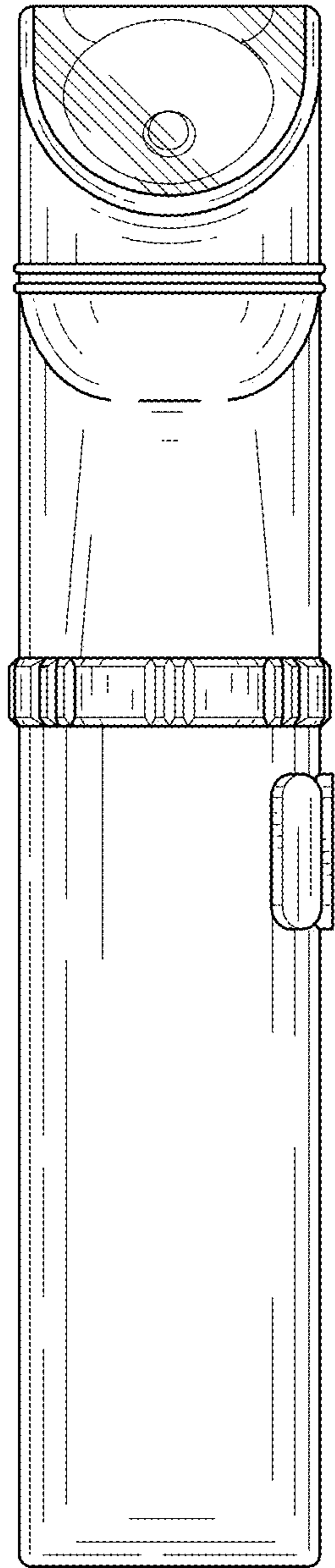


FIG. 4

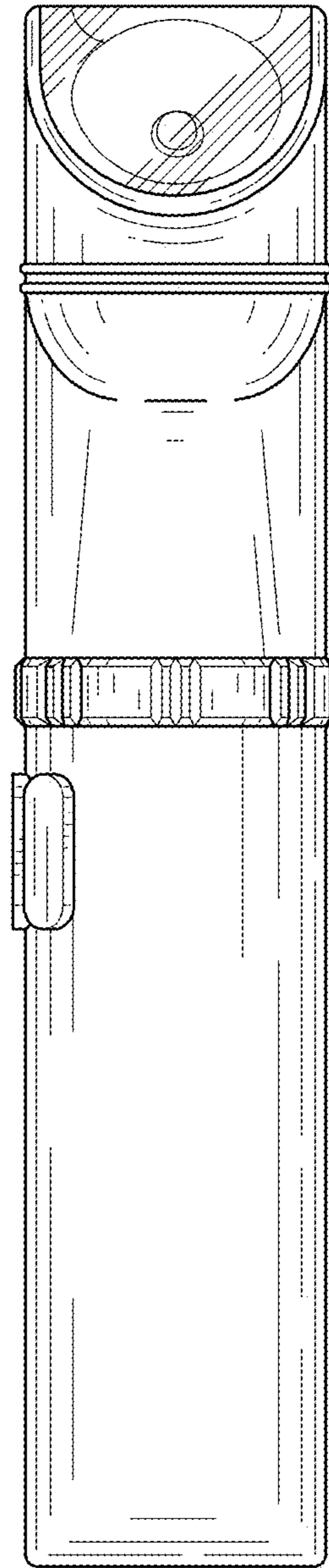


FIG. 5

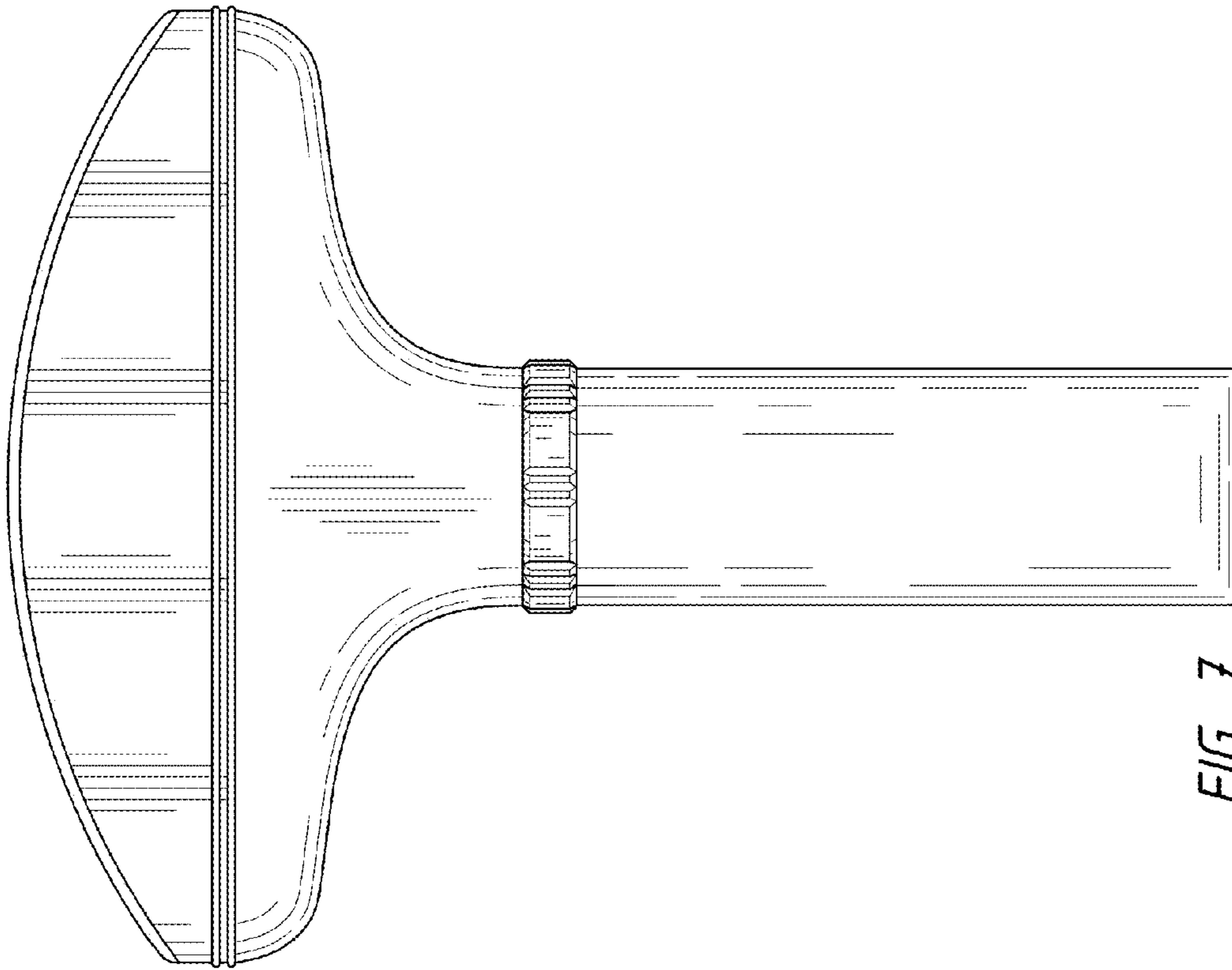


FIG. 7

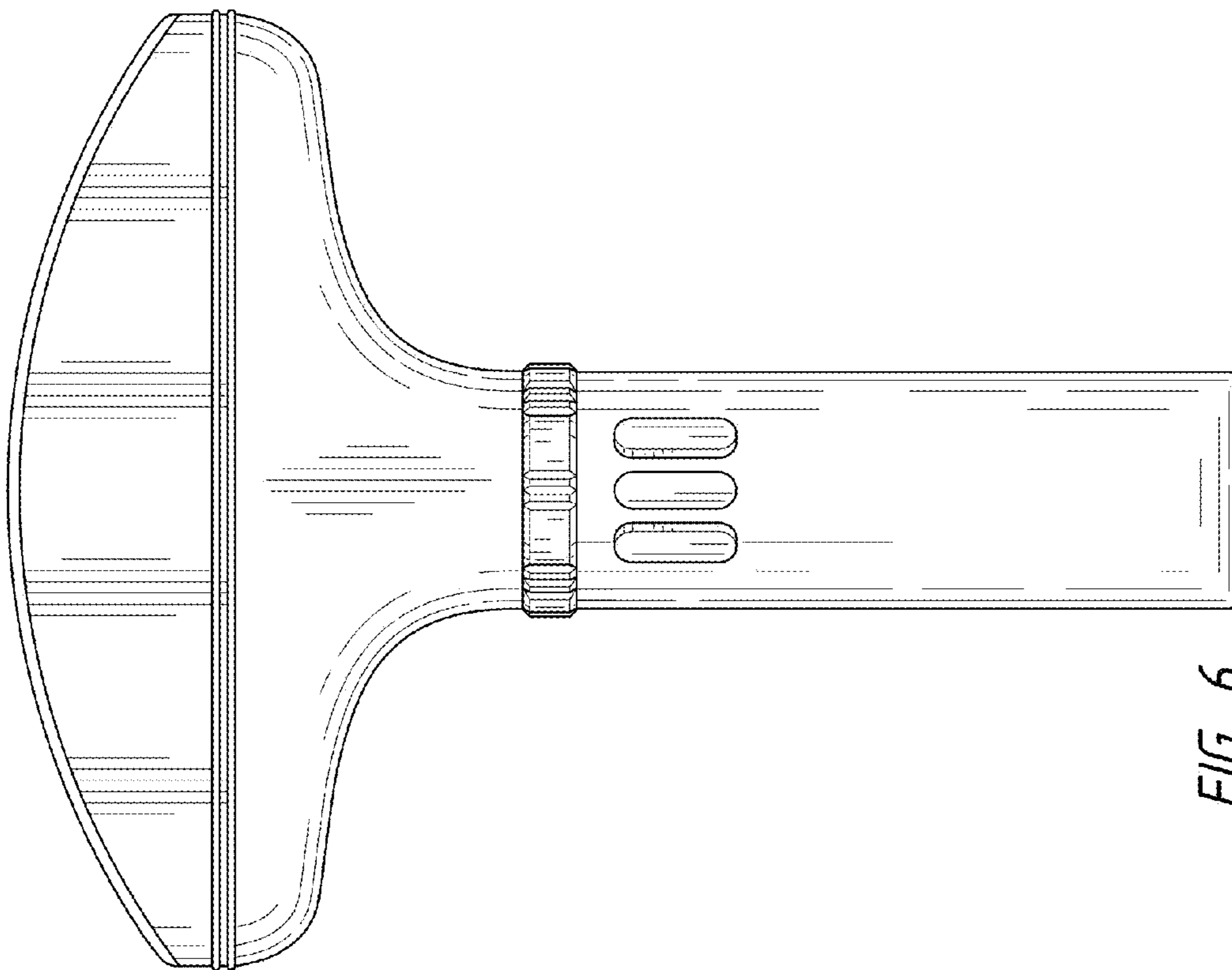


FIG. 6