



US00D711026S

(12) **United States Design Patent**  
**Haumann**

(10) **Patent No.:** **US D711,026 S**

(45) **Date of Patent:** **\*\* Aug. 12, 2014**

(54) **HEADLIGHT**

(75) Inventor: **Rainer Haumann**, Neu-Anspach (DE)

(73) Assignee: **PROPLAST Fahrzeugbeleuchtung GmbH** (DE)

(\*\*) Term: **14 Years**

(21) Appl. No.: **29/429,182**

(22) Filed: **Aug. 8, 2012**

(51) **LOC (10) Cl.** ..... **26-06**

(52) **U.S. Cl.**  
USPC ..... **D26/31**

(58) **Field of Classification Search**  
USPC ..... D26/28-36; 362/61, 80-83, 269,  
362/459-468, 475-478, 485-487  
See application file for complete search history.

(56) **References Cited**

**U.S. PATENT DOCUMENTS**

D331,472 S \* 12/1992 Campbell ..... D26/31  
D499,198 S \* 11/2004 Cowan et al. .... D26/31

D564,683 S \* 3/2008 Roach et al. .... D26/28  
D656,258 S \* 3/2012 Georgitsis et al. .... D26/31  
D676,990 S \* 2/2013 Adams ..... D26/31

\* cited by examiner

*Primary Examiner* — Marcus Jackson

(74) *Attorney, Agent, or Firm* — Kaplan Breyer Schwarz & Ottesen, LLP

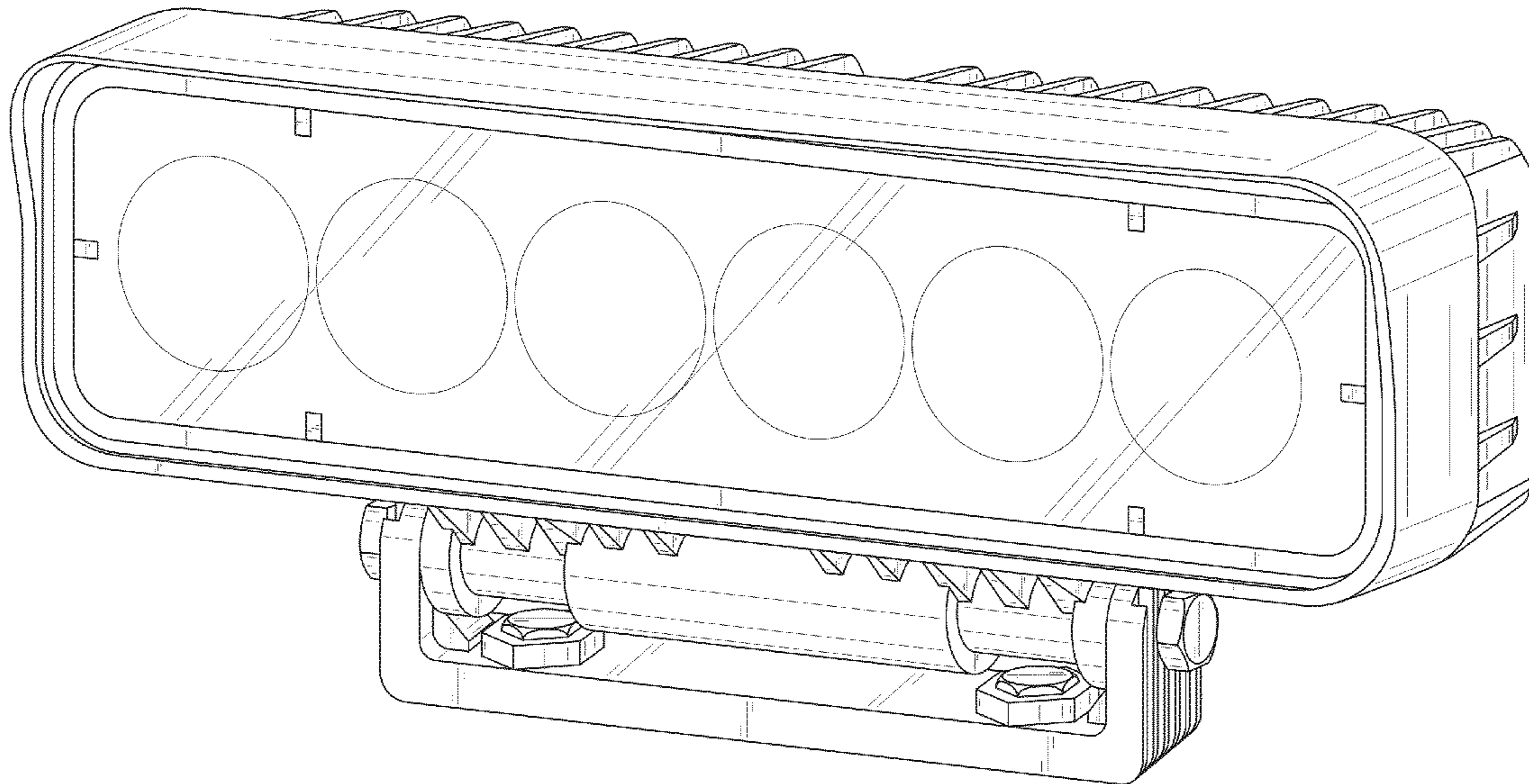
(57) **CLAIM**

The ornamental design for a headlight, as shown.

**DESCRIPTION**

FIG. 1 is a perspective view of a headlight, showing my new design.  
FIG. 2 is a front elevational view thereof;  
FIG. 3 is a rear elevational view thereof;  
FIG. 4 is a right side elevational view thereof;  
FIG. 5 is a left side elevational view thereof;  
FIG. 6 is a top plan view thereof; and,  
FIG. 7 is a bottom plan view thereof.

**1 Claim, 6 Drawing Sheets**



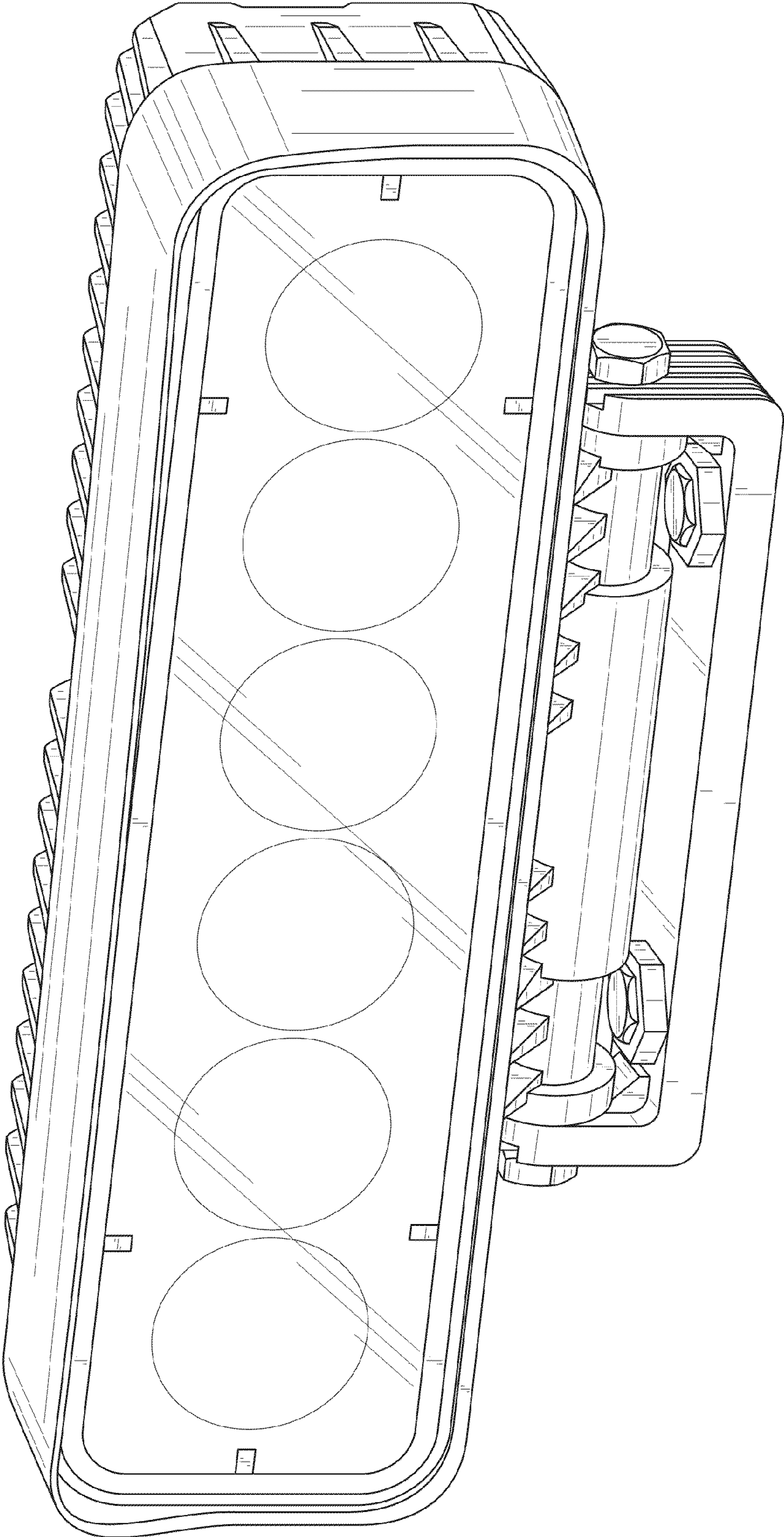


FIG. 1

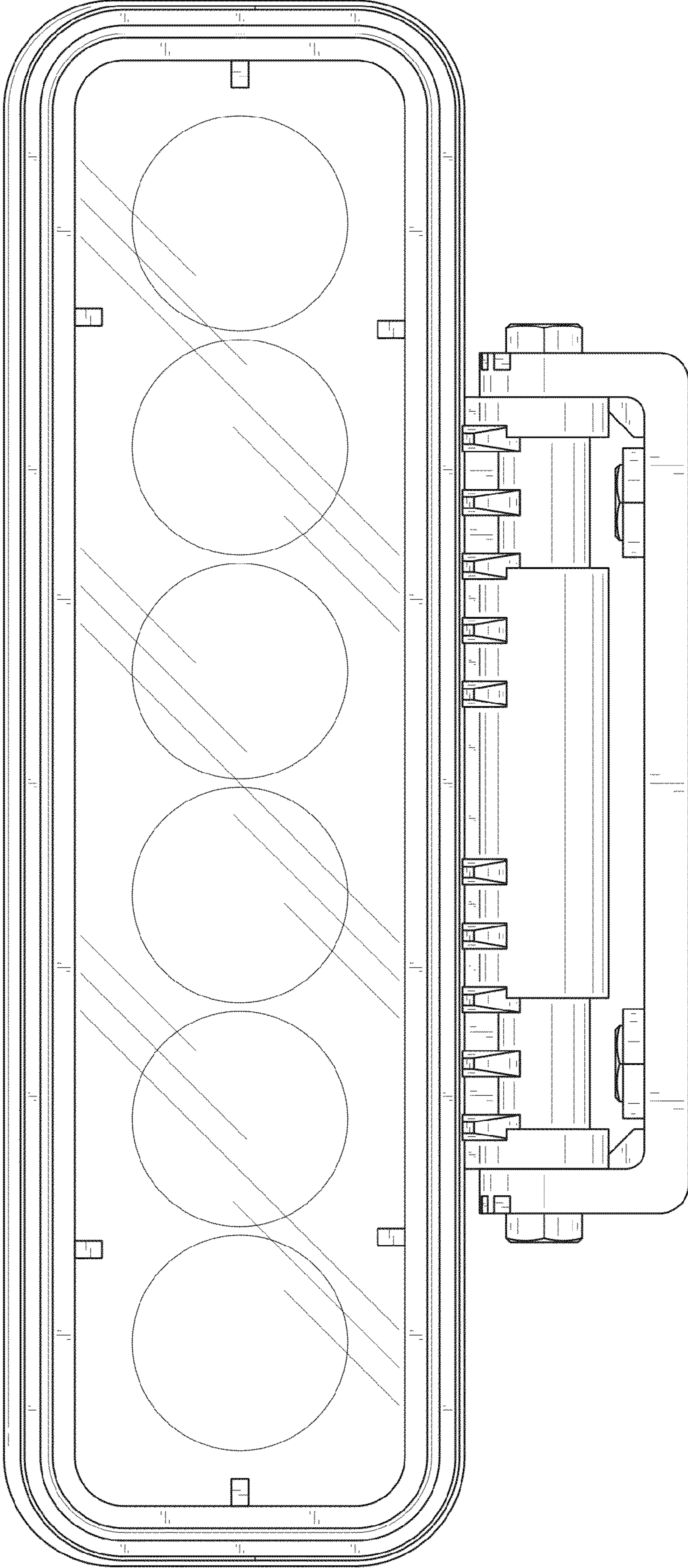


FIG. 2

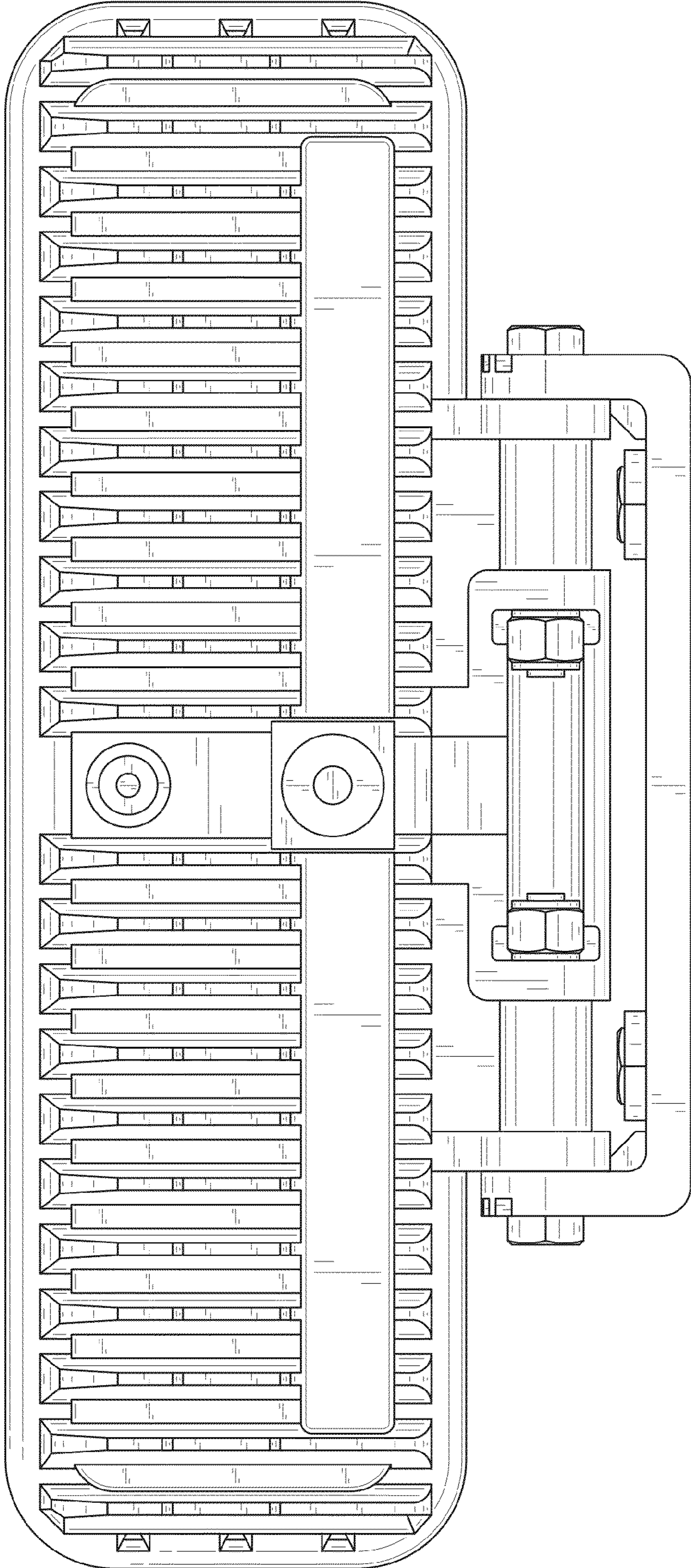


FIG. 3

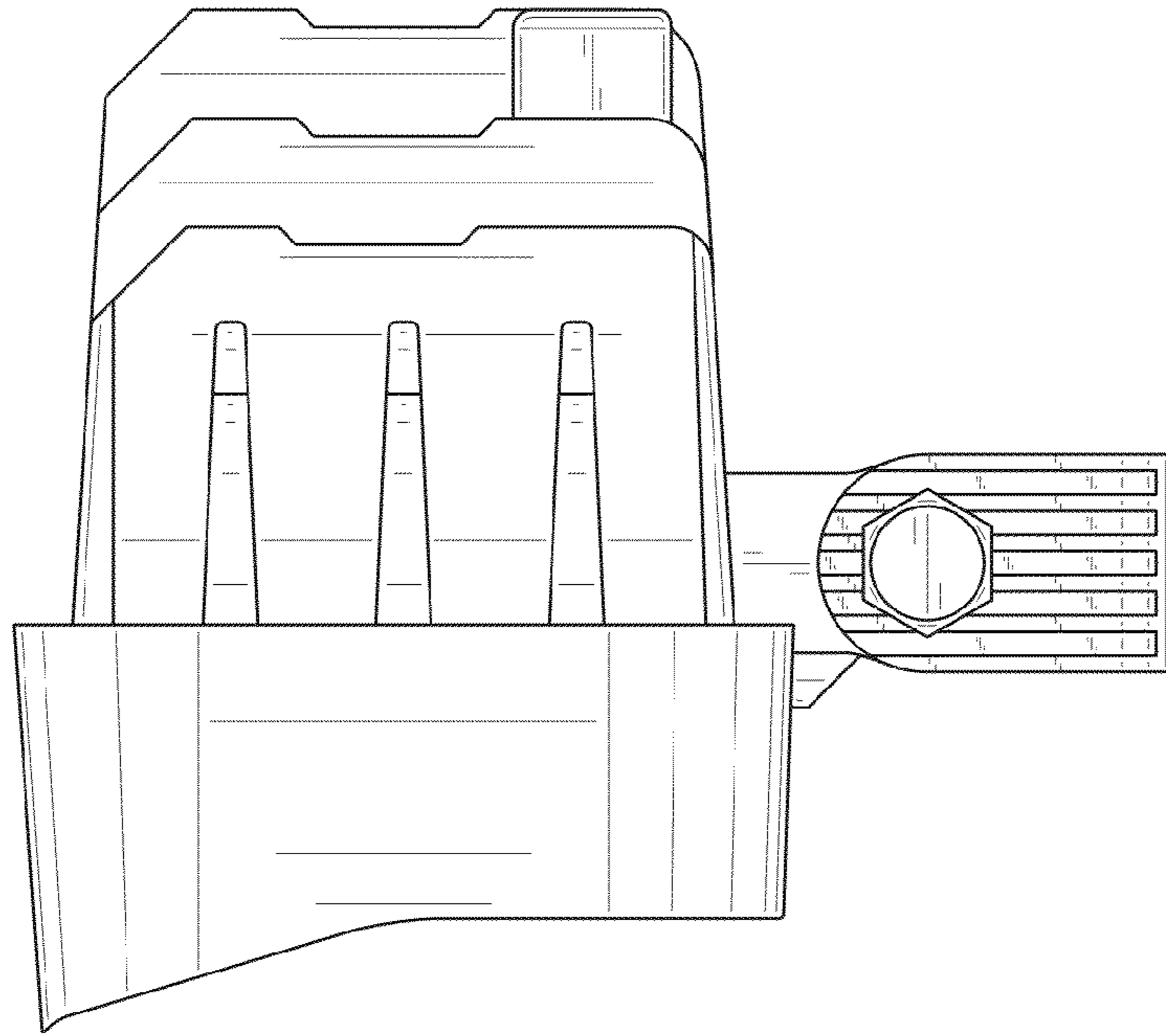


FIG. 5

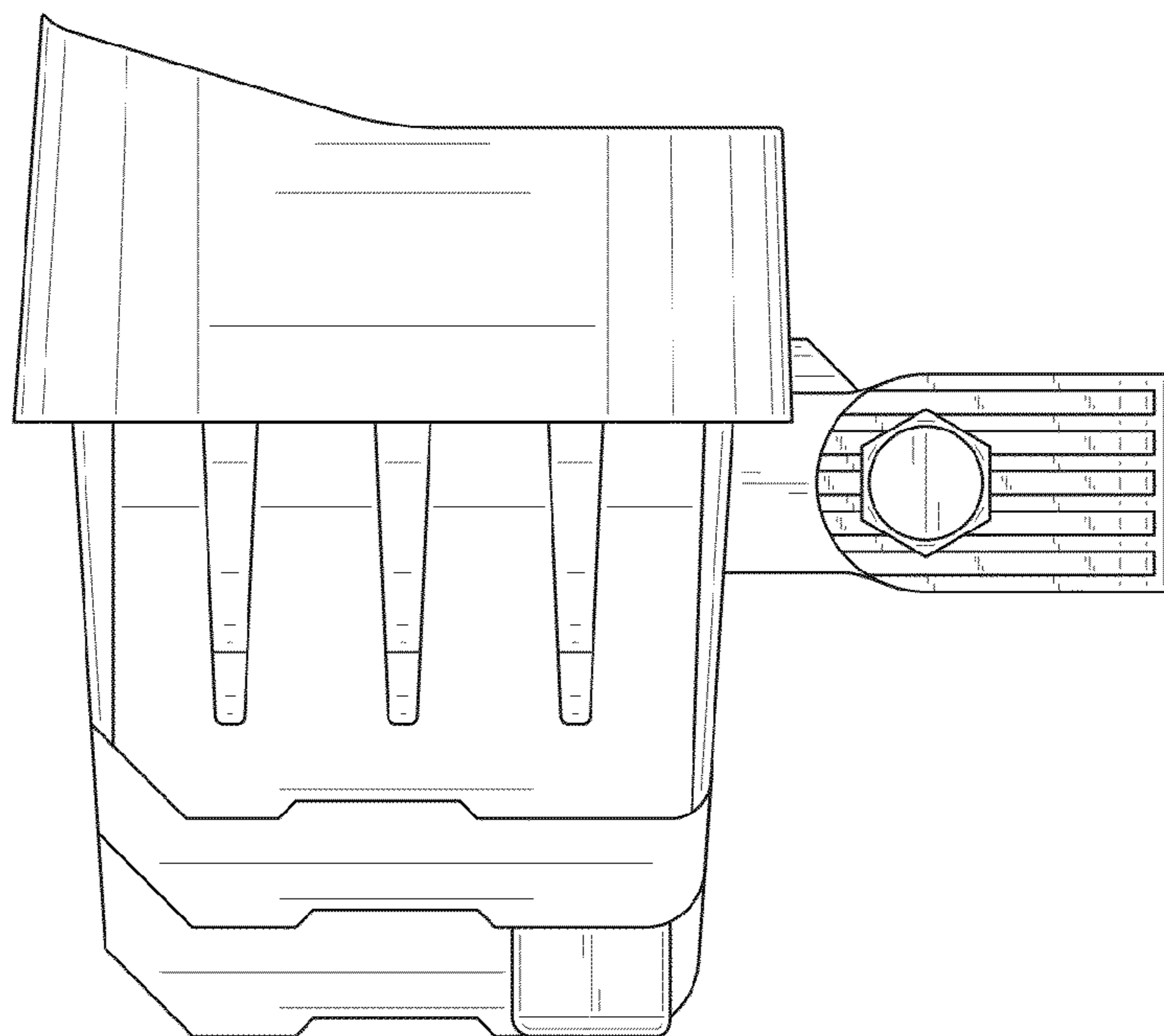


FIG. 4

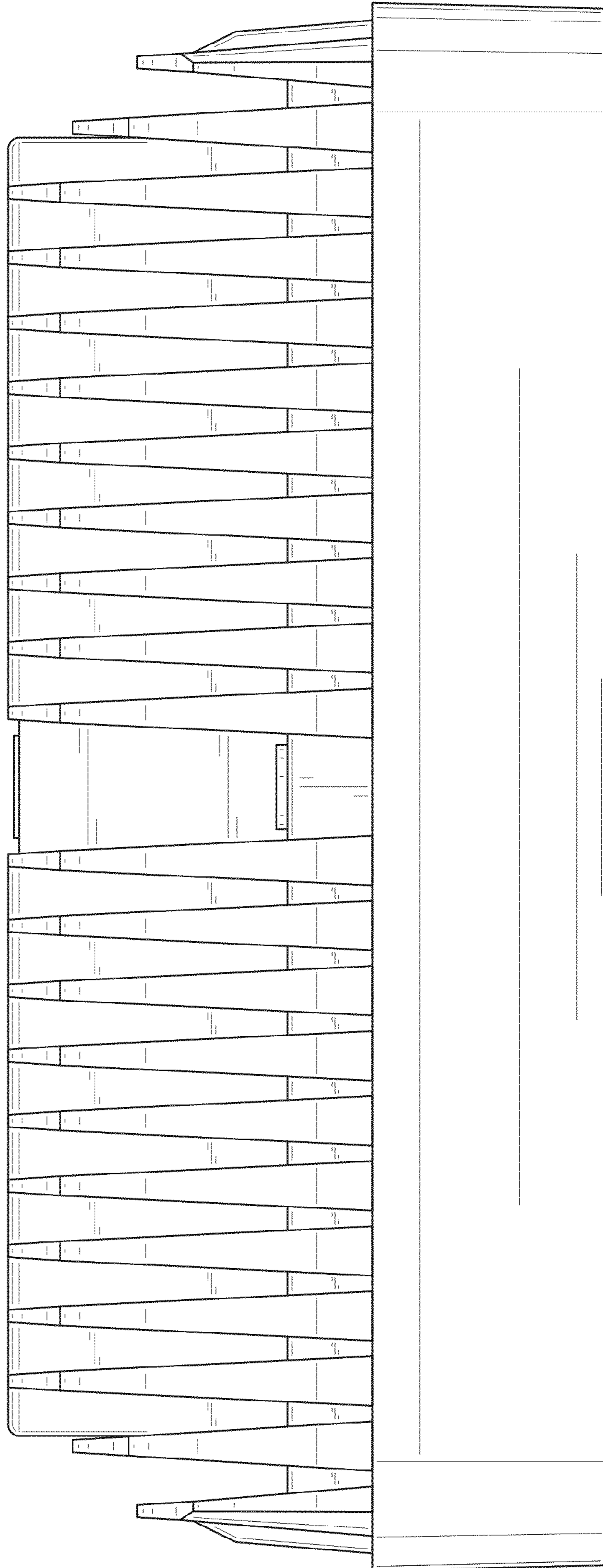


FIG. 6

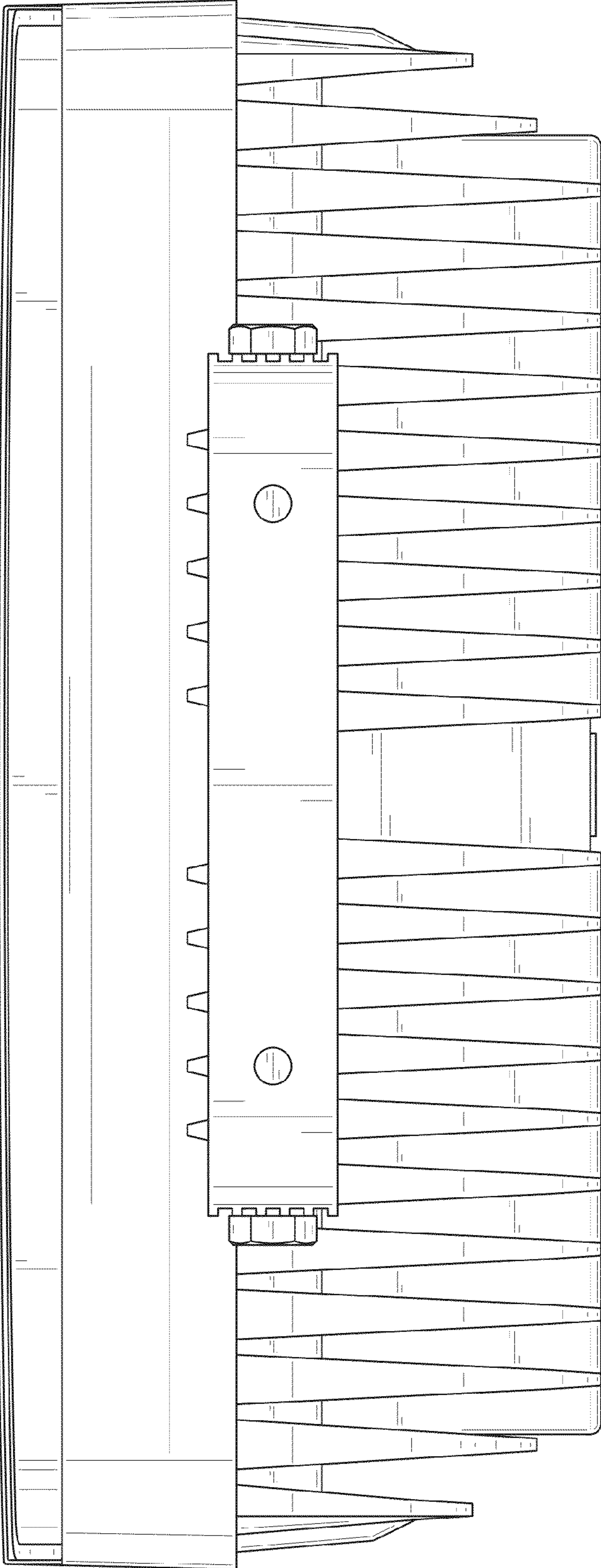


FIG. 7