

US00D711024S

(12) **United States Design Patent**
Kuwano

(10) **Patent No.:** **US D711,024 S**

(45) **Date of Patent:** **** Aug. 12, 2014**

(54) **LIGHTING UNIT**

(75) Inventor: **Koichi Kuwano**, Osaka (JP)

(73) Assignee: **Patlite Corporation**, Osaka-Fu (JP)

(**) Term: **14 Years**

(21) Appl. No.: **29/419,468**

(22) Filed: **Apr. 27, 2012**

(51) **LOC (10) Cl.** **26-06**

(52) **U.S. Cl.**
USPC **D26/28**

(58) **Field of Classification Search**
USPC D26/28-36; 362/459-468, 475-478,
362/485-487
See application file for complete search history.

(56) **References Cited**

U.S. PATENT DOCUMENTS

D490,172 S * 5/2004 Yamamoto D26/28
D554,279 S * 10/2007 Jeffries D26/28
D564,683 S * 3/2008 Roach et al. D26/28

D570,009 S * 5/2008 Kani et al. D26/28
D574,978 S * 8/2008 Hyodo et al. D26/28
D675,758 S * 2/2013 Adams D26/28

* cited by examiner

Primary Examiner — Marcus Jackson

(74) *Attorney, Agent, or Firm* — DLA Piper LLP (US)

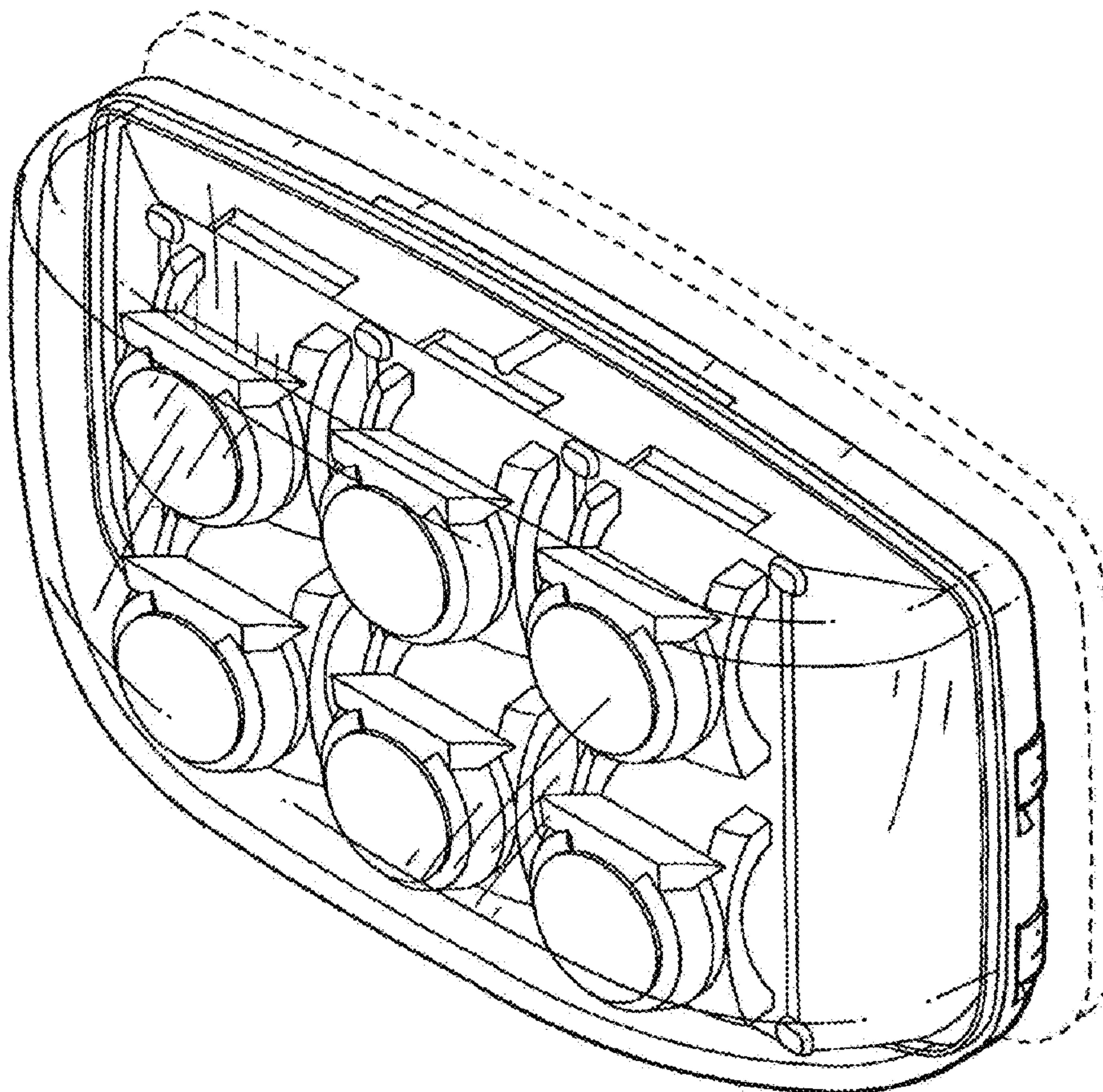
(57) **CLAIM**

The ornamental design for a lighting unit, as shown and described.

DESCRIPTION

FIG. 1 is a perspective view of a lighting unit taken from the front, right side and top thereof, showing my new design; FIG. 2 is a front elevational view thereof; FIG. 3 is a rear elevational view thereof; FIG. 4 is a left side elevational view thereof; FIG. 5 is a right side elevational view thereof; FIG. 6 is a top plan view thereof; and, FIG. 7 is a bottom plan view thereof. The dotted lines shown in Figures are for illustrative purposes only and form no part of the claimed design.

1 Claim, 2 Drawing Sheets



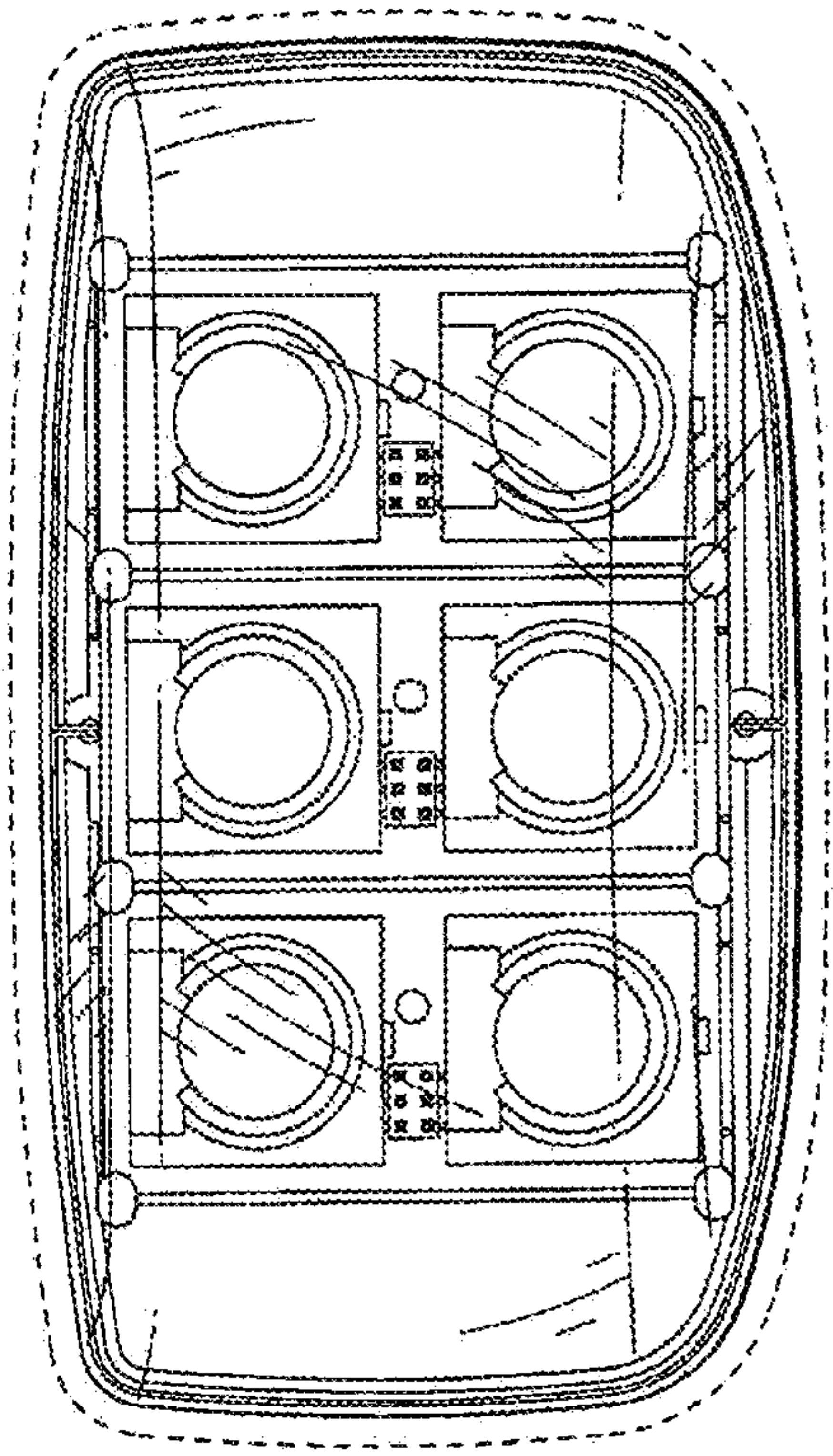


FIG. 2

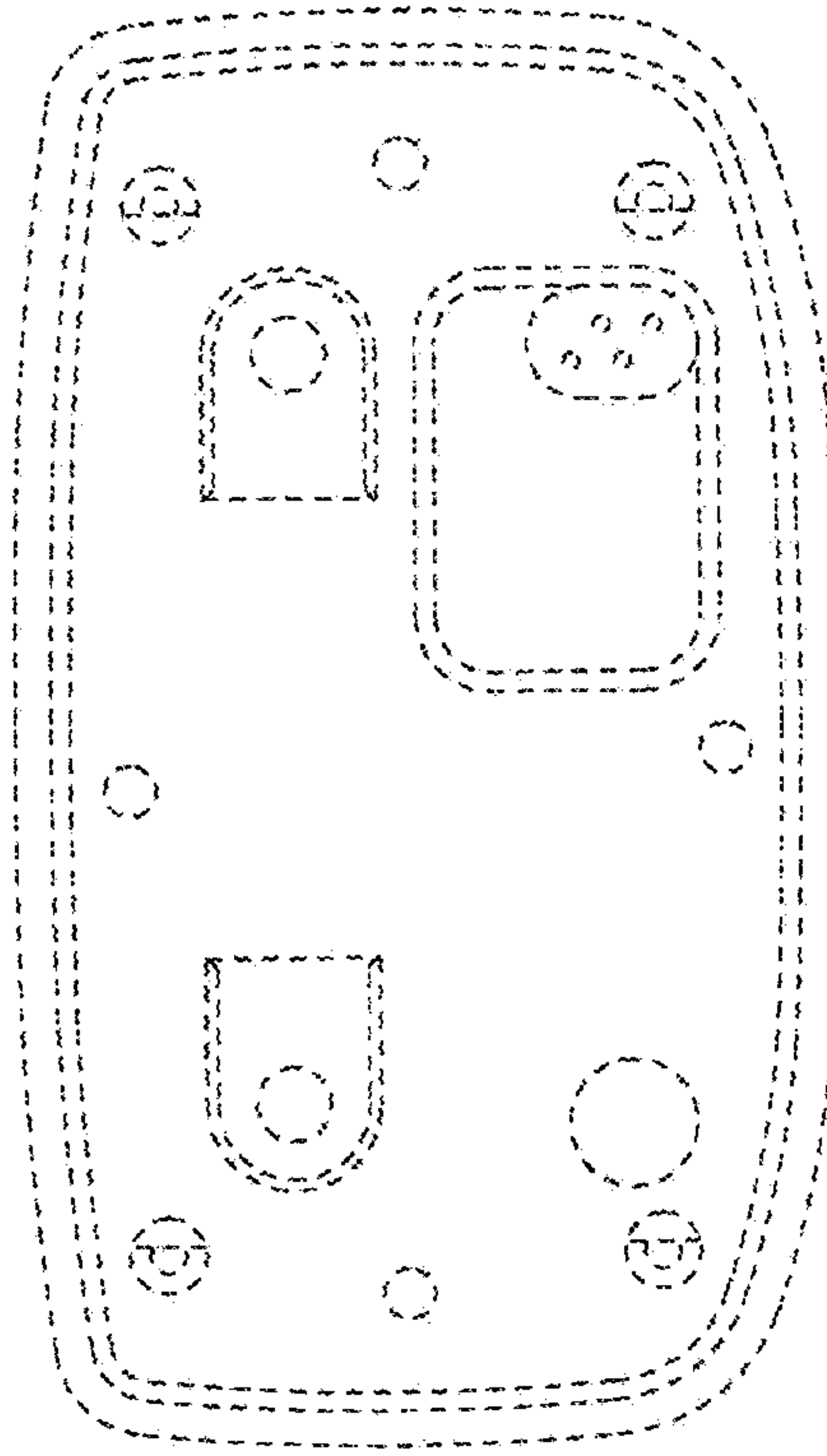


FIG. 3

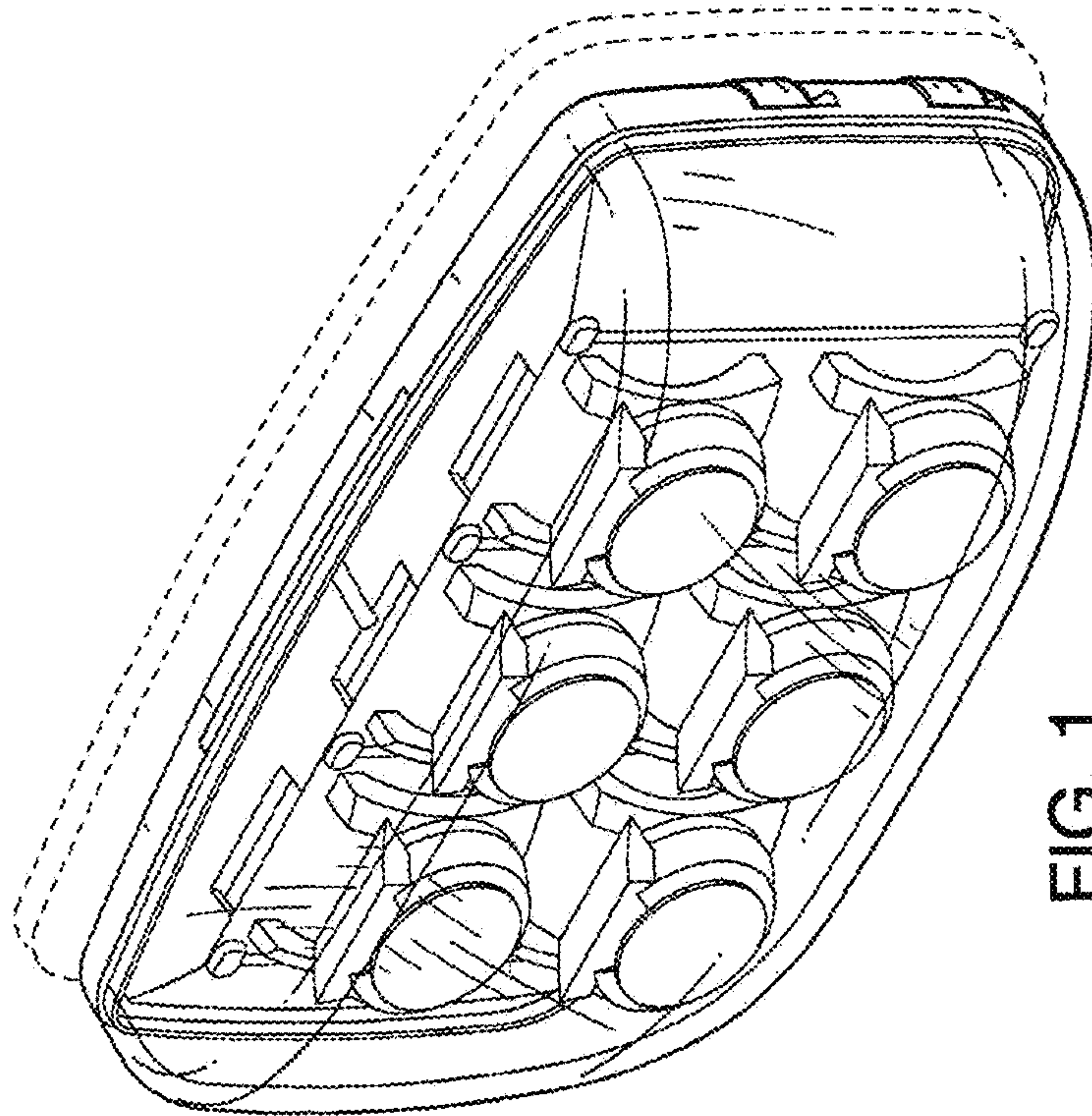


FIG. 1

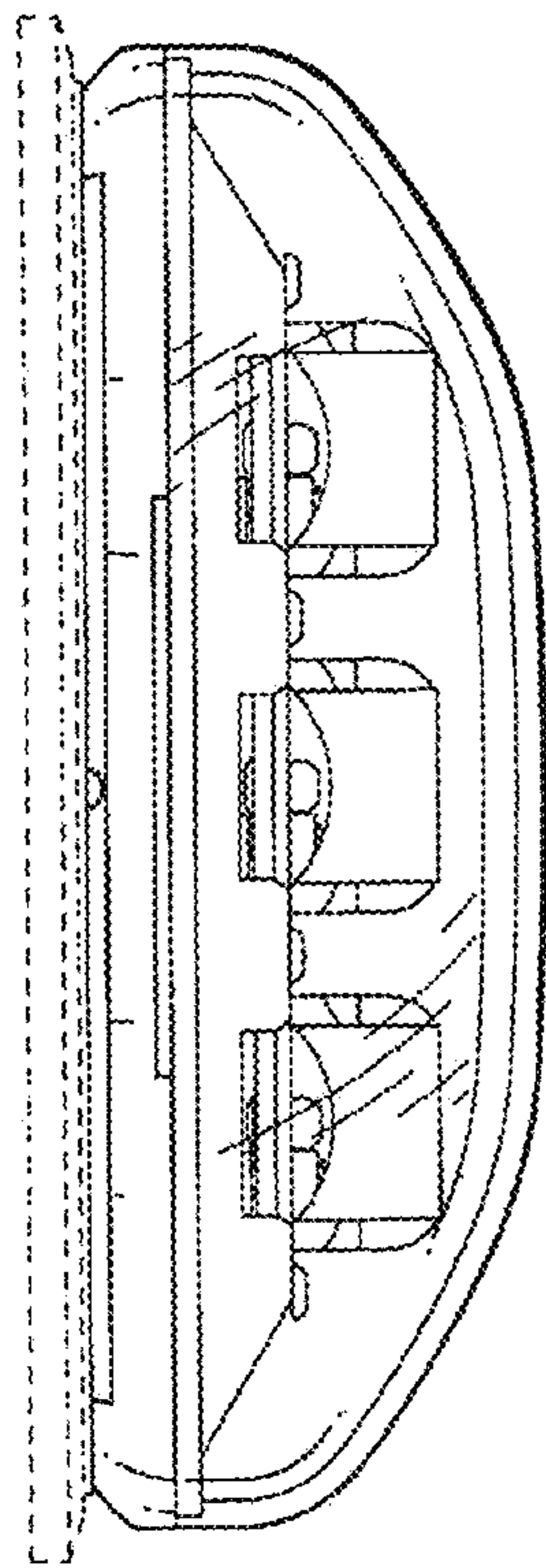


FIG. 6

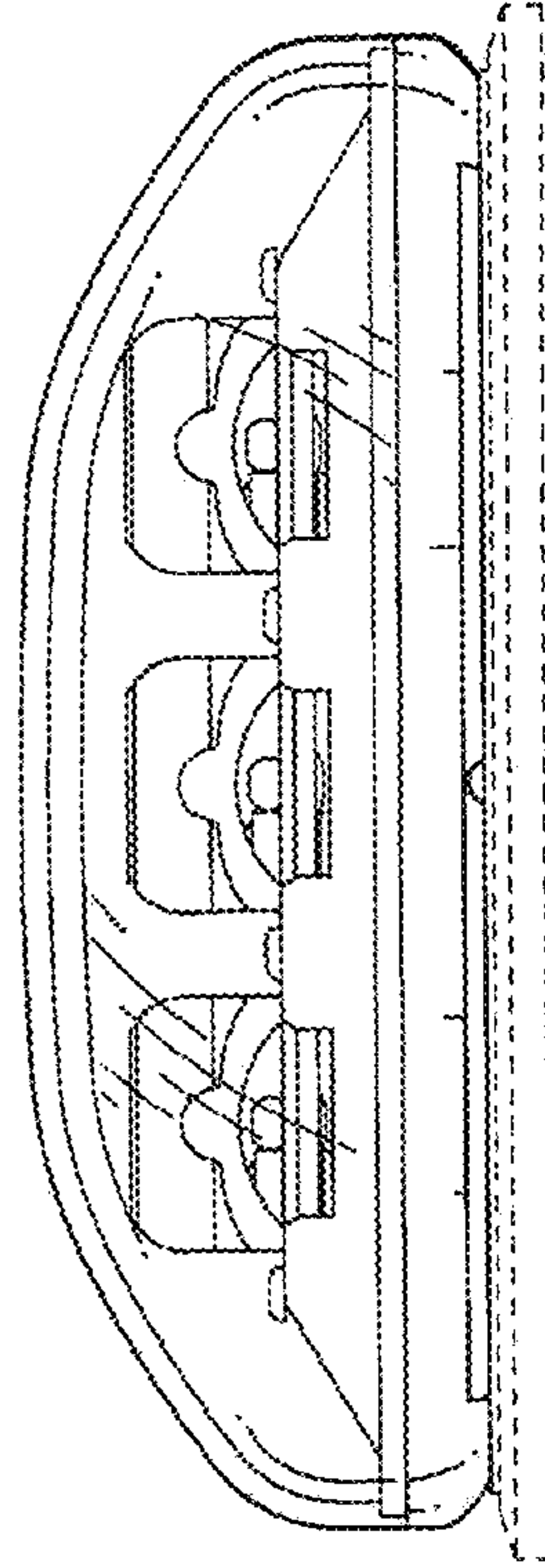


FIG. 7

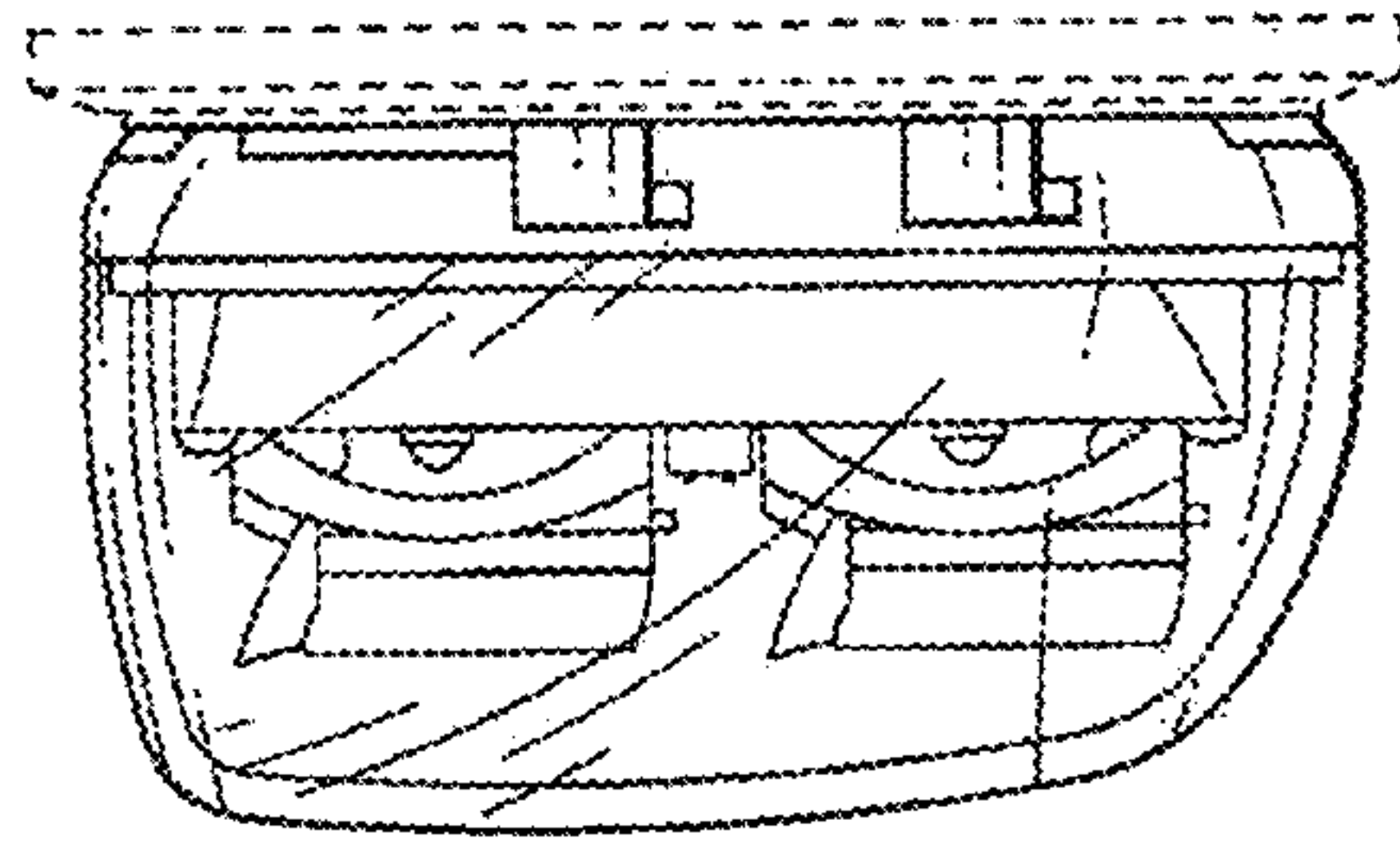


FIG. 5

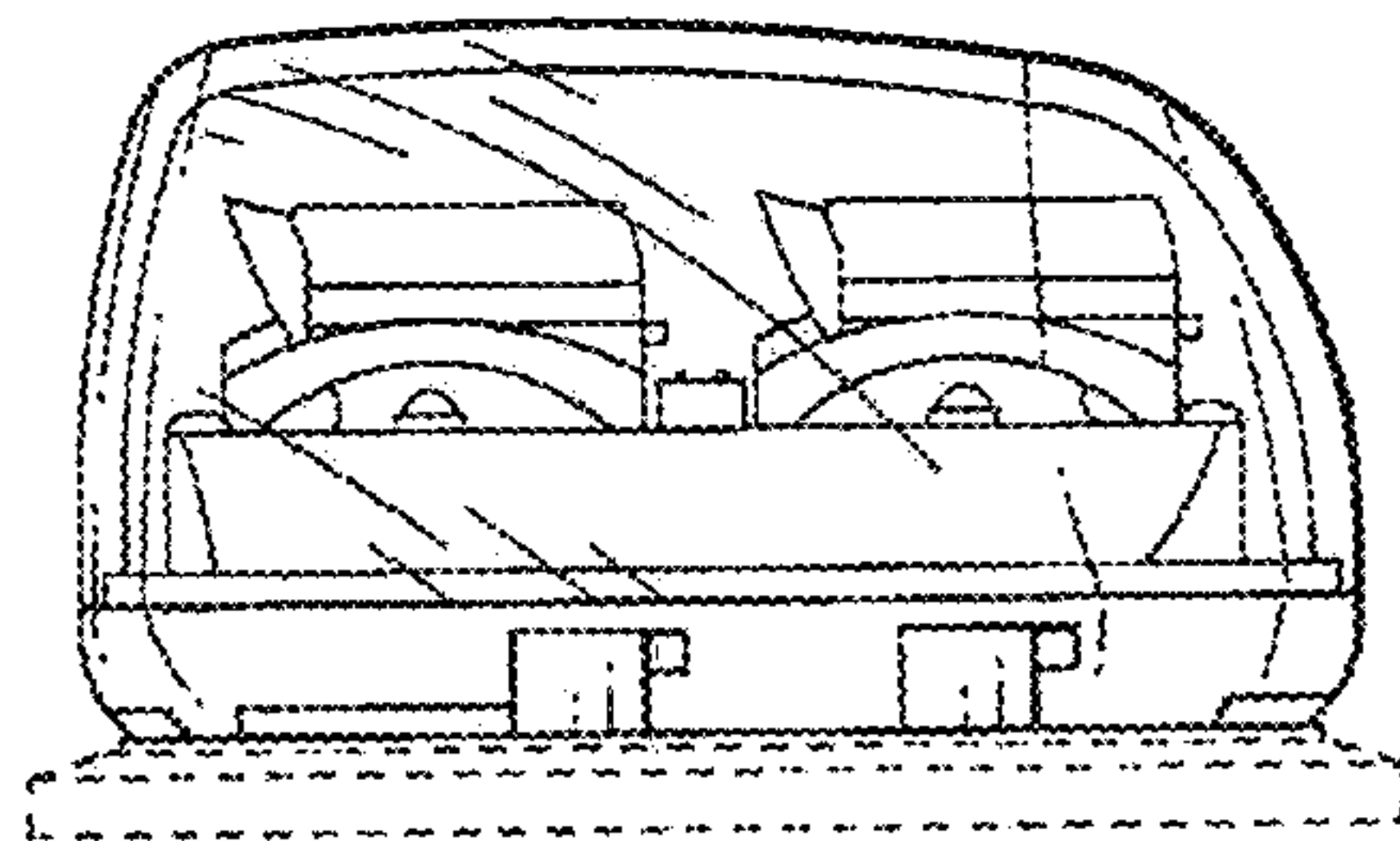


FIG. 4