



US00D711023S

(12) **United States Design Patent**
Wu

(10) **Patent No.:** **US D711,023 S**

(45) **Date of Patent:** **** Aug. 12, 2014**

(54) **VEHICLE LIGHT HOUSING**

(75) Inventor: **Hua-Chi Wu**, Tainan (TW)

(73) Assignee: **Coplus, Inc.**, Tainan (TW)

(**) Term: **14 Years**

(21) Appl. No.: **29/418,805**

(22) Filed: **Apr. 20, 2012**

(51) **LOC (10) Cl.** **26-06**

(52) **U.S. Cl.**
USPC **D26/28**

(58) **Field of Classification Search**
USPC D26/28-36; 362/459-468, 475-478,
362/485-487

See application file for complete search history.

(56) **References Cited**

U.S. PATENT DOCUMENTS

D601,727 S * 10/2009 Huang D26/28
D605,789 S * 12/2009 Ko D26/28
D626,670 S * 11/2010 Metzger et al. D26/28

D657,081 S * 4/2012 Alisauskas et al. D26/28
D670,839 S * 11/2012 Smarslik D26/28
D694,920 S * 12/2013 Jurgens et al. D26/28

* cited by examiner

Primary Examiner — Marcus Jackson

(74) *Attorney, Agent, or Firm* — Christie, Parker & Hale, LLP

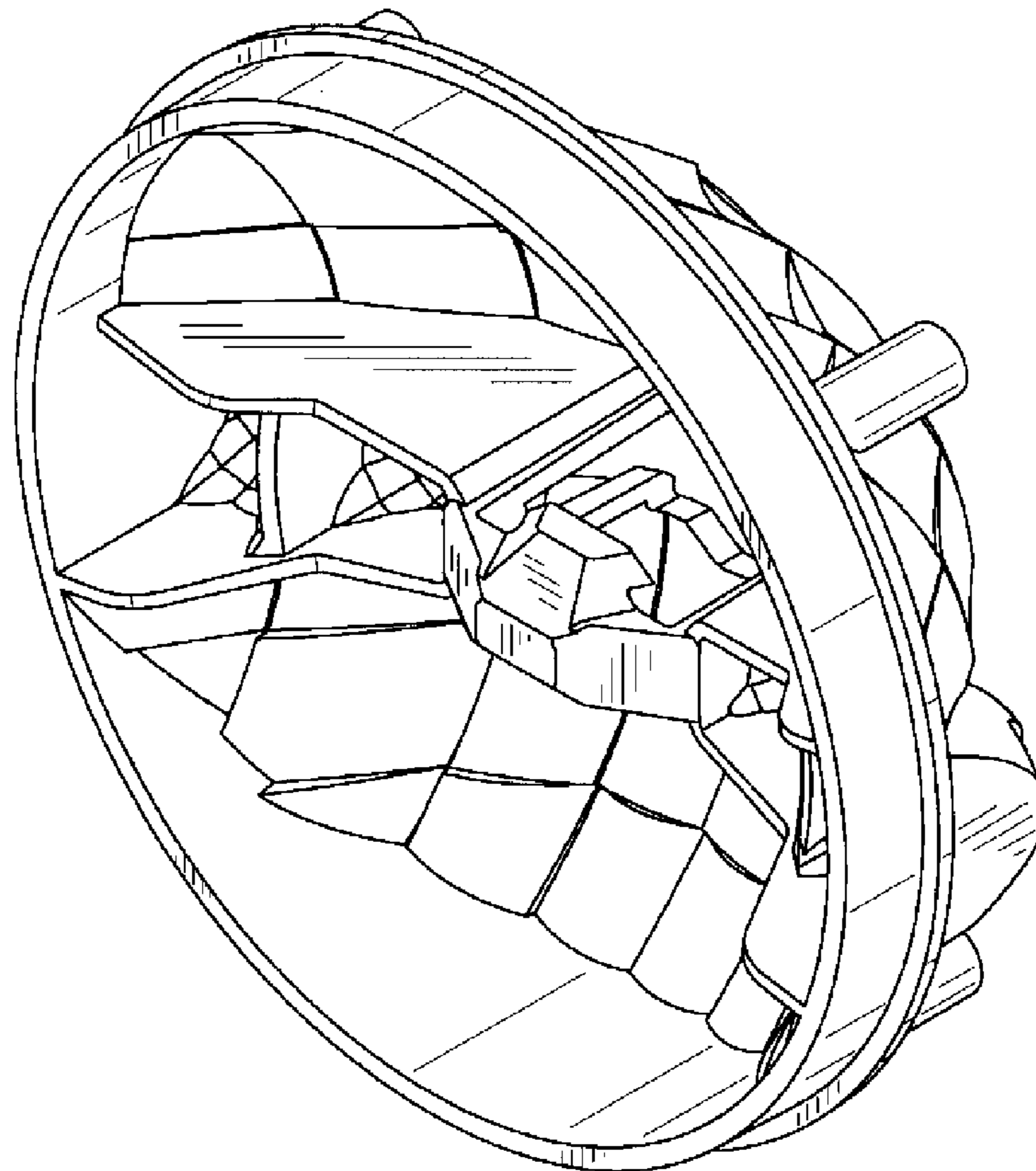
(57) **CLAIM**

The ornamental design for a vehicle light housing, as shown and described.

DESCRIPTION

FIG. 1 is a front perspective view of a vehicle light housing;
FIG. 2 is a rear perspective view of thereof;
FIG. 3 is a front view thereof;
FIG. 4 is a rear view thereof;
FIG. 5 is a left side view thereof;
FIG. 6 is a right side view thereof;
FIG. 7 is a top view thereof; and,
FIG. 8 is a bottom view thereof.

1 Claim, 6 Drawing Sheets



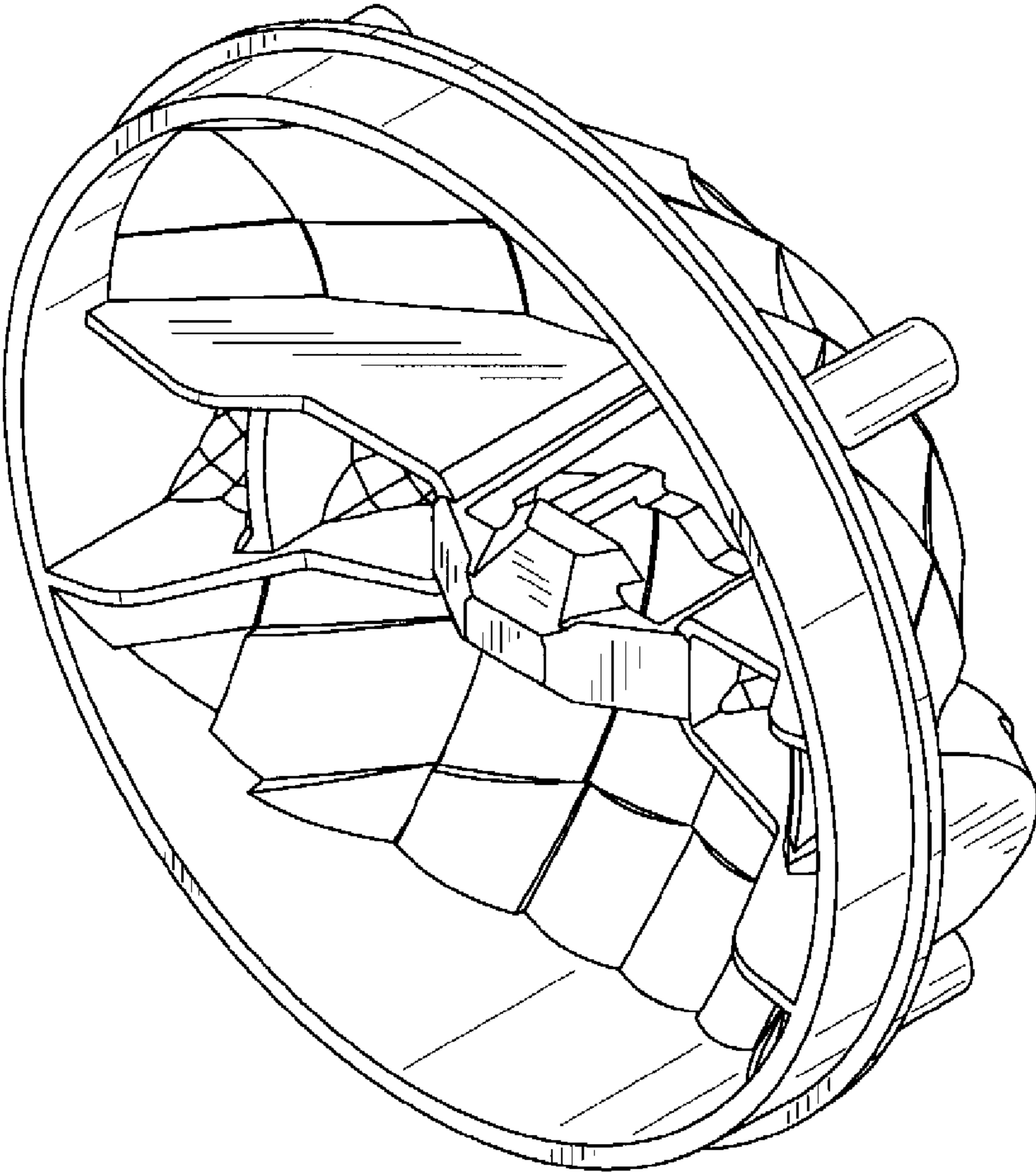


FIG. 1

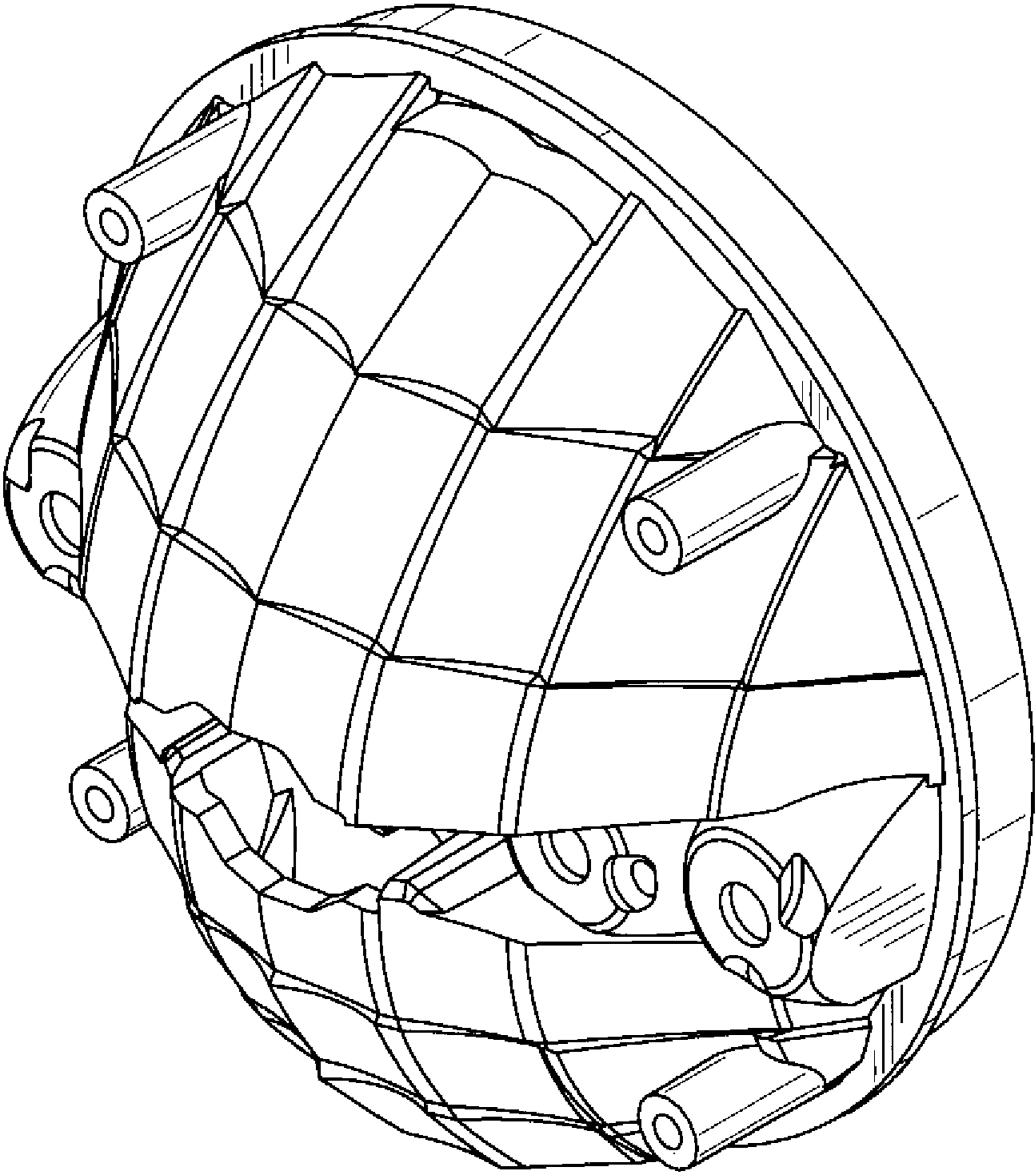


FIG. 2

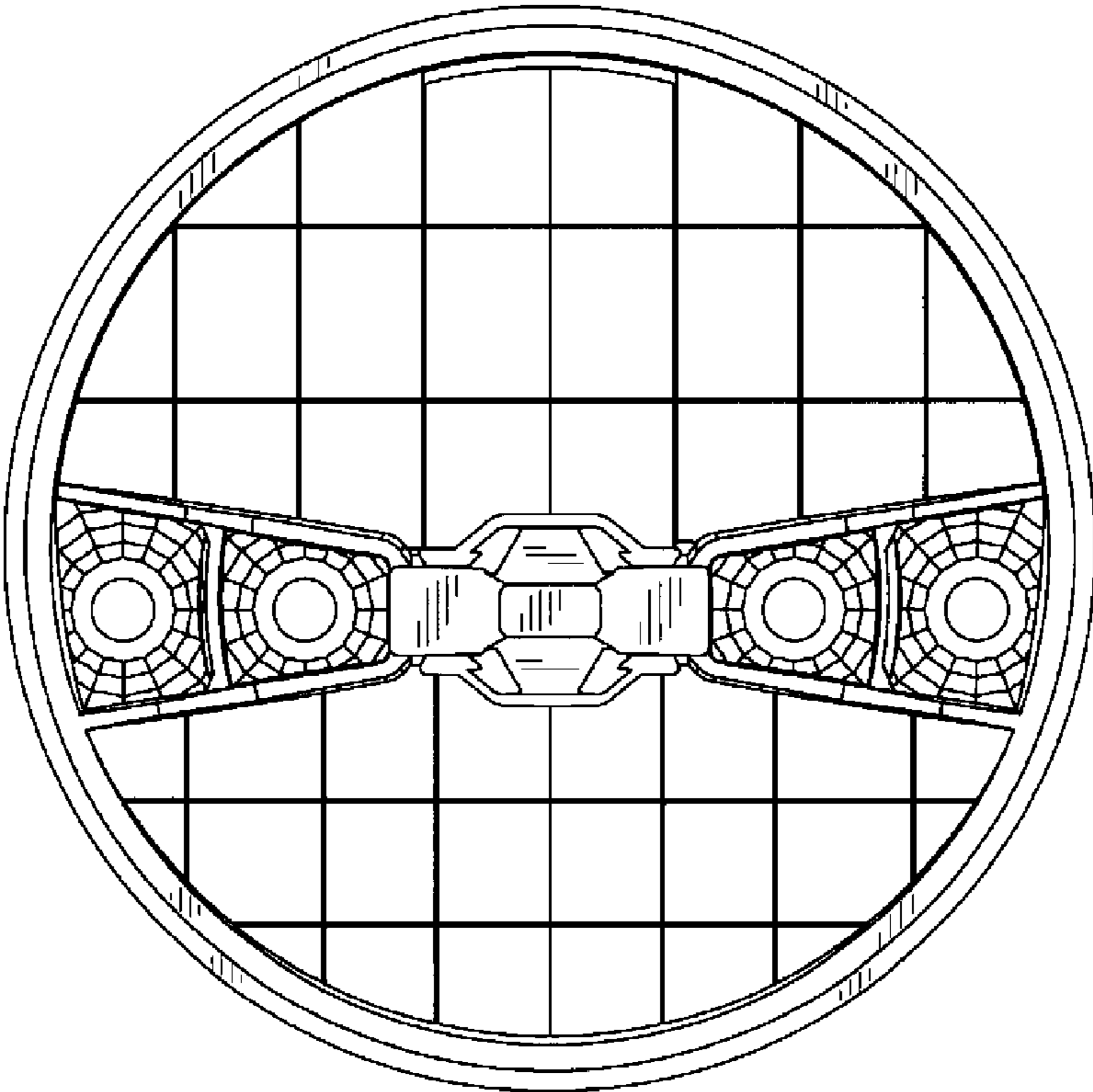


FIG. 3

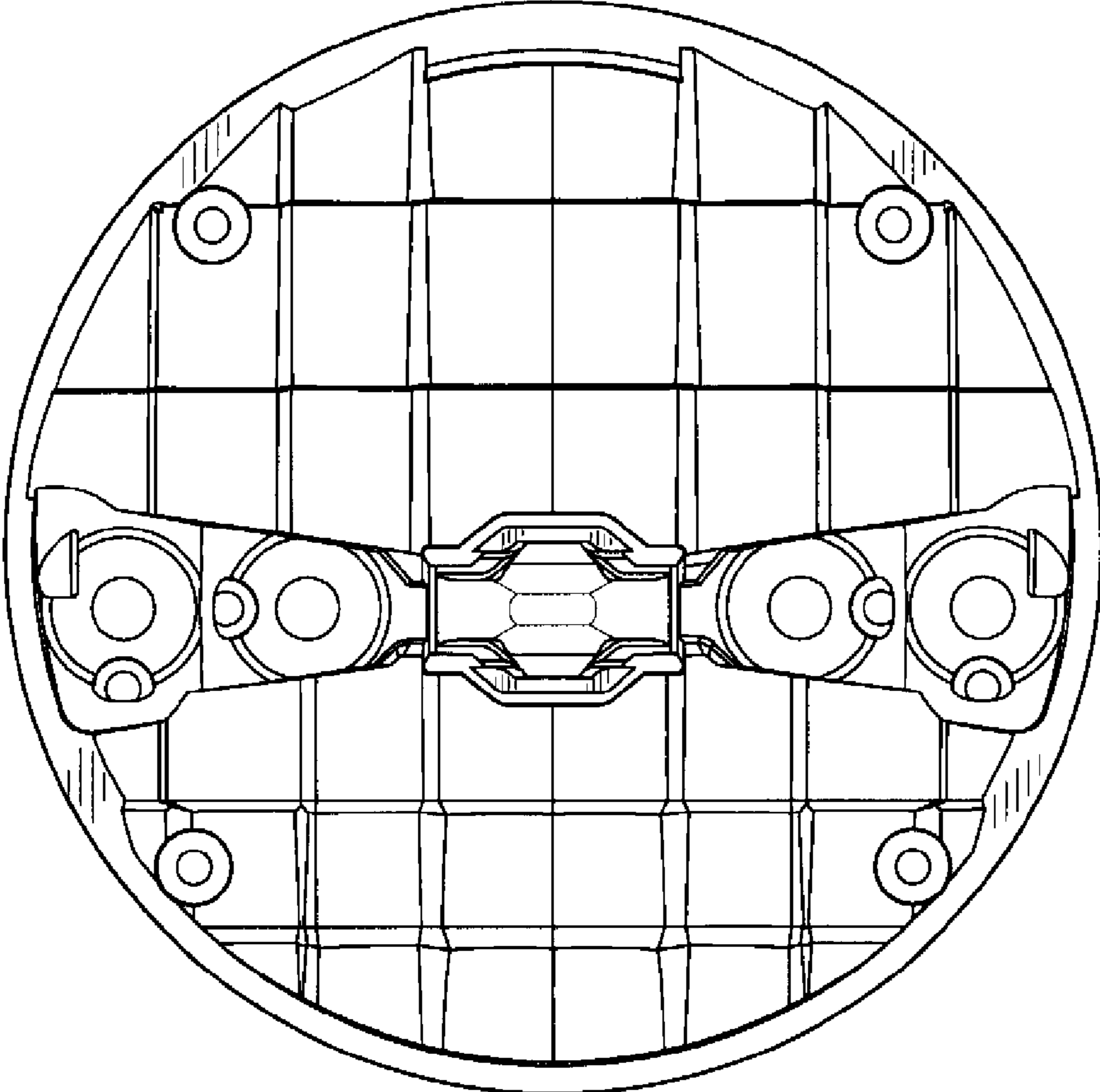


FIG. 4

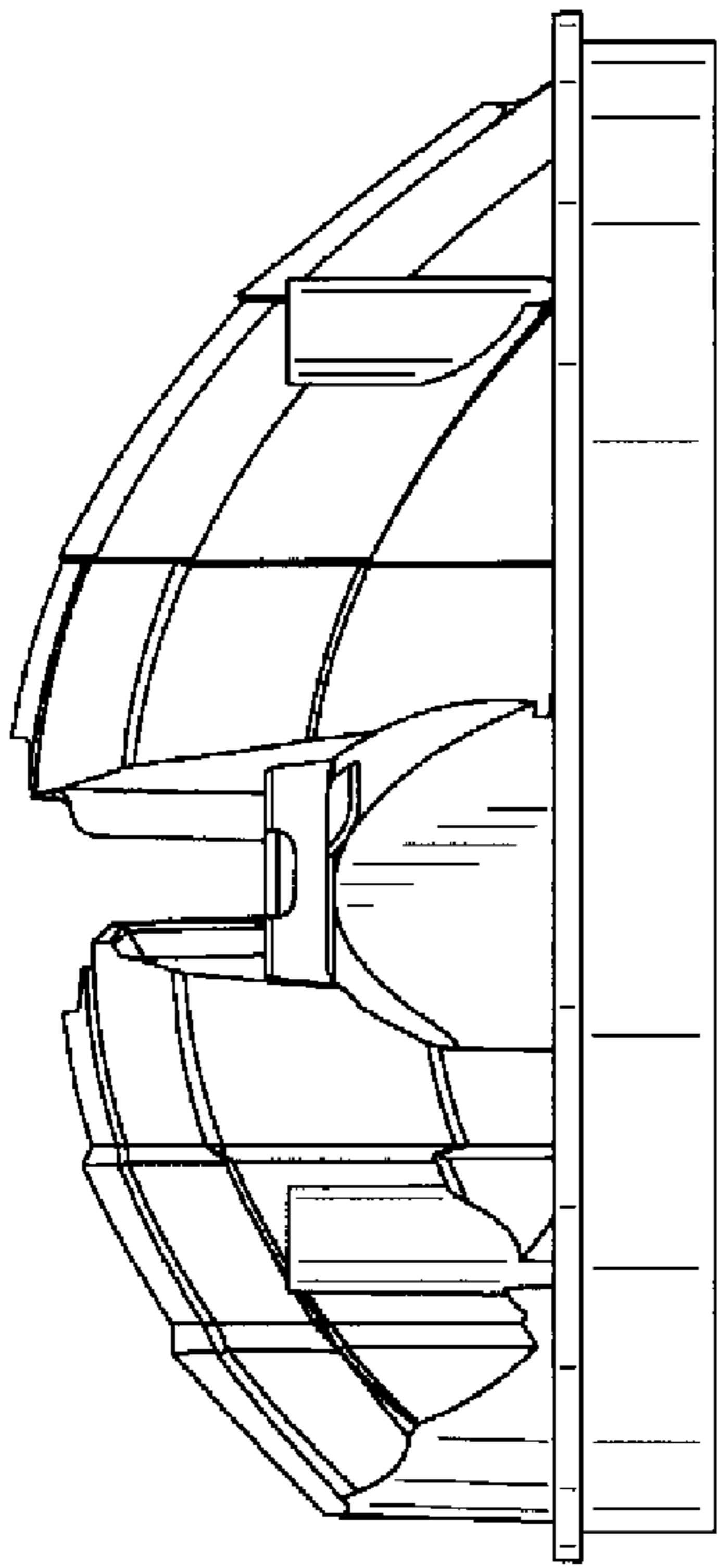


FIG. 5

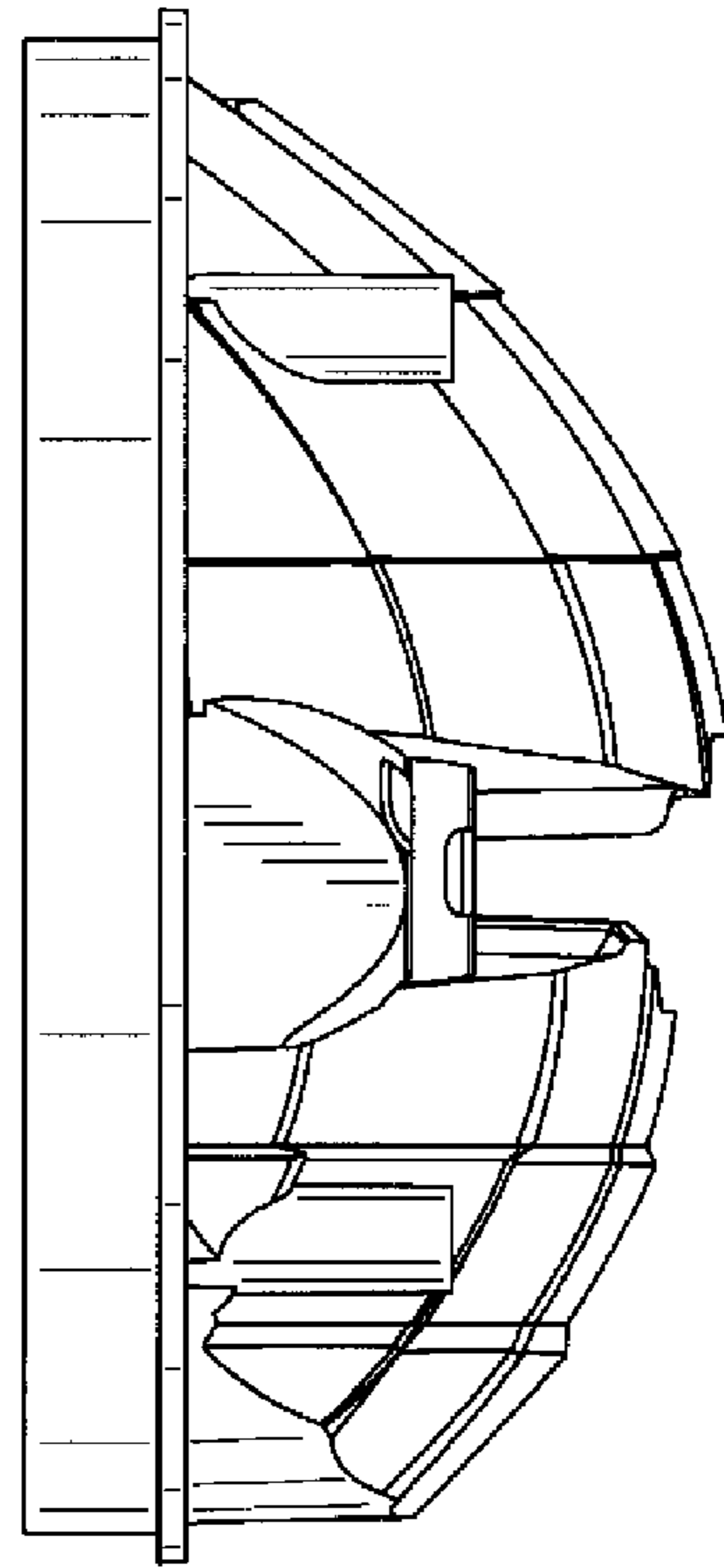


FIG. 6

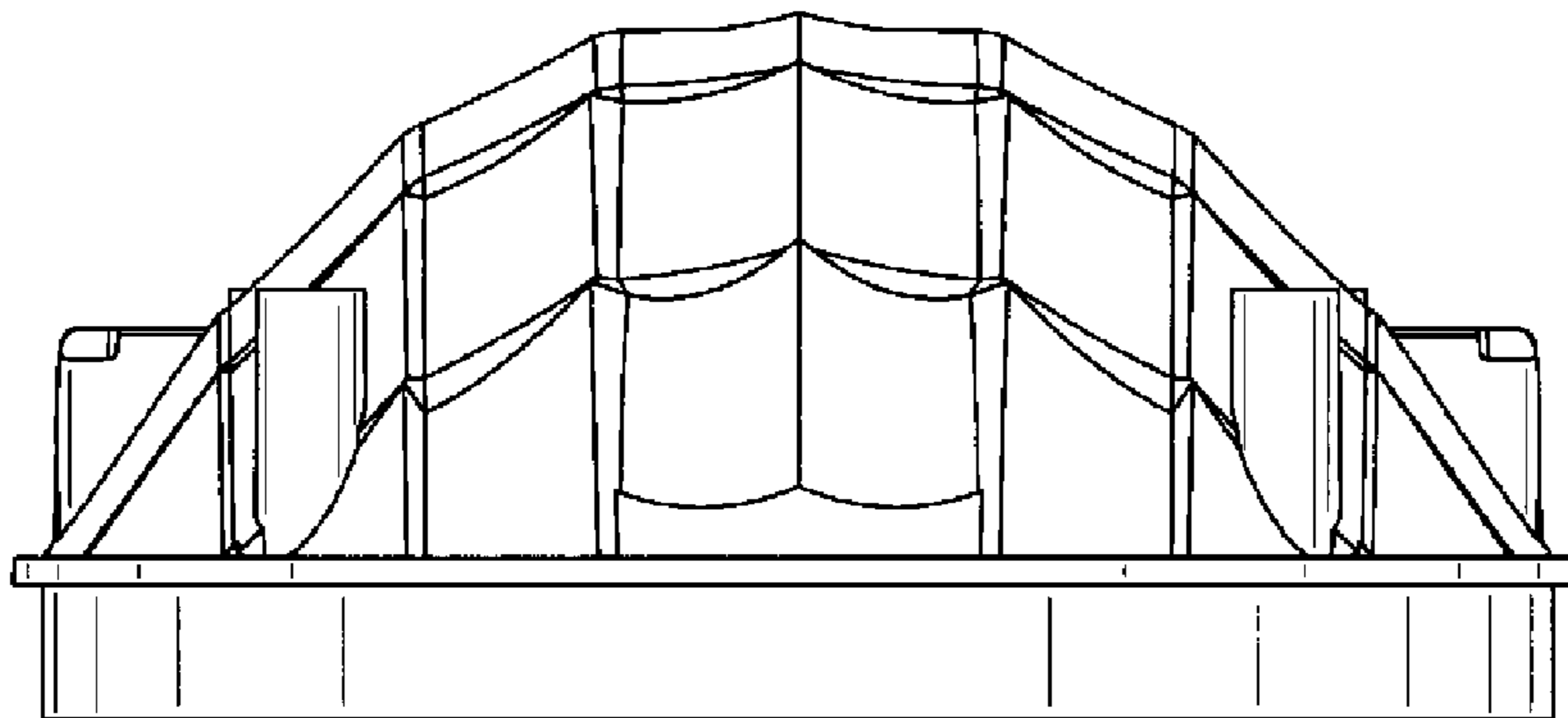


FIG. 7

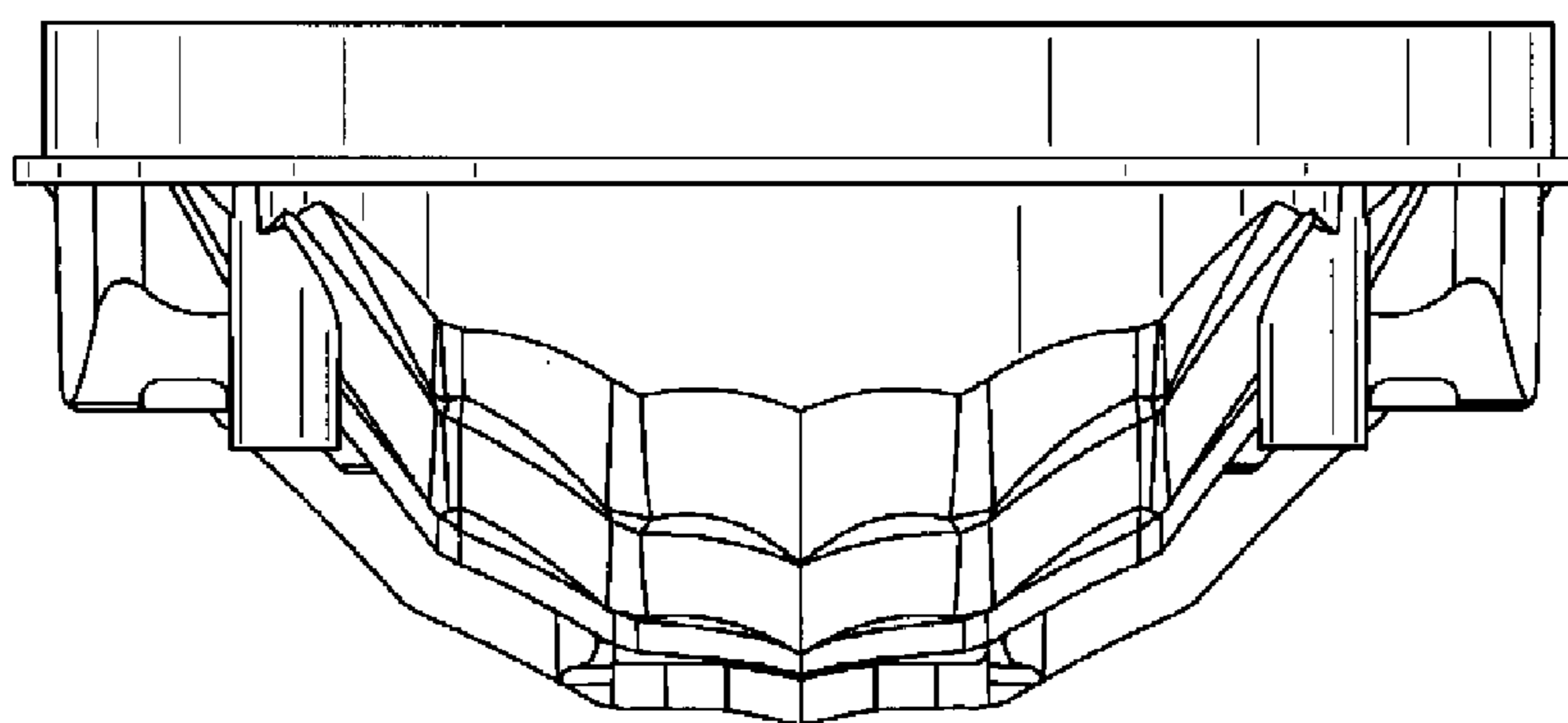


FIG. 8