



US00D711020S

(12) **United States Design Patent**  
**Cochren**

(10) **Patent No.:** **US D711,020 S**  
(45) **Date of Patent:** **\*\* Aug. 12, 2014**

(54) **WALL FOOTER**

**DESCRIPTION**

(71) Applicant: **John Joseph Cochren**, Lynden (CA)  
(72) Inventor: **John Joseph Cochren**, Lynden (CA)  
(\*\*) Term: **14 Years**  
(21) Appl. No.: **29/472,721**  
(22) Filed: **Nov. 15, 2013**  
(51) **LOC (10) Cl.** ..... **25-01**  
(52) **U.S. Cl.**  
USPC ..... **D25/113**  
(58) **Field of Classification Search**  
CPC ..... E04C 1/395; E02D 29/025; E04B 2/08;  
E04B 2002/0206; E04B 2002/0239; E04B  
2002/0265  
USPC ..... D25/113-118, 136, 138, 140, 151, 152,  
D25/153, 156-162, 164; D21/484-491,  
D21/499-504; 405/16, 284, 286;  
52/503-505, 574, 575, 596-612;  
404/27-42; D8/1  
See application file for complete search history.

FIG. 1 is a top plan view of the first embodiment of my design a wall footer.  
FIG. 2 is a left side elevational view of the wall footer shown in FIG. 1.  
FIG. 3 is a right side elevational view of the wall footer shown in FIG. 1.  
FIG. 4 is an inverted bottom view of the wall footer shown in FIG. 1.  
FIG. 5 is a left side elevational view of the wall footer shown in FIG. 4.  
FIG. 6 is a right side elevational view of the wall footer shown in FIG. 4.  
FIG. 7 is a top perspective view of the wall footer shown in FIG. 1.  
FIG. 8 is a bottom perspective view of the wall footer shown in FIG. 1.  
FIG. 9 is a top plan view of the second embodiment of my design a wall footer.  
FIG. 10 is a left side elevational view of the wall footer shown in FIG. 9.  
FIG. 11 is a right side elevational view of the wall footer shown in FIG. 9.  
FIG. 12 is an inverted bottom view of the wall footer shown in FIG. 9.  
FIG. 13 is a left side elevational view of the wall footer shown in FIG. 12.  
FIG. 14 is a right side elevational view of the wall footer shown in FIG. 12.  
FIG. 15 is a top perspective view of the wall footer shown in FIG. 9; and,  
FIG. 16 is a bottom perspective view of the wall footer shown in FIG. 9.  
The disc projections are repeated at regular intervals throughout the length of the wall footer.  
The cut away portion in the drawings indicates the appearance of any portion of the wall footer between the cut away lines forms no part of the claimed design.

(56) **References Cited**

**U.S. PATENT DOCUMENTS**

D299,069 S *	12/1988	Risi et al.	.....	D25/157
D302,983 S *	8/1989	Dehlen	.....	D25/140
D349,615 S *	8/1994	McLaughlin	.....	D25/117
6,050,044 A *	4/2000	McIntosh	.....	52/591.1
D581,553 S *	11/2008	Cooper	.....	D25/163
2010/0223876 A1 *	9/2010	Jones	.....	52/588.1

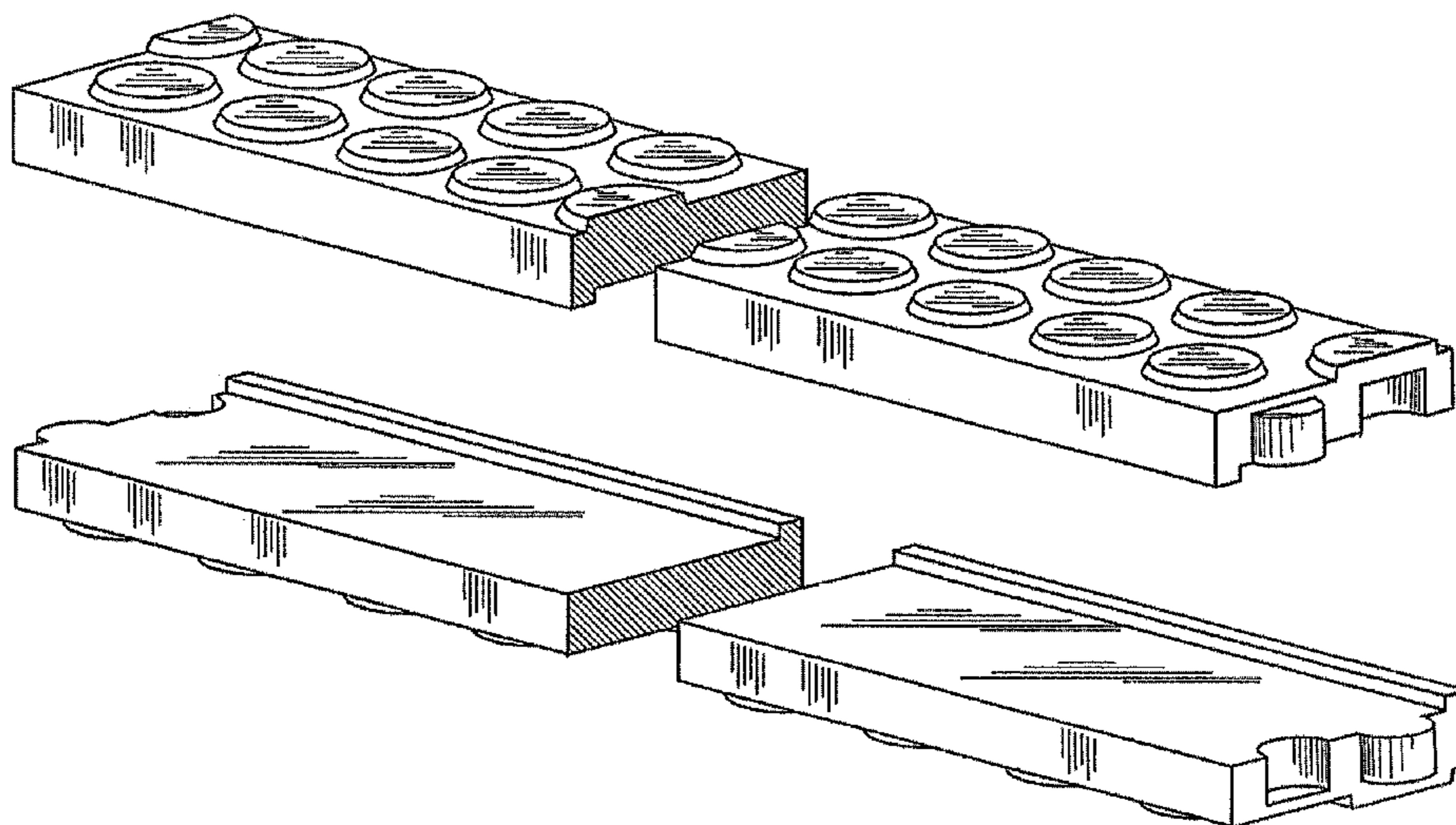
\* cited by examiner

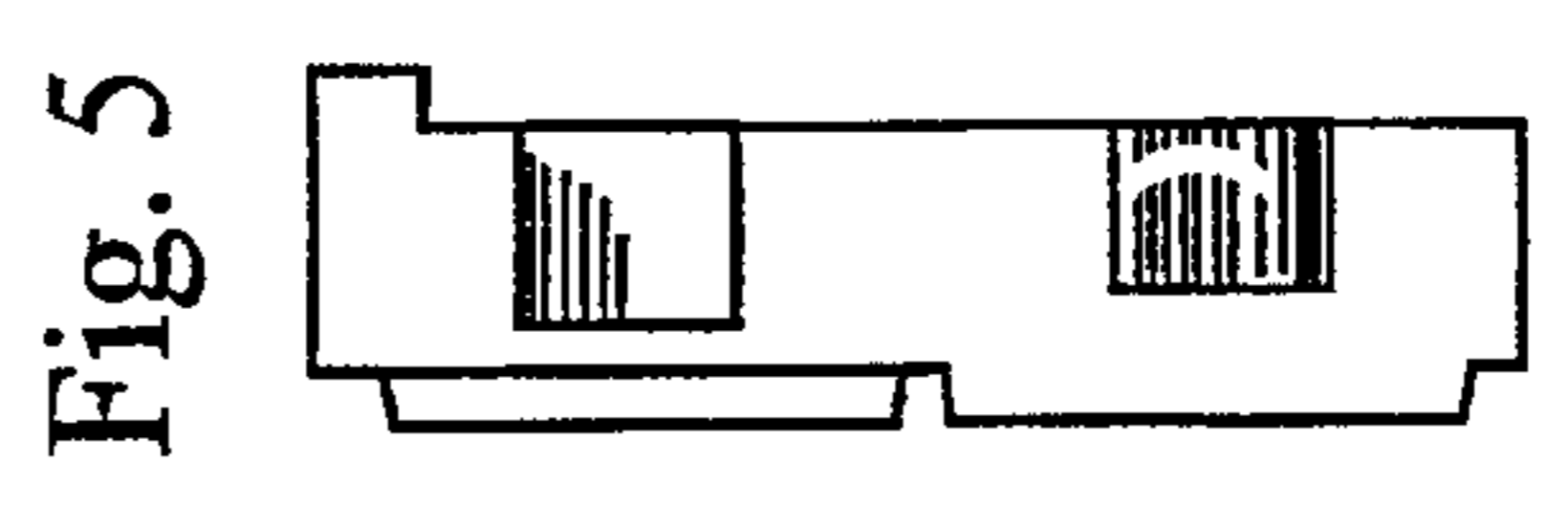
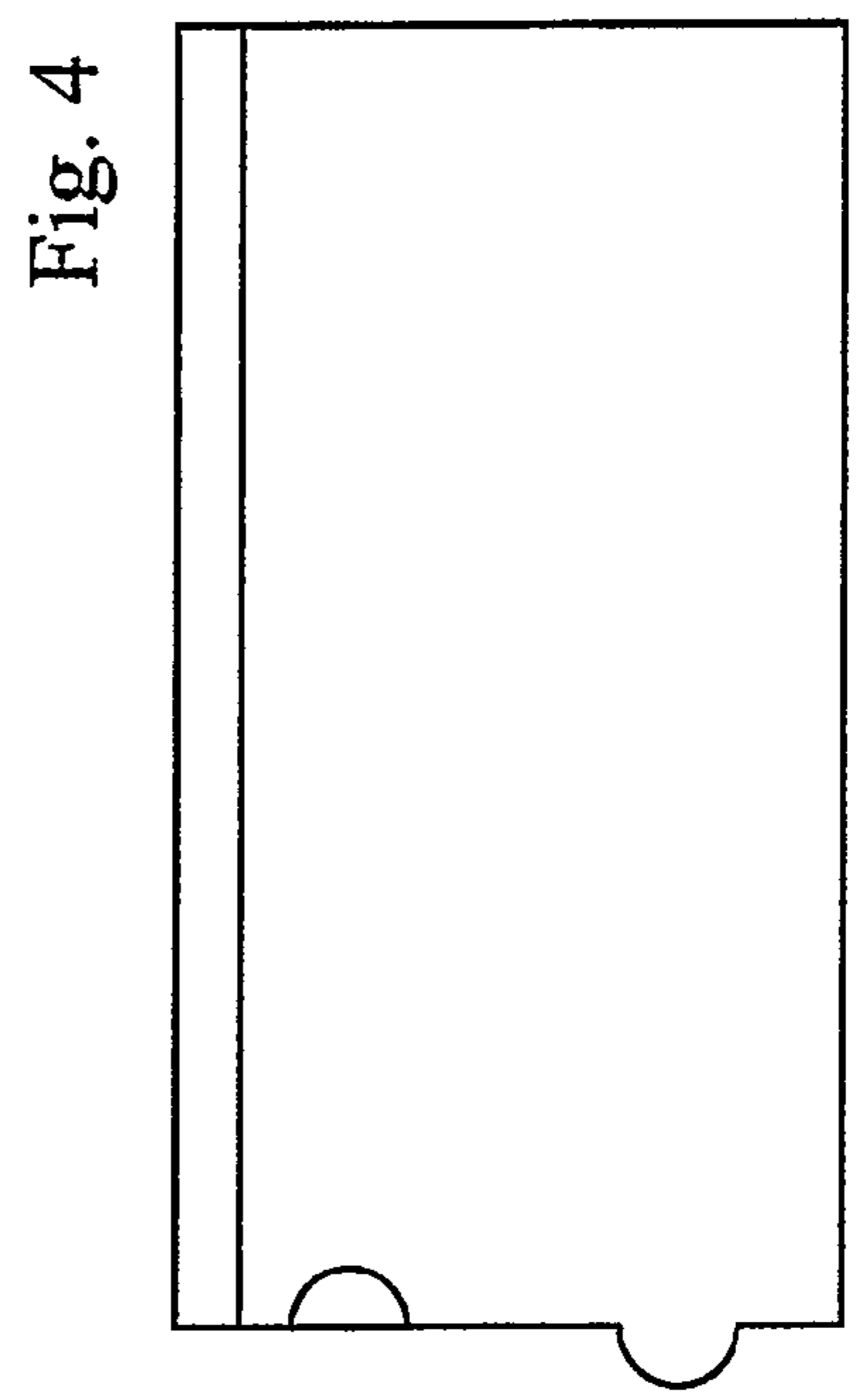
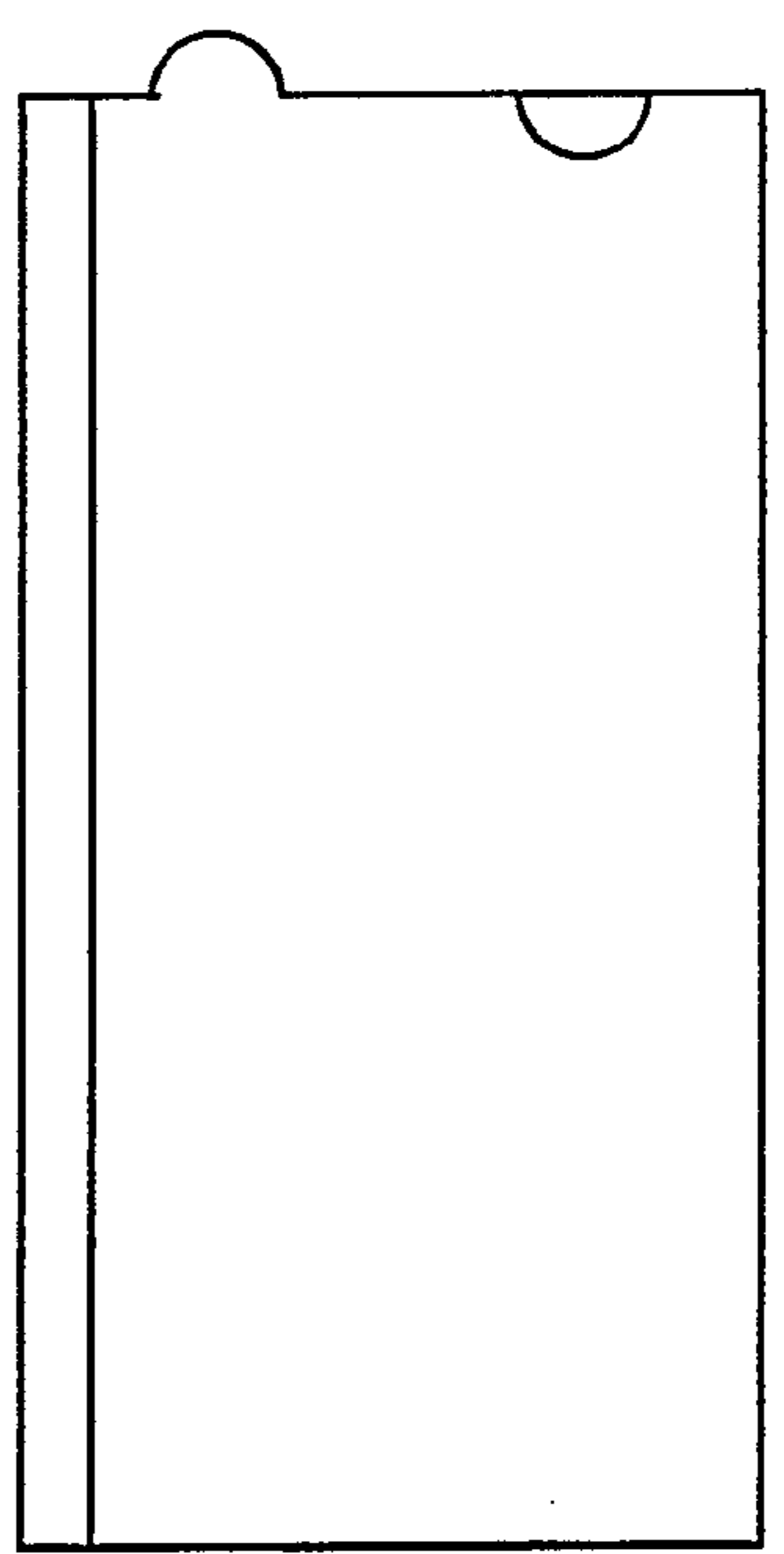
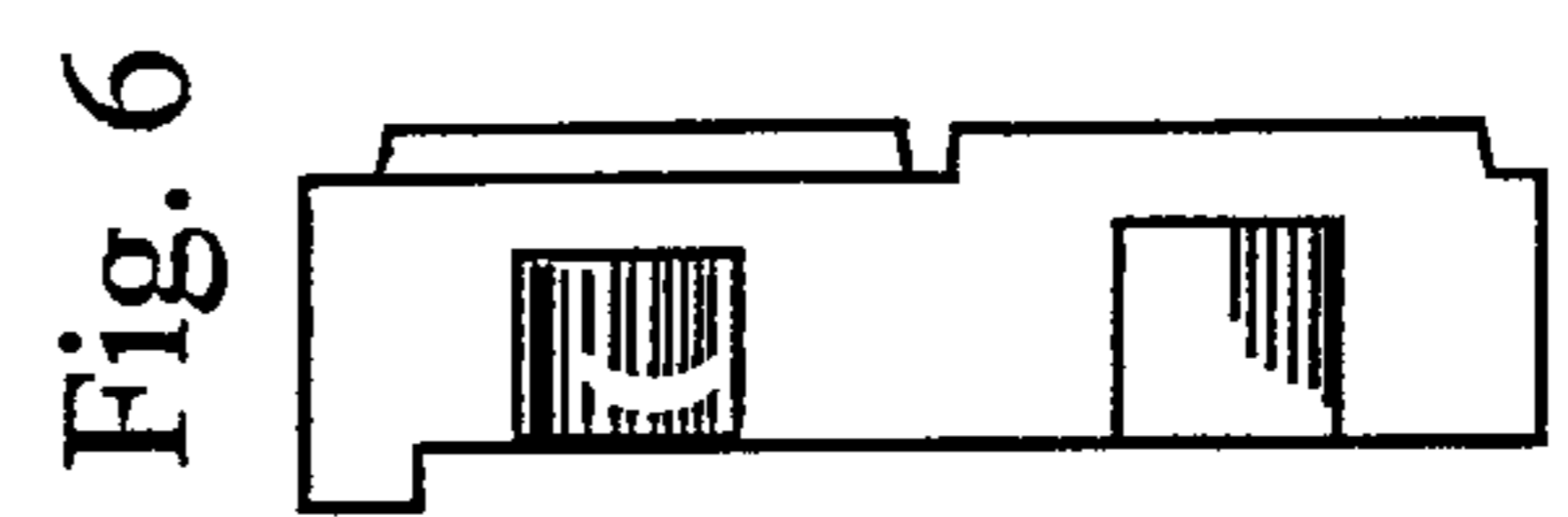
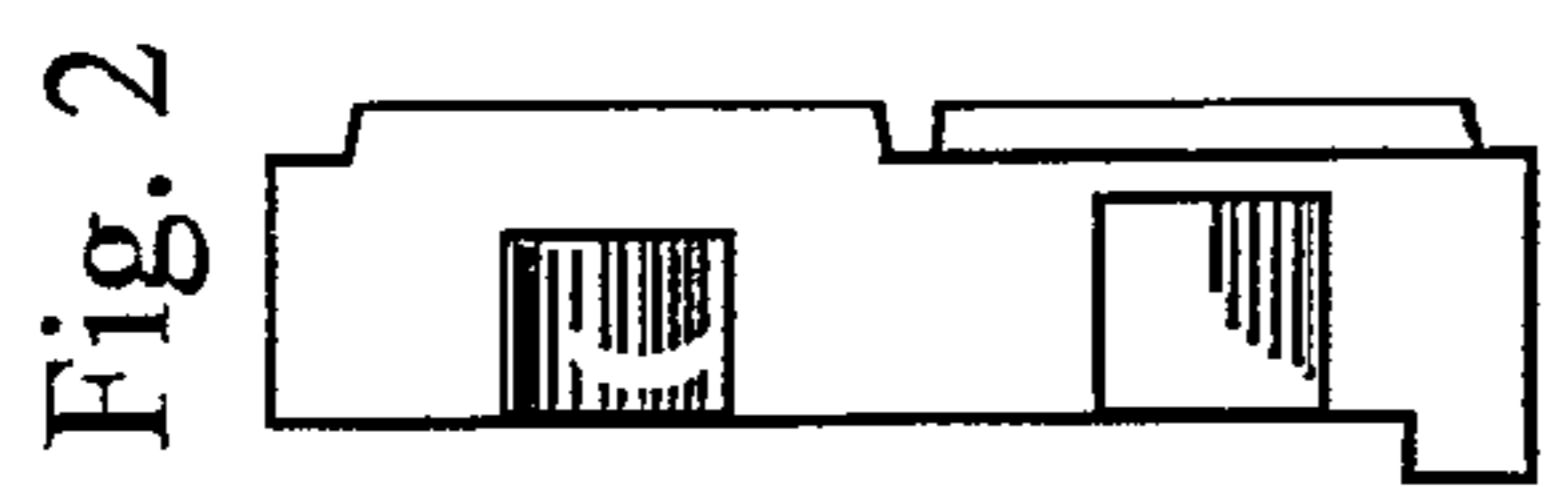
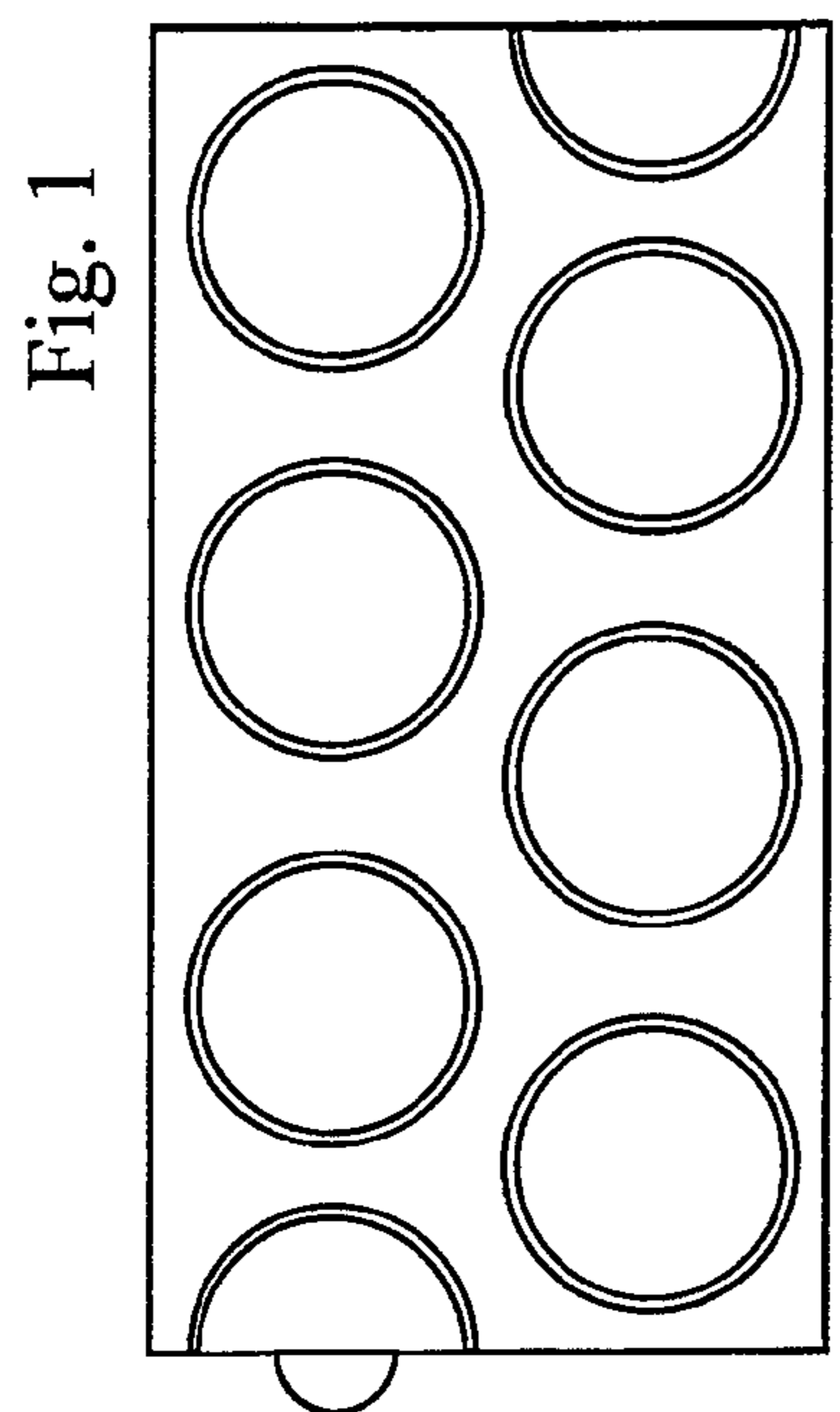
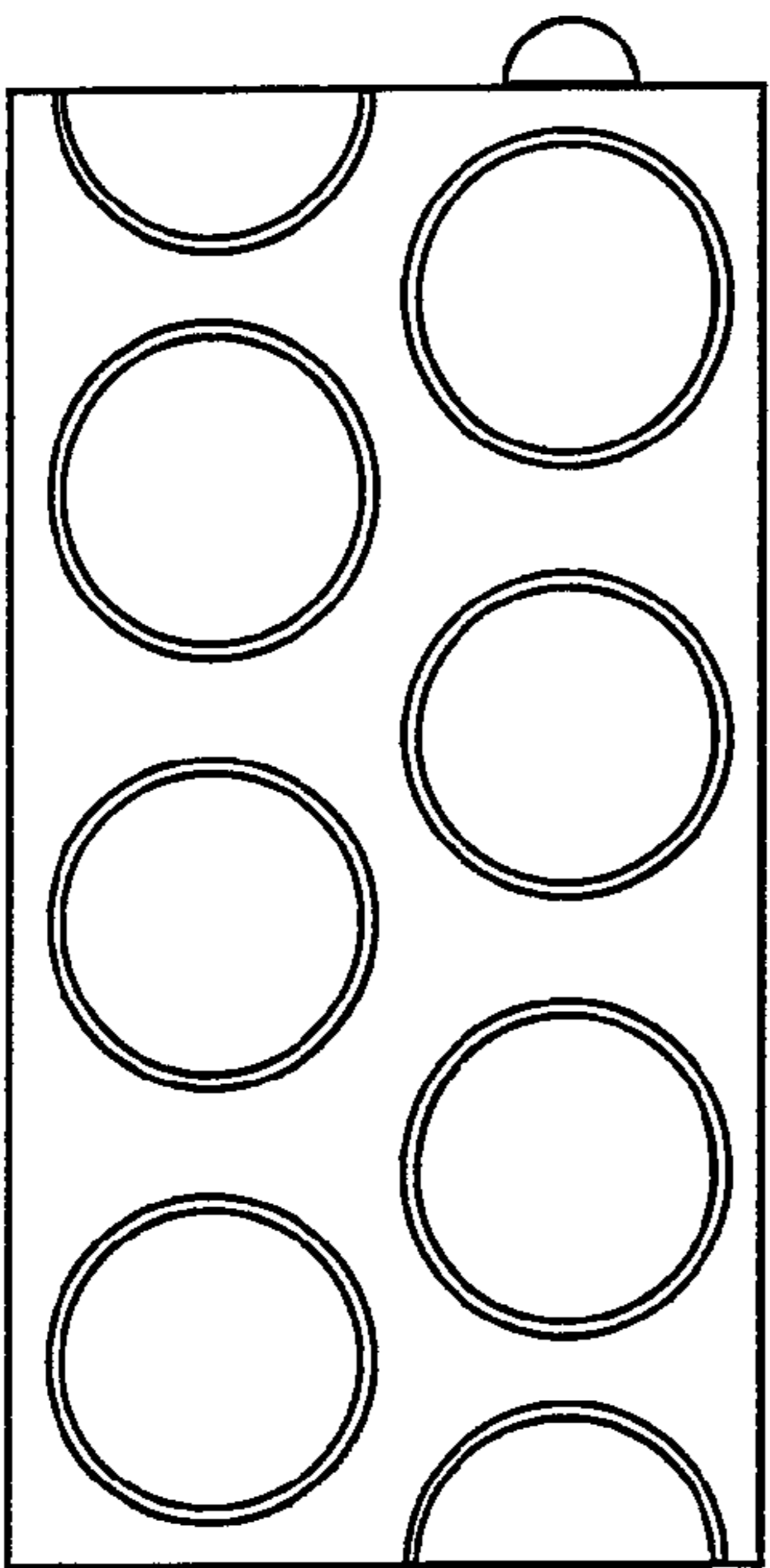
*Primary Examiner* — Anhdao Doan

(57) **CLAIM**

The ornamental design for a wall footer, as shown and described.

**1 Claim, 4 Drawing Sheets**





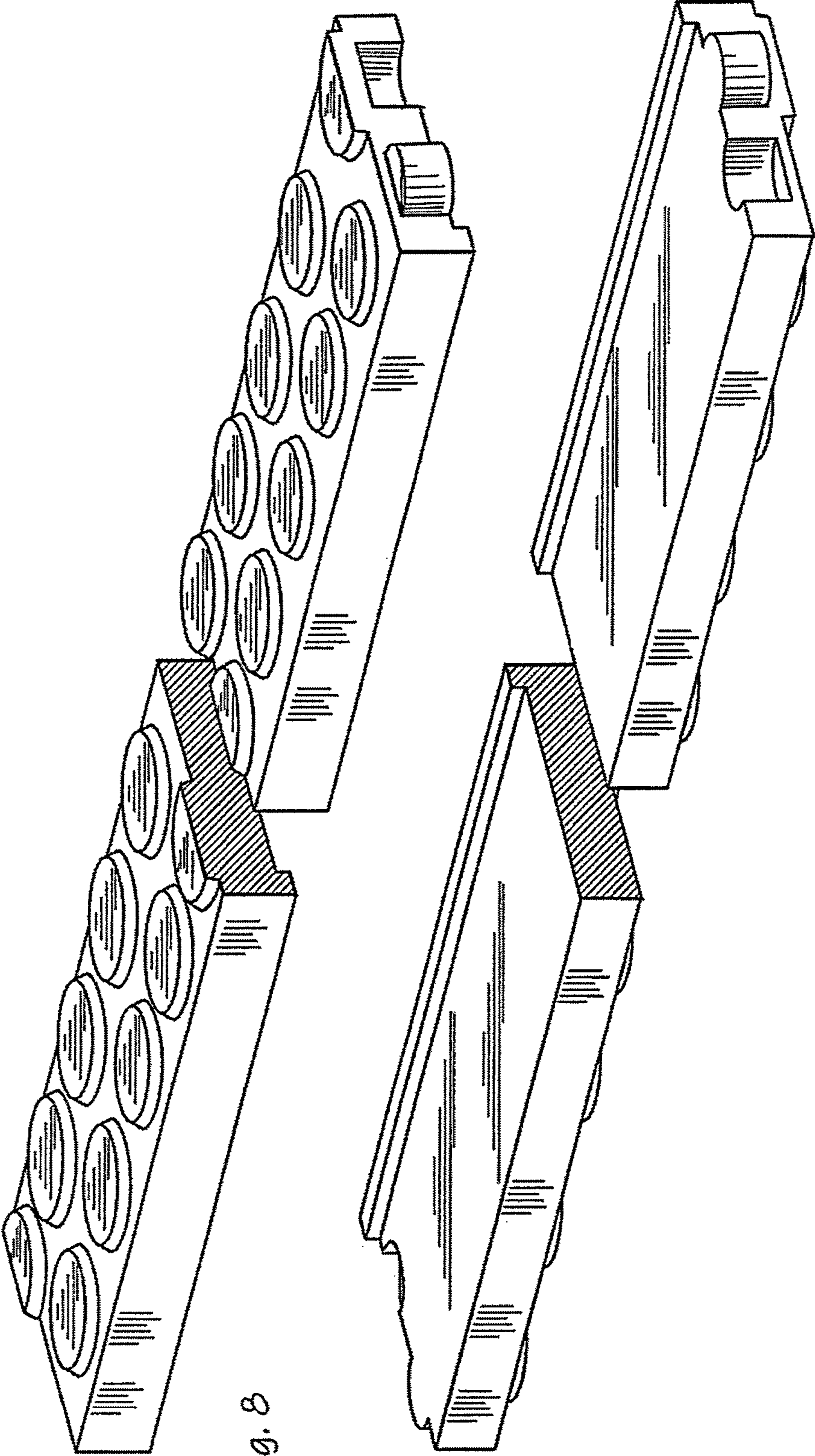


Fig. 7

Fig. 8



Fig. 10

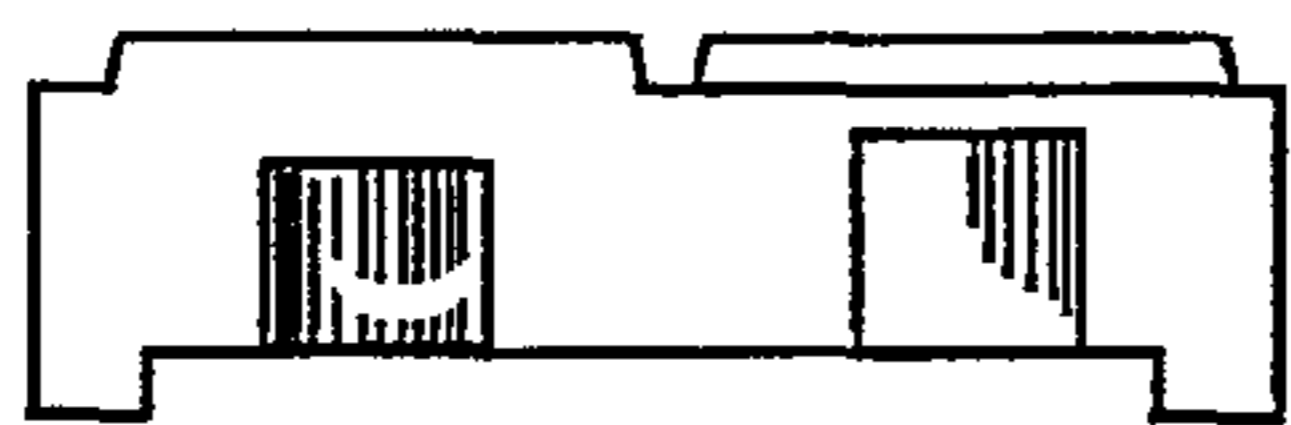


Fig. 9

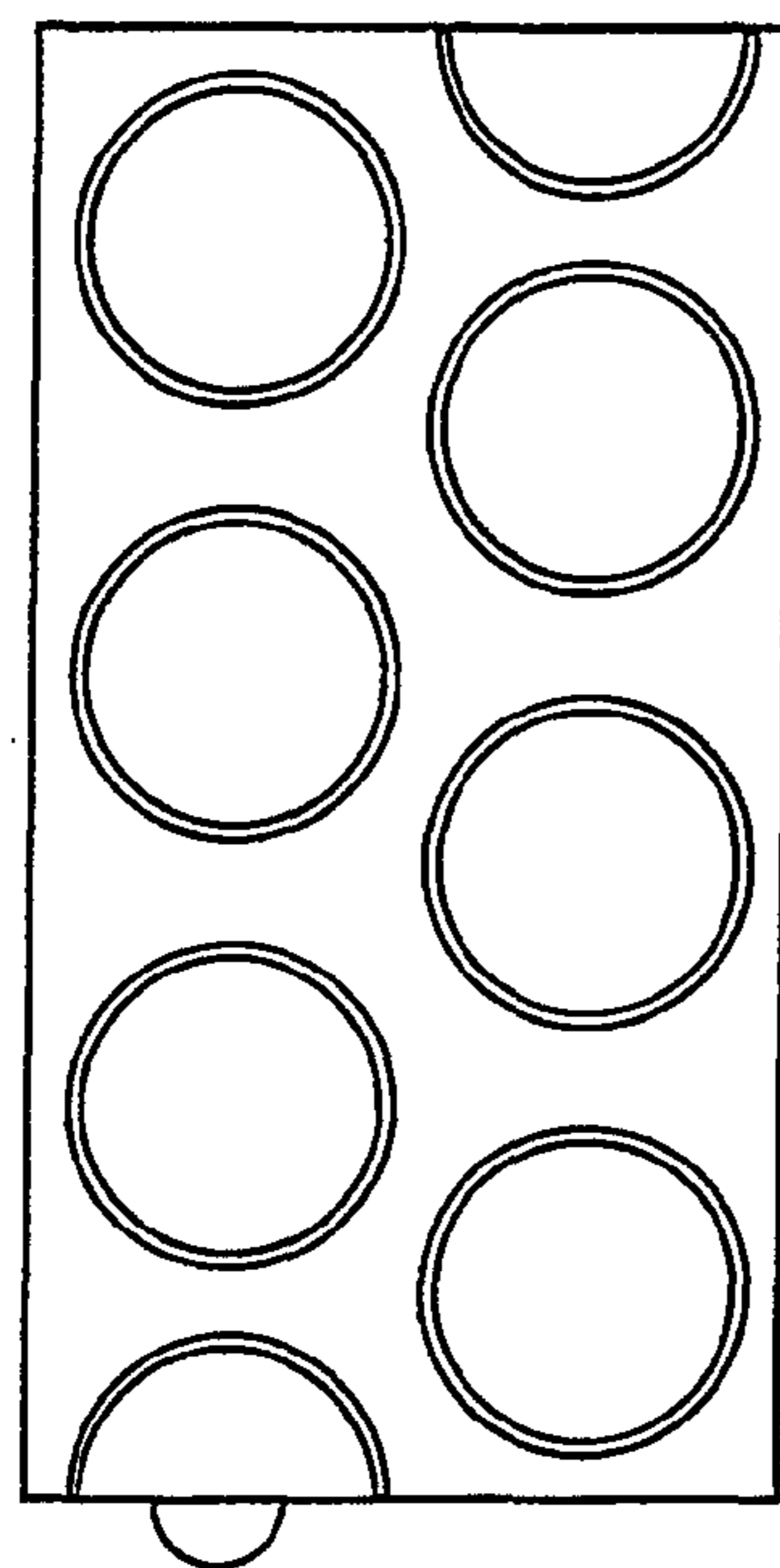


Fig. 11

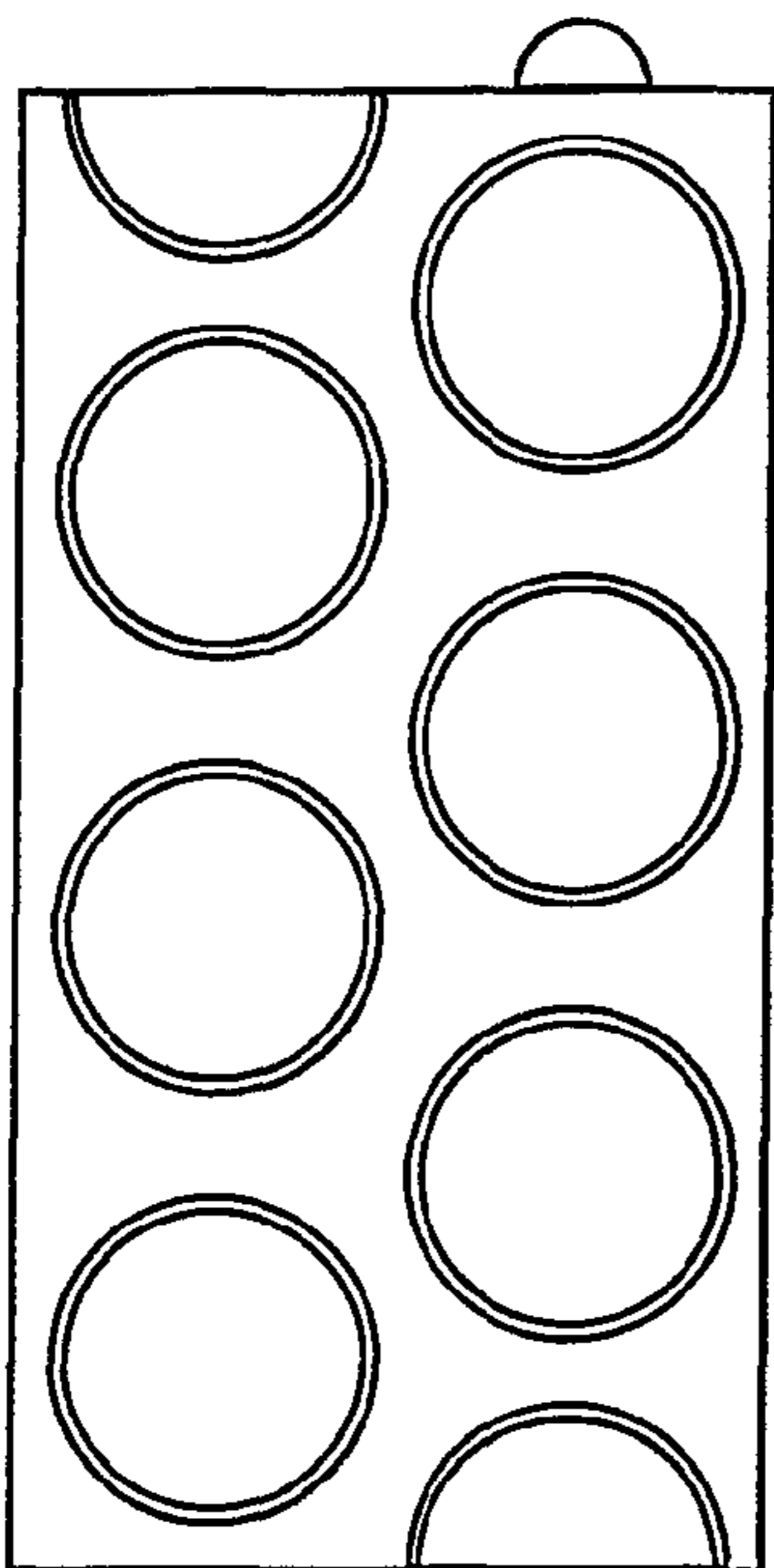


Fig. 13



Fig. 12

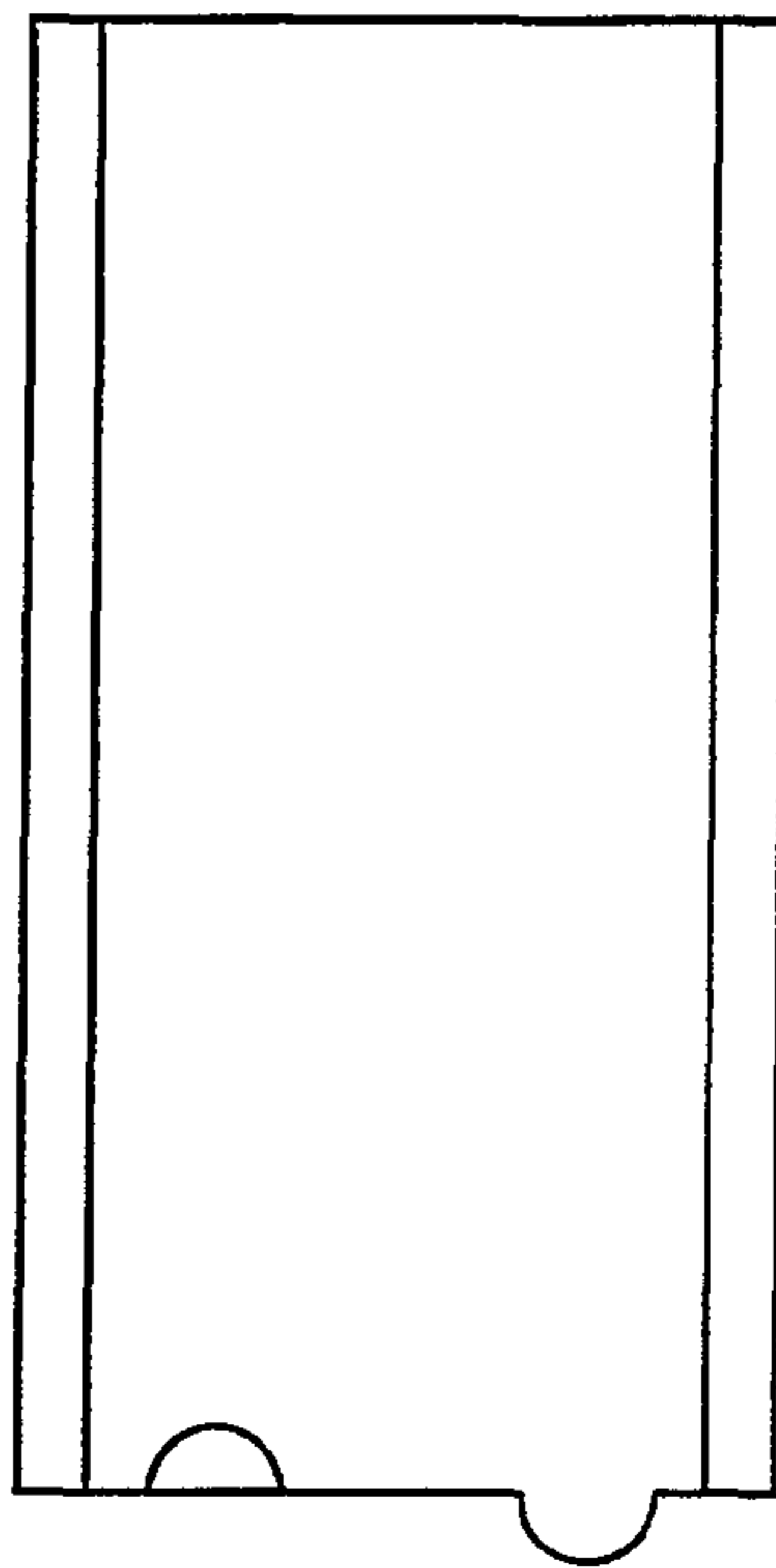
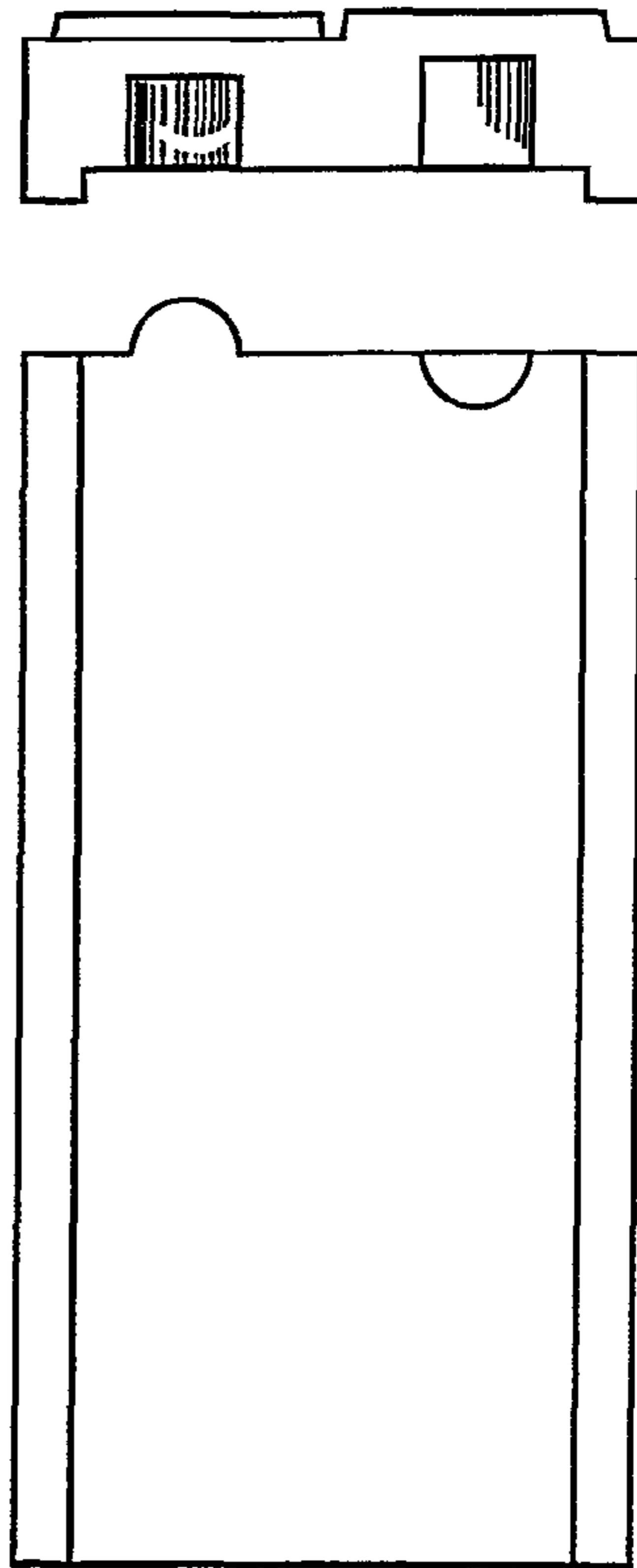


Fig. 14



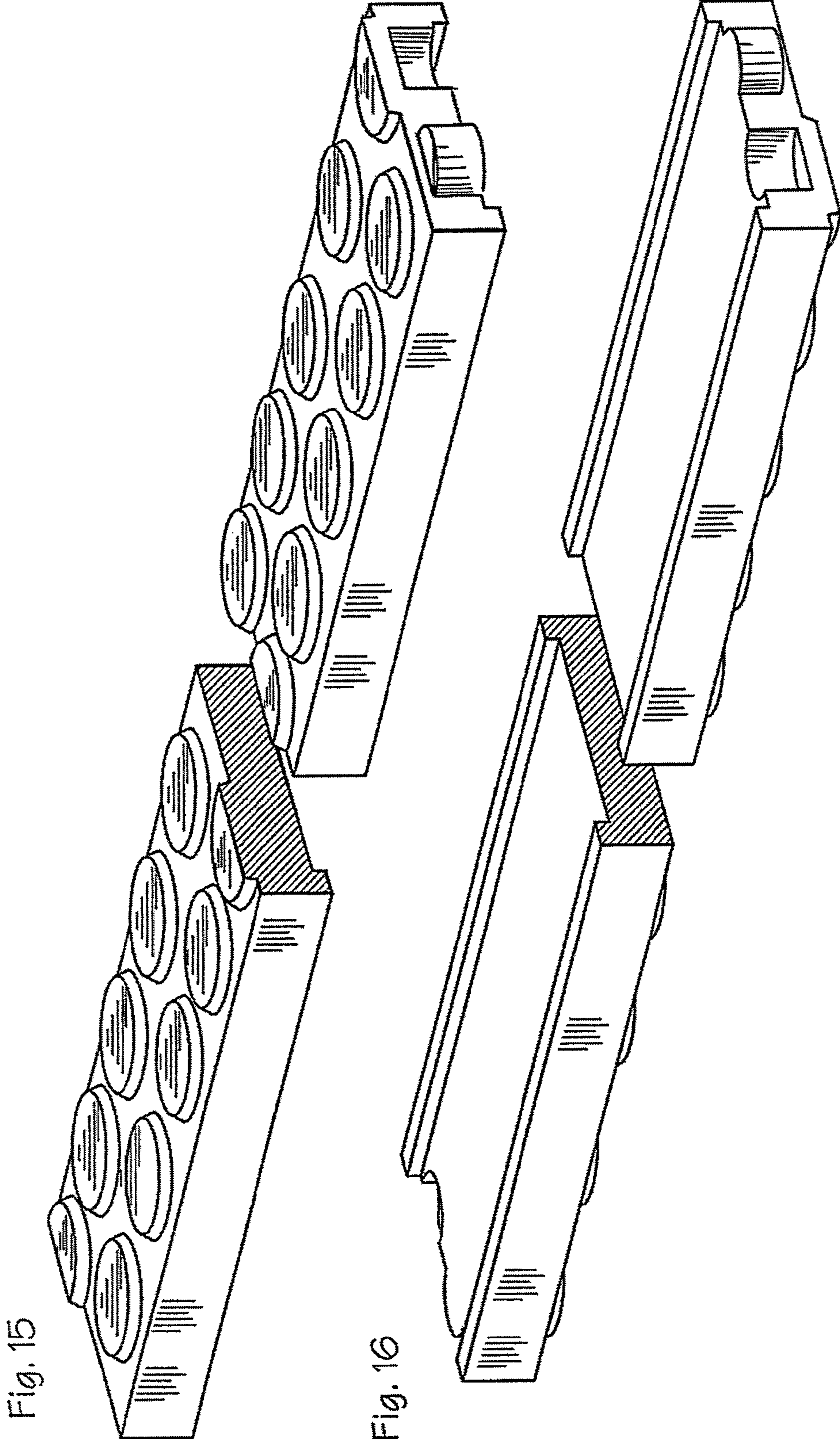


Fig. 15

Fig. 16