



US00D711011S

(12) **United States Design Patent**  
**Noda et al.**

(10) **Patent No.:** **US D711,011 S**  
(45) **Date of Patent:** **\*\* Aug. 12, 2014**

(54) **SAMPLE HOLDER FOR A COMPONENT ANALYZER**

(71) Applicant: **Hitachi High-Technologies Corporation, Tokyo (JP)**

(72) Inventors: **Hiroyuki Noda, Tokyo (JP); Hidetoshi Morokuma, Ibaraki (JP); Koji Ishiguro, Ibaraki (JP)**

(73) Assignee: **Hitachi High-Technologies Corporation, Tokyo (JP)**

(\*\*) Term: **14 Years**

(21) Appl. No.: **29/468,101**

(22) Filed: **Sep. 26, 2013**

(30) **Foreign Application Priority Data**

Mar. 26, 2013 (JP) ..... 2013-006703

(51) **LOC (10) Cl.** ..... **24-02**

(52) **U.S. Cl.**  
USPC ..... **D24/227; D24/224**

(58) **Field of Classification Search**  
USPC ..... D24/216, 224, 227-232, 223;  
422/63-64, 99-104, 266, 297, 300,  
422/537; 211/74, 71.01, 85.13; 356/244;  
D10/78, 80; 206/443, 563; 73/159;  
604/326; 250/440.11, 442.11, 537,  
250/307; 600/562

See application file for complete search history.

(56) **References Cited**

**U.S. PATENT DOCUMENTS**

3,494,189 A \* 2/1970 Markezich et al. .... 73/159  
D393,601 S \* 4/1998 Skiffington ..... D10/78

5,917,592 A \* 6/1999 Skiffington ..... 356/244  
D443,539 S \* 6/2001 Stevenson et al. .... D10/80  
D500,363 S \* 12/2004 Fanning et al. .... D24/229  
D578,653 S \* 10/2008 Suzuki et al. .... D24/216  
D578,655 S \* 10/2008 Suzuki et al. .... D24/224  
D579,120 S \* 10/2008 Suzuki et al. .... D24/224  
7,705,324 B2 \* 4/2010 Miyazaki et al. .... 250/442.11  
D674,507 S \* 1/2013 Suzuki et al. .... D24/229  
D696,419 S \* 12/2013 Fusellier et al. .... D24/230  
2008/0195066 A1 \* 8/2008 Speeg et al. .... 604/326  
2010/0102248 A1 \* 4/2010 Milas et al. .... 250/440.11  
2010/0113973 A1 \* 5/2010 Hibner et al. .... 600/567  
2010/0160816 A1 \* 6/2010 Parihar et al. .... 600/564  
2011/0200500 A1 \* 8/2011 Feilders et al. .... 422/537  
2011/0201964 A1 \* 8/2011 Speeg et al. .... 600/562  
2011/0248165 A1 \* 10/2011 Damiano et al. .... 250/307  
2012/0226193 A1 \* 9/2012 Hibner et al. .... 600/567

\* cited by examiner

*Primary Examiner* — T. Chase Nelson

*Assistant Examiner* — Mark Cavanna

(74) *Attorney, Agent, or Firm* — Antonelli, Terry, Stout & Kraus, LLP.

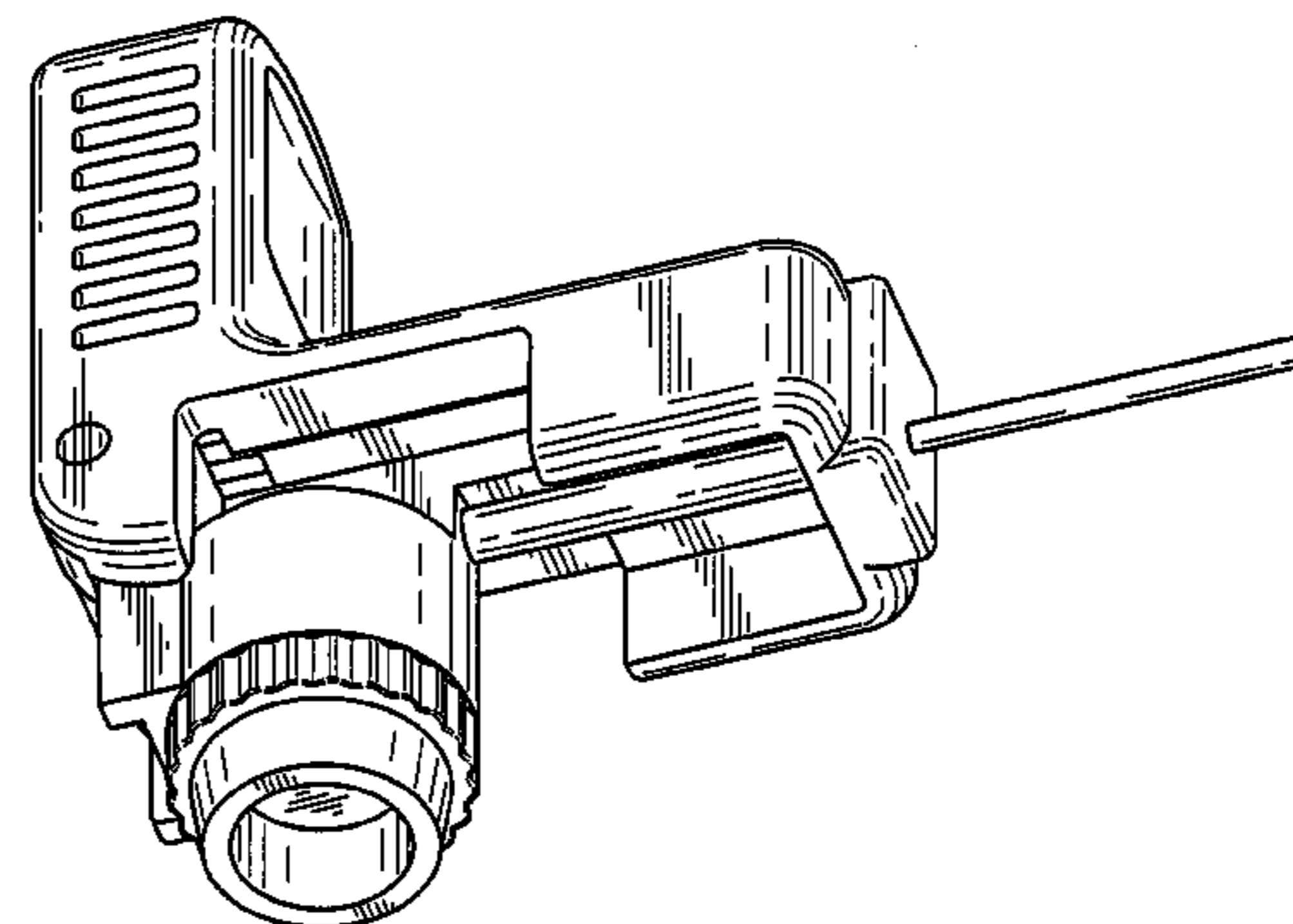
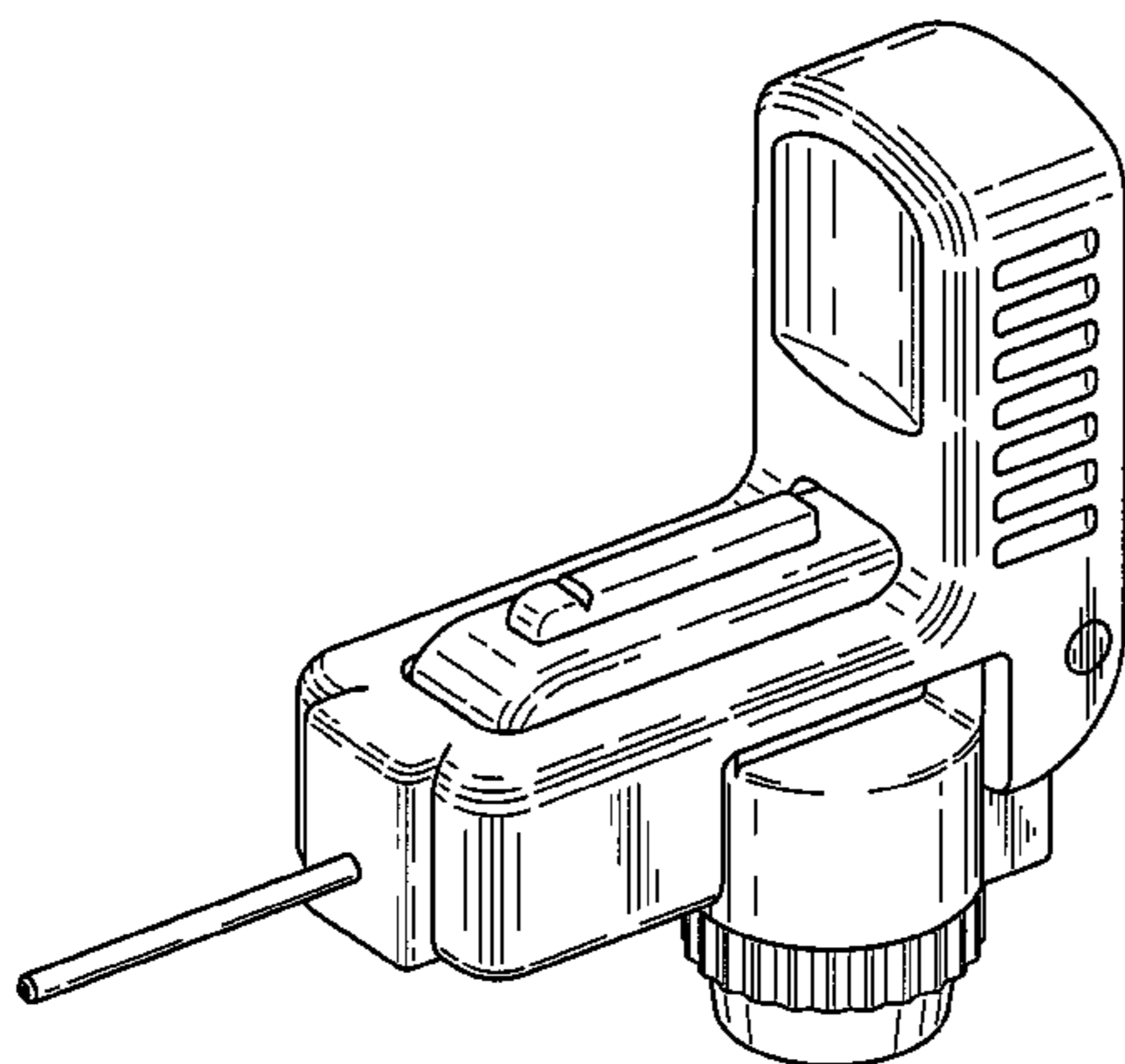
(57) **CLAIM**

The ornamental design for a sample holder for a component analyzer, as shown.

**DESCRIPTION**

FIG. 1 is a front, plan and left side perspective view of a sample holder for a component analyzer showing our new design;  
FIG. 2 is a bottom, rear and left side perspective view thereof;  
FIG. 3 is a front elevational view thereof;  
FIG. 4 is a rear elevational view thereof;  
FIG. 5 is a left side elevational view thereof;  
FIG. 6 is a right side elevational view thereof;  
FIG. 7 is a top plan view thereof; and,  
FIG. 8 is a bottom plan view thereof.

**1 Claim, 4 Drawing Sheets**



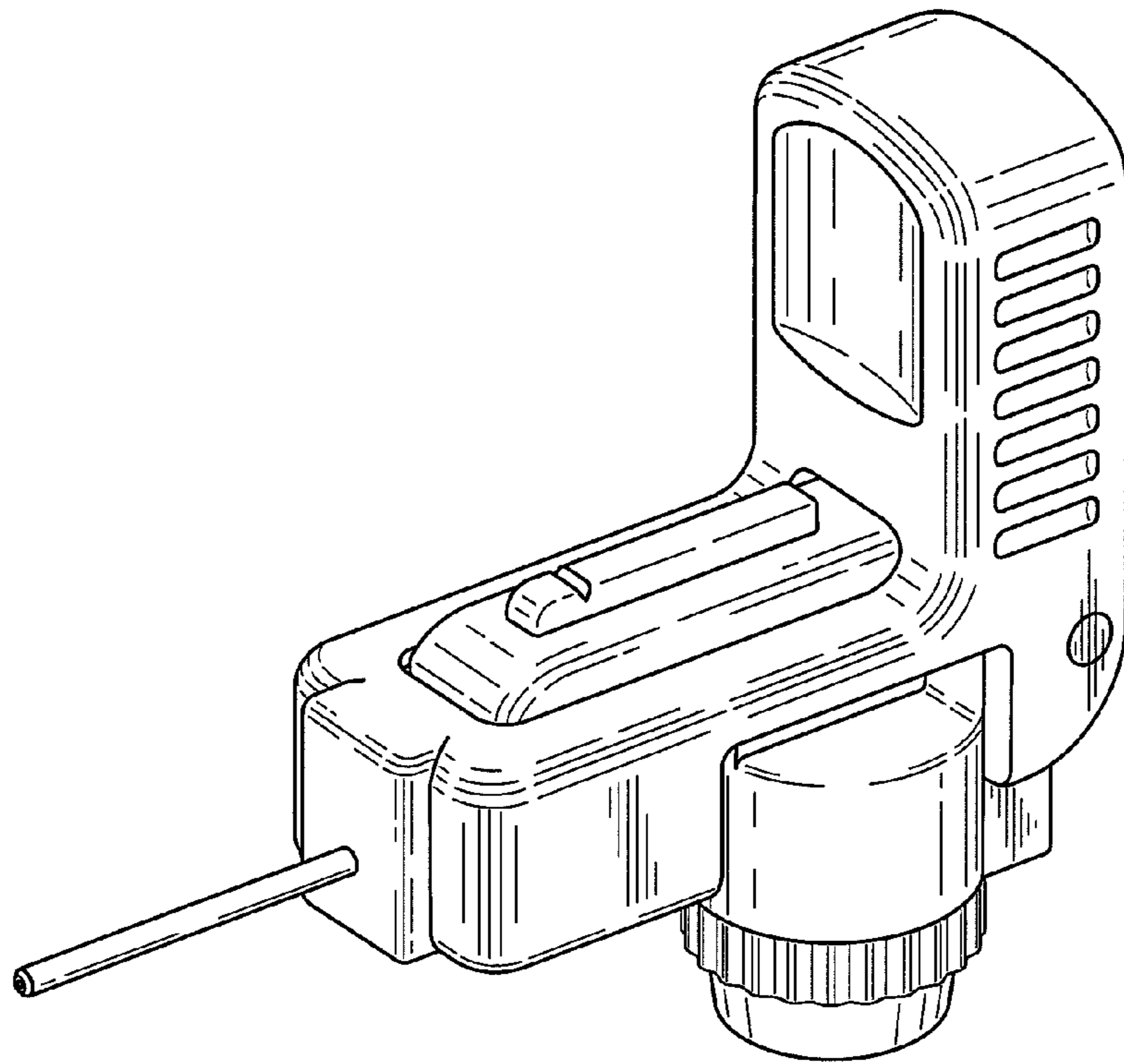


FIG. 1

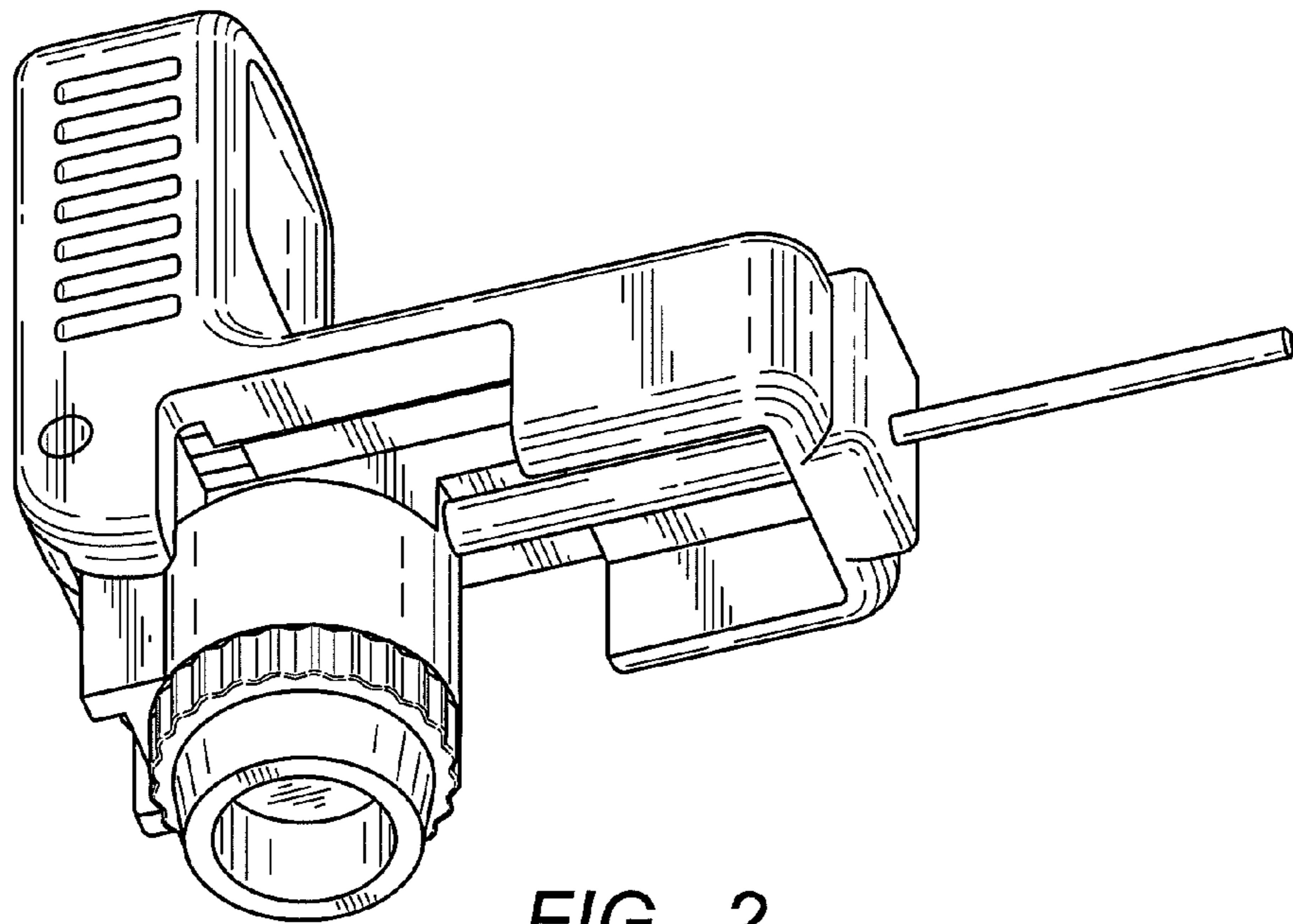


FIG. 2

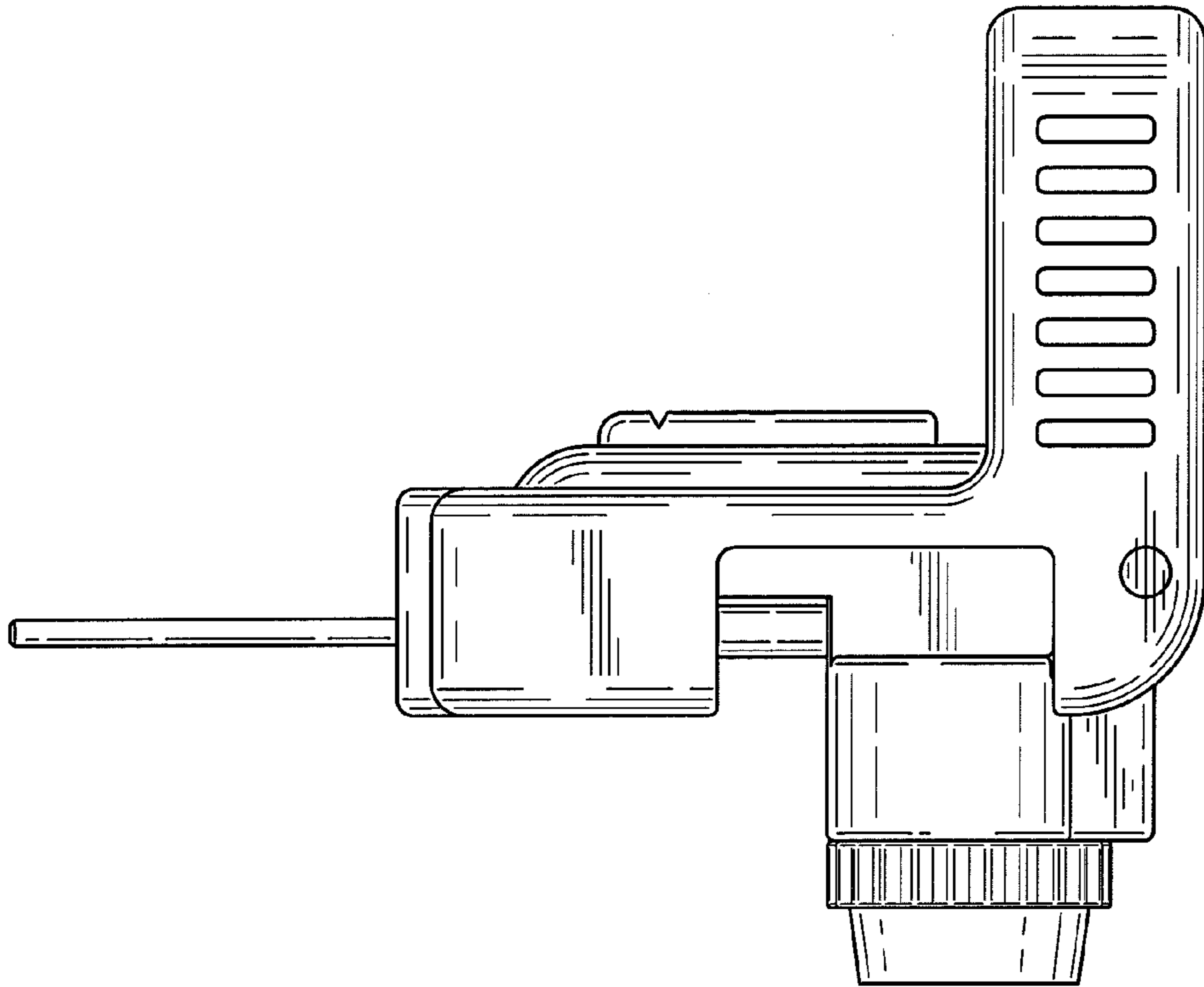


FIG. 3

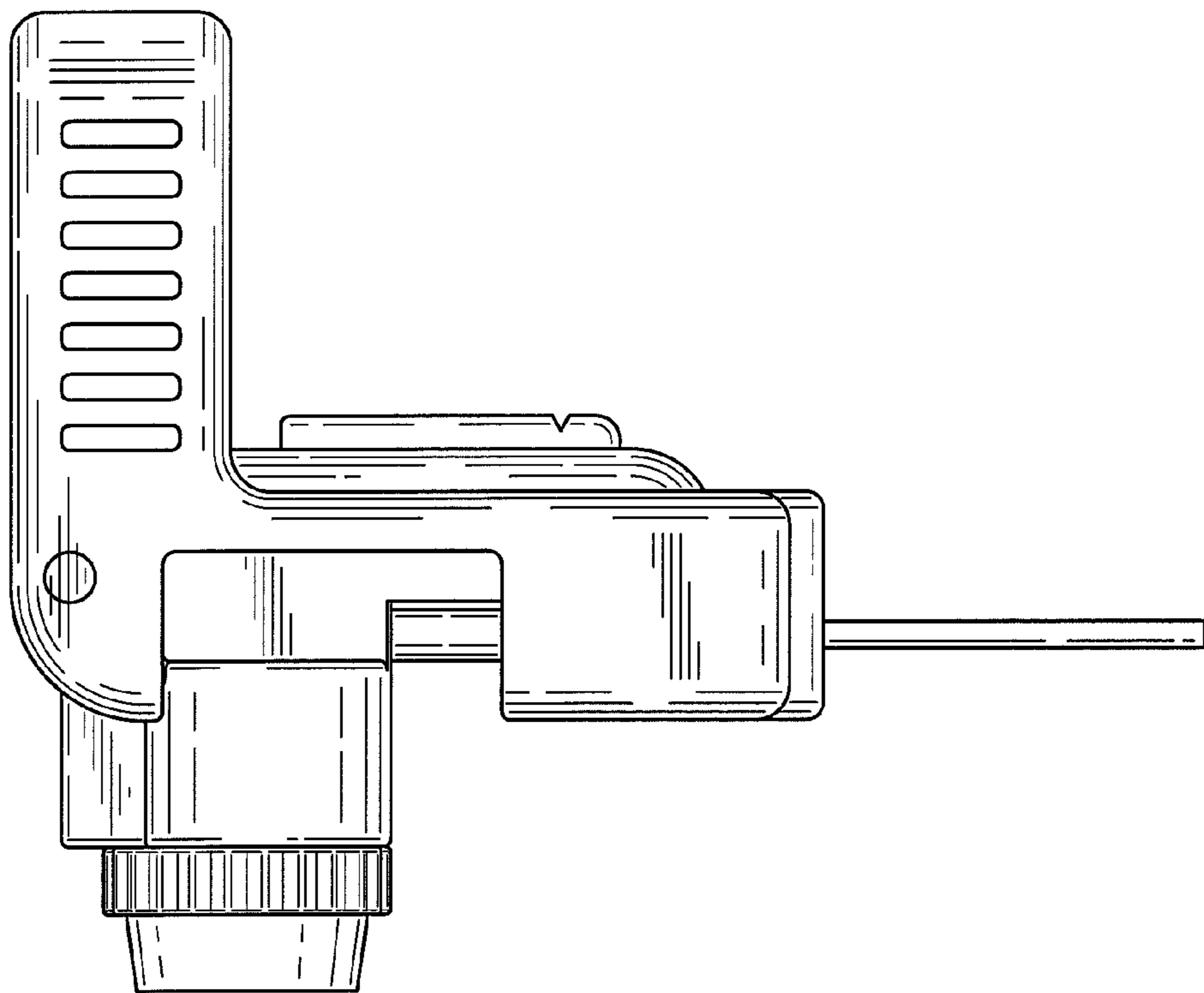
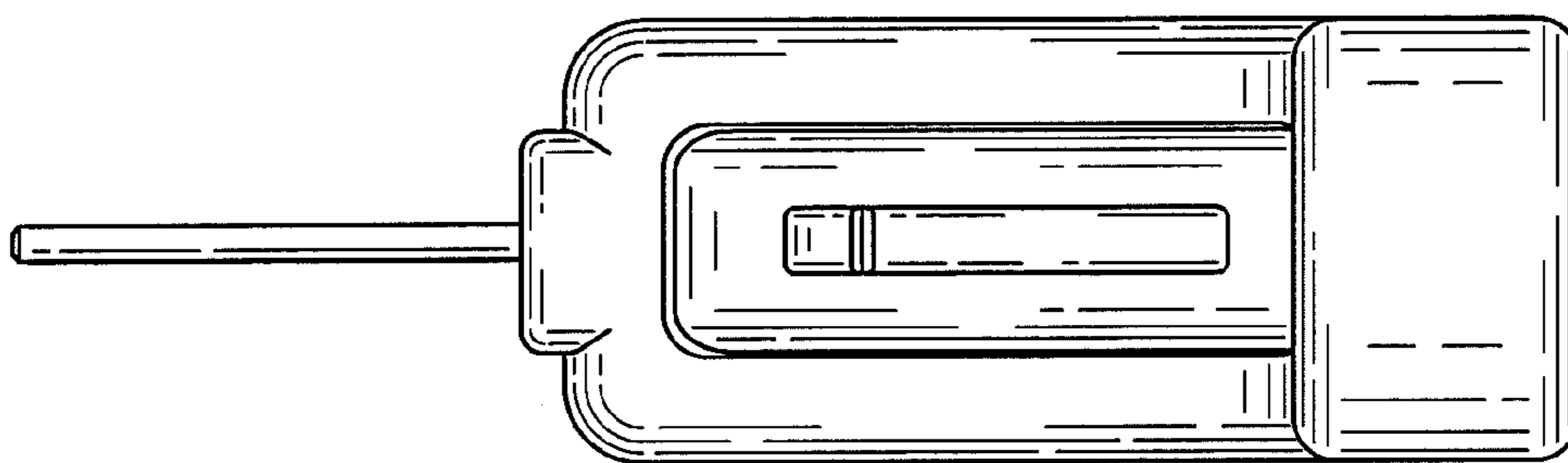
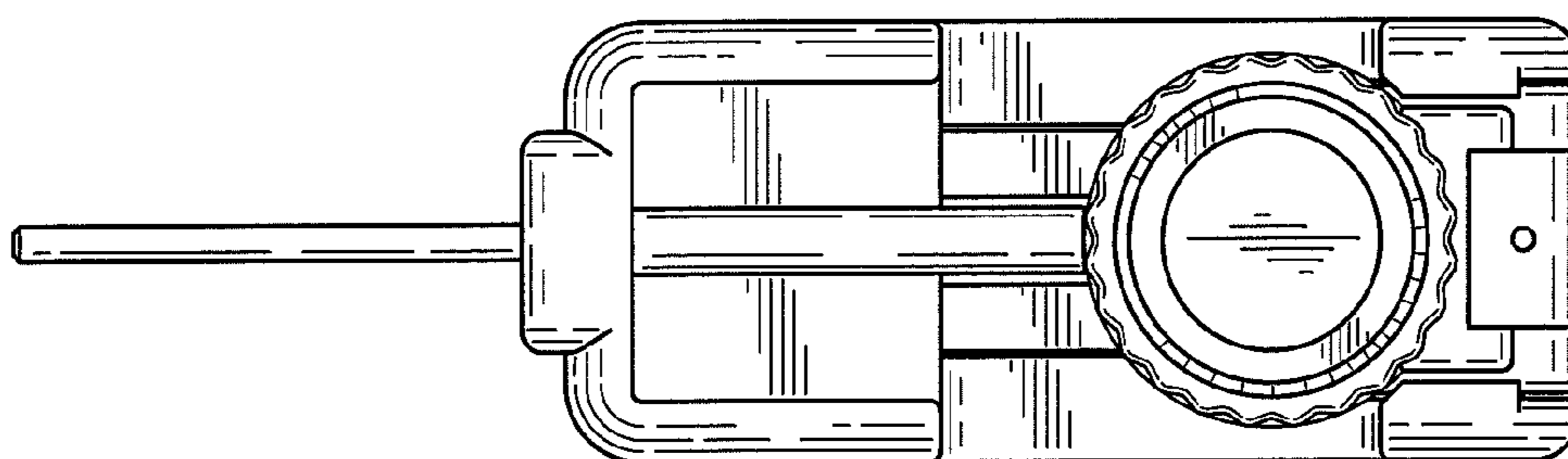


FIG. 4





*FIG. 7*



*FIG. 8*