



US00D711009S

(12) **United States Design Patent**
Wong

(10) **Patent No.:** **US D711,009 S**
(45) **Date of Patent:** **** Aug. 12, 2014**

(54) **WALL MOUNTED BACK MASSAGER**

(71) Applicant: **AAH Back Massage Inc.**, Weston, FL (US)

(72) Inventor: **Allison P. Wong**, Weston, FL (US)

(73) Assignee: **AAH Back Massage Inc.**, Weston, FL (US)

(**) Term: **14 Years**

(21) Appl. No.: **29/453,495**

(22) Filed: **Apr. 30, 2013**

Related U.S. Application Data

(63) Continuation-in-part of application No. 12/802,914, filed on Jun. 17, 2010, now abandoned.

(51) **LOC (10) Cl.** **28-03**

(52) **U.S. Cl.**
CPC **A61H 7/00** (2013.01)
USPC **D24/215**

(58) **Field of Classification Search**

CPC A61H 19/30; A61H 19/32; A61H 19/34;
A61H 19/40; A61H 19/44; A61H 19/50;
A61H 19/00; A61H 2201/0153; A61H
2201/0207; A61H 2201/0263; A61H
2201/0111; A61H 2201/1253; A61H
2205/082; A61H 2205/085; A61H 15/0085
USPC D24/200, 211, 212, 213, 214, 215;
601/19, 27-32, 46, 49, 52, DIG. 12,
601/DIG. 14, DIG. 15, DIG. 16, DIG. 17;
D21/685

See application file for complete search history.

(56) **References Cited**

U.S. PATENT DOCUMENTS

D82,677	S	*	12/1930	Heyer	D24/214
3,672,355	A	*	6/1972	Ogawa et al.	601/73
D353,008	S	*	11/1994	Van Harn	D24/211
D621,505	S	*	8/2010	Gabbay et al.	D24/141
D646,793	S	*	10/2011	Wagner	D24/211
D673,284	S	*	12/2012	Lowsky	D24/214
2007/0049851	A1	*	3/2007	Lin	601/70

* cited by examiner

Primary Examiner — Sandra Snapp

(74) *Attorney, Agent, or Firm* — Nancy J. Flint, Esq.; Nancy J. Flint, Attorney At Law, P.A.

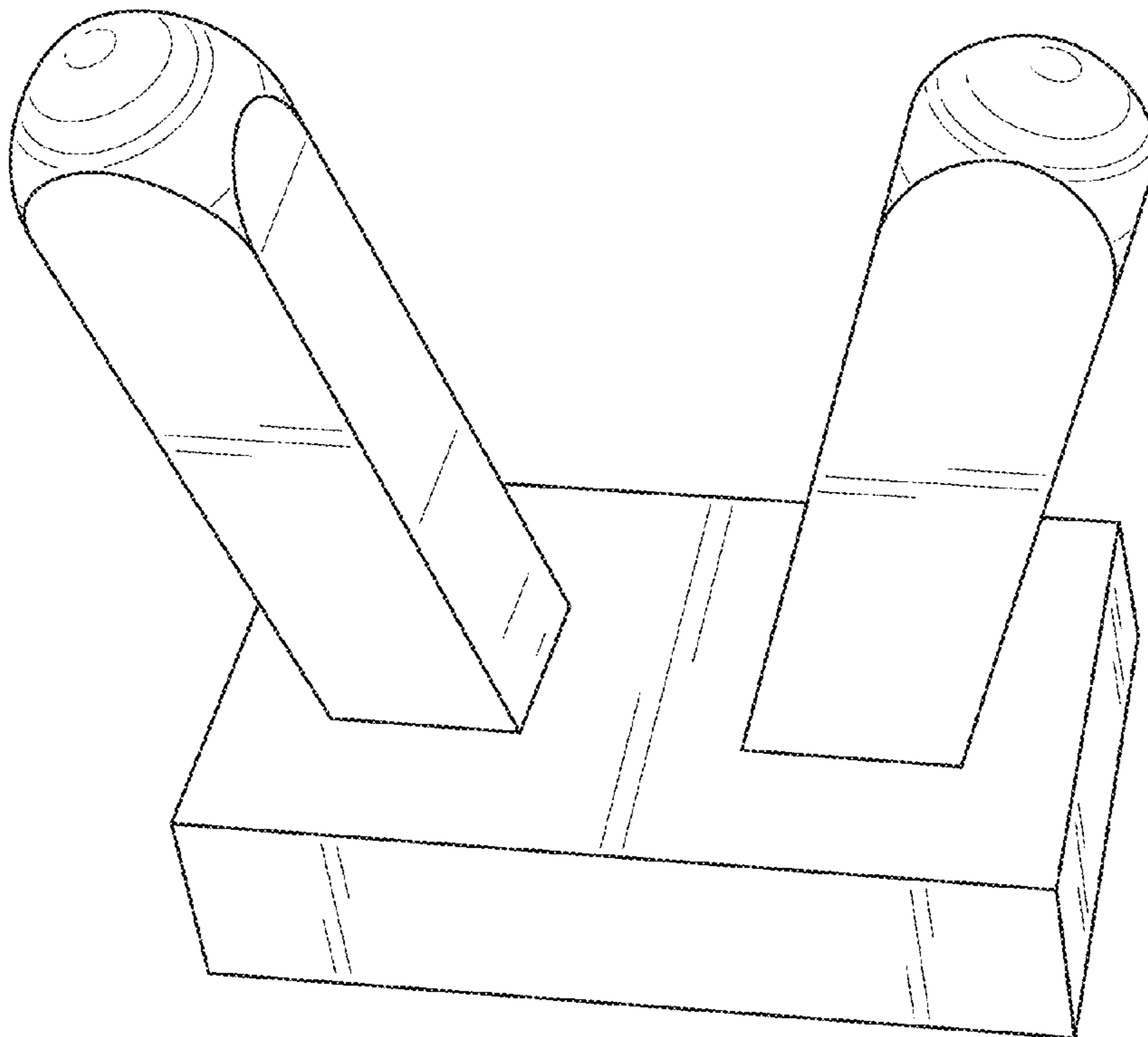
(57) **CLAIM**

The ornamental design for a wall mounted back massager, as shown and described.

DESCRIPTION

FIG. 1 is a front perspective view of a wall mounted back massager showing my new design;
FIG. 2 is a top view of a wall mounted back massager;
FIG. 3 is a bottom view of a wall mounted back massager;
FIG. 4 is a right side view of a wall mounted back massager;
FIG. 5 is a left side view of a wall mounted back massager;
FIG. 6 is a front view of a wall mounted back massager; and,
FIG. 7 is a back view of a wall mounted back massager.

1 Claim, 4 Drawing Sheets



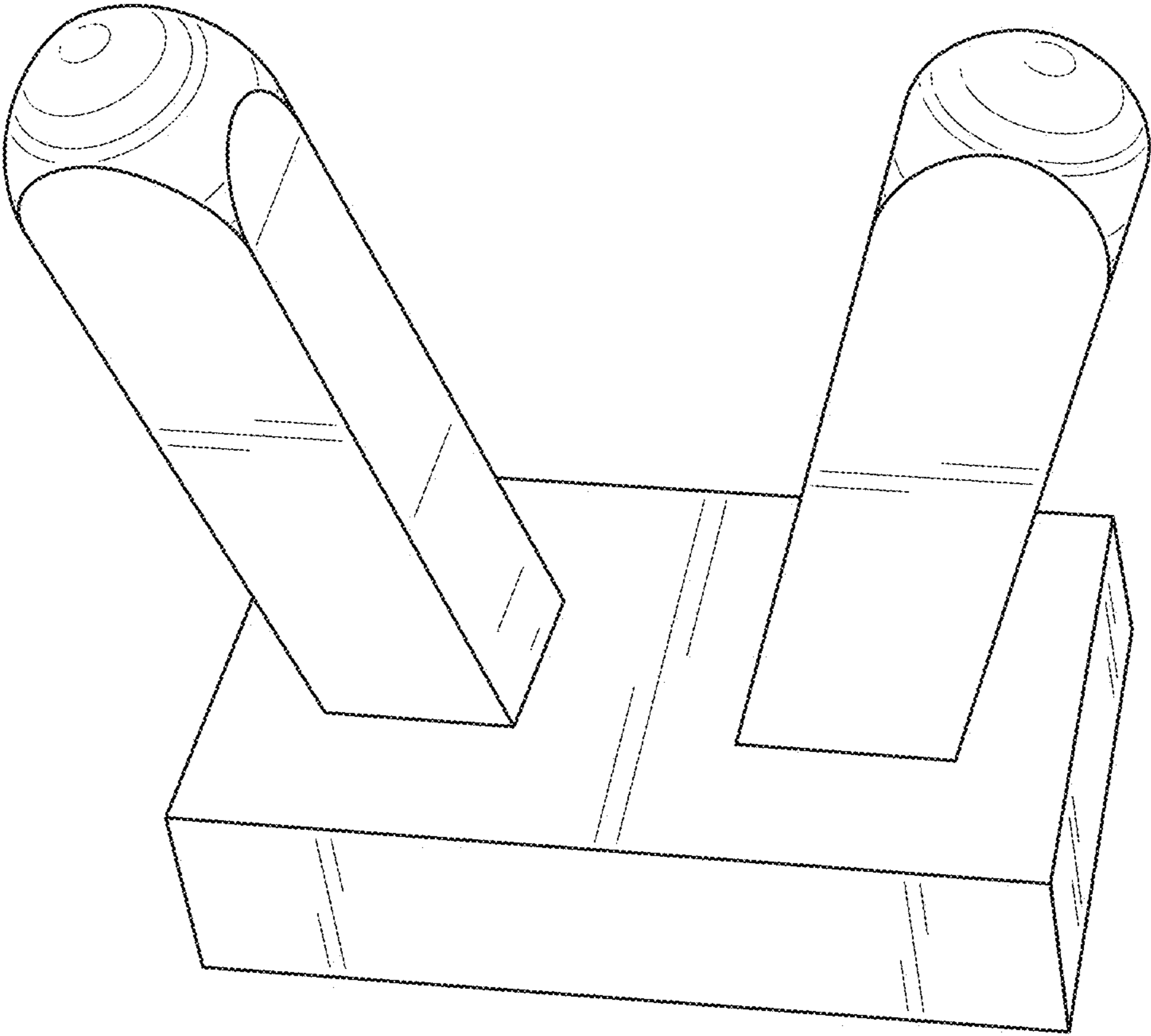


FIG. 1

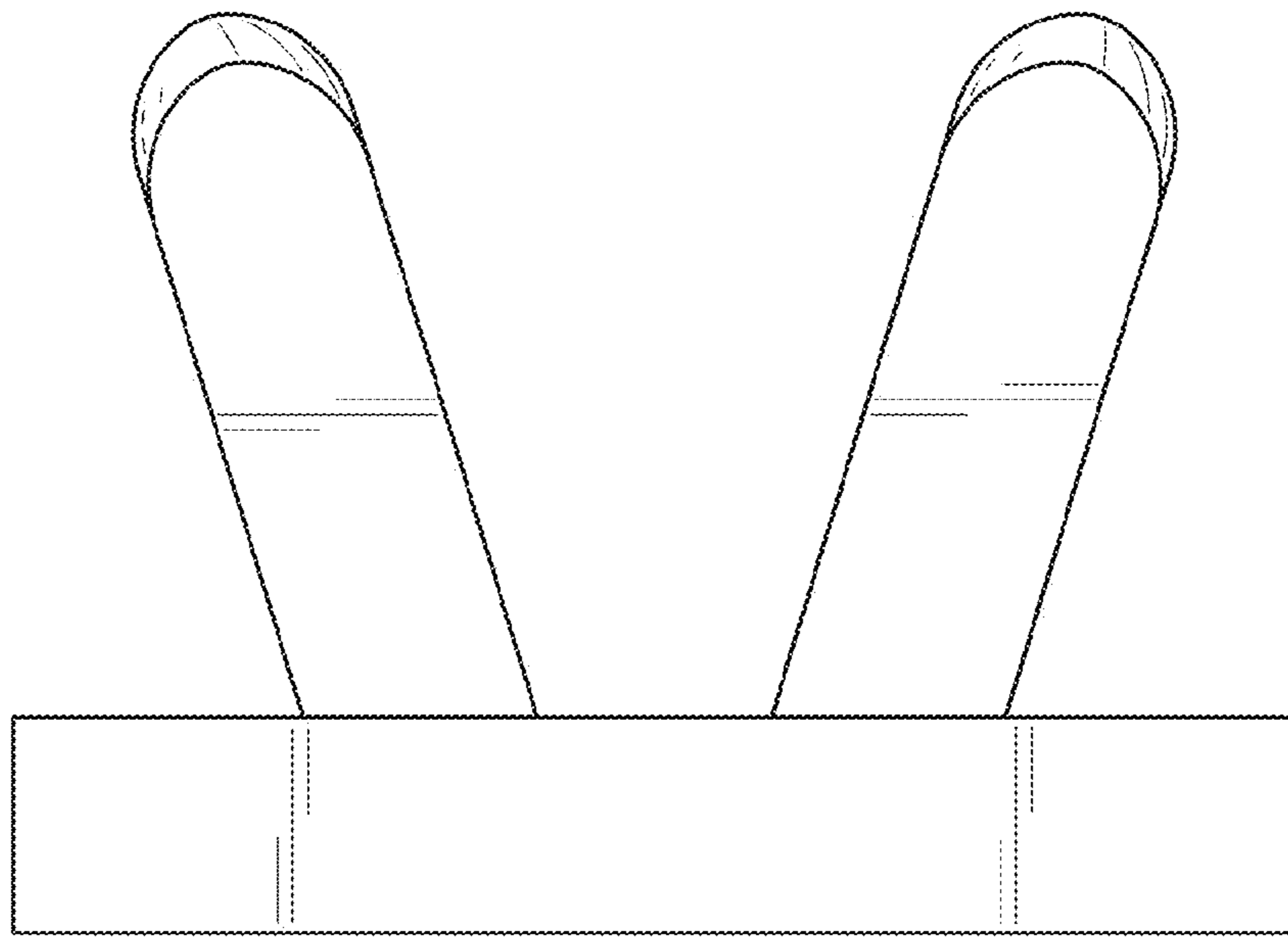


FIG. 2

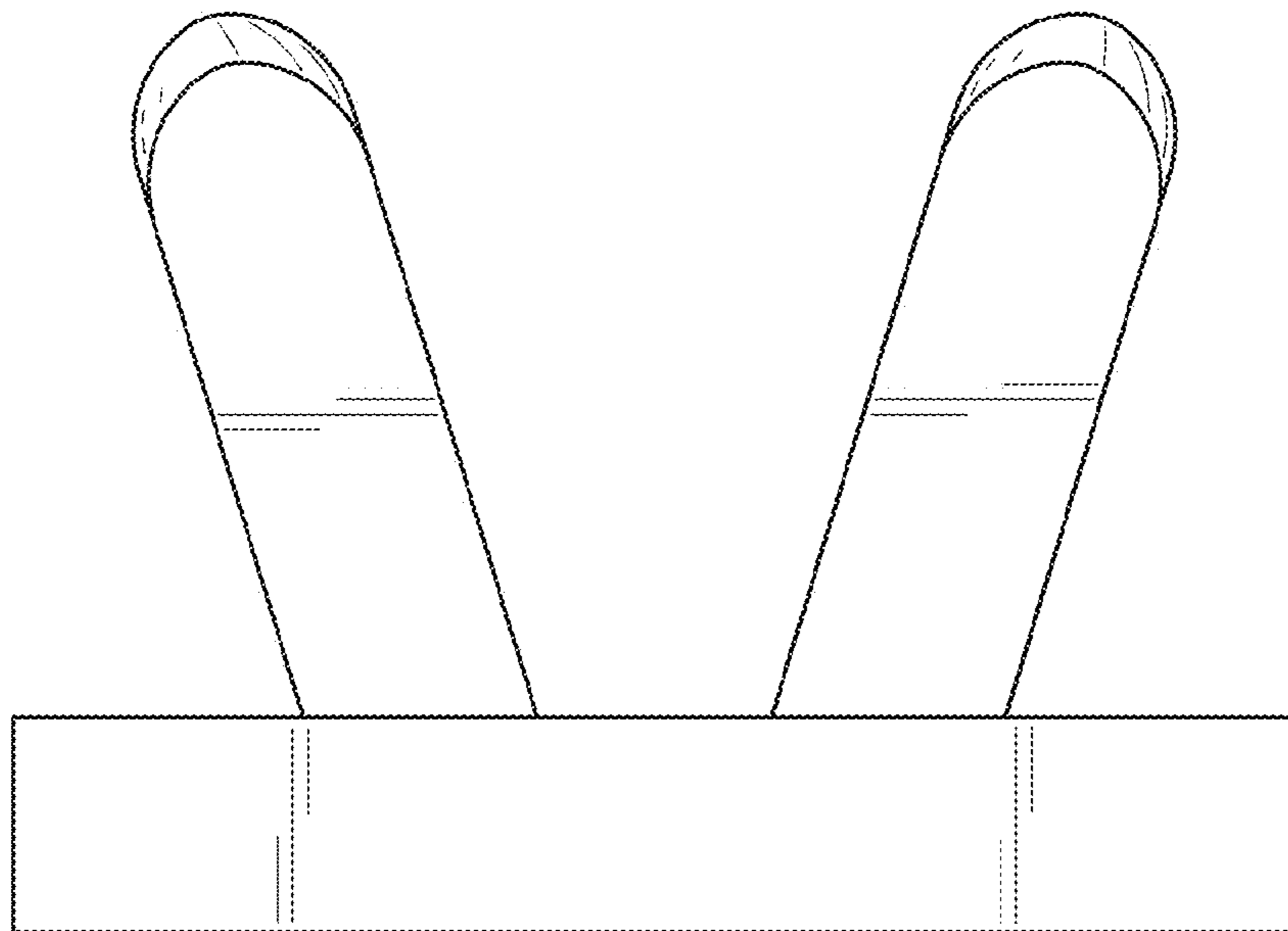


FIG. 3

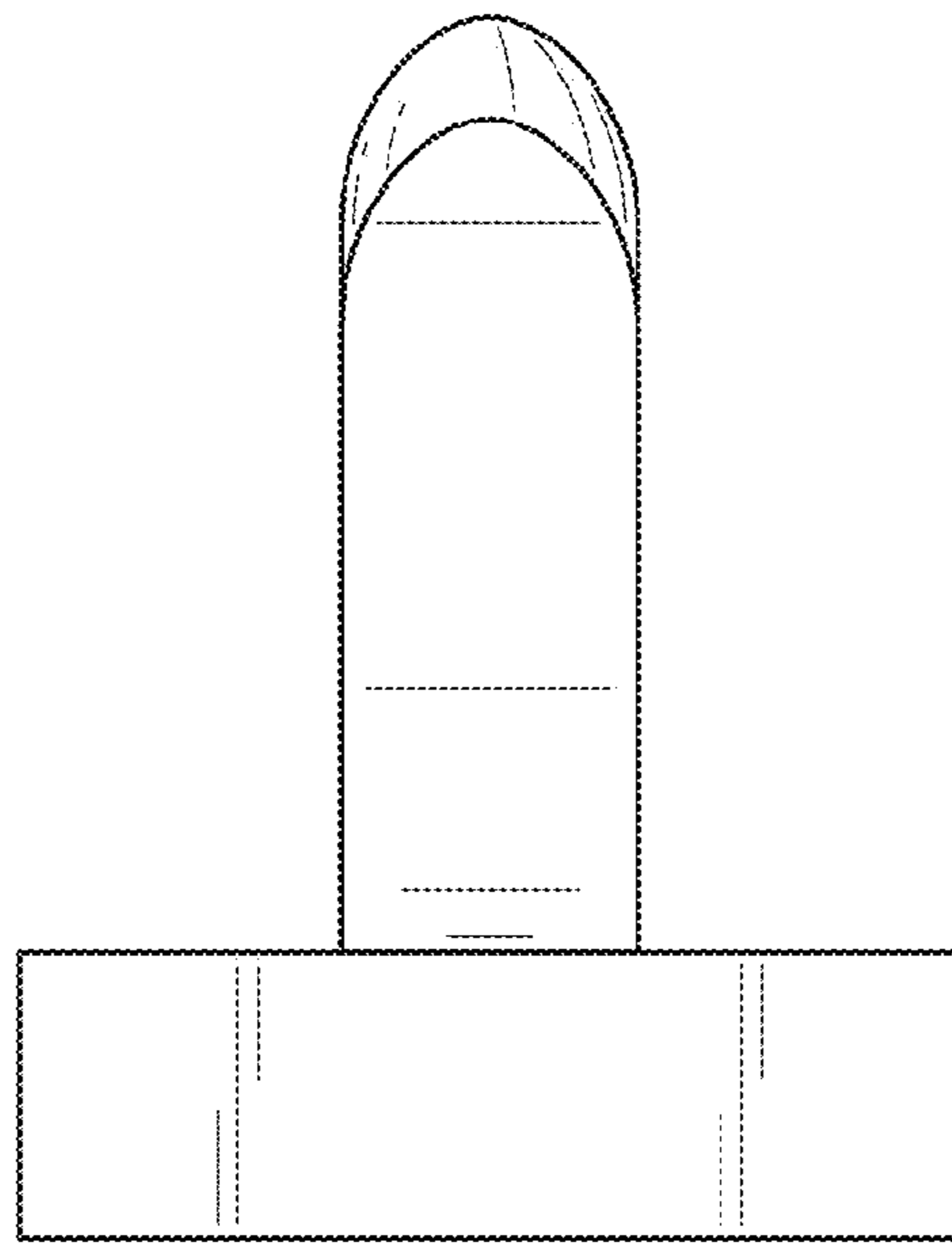


FIG. 4

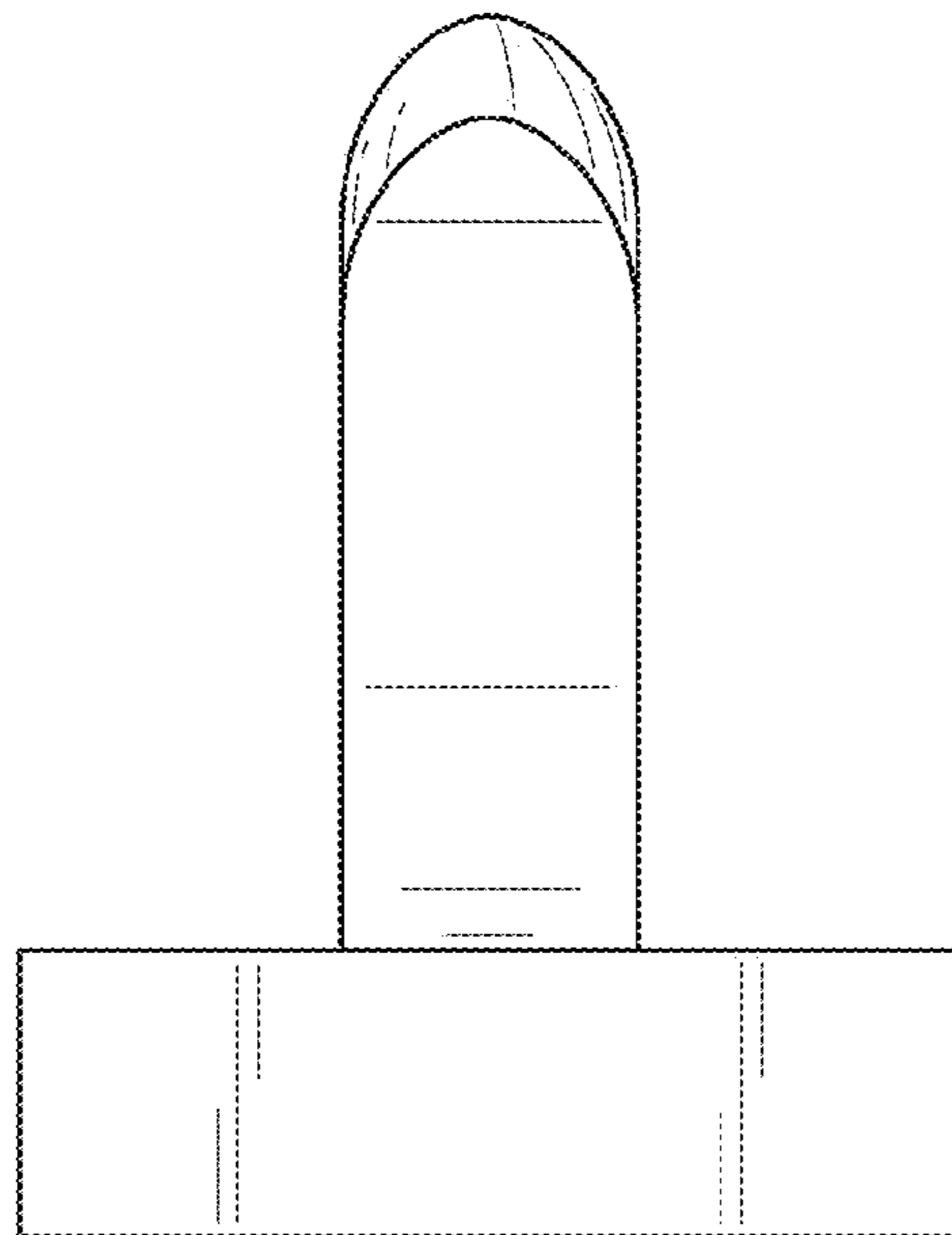


FIG. 5

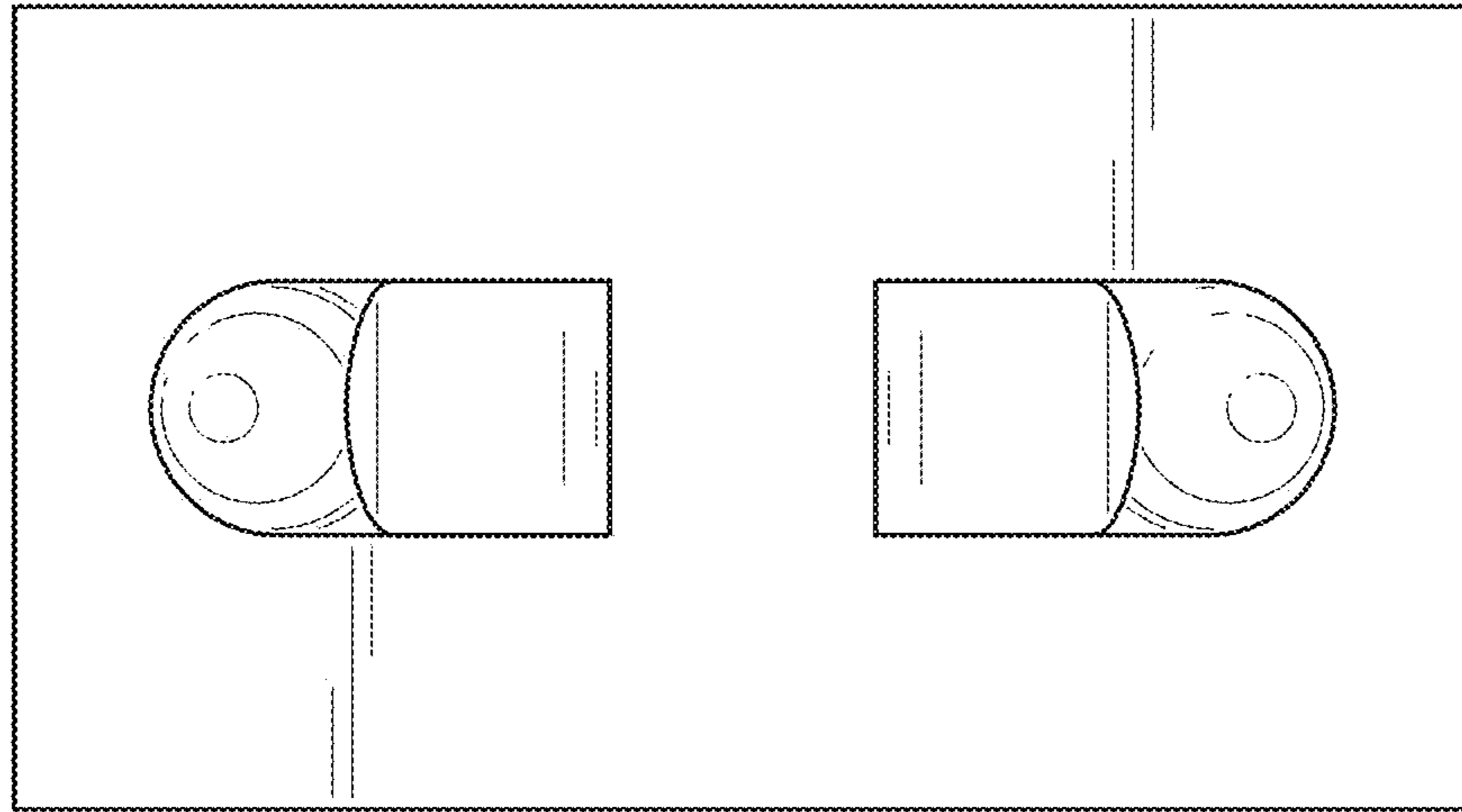


FIG. 6

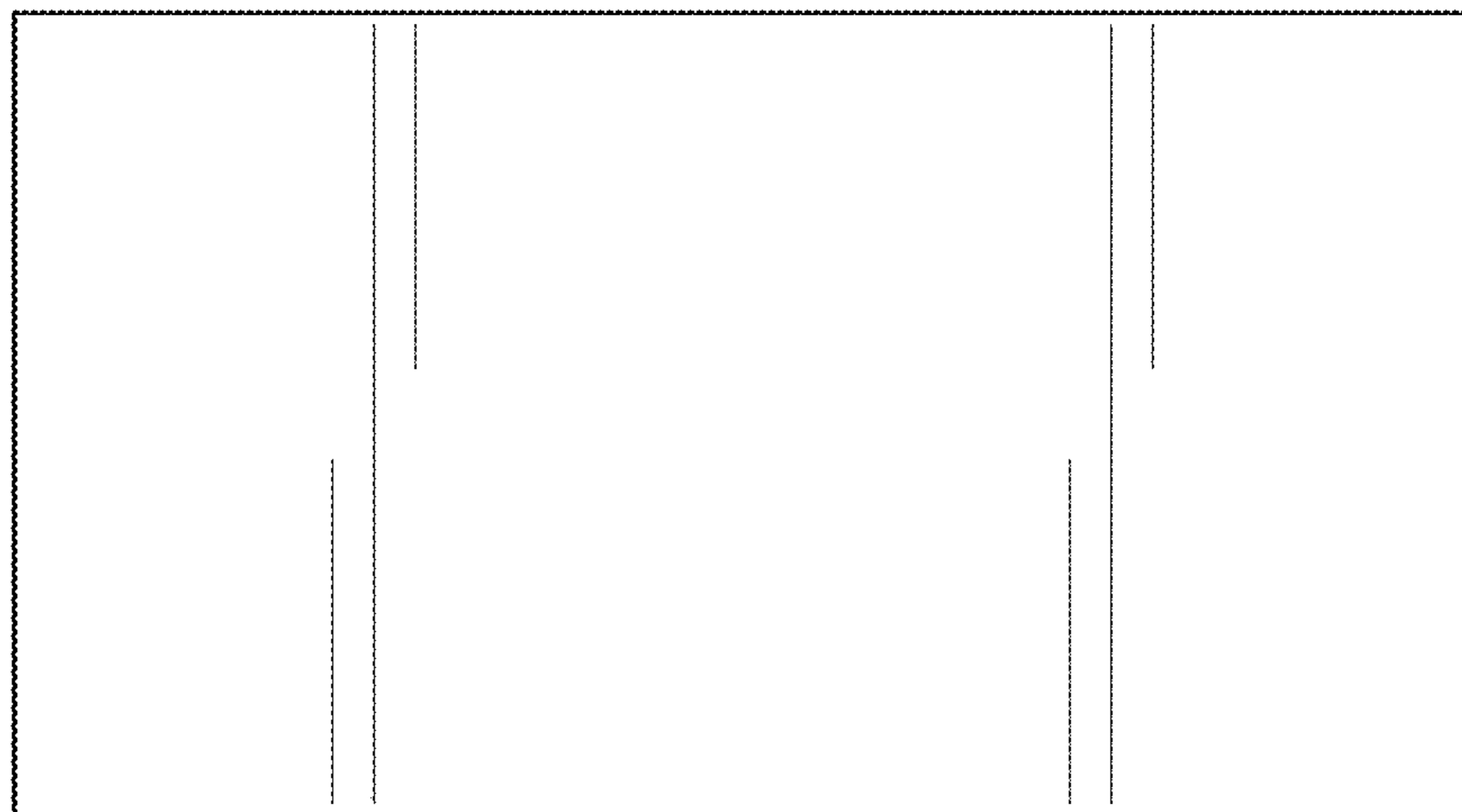


FIG. 7