



US00D711007S

(12) **United States Design Patent**  
**Cain**

(10) **Patent No.:** **US D711,007 S**

(45) **Date of Patent:** **\*\* Aug. 12, 2014**

(54) **DECORATIVE MEDICAL CAST SLEEVE**

(71) Applicant: **Courtney Cain**, Hyattsville, MD (US)

(72) Inventor: **Courtney Cain**, Hyattsville, MD (US)

(\*\*) Term: **14 Years**

(21) Appl. No.: **29/454,972**

(22) Filed: **May 15, 2013**

(51) **LOC (10) Cl.** ..... **24-04**

(52) **U.S. Cl.**  
USPC ..... **D24/190**

(58) **Field of Classification Search**

CPC ..... A61F 13/04; A61F 13/041; A61F 11/12;  
A61F 5/01; A61F 15/004; A61F 5/0118;  
A61F 13/10; A61F 5/0109; A61F 5/05866;  
A41D 13/088; A41D 13/08; A41D 27/10  
USPC ..... D24/189-190; 602/3-7, 13, 16, 20-22,  
602/36, 60, 64, 65; D29/120.1, 121.1, 113;  
128/877, 878, 879, 881, 882, 892,  
128/DIG. 19; 473/59, 62, 213; 2/16, 20, 59,  
2/159, 161.1, 161.6, 170  
See application file for complete search history.

(56) **References Cited**

**U.S. PATENT DOCUMENTS**

|                   |         |                 |       |         |
|-------------------|---------|-----------------|-------|---------|
| D388,517 S *      | 12/1997 | Figuroa         | ..... | D24/190 |
| D415,282 S *      | 10/1999 | Rutledge et al. | ..... | D24/190 |
| D483,492 S *      | 12/2003 | Dumani          | ..... | D24/190 |
| RE38,948 E *      | 1/2006  | Redman et al.   | ..... | 2/16    |
| 7,200,870 B1 *    | 4/2007  | Kolk            | ..... | 2/16    |
| D663,036 S *      | 7/2012  | Dickson         | ..... | D24/190 |
| D663,433 S *      | 7/2012  | Cain            | ..... | D24/192 |
| 2004/0154070 A1 * | 8/2004  | Gregory         | ..... | 2/159   |
| 2006/0287623 A1 * | 12/2006 | Beck et al.     | ..... | 602/3   |

|                   |         |               |       |        |
|-------------------|---------|---------------|-------|--------|
| 2010/0292620 A1 * | 11/2010 | Lattimore     | ..... | 602/3  |
| 2012/0145303 A1 * | 6/2012  | McClarnan     | ..... | 156/60 |
| 2012/0323153 A1 * | 12/2012 | Ferenc et al. | ..... | 602/3  |
| 2013/0096474 A1 * | 4/2013  | Sager         | ..... | 602/3  |

\* cited by examiner

*Primary Examiner* — Eric Goodman

*Assistant Examiner* — Jennifer Watkins

(74) *Attorney, Agent, or Firm* — Symbus Law Group, LLC;  
Clifford D. Hyra

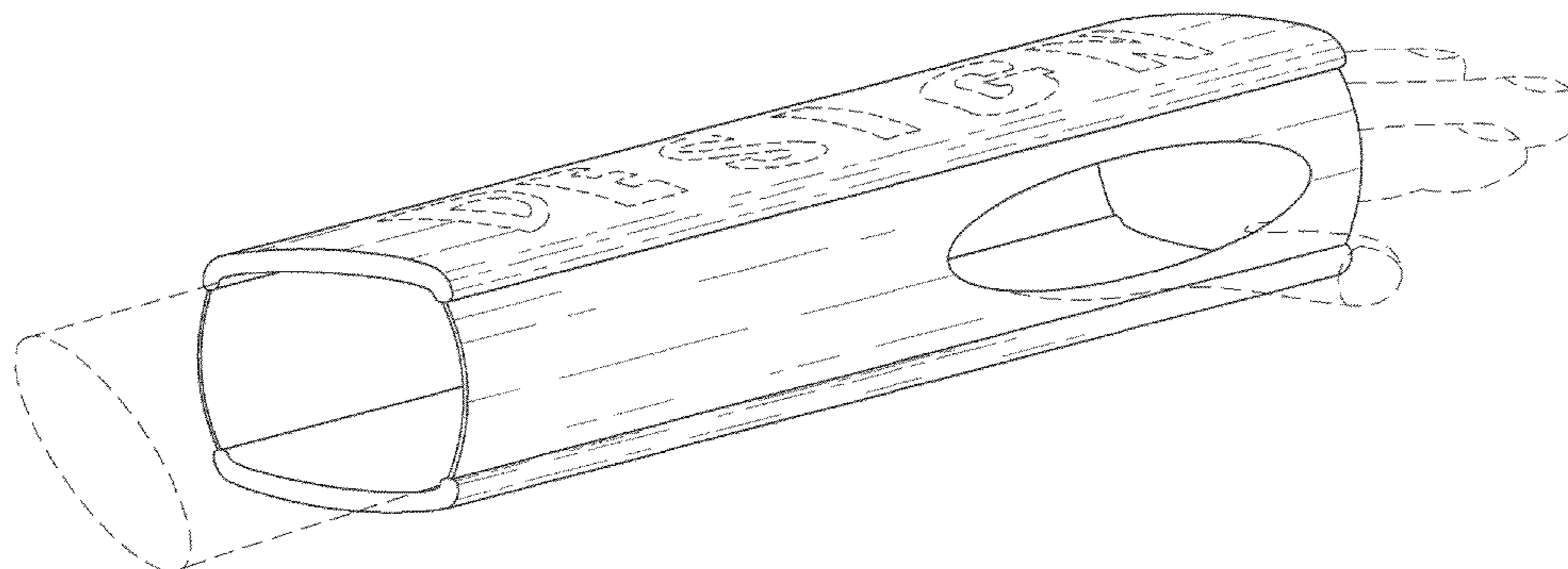
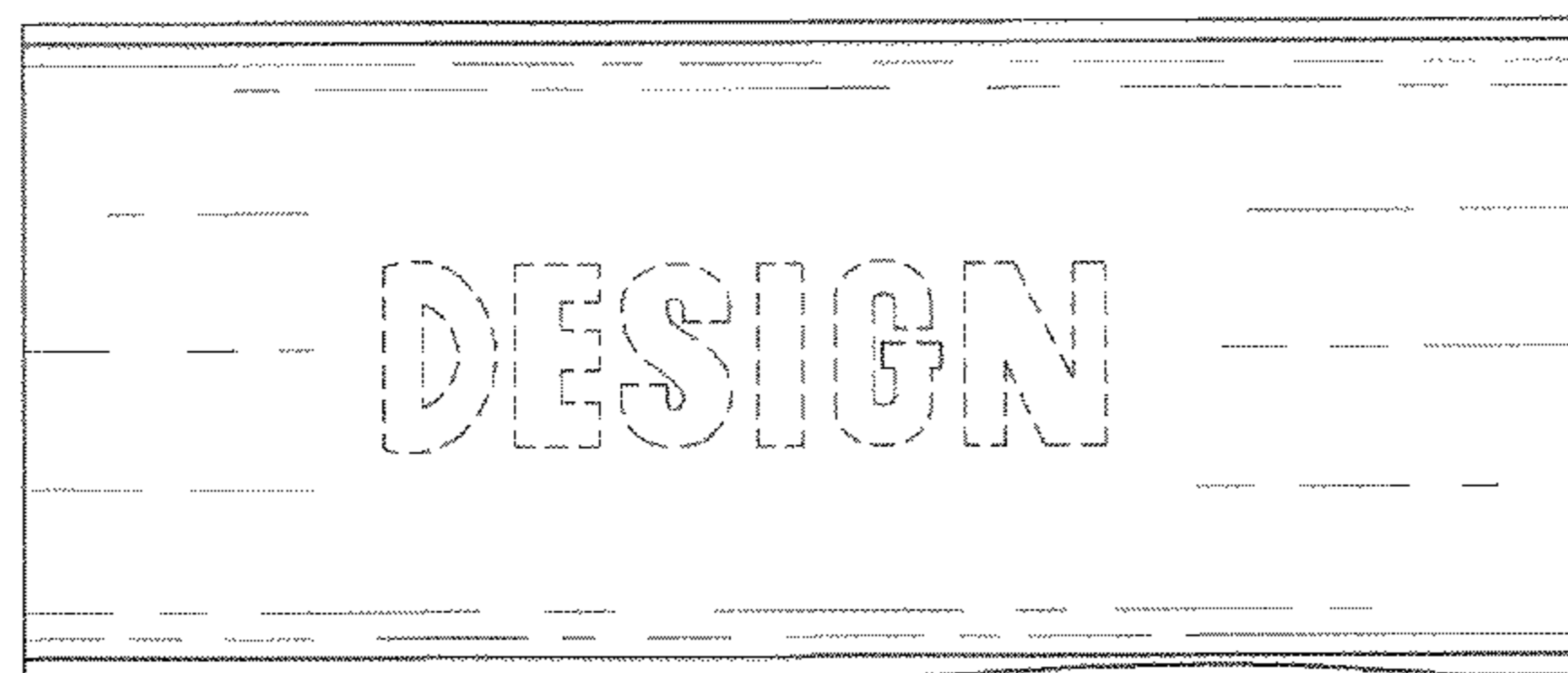
(57) **CLAIM**

The ornamental design for a decorative medical cast sleeve,  
as shown and described.

**DESCRIPTION**

FIG. 1 is a top view of a decorative medical cast sleeve.  
FIG. 2 is a bottom view of a decorative medical cast sleeve.  
FIG. 3 is a left side view of a decorative medical cast sleeve.  
FIG. 4 is a right side view of a decorative medical cast sleeve.  
FIG. 5 is a front view of a decorative medical cast sleeve.  
FIG. 6 is a rear view of a decorative medical cast sleeve.  
FIG. 7 is a perspective view of a decorative medical cast sleeve showing the top, right side and rear.  
FIG. 8 is a perspective view of a decorative medical cast sleeve applied to a left arm (shown in dashed lines) showing the top, right side and rear; and,  
FIG. 9 is a perspective view of a decorative medical cast sleeve applied to a left arm (shown in dashed lines) showing the bottom, left side and rear.  
The broken line showing of an arm in FIGS. 8 and 9 and of a design in FIGS. 1-2 and 7-9 are included for the purpose of illustrating environmental structure and form no part of the claimed design.

**1 Claim, 4 Drawing Sheets**



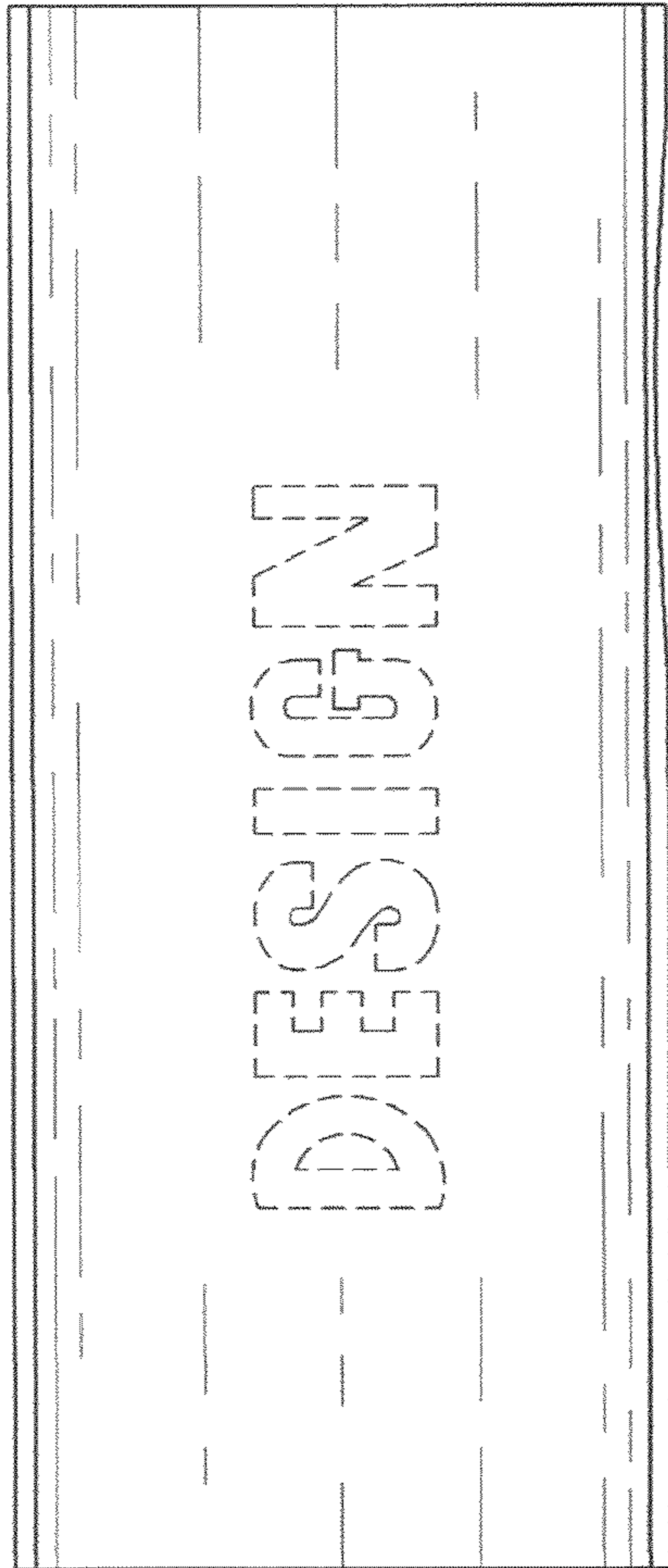


FIG. 1

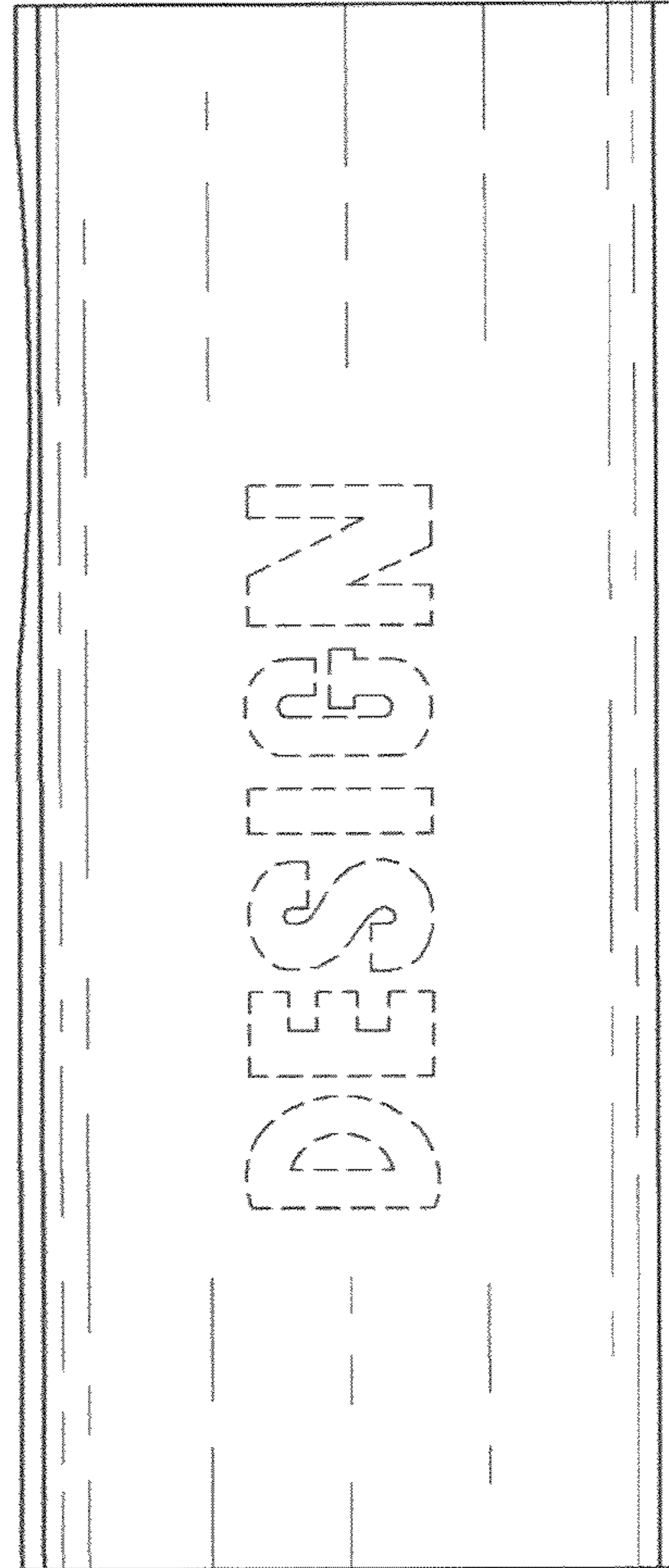


FIG. 2

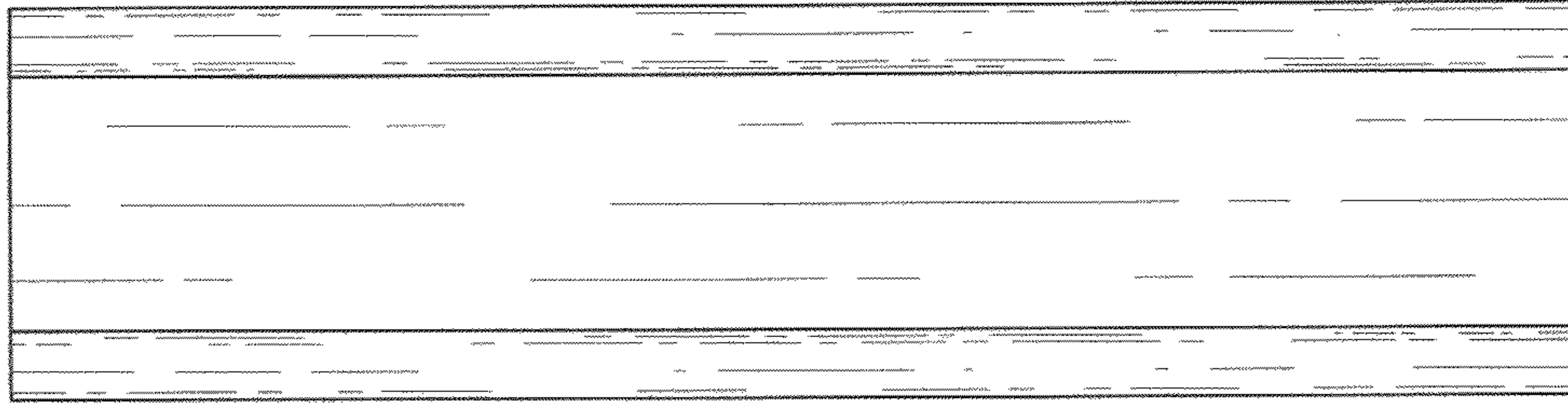


FIG. 3

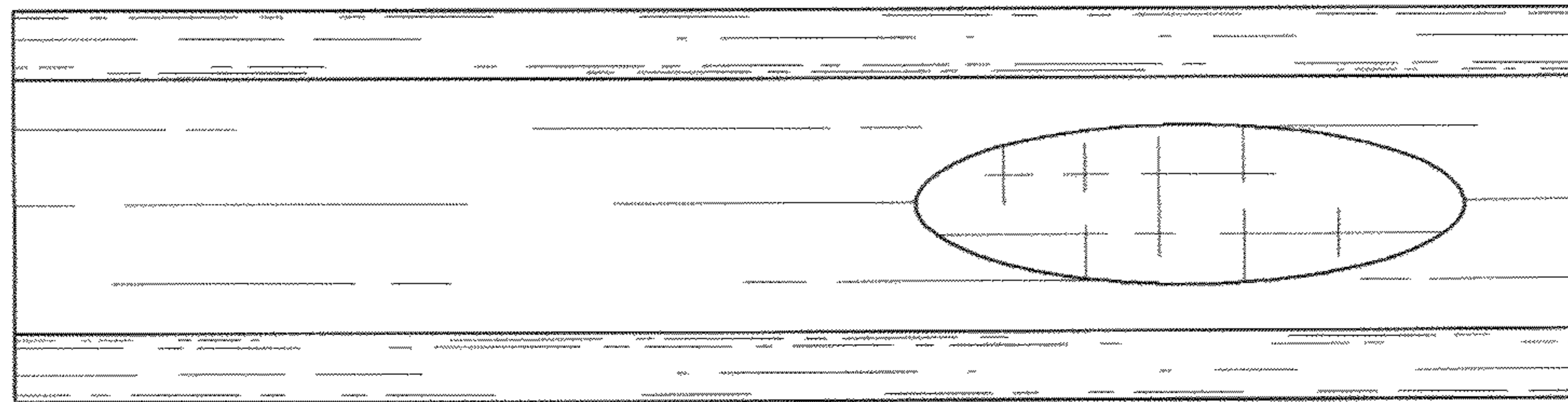


FIG. 4

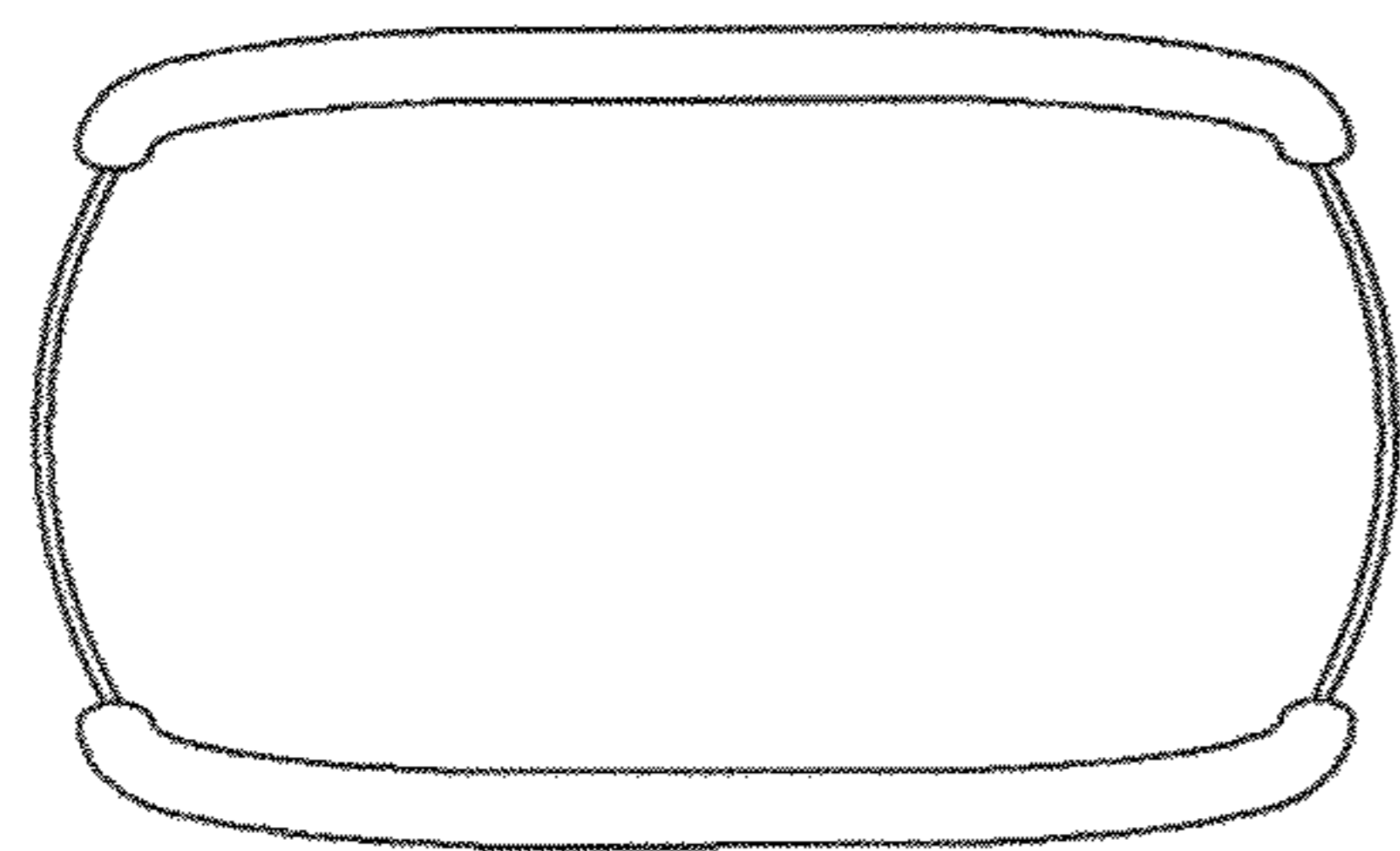


FIG. 5

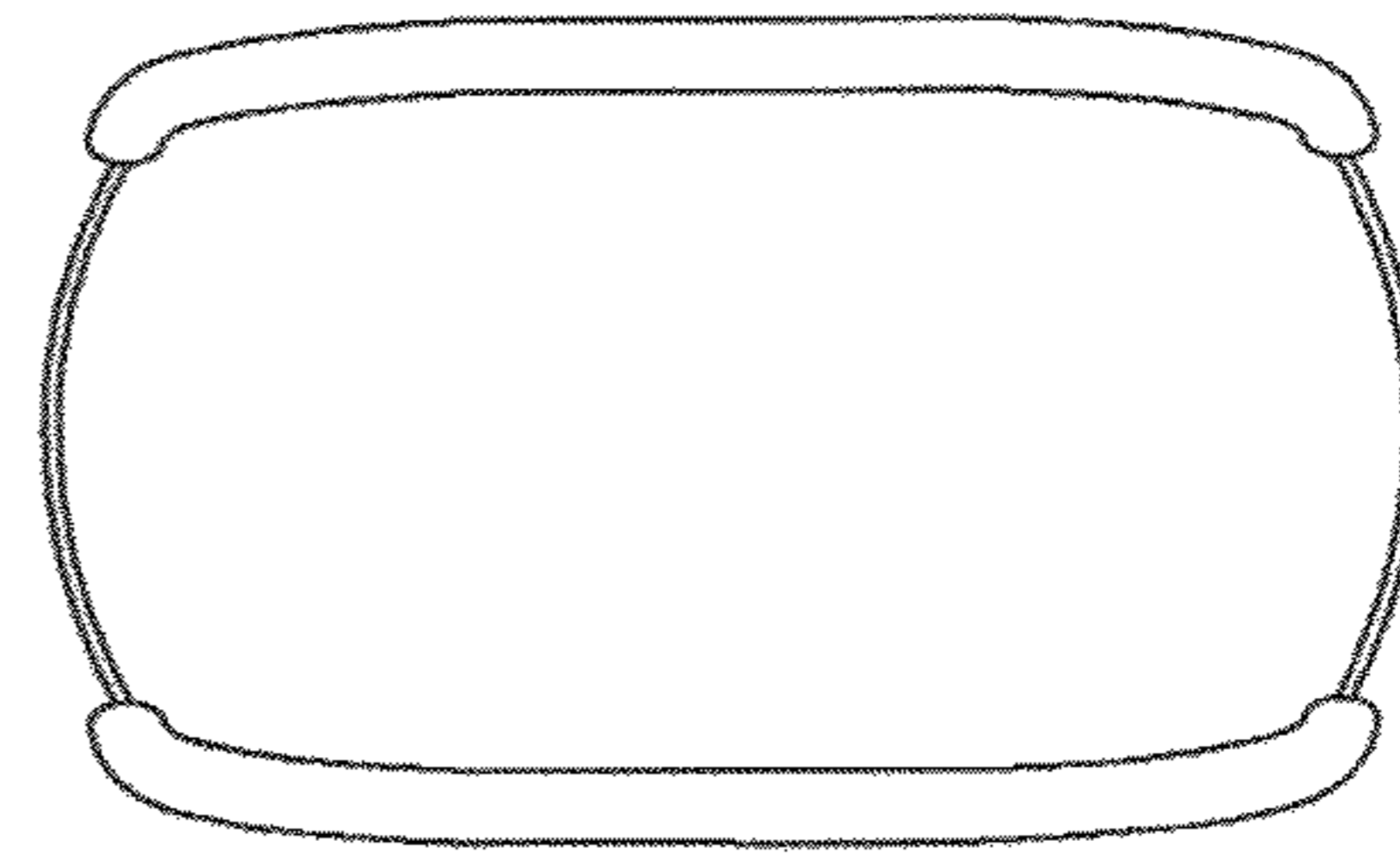


FIG. 6

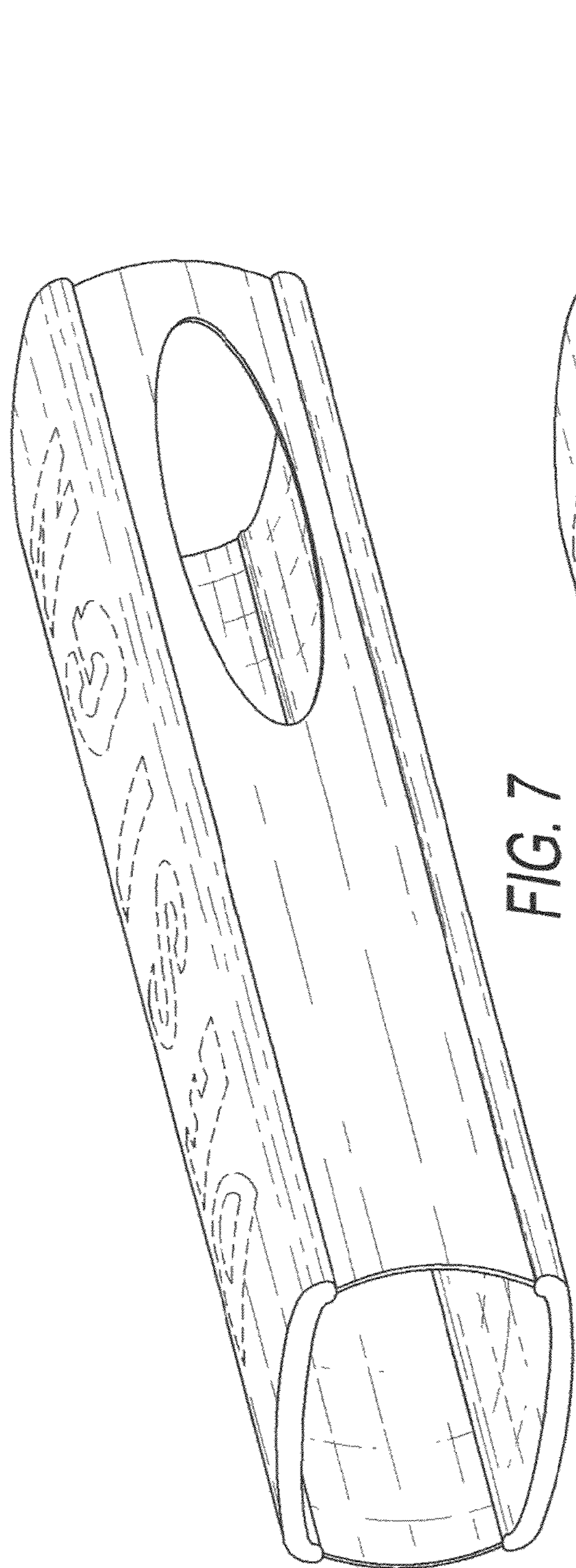


FIG. 7

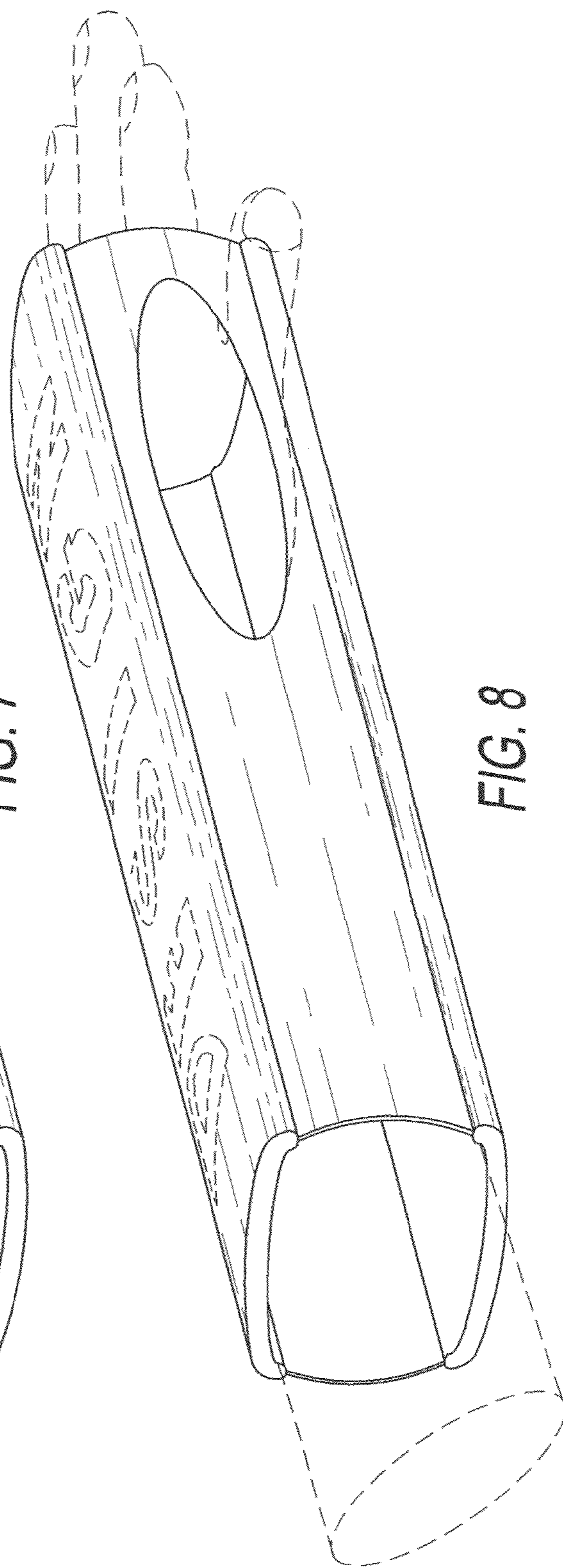


FIG. 8

