



US00D711006S

(12) **United States Design Patent**  
**Costa et al.**

(10) **Patent No.:** **US D711,006 S**  
(45) **Date of Patent:** **\*\* Aug. 12, 2014**

(54) **WOUND CLOSURE DEVICE**

(71) Applicant: **Bergen Medical Industries Corporation**, Cedar Knolls, NJ (US)

(72) Inventors: **Richard Costa**, Bedminster, NJ (US);  
**Hung Mach**, Flushing, NY (US)

(73) Assignee: **Bergen Medical Industries Corp.**, Cedar Knolls, NJ (US)

(\*\*) Term: **14 Years**

(21) Appl. No.: **29/455,909**

(22) Filed: **May 25, 2013**

(51) **LOC (10) Cl.** ..... **24-04**

(52) **U.S. Cl.**  
USPC ..... **D24/189**

(58) **Field of Classification Search**  
USPC ..... D24/127–131, 112–114, 133, 186, 189;  
606/181, 185; 604/180, 232, 187, 158,  
604/164.08, 192, 263, 163, 181, 184, 198,  
604/227; 600/101, 139, 143; 128/207.17,  
128/912, 200.24, 207.14, 207.15; D19/69;  
602/54

See application file for complete search history.

(56) **References Cited**

**U.S. PATENT DOCUMENTS**

2,095,894	A *	10/1937	Tarr	156/527
3,274,038	A *	9/1966	Karn	156/247
3,283,886	A *	11/1966	Addis et al.	242/588.6
4,447,482	A	5/1984	Heinzelman et al.	
D310,104	S *	8/1990	Uchida	D19/67
D370,692	S *	6/1996	Crawford et al.	D19/69
D418,165	S *	12/1999	Katami	D19/69

D438,567	S *	3/2001	Van Den Berg	D19/69
6,684,924	B1 *	2/2004	Kelders et al.	156/523
6,761,200	B2 *	7/2004	Shinya	156/577
6,763,988	B2 *	7/2004	Huang	225/43
7,021,356	B2 *	4/2006	Kelders et al.	156/523
D570,227	S	6/2008	Goodman et al.	
D580,497	S *	11/2008	Dureiko et al.	D19/69
7,748,564	B2 *	7/2010	Kinugasa et al.	220/833
8,006,734	B2	8/2011	Hajny et al.	
8,573,278	B1 *	11/2013	Cahilly et al.	156/577
2004/0154750	A1 *	8/2004	Chandaria	156/510
2006/0201984	A1 *	9/2006	Namekawa et al.	225/6
2008/0302487	A1	12/2008	Goodman et al.	

\* cited by examiner

*Primary Examiner* — Michael A Pratt

*Assistant Examiner* — Michelle E Wilson

(74) *Attorney, Agent, or Firm* — Mitchell J. Mehlman, Esq.

(57) **CLAIM**

The ornamental design for a wound closure device, as shown and described.

**DESCRIPTION**

FIG. 1 is a perspective view of a wound closure device showing our new design;  
FIG. 2 is another perspective view thereof;  
FIG. 3 is a front view thereof;  
FIG. 4 is a rear view thereof;  
FIG. 5 is a right side view wherein the left side is a mirror image thereof;  
FIG. 6 is a top plan view thereof; and,  
FIG. 7 is a bottom plan view thereof.

Background features may be shown in broken lines for illustrative purposes only and form no part of the claimed design. The broken lines shown in FIGS. 2, 3, and 7 form no part of the claimed design.

**1 Claim, 3 Drawing Sheets**

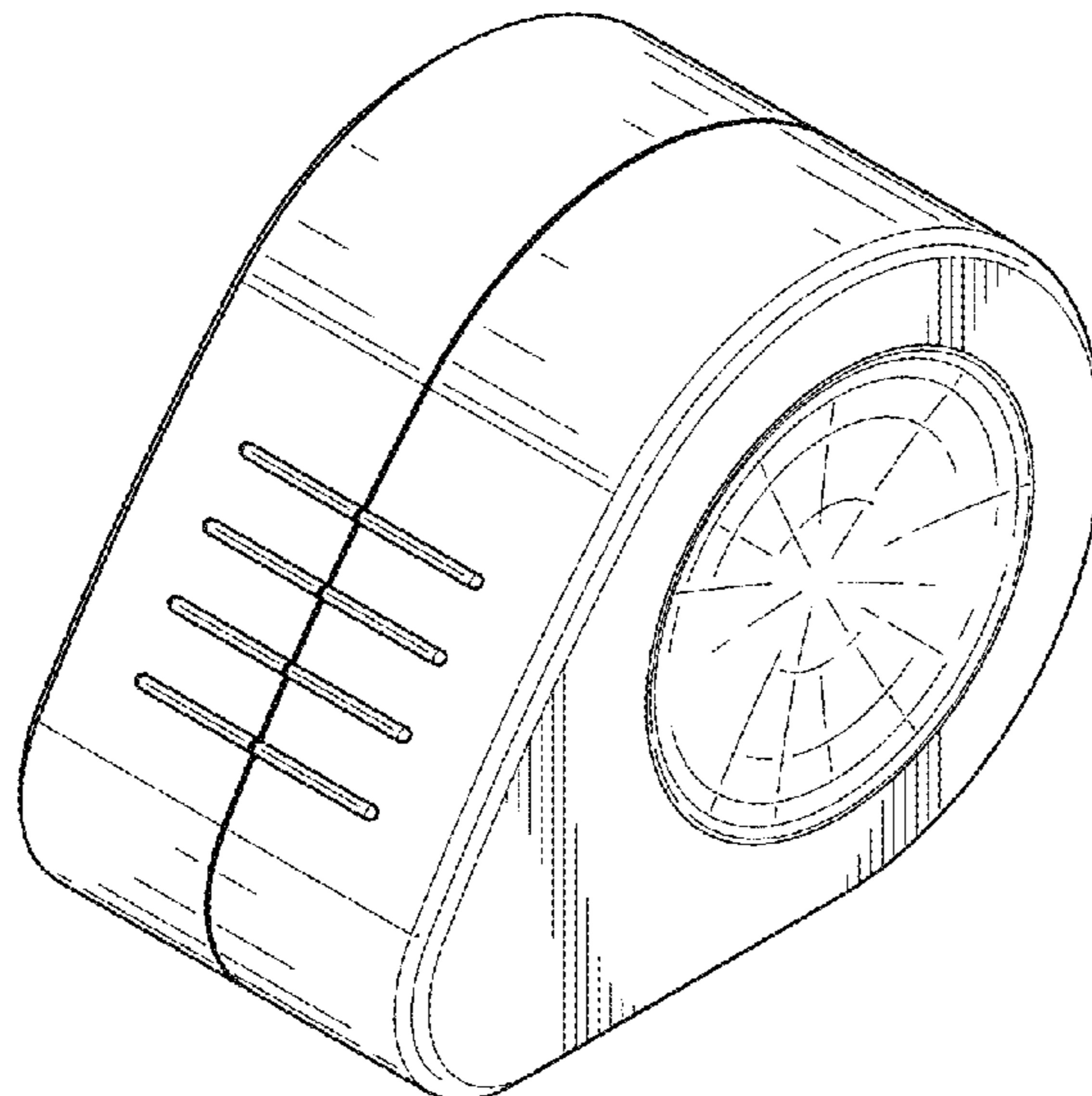


FIG. 1

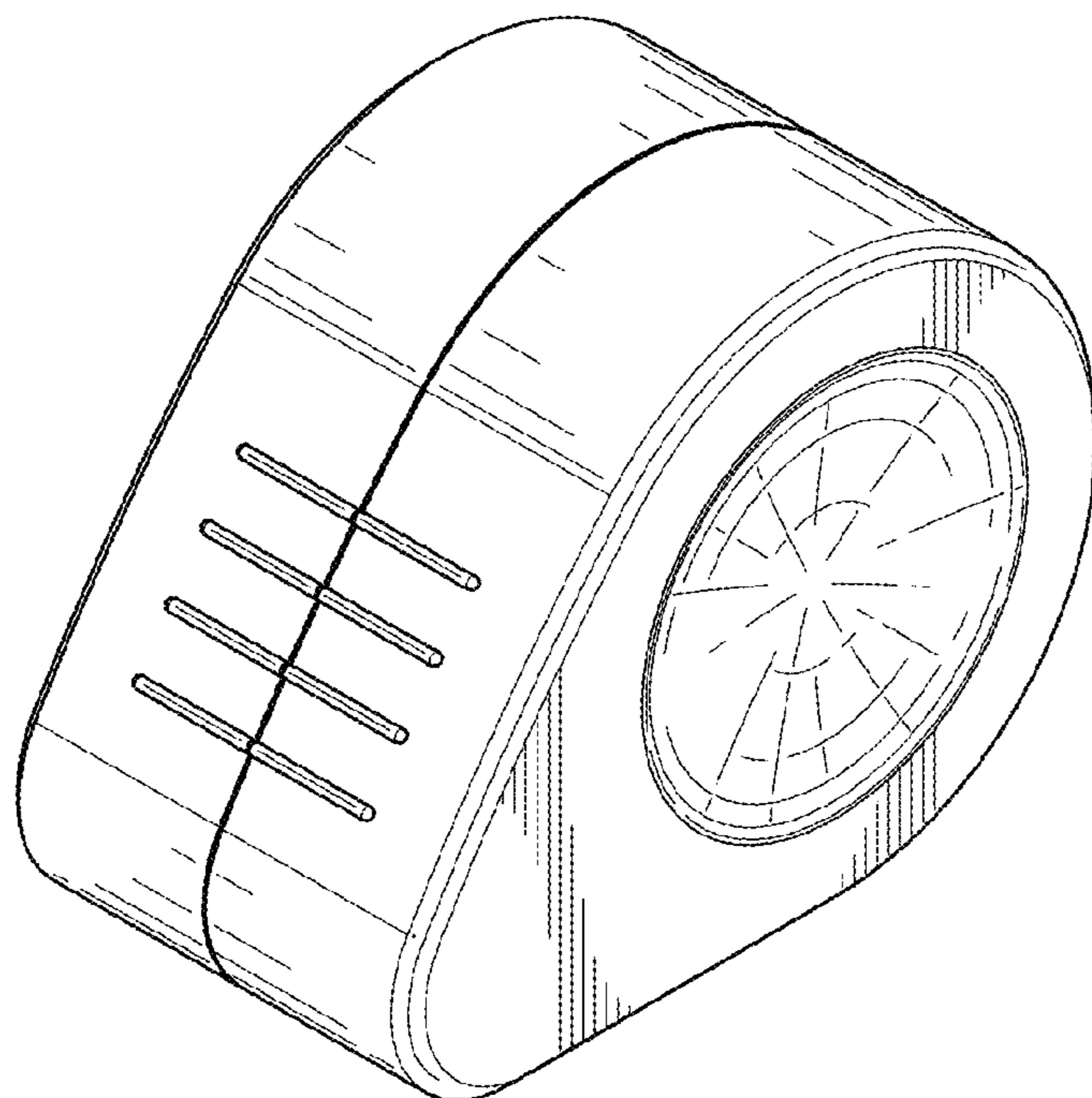


FIG. 2

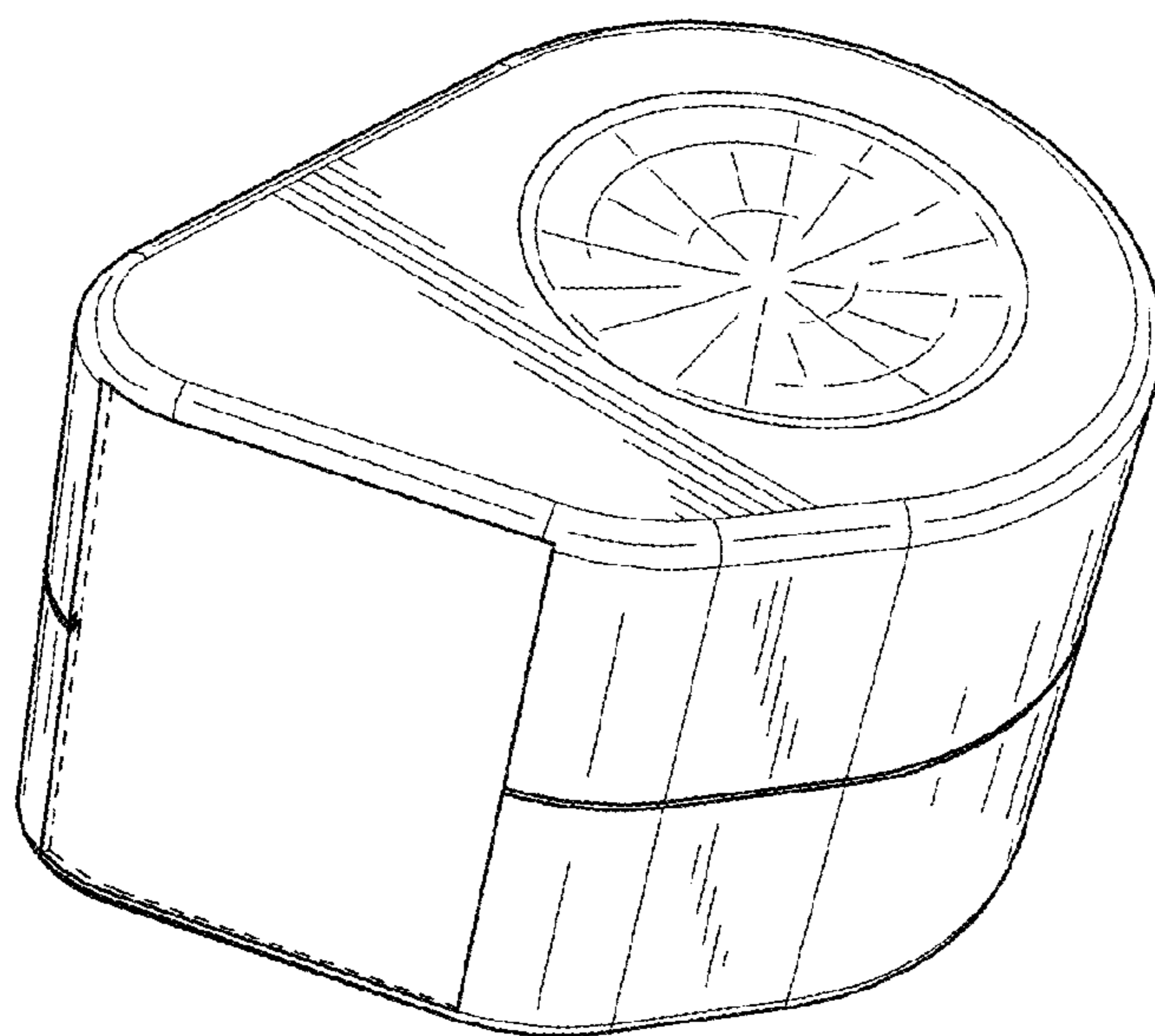


FIG. 3

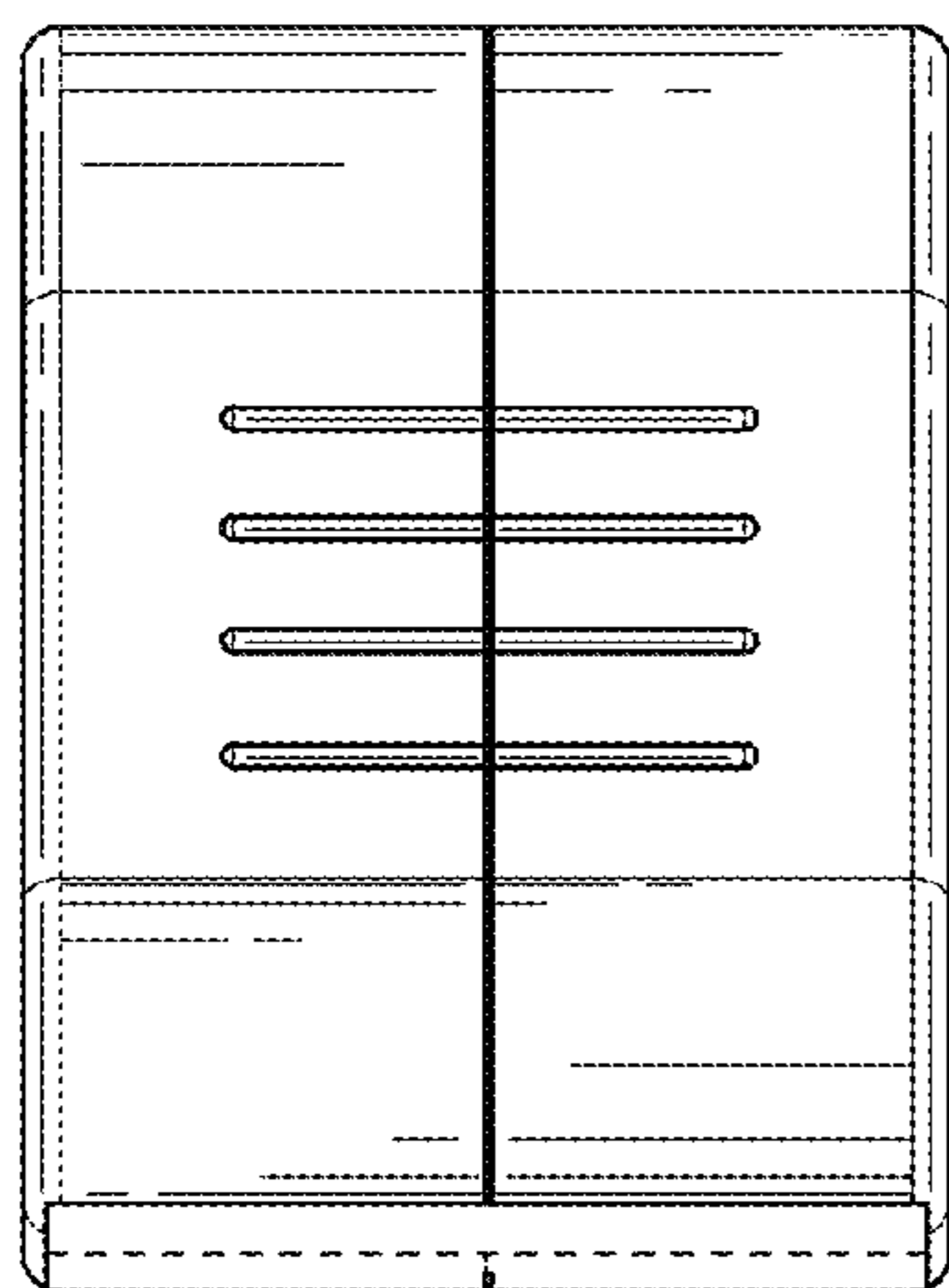


FIG. 4

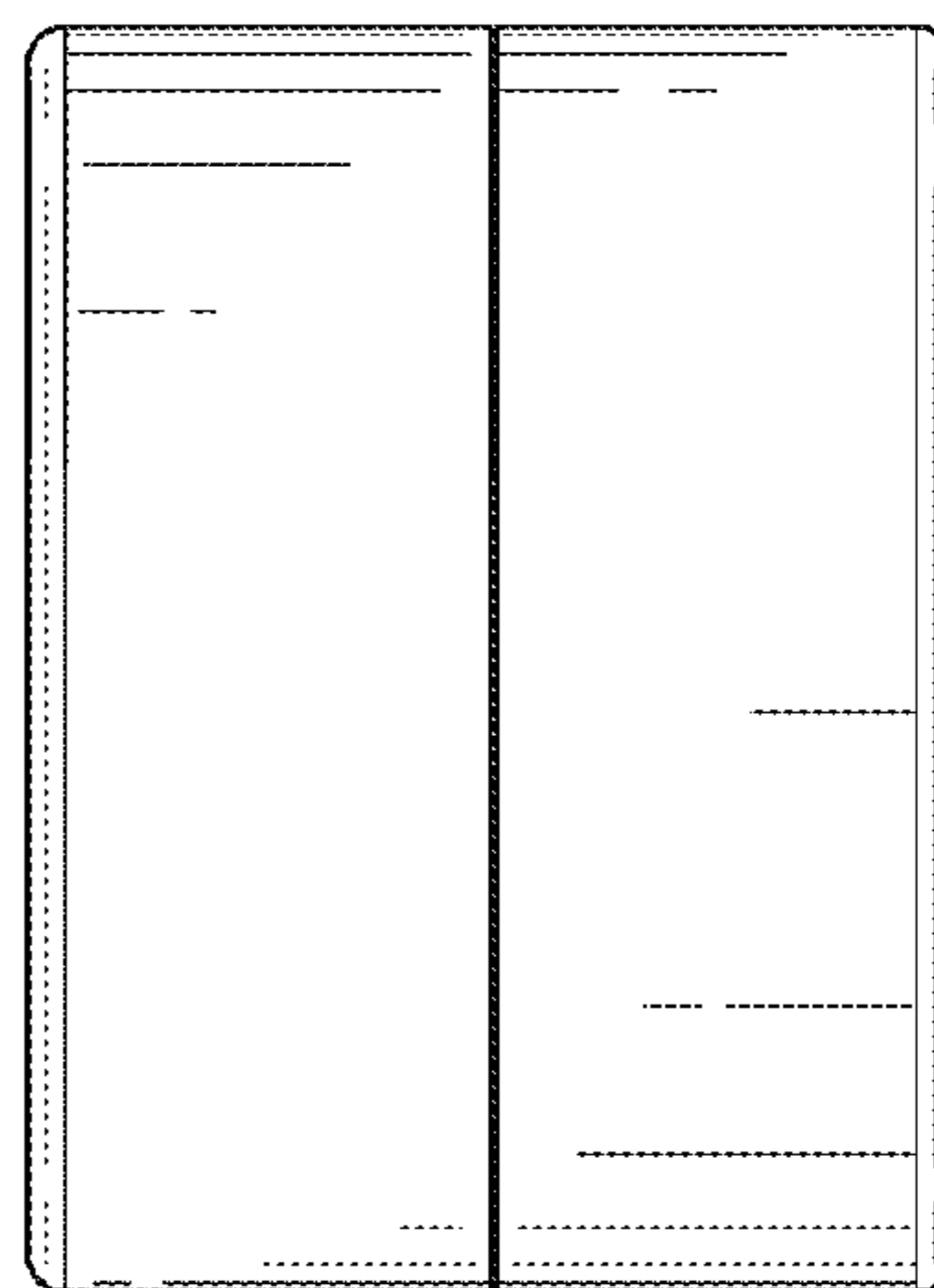


FIG. 5

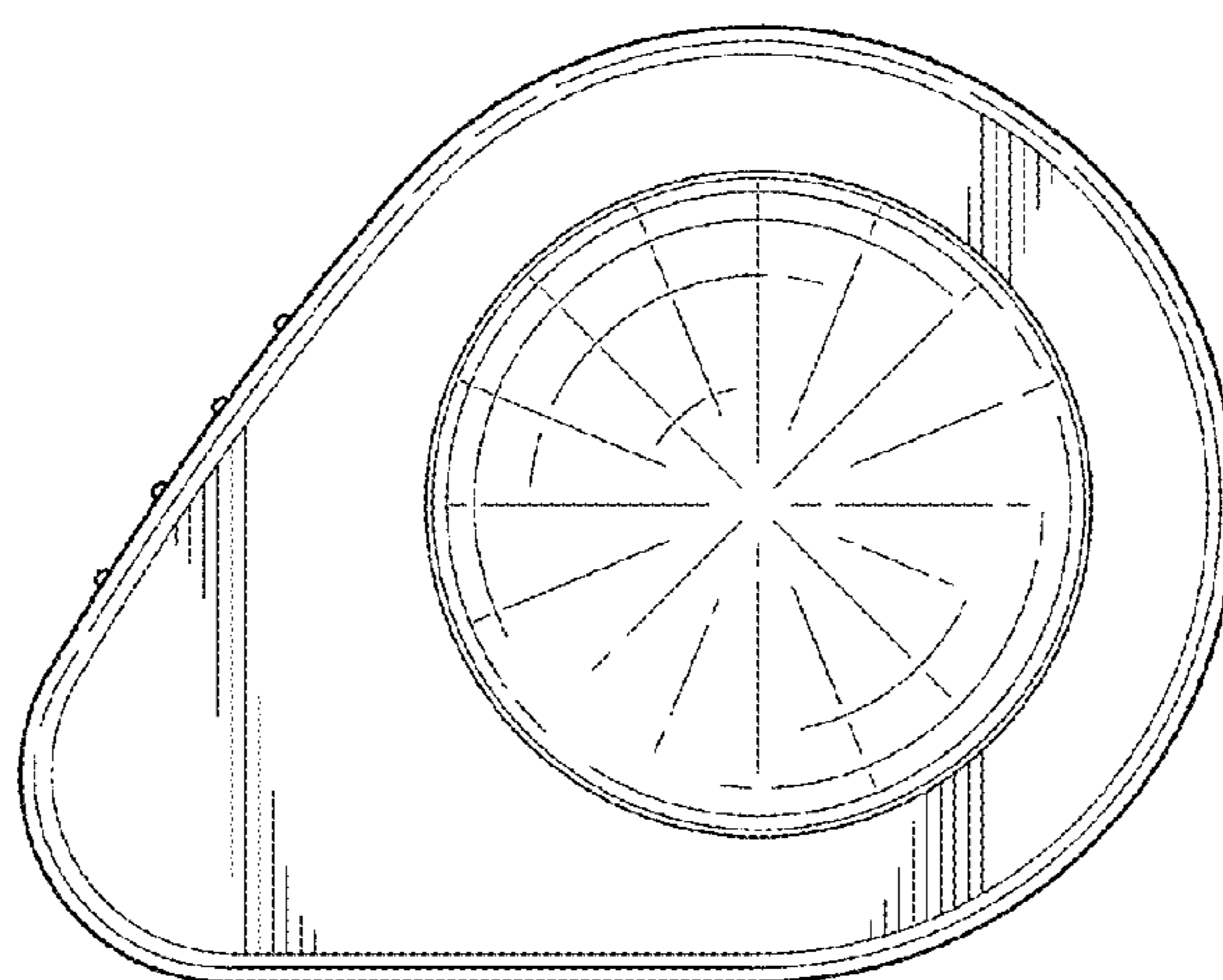


FIG. 6

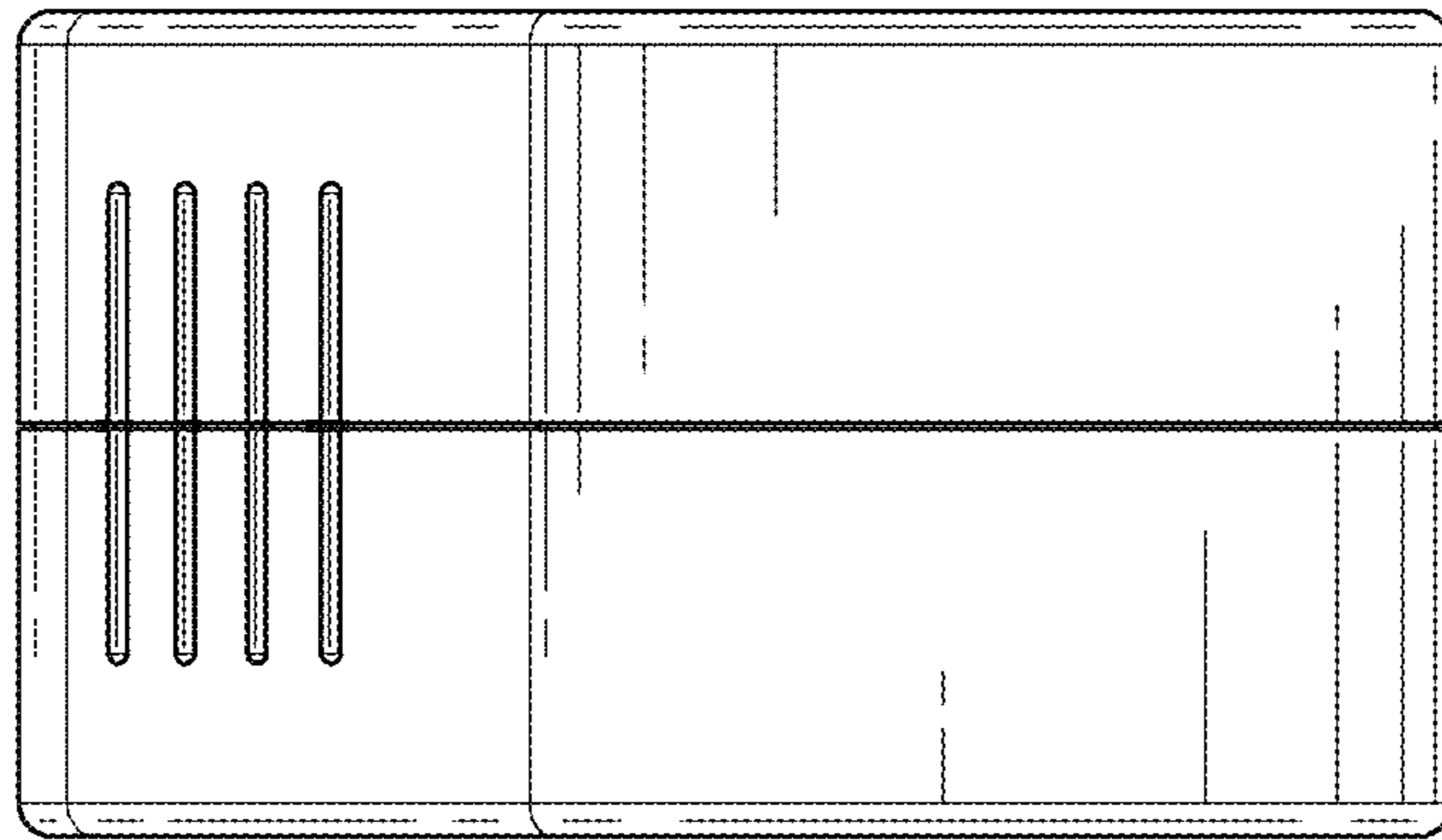


FIG. 7

