



US00D711005S

(12) **United States Design Patent**
Purdy et al.

(10) **Patent No.:** **US D711,005 S**

(45) **Date of Patent:** **** Aug. 12, 2014**

(54) **PATIENT MONITOR**

(71) Applicant: **Board of Regents of the University of Texas System**, Austin, TX (US)

(72) Inventors: **Phillip Douglas Purdy**, Maypearl, TX (US); **Ronald Bruce Jennings**, Plano, TX (US)

(**) Term: **14 Years**

(21) Appl. No.: **29/461,117**

(22) Filed: **Jul. 18, 2013**

(51) **LOC (10) Cl.** **24-01**

(52) **U.S. Cl.**

USPC **D24/186**

(58) **Field of Classification Search**

USPC D24/107, 158, 163–165, 167–169, 170, D24/186–187; D13/101, 106, 108, 162; D14/46, 125; D10/46, 75, 81; 422/300, 422/301, 368, 372, 481, 529, 544, 554, 422/561; 600/46, 75, 81

See application file for complete search history.

(56) **References Cited**

U.S. PATENT DOCUMENTS

D375,792 S	*	11/1996	Hillman et al.	D24/169
D414,870 S	*	10/1999	Saltzstein et al.	D24/186
D547,454 S	*	7/2007	Hsieh	D24/186
D558,351 S	*	12/2007	Diener et al.	D24/186
D590,509 S	*	4/2009	Costa	D24/186
D598,113 S	*	8/2009	Flaction et al.	D24/187
D606,659 S	*	12/2009	Kiani et al.	D24/186
D608,452 S	*	1/2010	Huang	D24/186
D618,355 S	*	6/2010	Delaey	D24/158
D621,515 S	*	8/2010	Chua et al.	D24/186

D650,484 S	*	12/2011	Shinohara et al.	D24/186
D652,522 S	*	1/2012	Koester	D24/186
D659,836 S	*	5/2012	Bensch et al.	D24/167

* cited by examiner

Primary Examiner — T. Chase Nelson

Assistant Examiner — Mark Cavanna

(74) *Attorney, Agent, or Firm* — David W. Carstens; Carstens & Cahoon, LLP

(57) **CLAIM**

The ornamental design for an patient monitor, as shown and described.

DESCRIPTION

FIG. 1 is a perspective view of the patient monitor of the present invention with the carrying handle hidden from the view, and the mounting mechanism in phantom;

FIG. 2 is a front elevation view thereof with the mounting mechanism in phantom;

FIG. 3 is a rear elevation view thereof with the mounting mechanism in phantom;

FIG. 4 is a left side elevation view thereof with the carrying handle in place, and the mounting mechanism in phantom;

FIG. 5 is a left side elevation view thereof with the carrying handle displaced, and the mounting mechanism in phantom;

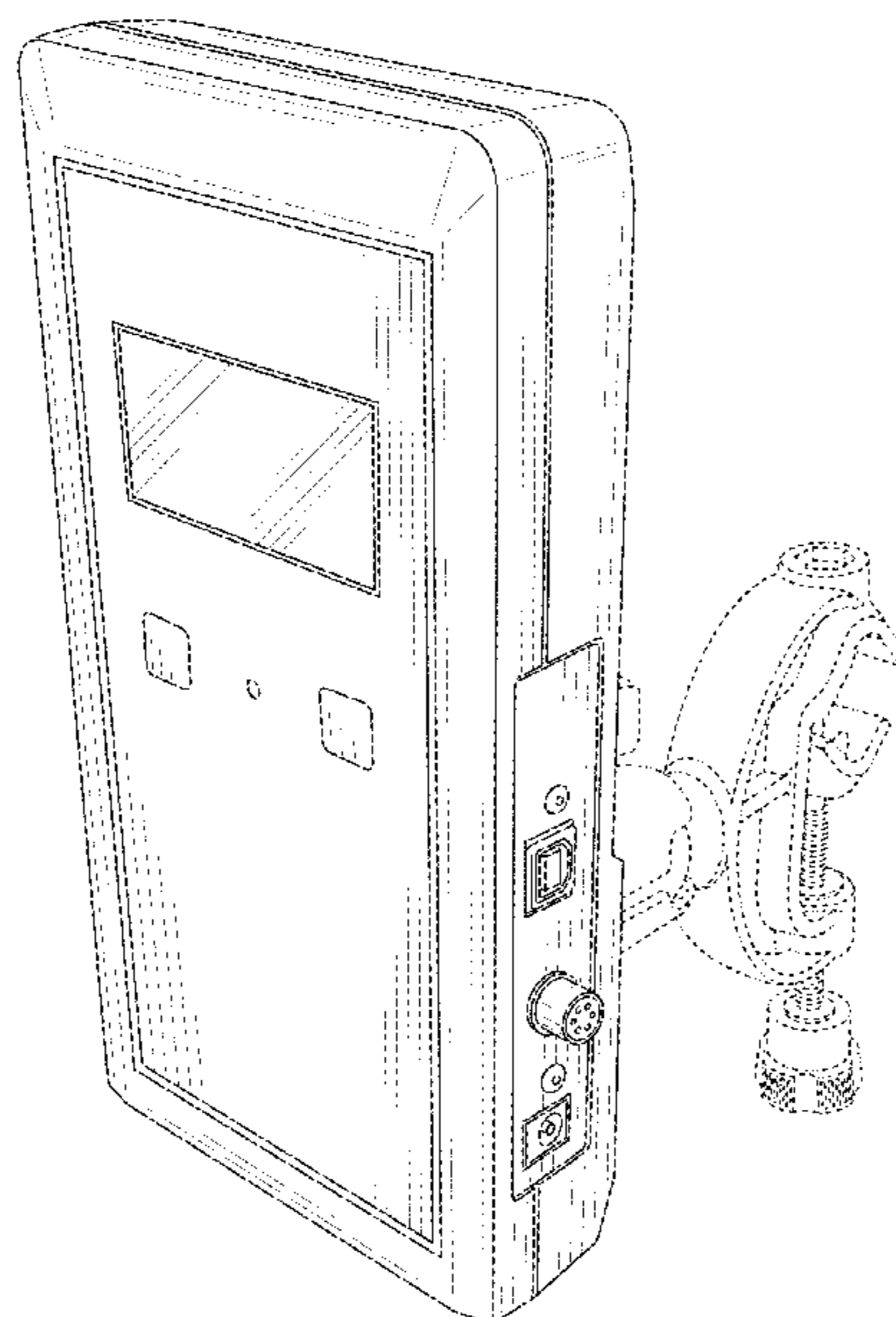
FIG. 6 is a right side elevation view thereof with the mounting mechanism in phantom;

FIG. 7 is a top plan view thereof with the mounting mechanism in phantom; and,

FIG. 8 is a bottom plan view thereof with the mounting mechanism in phantom.

The phantom parts in the views are for illustrative purposes only and form no part of the claimed design.

1 Claim, 8 Drawing Sheets



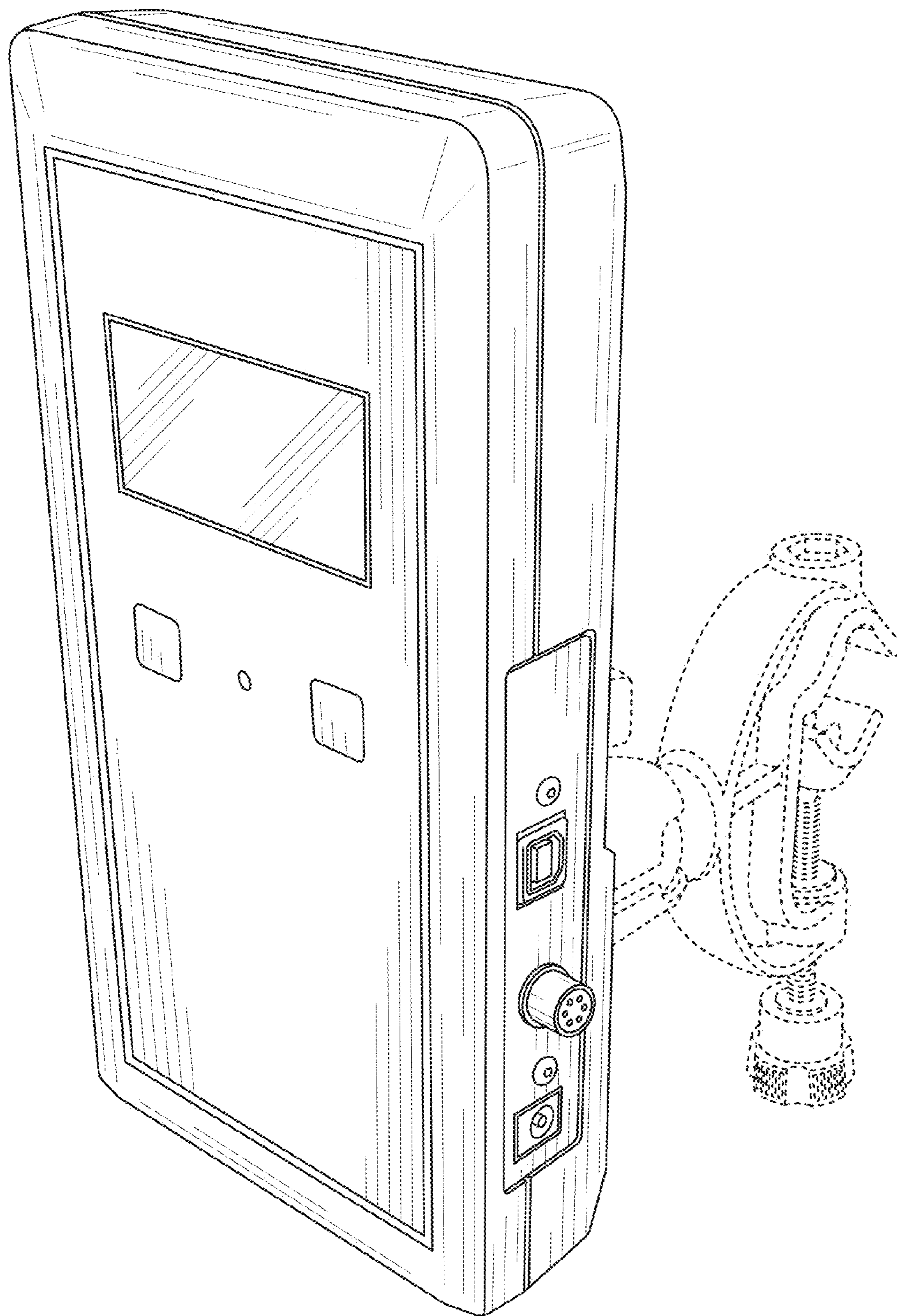


FIG. 1

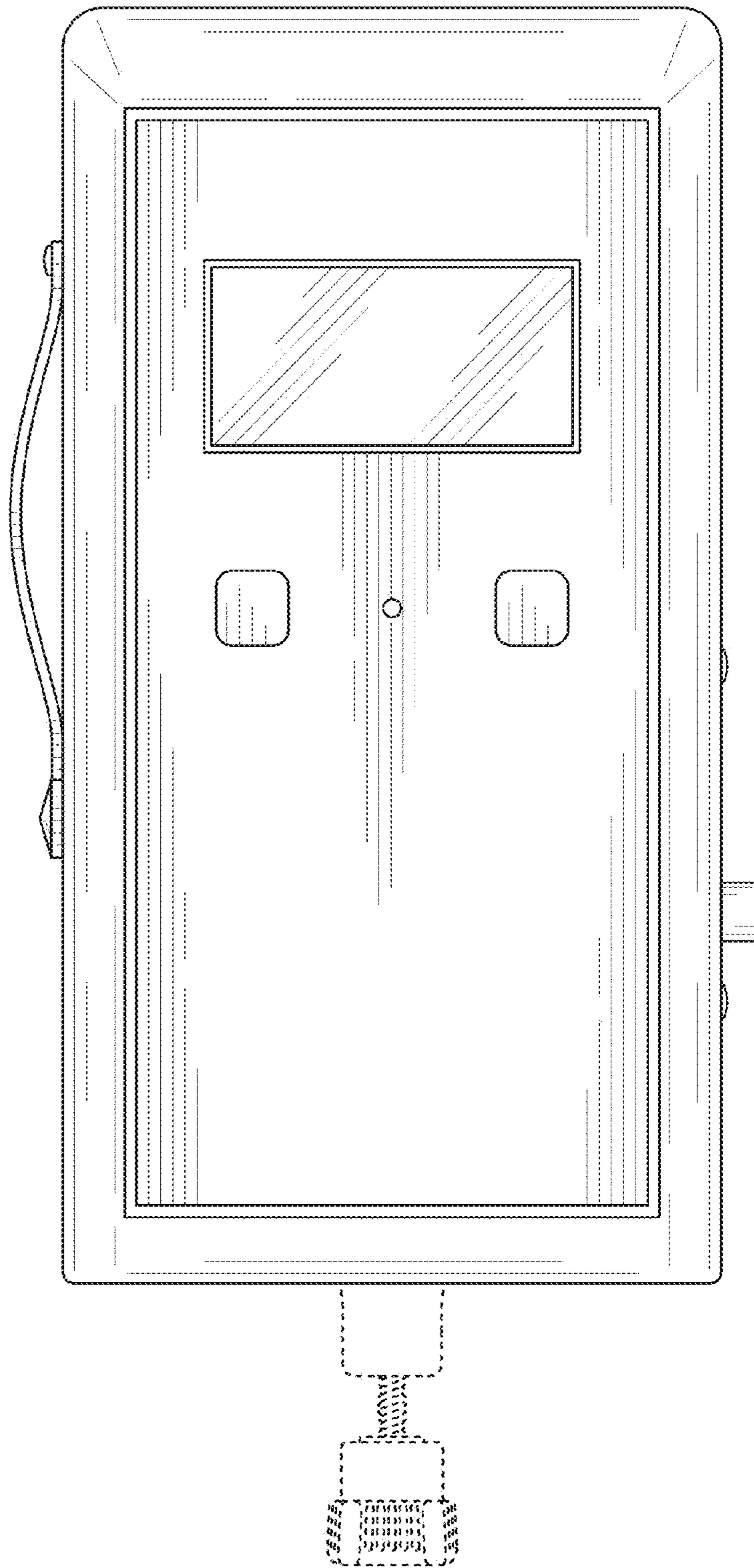


FIG. 2

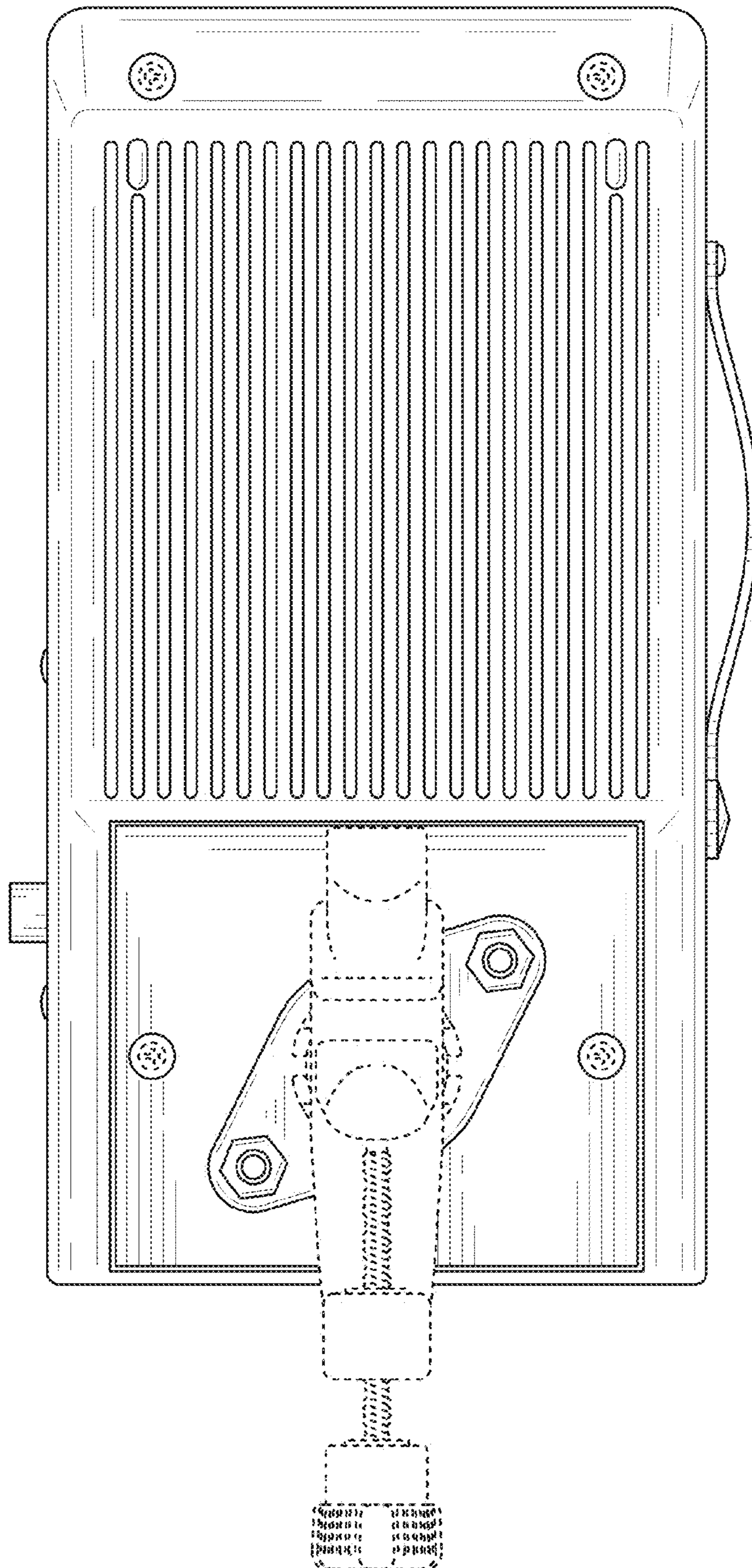


FIG. 3

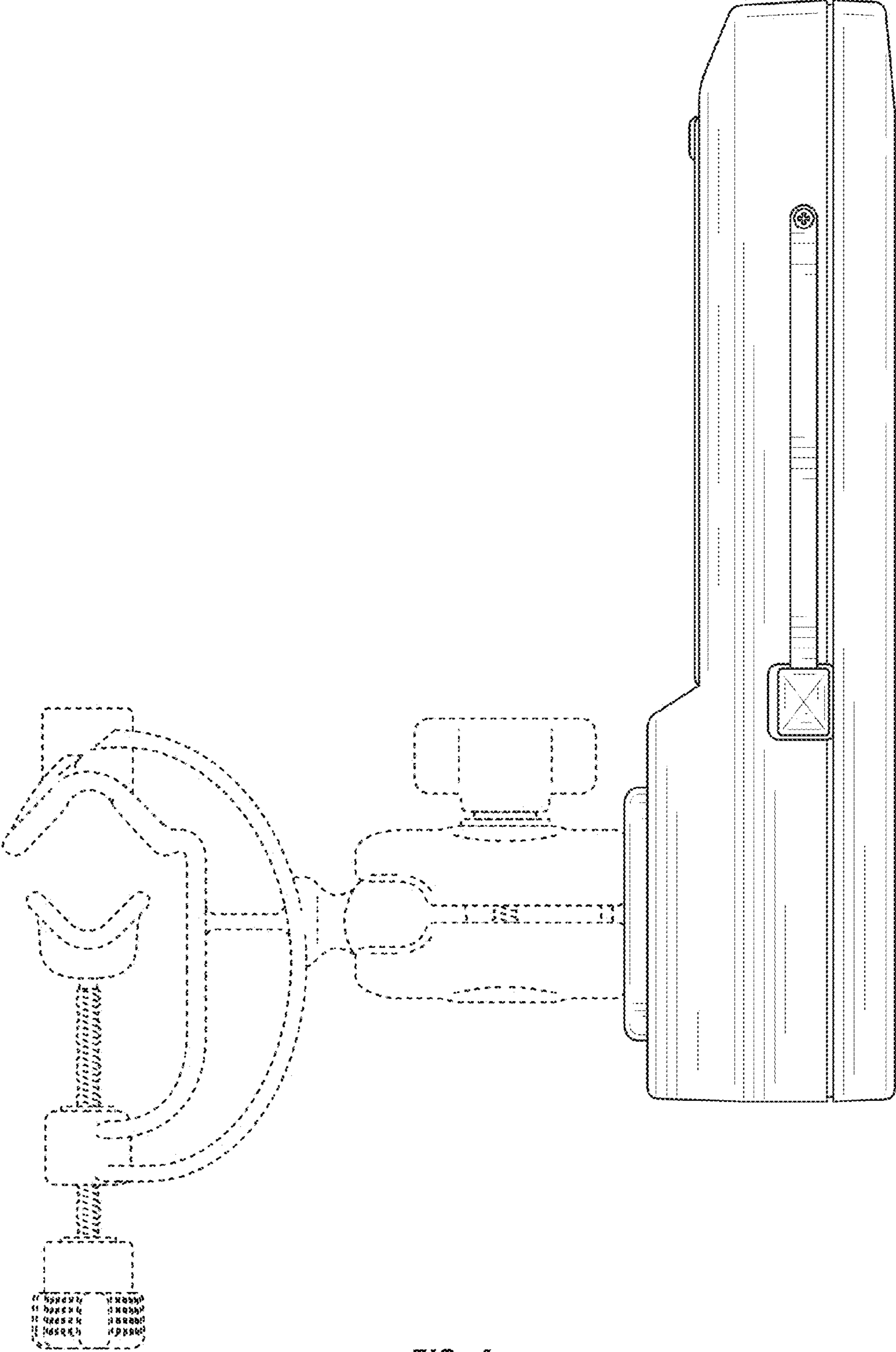


FIG. 4

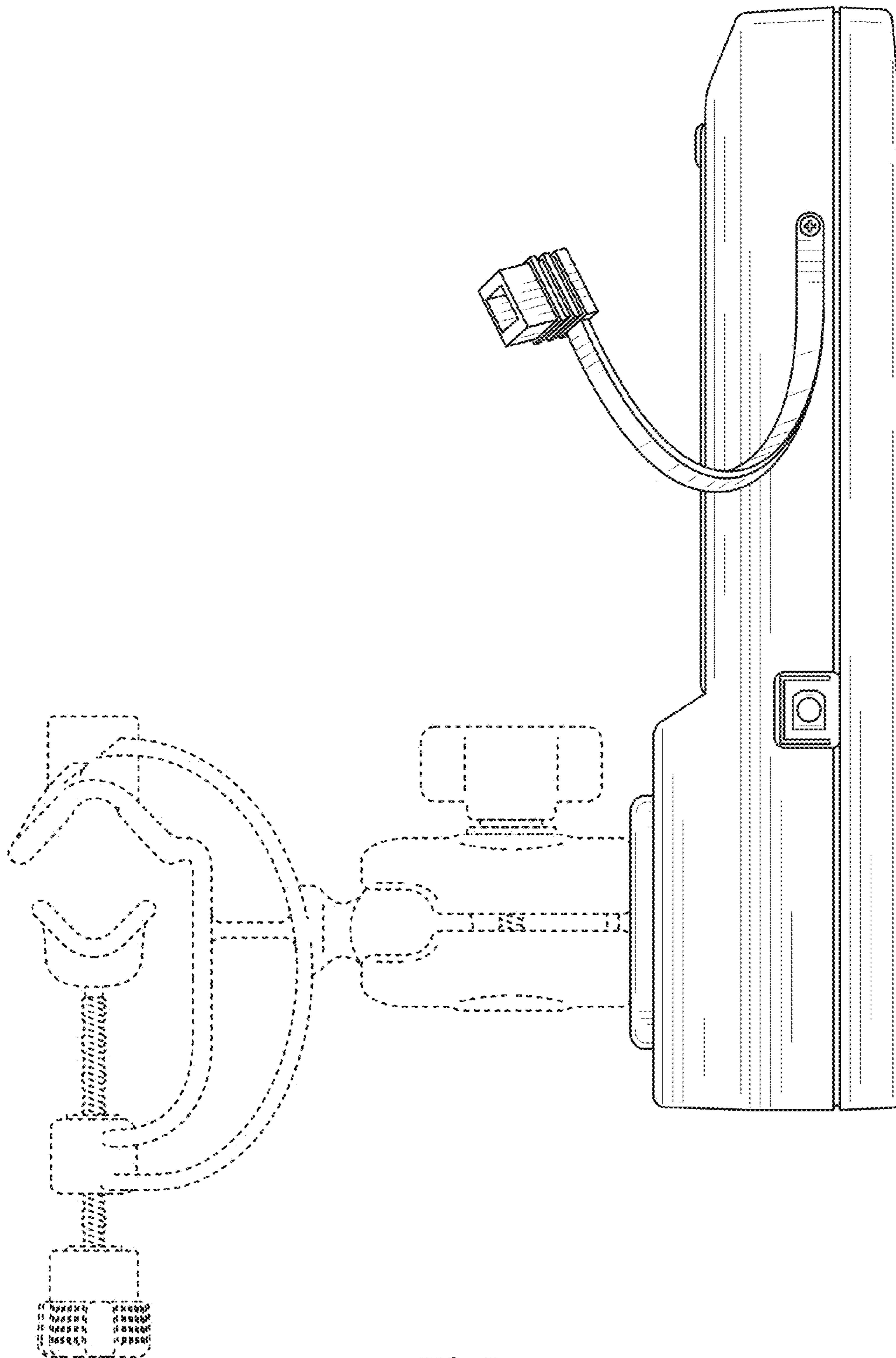


FIG. 5

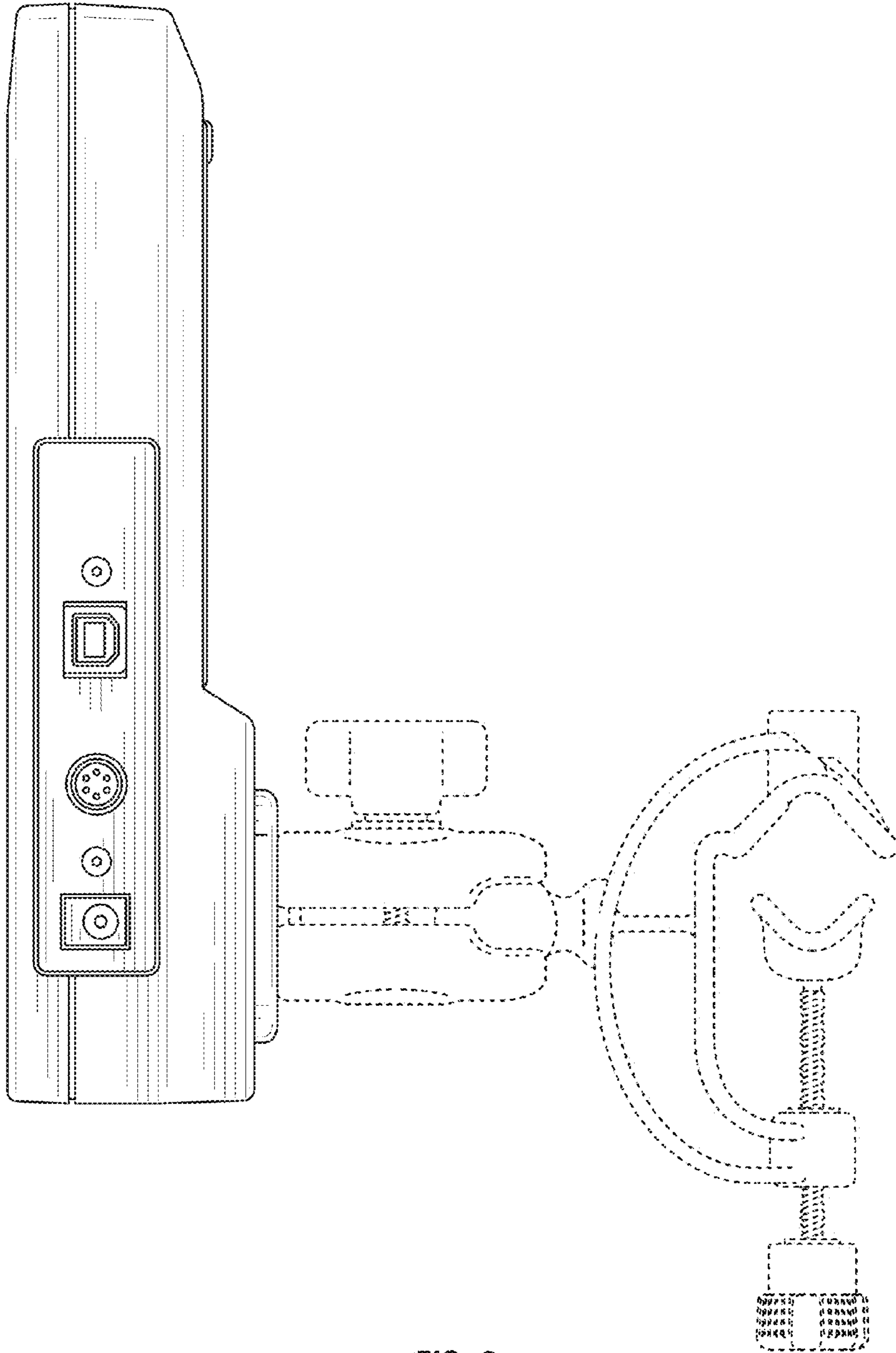


FIG. 6

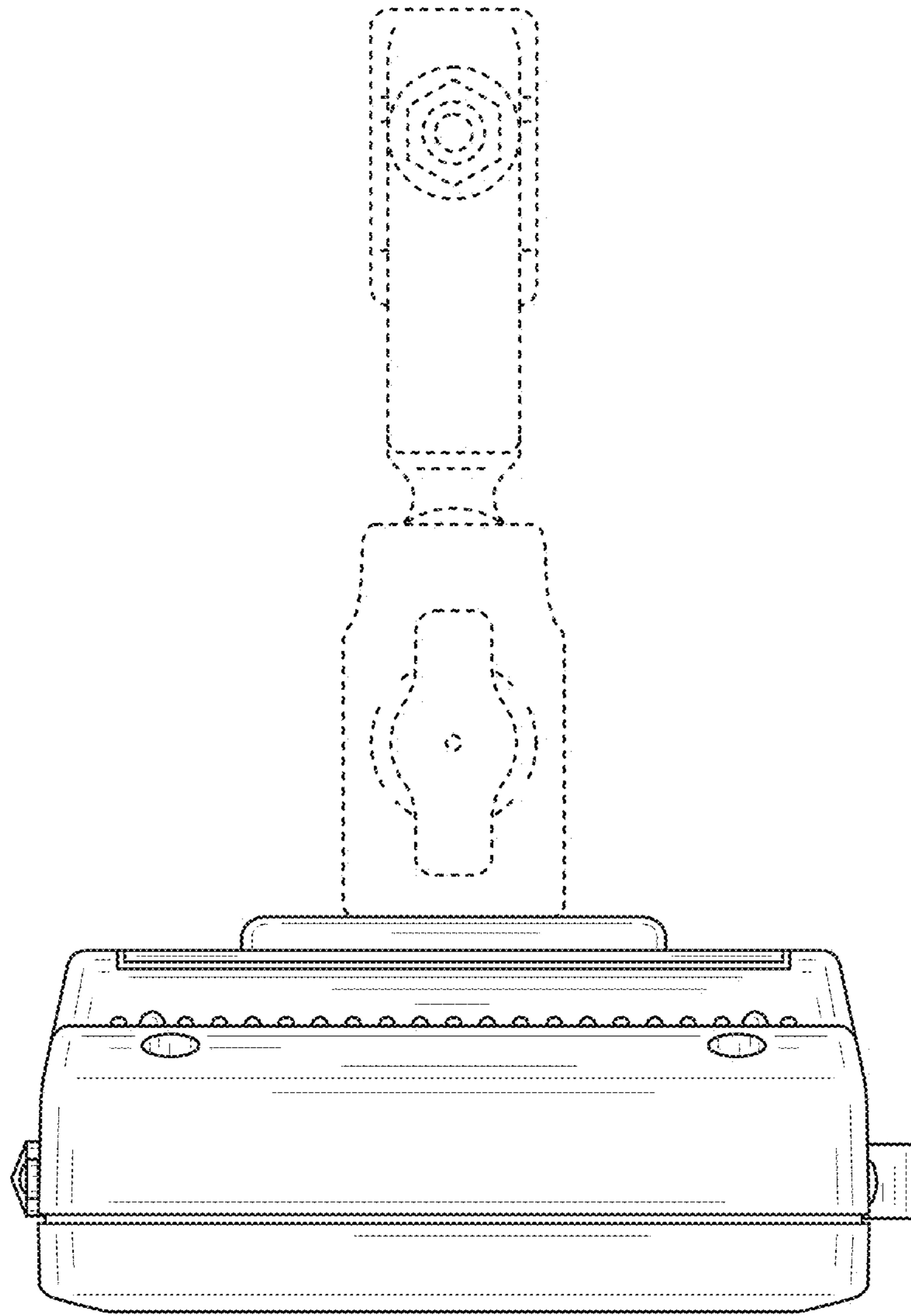


FIG. 7

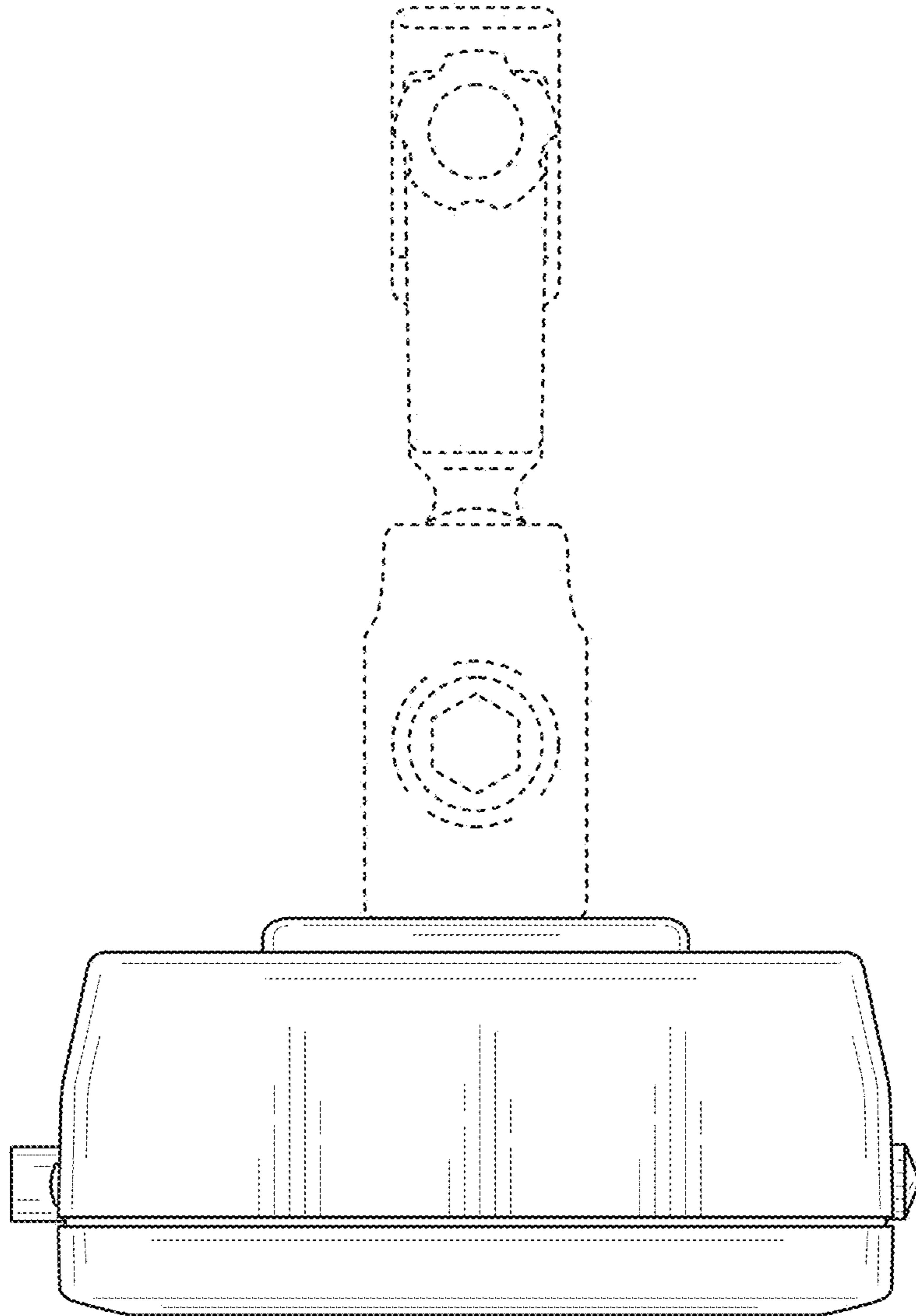


FIG. 8