



US00D711003S

(12) **United States Design Patent**  
**Chen et al.**

(10) **Patent No.:** **US D711,003 S**

(45) **Date of Patent:** **\*\* Aug. 12, 2014**

(54) **PATIENT MONITOR**

(71) Applicant: **Shenzhen Mindray Bio-Medical Electronics Co., Ltd., Shenzhen (CN)**

(72) Inventors: **Junyu Chen, Shenzhen (CN); Haibo Chai, Shenzhen (CN); Qian Lei, Shenzhen (CN)**

(73) Assignee: **Shenzhen Mindray Bio-Medical Electronics Co., Ltd., Shenzhen (CN)**

(\*\*) Term: **14 Years**

(21) Appl. No.: **29/460,136**

(22) Filed: **Jul. 8, 2013**

(51) **LOC (10) Cl.** ..... **24-01**

(52) **U.S. Cl.**  
USPC ..... **D24/186**

(58) **Field of Classification Search**  
USPC ..... D24/107, 111, 164-165, 167-169,  
D24/185-186, 160; 600/301, 481, 483-485,  
600/509, 513, 519, 544; 128/900; D10/81,  
D10/104; D14/381, 126, 371  
See application file for complete search history.

(56) **References Cited**

**U.S. PATENT DOCUMENTS**

D303,255 S *	9/1989	Bratasevec	.....	D14/371
D393,072 S *	3/1998	Rogler	.....	D24/186
D395,513 S *	6/1998	Rogler	.....	D24/186
D398,293 S *	9/1998	Lindblom	.....	D14/381
D475,137 S *	5/2003	Manke et al.	.....	D24/165
D491,270 S *	6/2004	Barker	.....	D24/186
D512,151 S *	11/2005	Ward et al.	.....	D24/111
D536,794 S *	2/2007	Knieriem et al.	.....	D24/186
D536,795 S *	2/2007	Knieriem et al.	.....	D24/186

D549,831 S *	8/2007	Ward et al.	.....	D24/186
D552,741 S *	10/2007	Zhou et al.	.....	D24/186
D562,456 S *	2/2008	Scruggs et al.	.....	D24/160
D592,754 S *	5/2009	Koike et al.	.....	D24/186
D600,814 S *	9/2009	Lathrop et al.	.....	D24/186
D621,511 S *	8/2010	Lathrop et al.	.....	D24/167
D624,654 S *	9/2010	Shimizu	.....	D24/186
D632,397 S *	2/2011	Edwards et al.	.....	D24/186
D635,681 S *	4/2011	Edwards et al.	.....	D24/186
D643,126 S *	8/2011	Barker et al.	.....	D24/186
D697,214 S *	1/2014	Rosenfeldt et al.	.....	D24/186

\* cited by examiner

*Primary Examiner* — T. Chase Nelson

*Assistant Examiner* — Mark Cavanna

(74) *Attorney, Agent, or Firm* — Kory D. Christensen; Stoel Rives LLP

(57) **CLAIM**

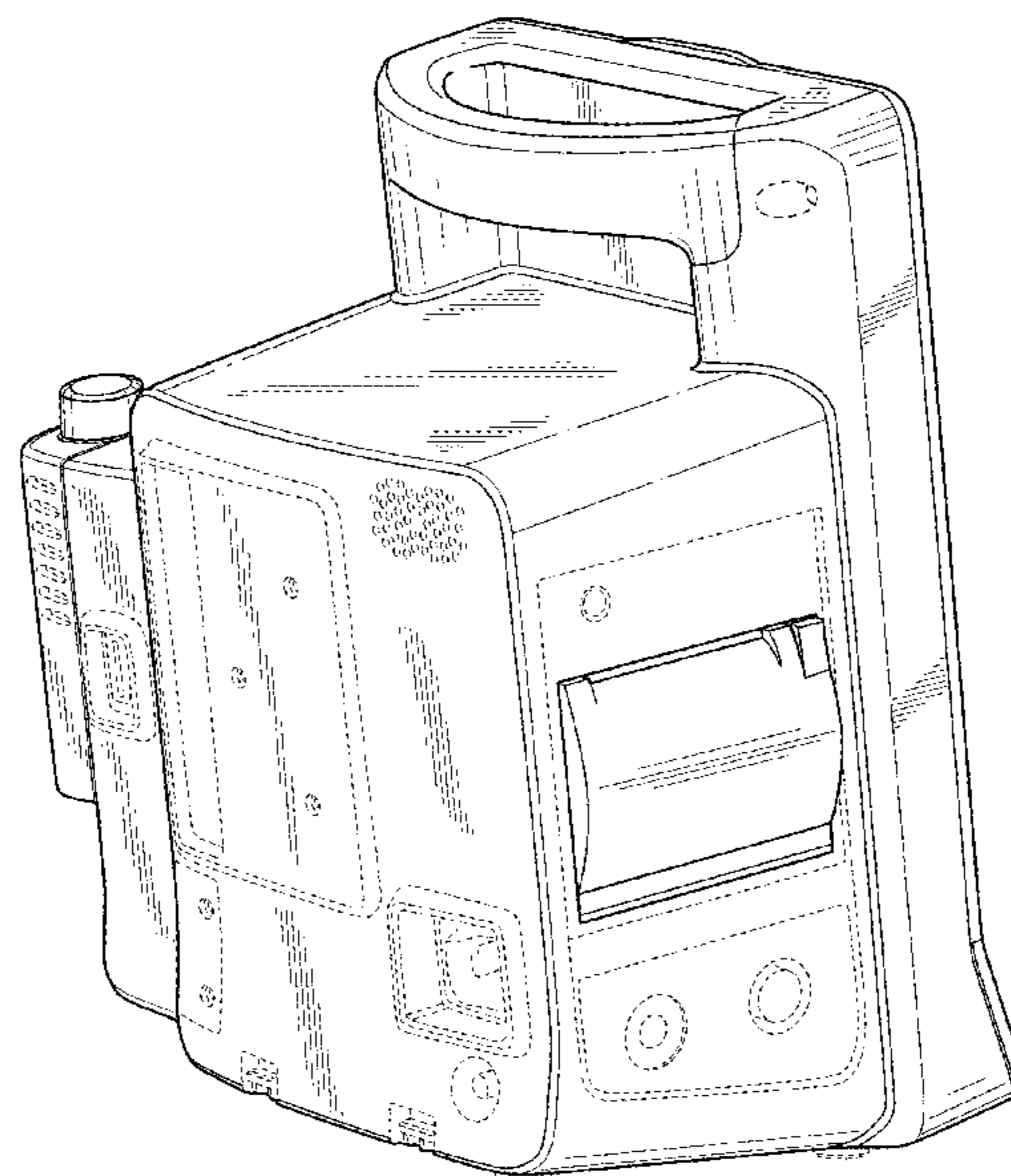
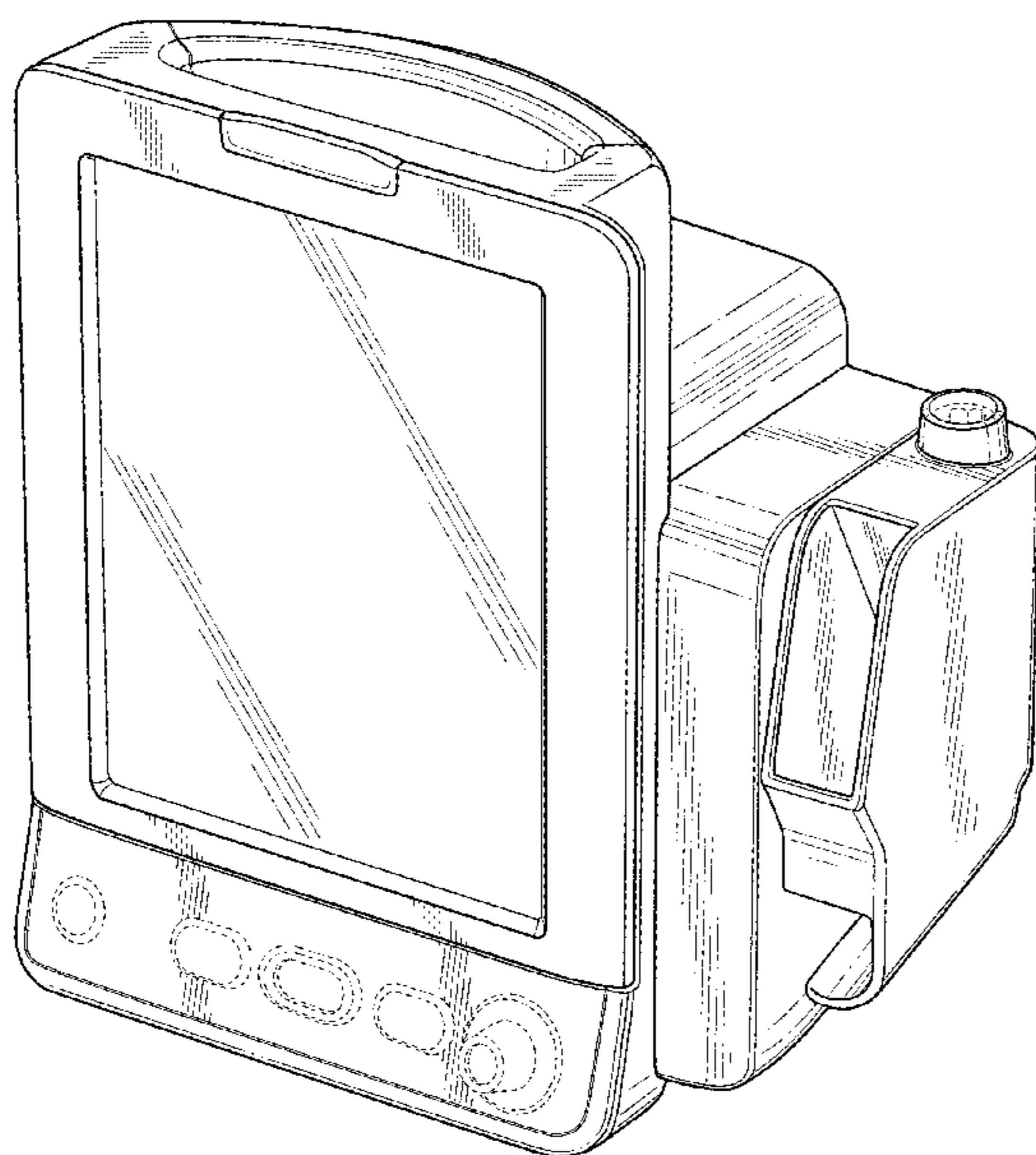
The ornamental design for a patient monitor, as shown and described.

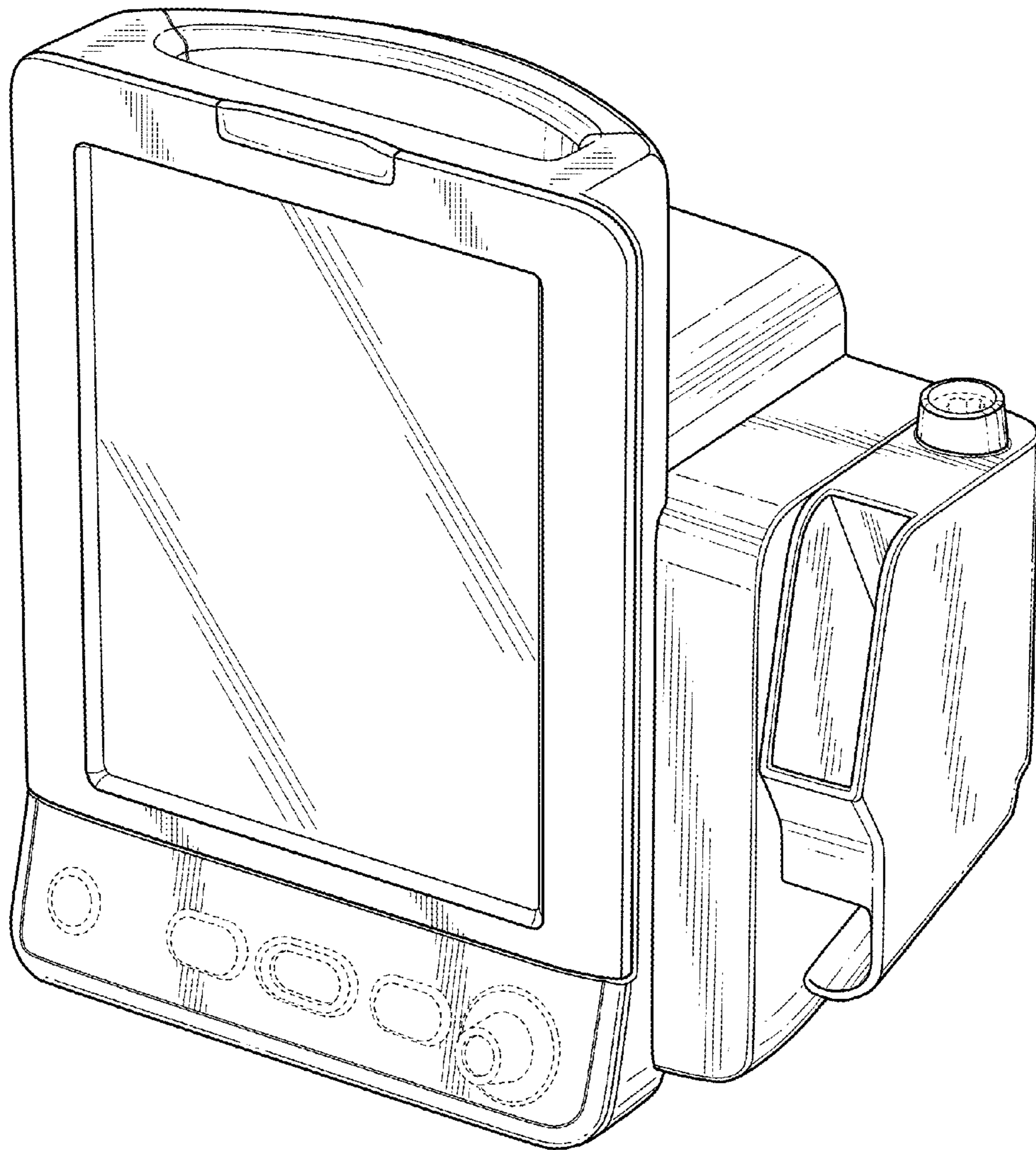
**DESCRIPTION**

FIG. 1 is a front perspective of an embodiment of a patient monitor showing our new design;  
FIG. 2 is a rear perspective view thereof;  
FIG. 3 is a front elevation view thereof;  
FIG. 4 is a rear elevation view thereof;  
FIG. 5 is a left side elevation view thereof;  
FIG. 6 is a right side elevation view thereof;  
FIG. 7 is a top plan view thereof; and,  
FIG. 8 is a bottom plan view thereof.

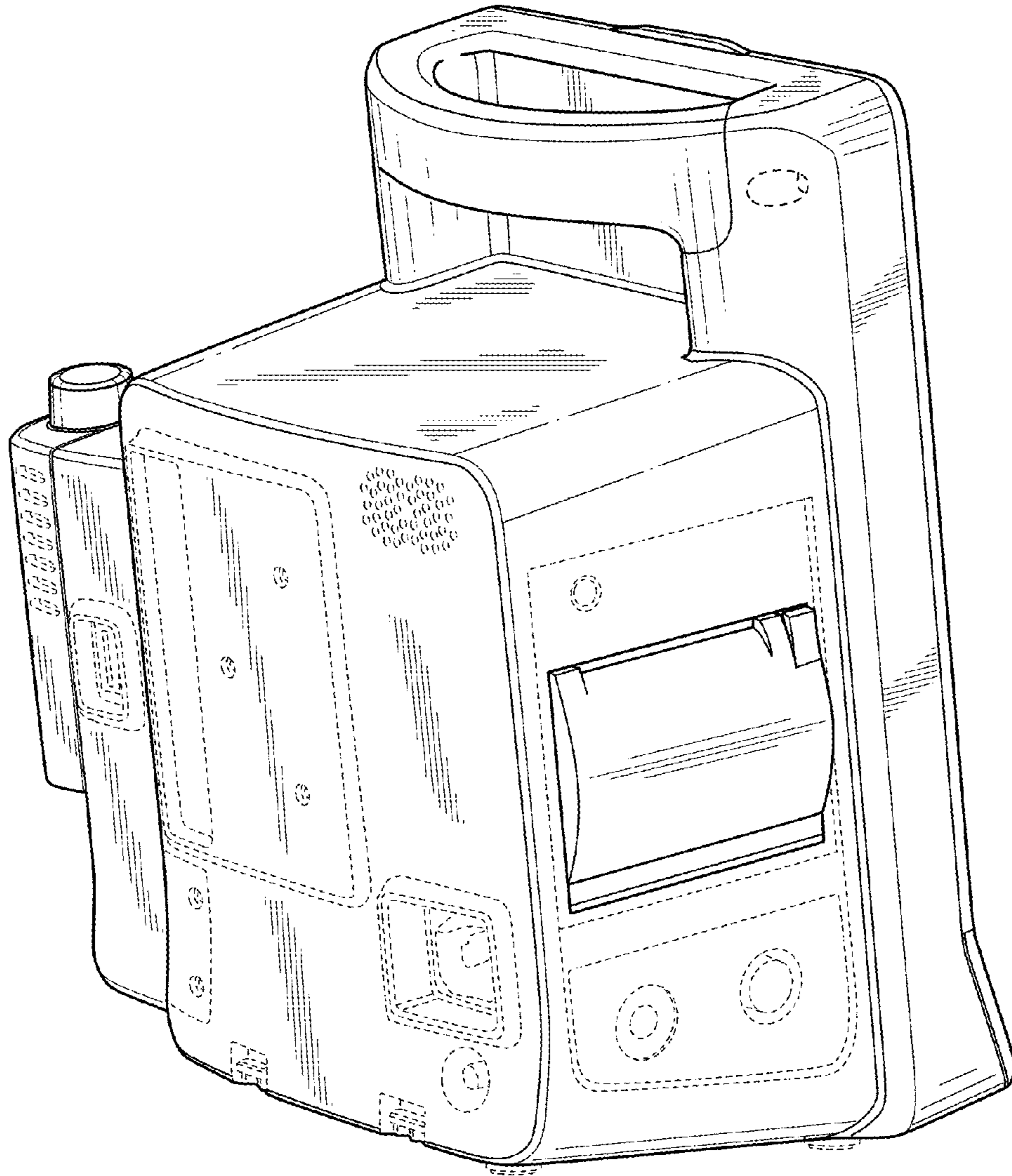
The broken lines immediately adjacent the shaded areas represent the bounds of the claimed design, while all other broken lines are directed to environment and are for illustrative purposes only; the broken lines form no part of the claimed design.

**1 Claim, 8 Drawing Sheets**

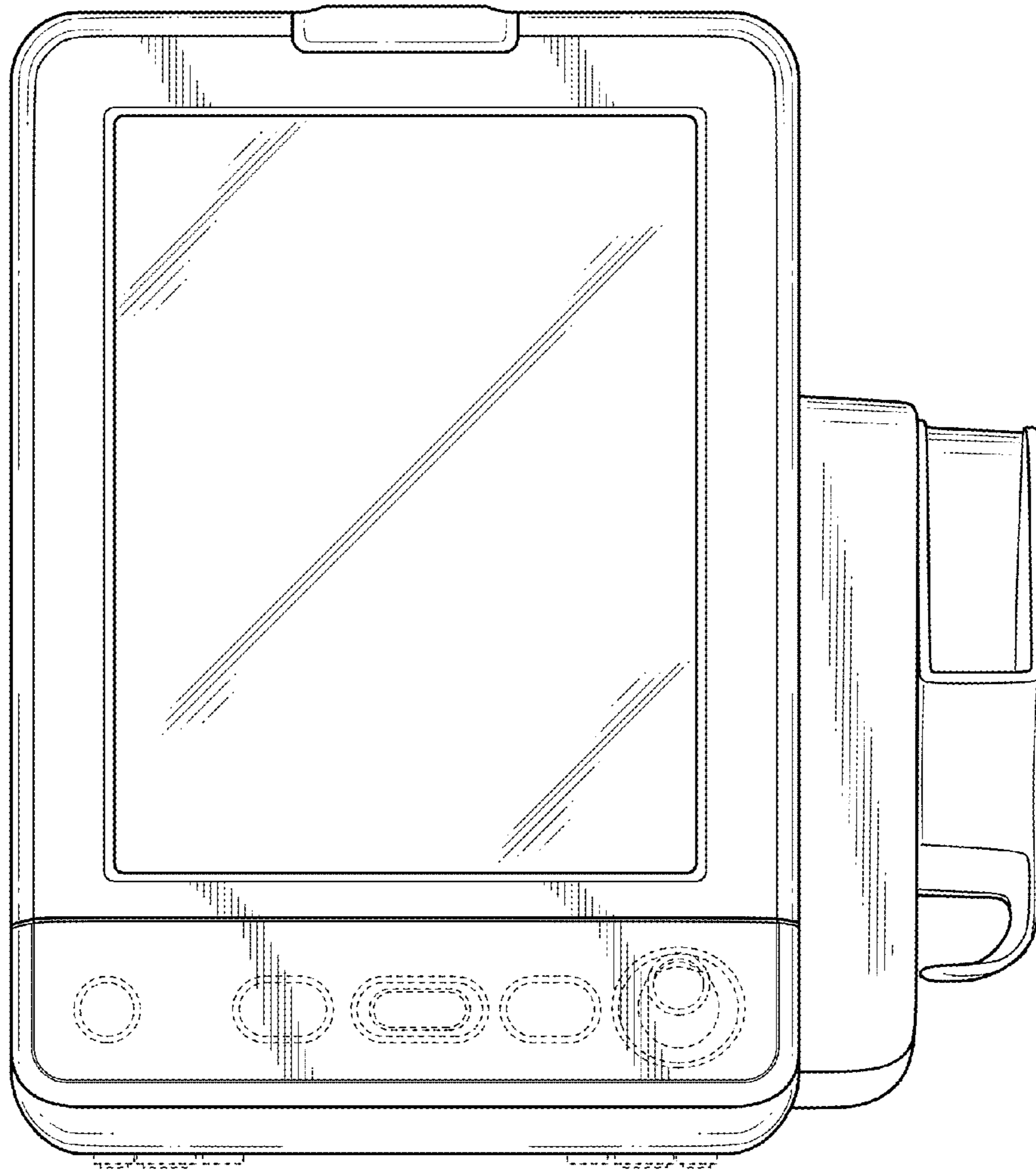




**FIG. 1**



**FIG. 2**



**FIG. 3**

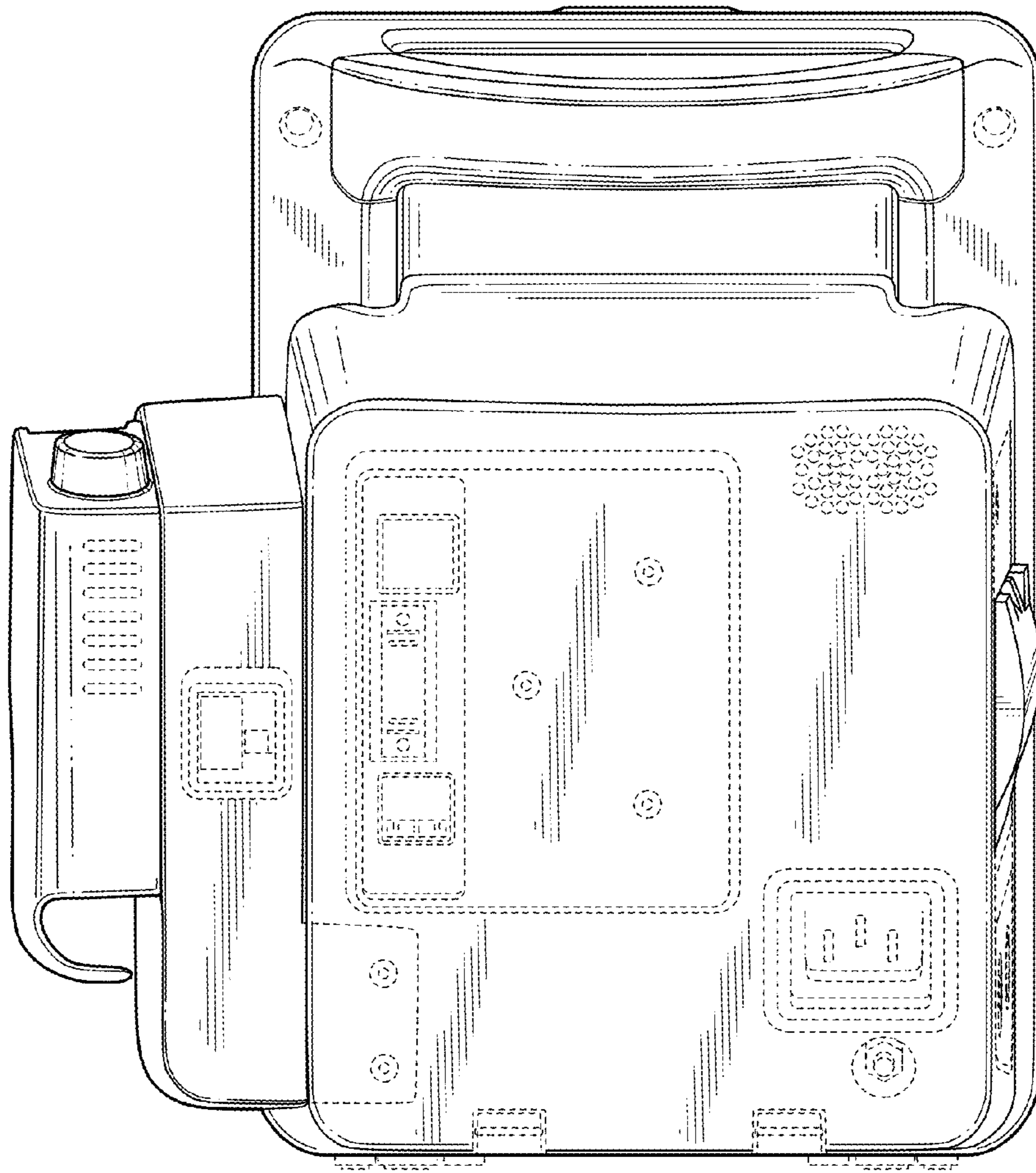
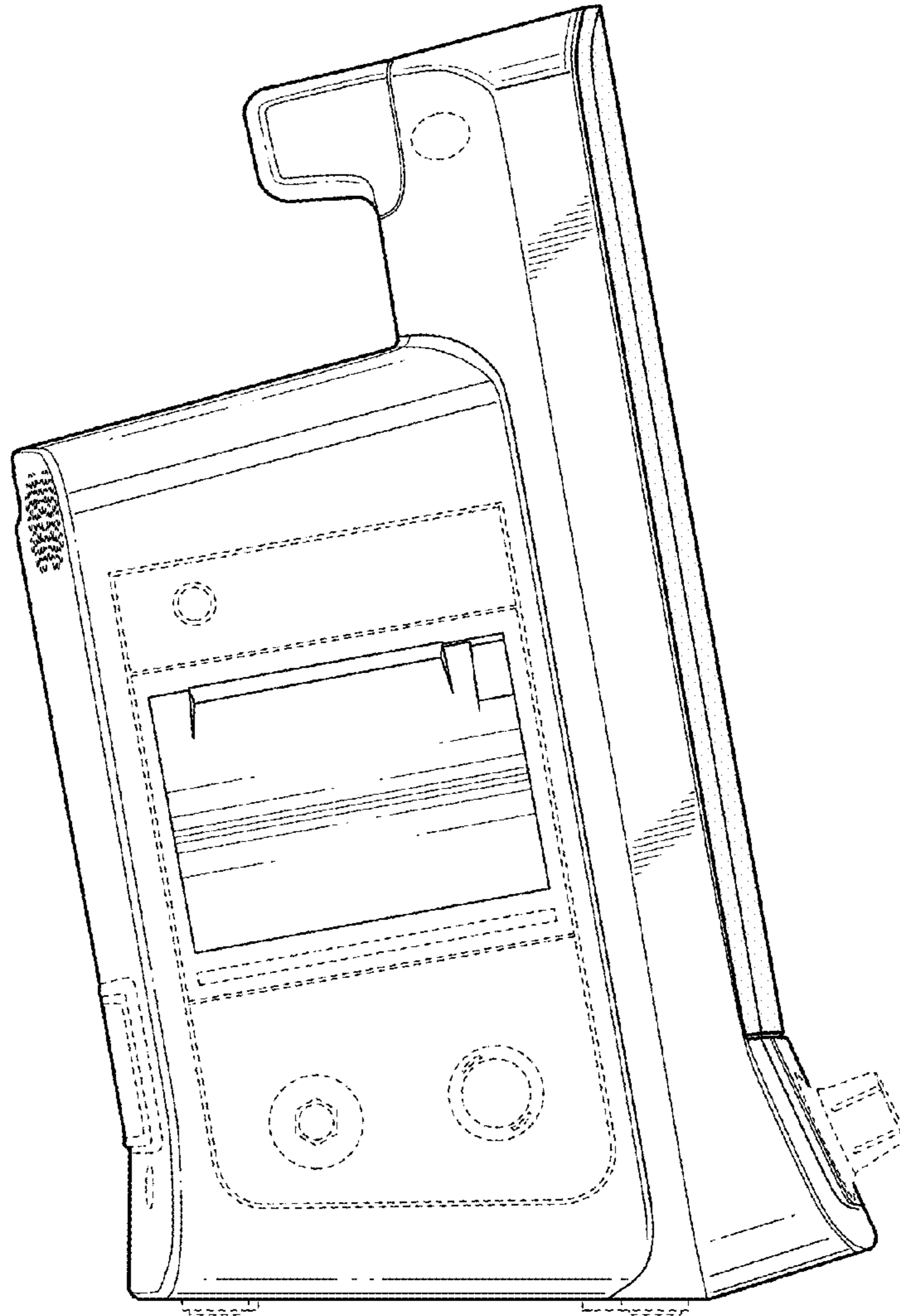
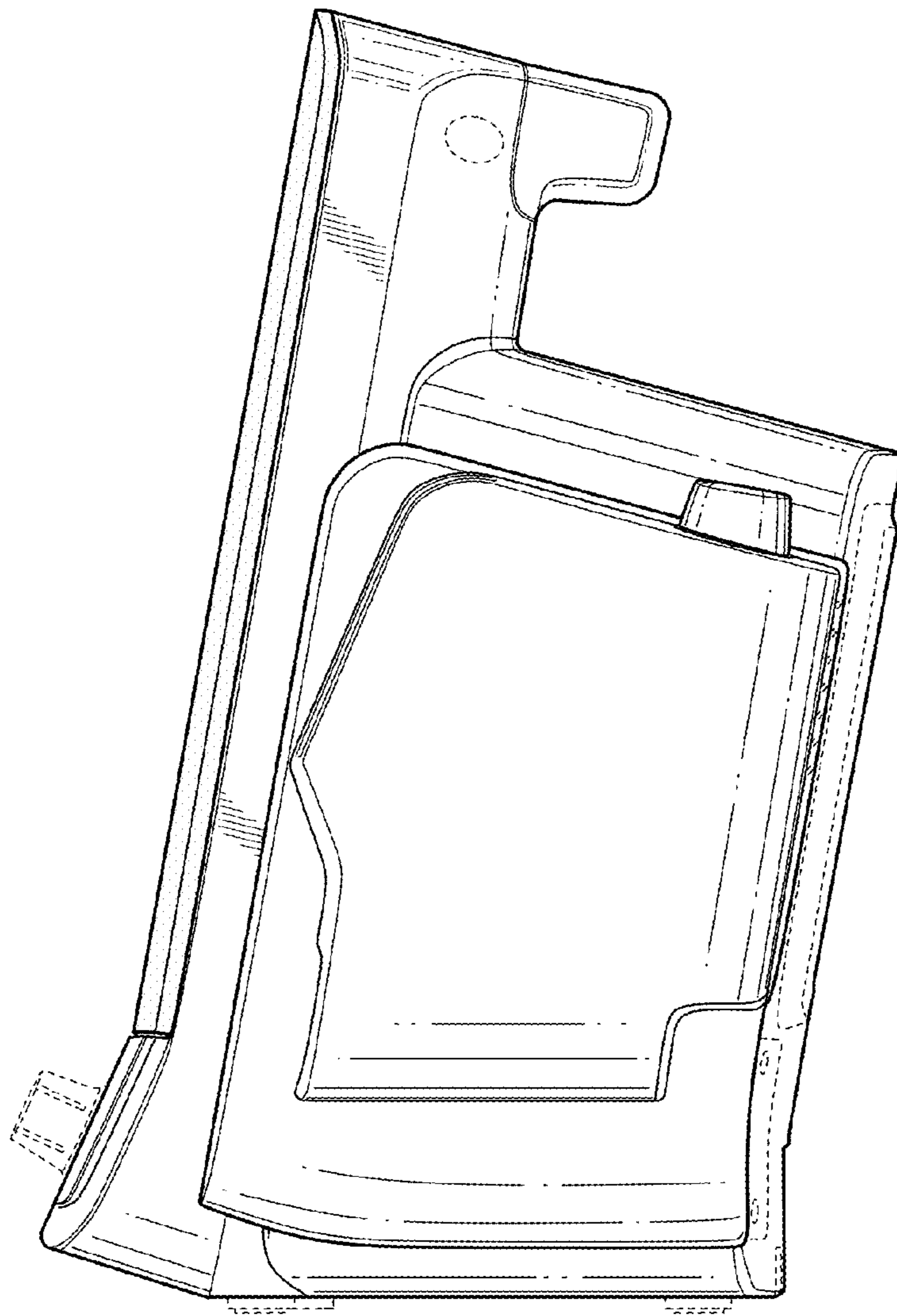


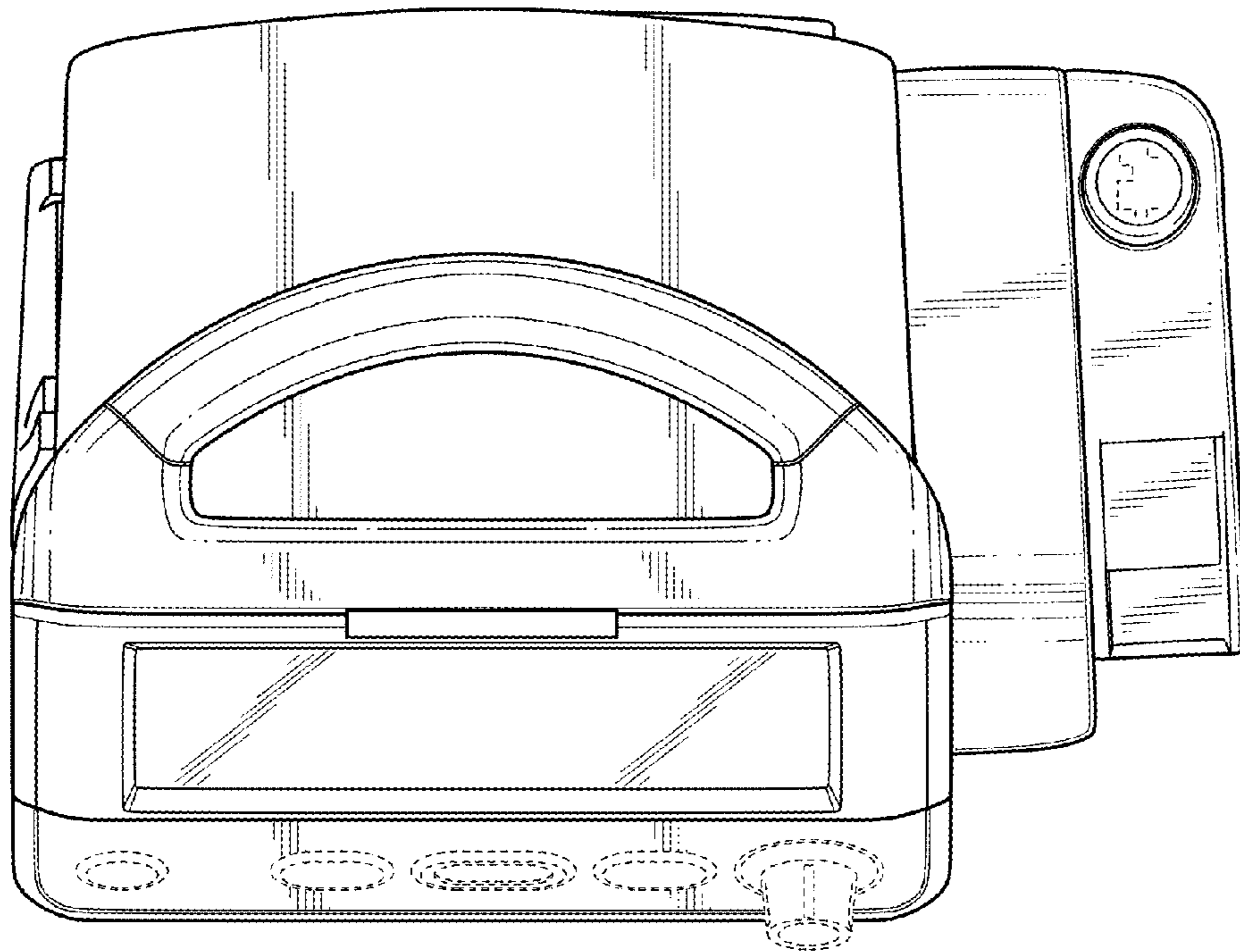
FIG. 4



**FIG. 5**



**FIG. 6**



**FIG. 7**



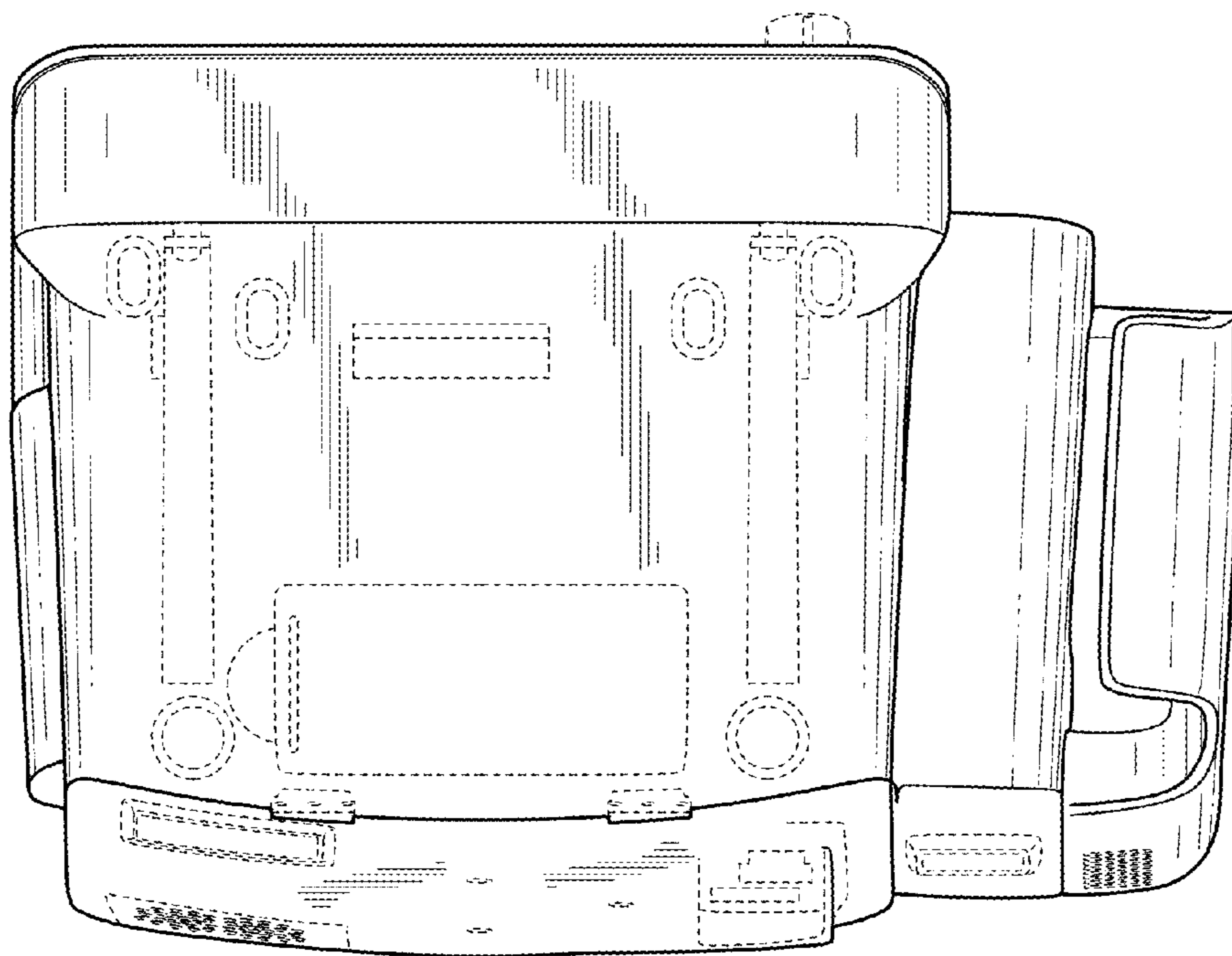


FIG. 8