



US00D711002S

(12) **United States Design Patent**
Ohnemus et al.

(10) **Patent No.:** **US D711,002 S**

(45) **Date of Patent:** **** Aug. 12, 2014**

(54) **HEALTH BAND**

(71) Applicant: **dacadoo ag**, Zurich (CH)

(72) Inventors: **Peter Ohnemus**, Künsnacht (CH); **Jesper Ohnemus**, Odense M. (CH); **Andre Naef**, Zurich (CH)

(73) Assignee: **Dacadoo AG**, Zurich (CH)

(**) Term: **14 Years**

(21) Appl. No.: **29/454,610**

(22) Filed: **May 13, 2013**

(51) **LOC (10) Cl.** **24-01**

(52) **U.S. Cl.**
USPC **D24/186**

(58) **Field of Classification Search**
CPC A16N 1/04; G06F 1/163
USPC D24/140, 158, 167–168, 186–187, 165;
600/384, 391, 393, 500, 503; 607/142,
607/148, 152; D11/3, 4, 17; 63/1.13, 1.14,
63/3; D10/31, 32; D14/358
See application file for complete search history.

(56) **References Cited**

U.S. PATENT DOCUMENTS

D398,999	S	*	9/1998	Maeda et al.	D24/165
D403,070	S	*	12/1998	Maeda et al.	D24/165
D406,346	S	*	3/1999	Hirakawa	D24/165
D440,163	S	*	4/2001	Callis	D10/31
D443,362	S	*	6/2001	Storp	D24/165
D450,849	S	*	11/2001	Rantala	D24/165
6,314,058	B1	*	11/2001	Lee	600/500
D452,005	S	*	12/2001	Rantala	D24/165
D452,006	S	*	12/2001	Komulainen	D24/167
D475,136	S	*	5/2003	Taniguchi	D24/165
D508,038	S	*	8/2005	Bonadei	D10/32
6,982,930	B1	*	1/2006	Hung	600/503
D540,695	S	*	4/2007	Leung	D10/31
D556,194	S	*	11/2007	Rambosek et al.	D11/2

(Continued)

Primary Examiner — T. Chase Nelson

Assistant Examiner — Mark Cavanna

(74) Attorney, Agent, or Firm — Leason Ellis LLP

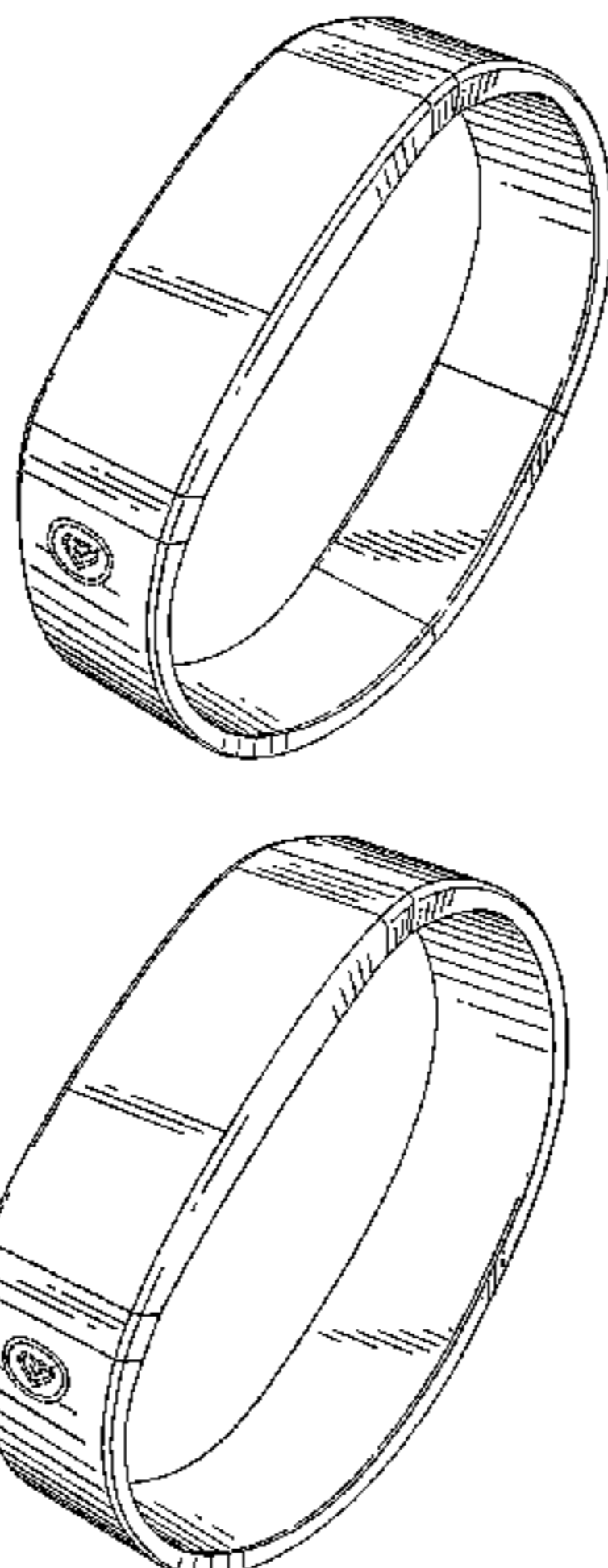
(57) **CLAIM**

The ornamental design for a health band, as shown and described.

DESCRIPTION

FIG. 1 is a front-right perspective view of a health band in accordance with a first embodiment;
 FIG. 2 is a left side elevation view of the health band in accordance with the first embodiment, the right side view being a mirror image thereof;
 FIG. 3 is a front elevation view of the health band in accordance with the first embodiment;
 FIG. 4 is a rear elevation view of the health band in accordance with the first embodiment;
 FIG. 5 is a top plan view of the health band in accordance with the first embodiment;
 FIG. 6 is a bottom plan view of the health band in accordance with the first embodiment;
 FIG. 7 is a front-right perspective view of a health band in accordance with a second embodiment;
 FIG. 8 is a left side elevation of the health band in accordance with the second embodiment, the right side view being a mirror image thereof;
 FIG. 9 is a front elevation view of the health band in accordance with the second embodiment;
 FIG. 10 is a rear elevation view of the health band in accordance with the second embodiment;
 FIG. 11 is a top plan view of the health band in accordance with the second embodiment; and,
 FIG. 12 is a bottom plan view of the health band in accordance with the second embodiment.
 The broken lines shown are included for the purpose of illustrating unclaimed portions of the health band and form no part of the claimed design.

1 Claim, 6 Drawing Sheets



(56)

References Cited

U.S. PATENT DOCUMENTS

D558,198 S * 12/2007 Blankenship et al. D11/2
D560,134 S * 1/2008 Chen et al. D11/4
D564,367 S * 3/2008 Molyneux D10/31
7,341,561 B2 * 3/2008 Tanaka et al. 600/503
D565,427 S * 4/2008 Ellner et al. D10/31

D567,227 S * 4/2008 Hada D11/4
D600,571 S * 9/2009 Singer D10/32
D643,428 S * 8/2011 Janky et al. D14/358
D667,126 S * 9/2012 Cho et al. D24/186
D671,858 S * 12/2012 Cobbett et al. D11/3
D688,585 S * 8/2013 Ohnemus et al. D11/3
2008/0236195 A1 * 10/2008 Woebke 63/1.14

* cited by examiner

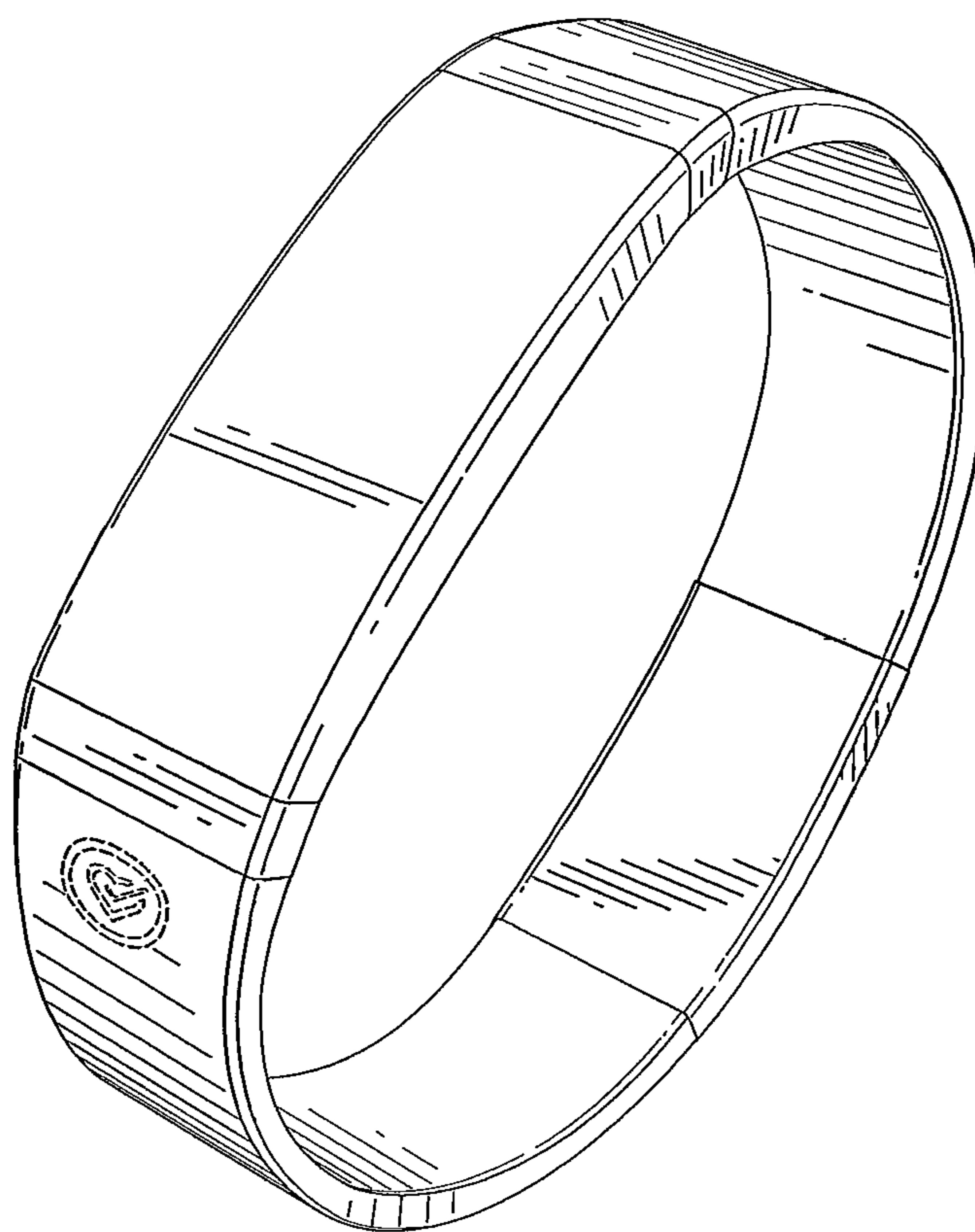


Fig. 1

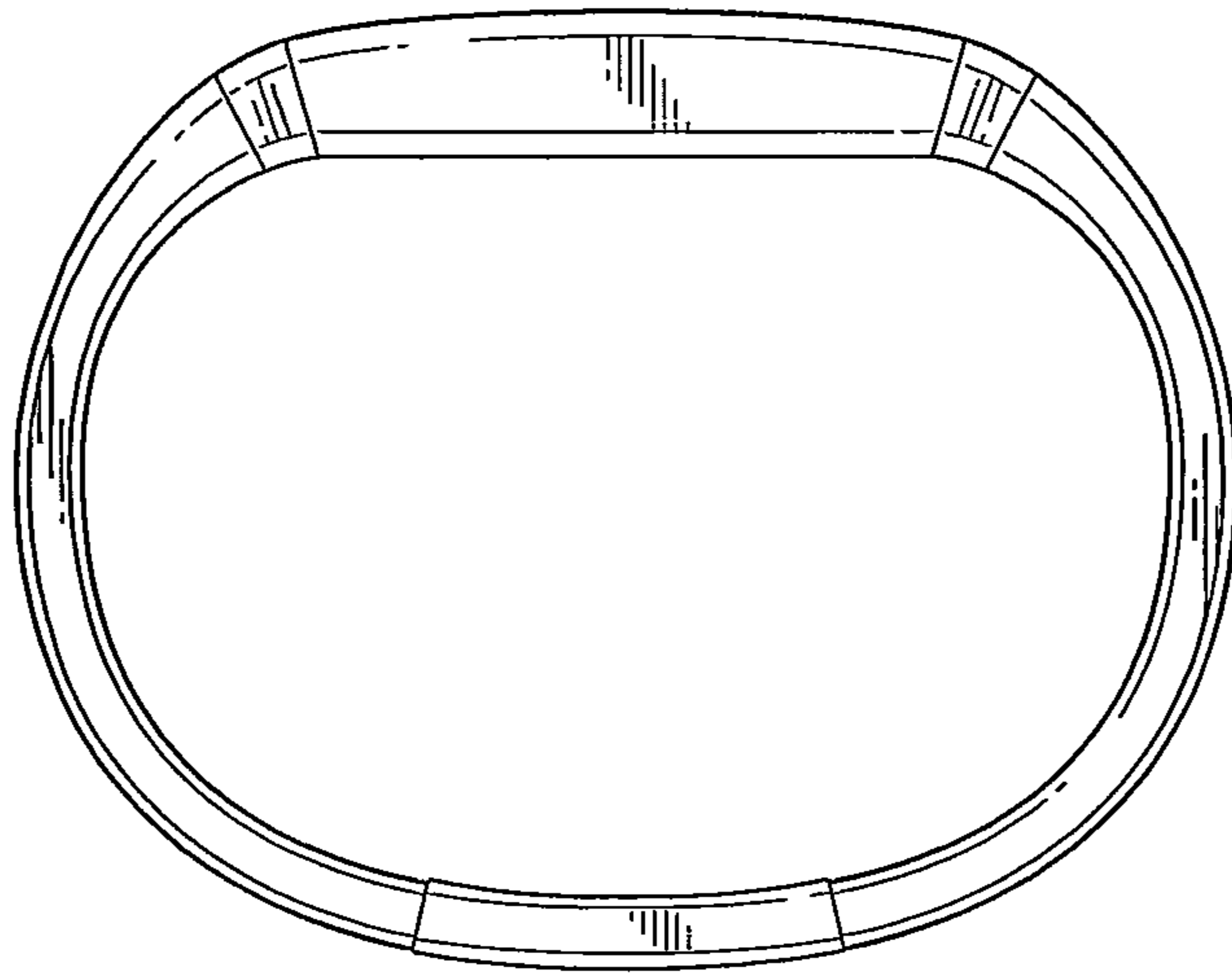


Fig. 2

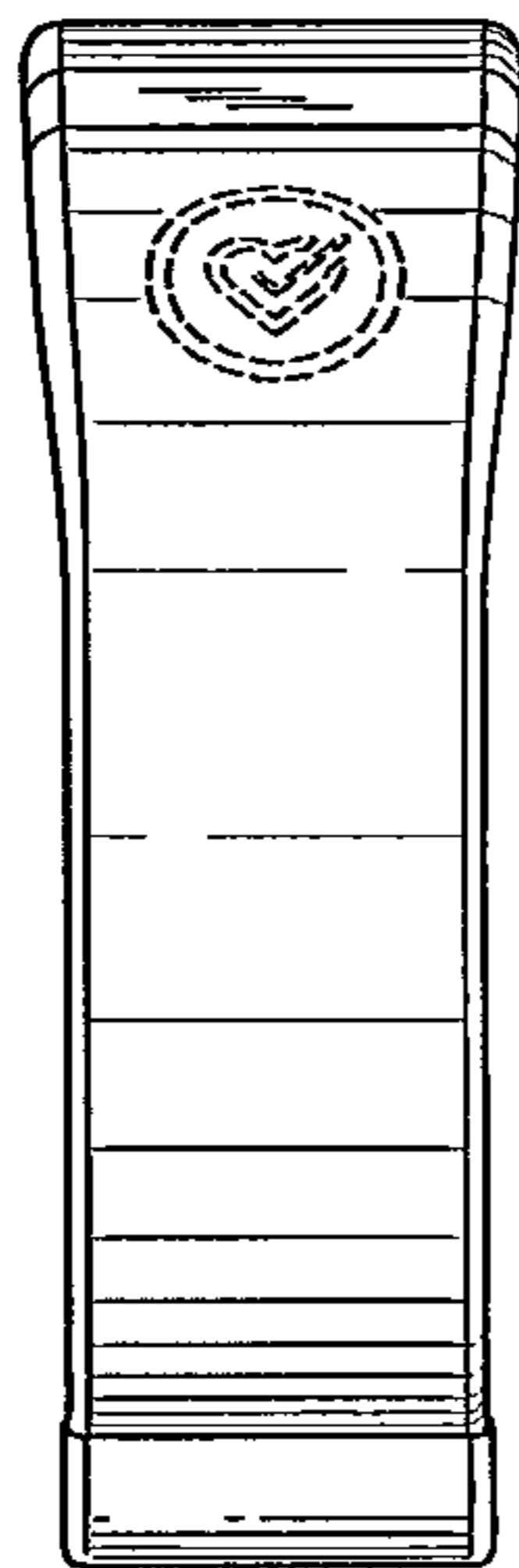


Fig. 3

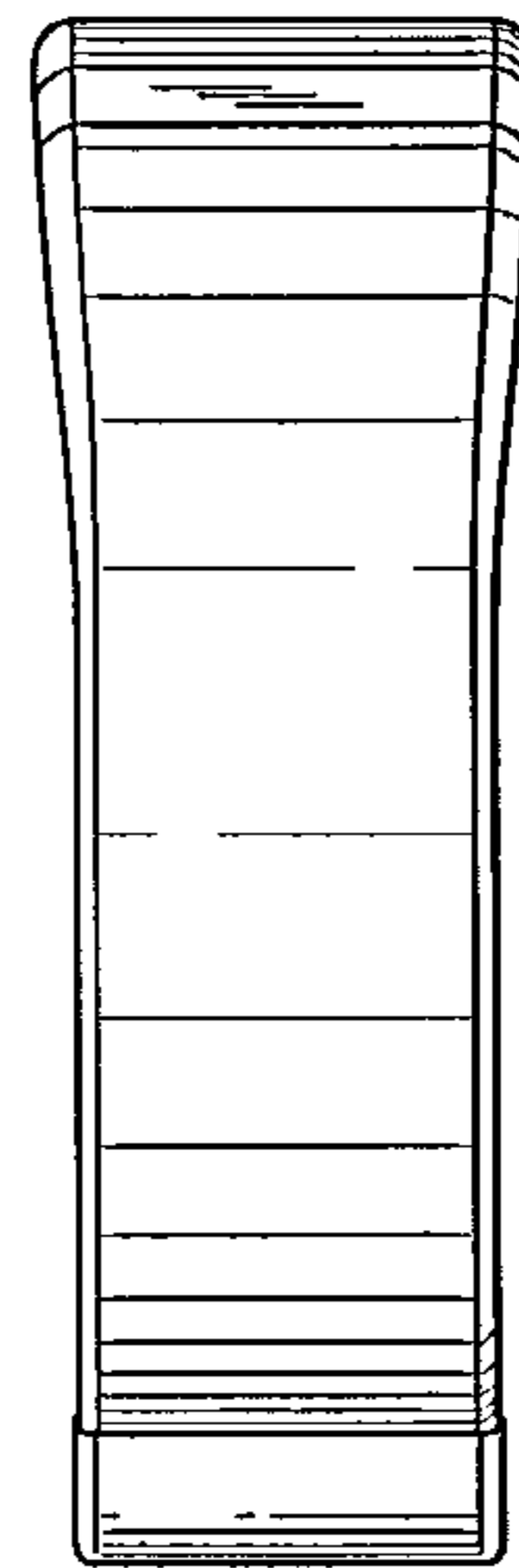


Fig. 4

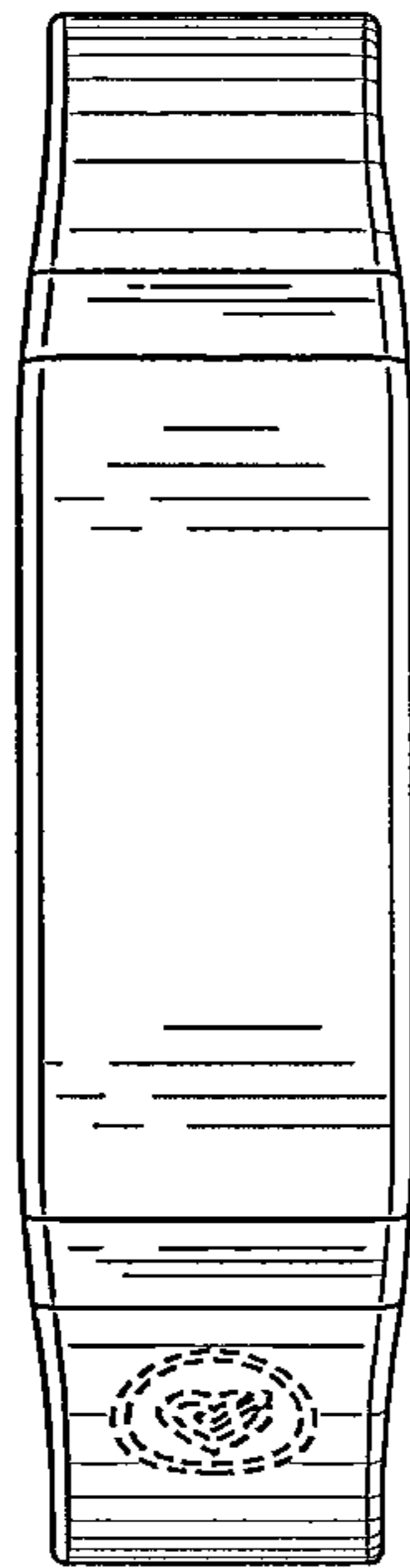


Fig. 5

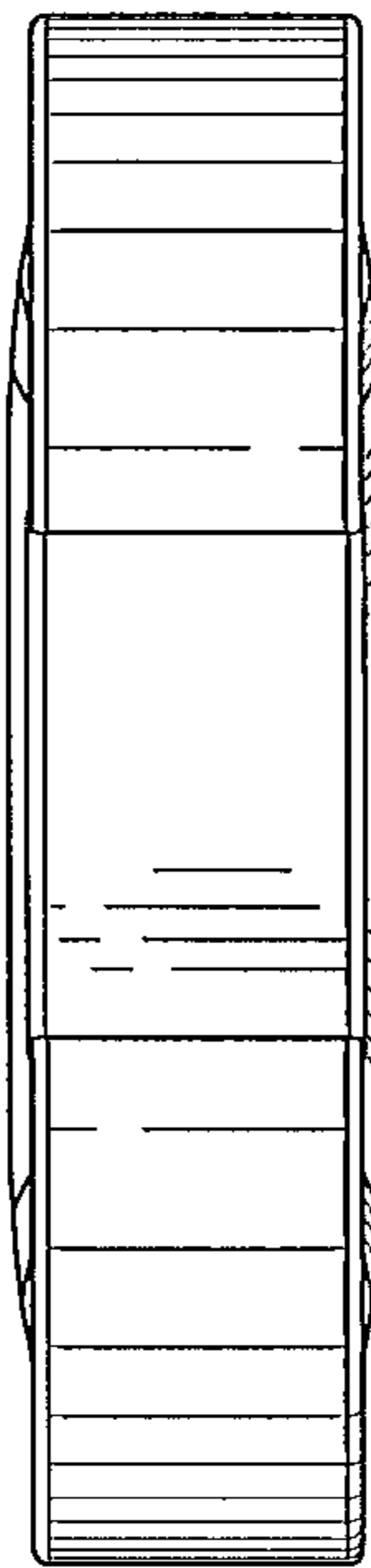


Fig. 6

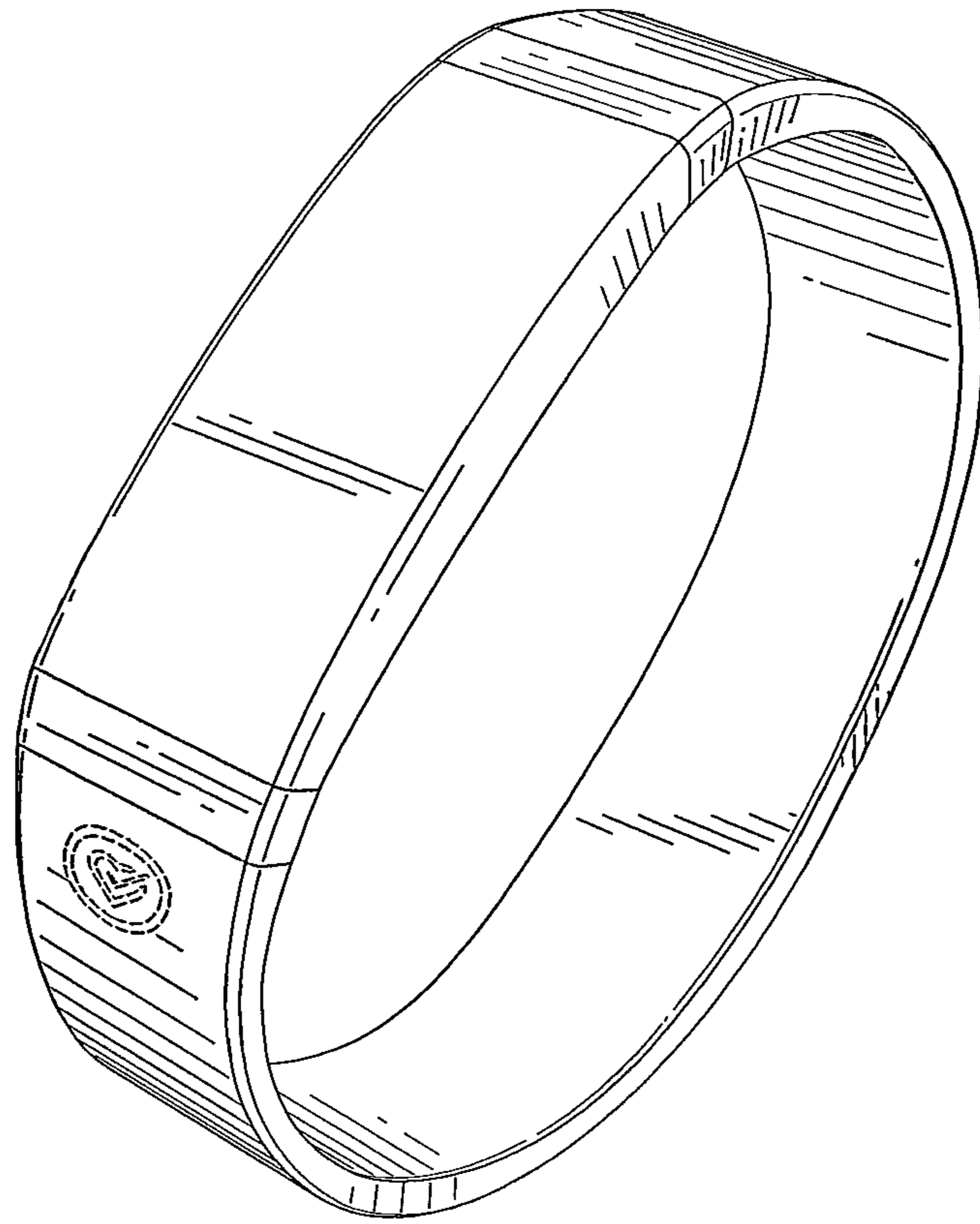


Fig. 7

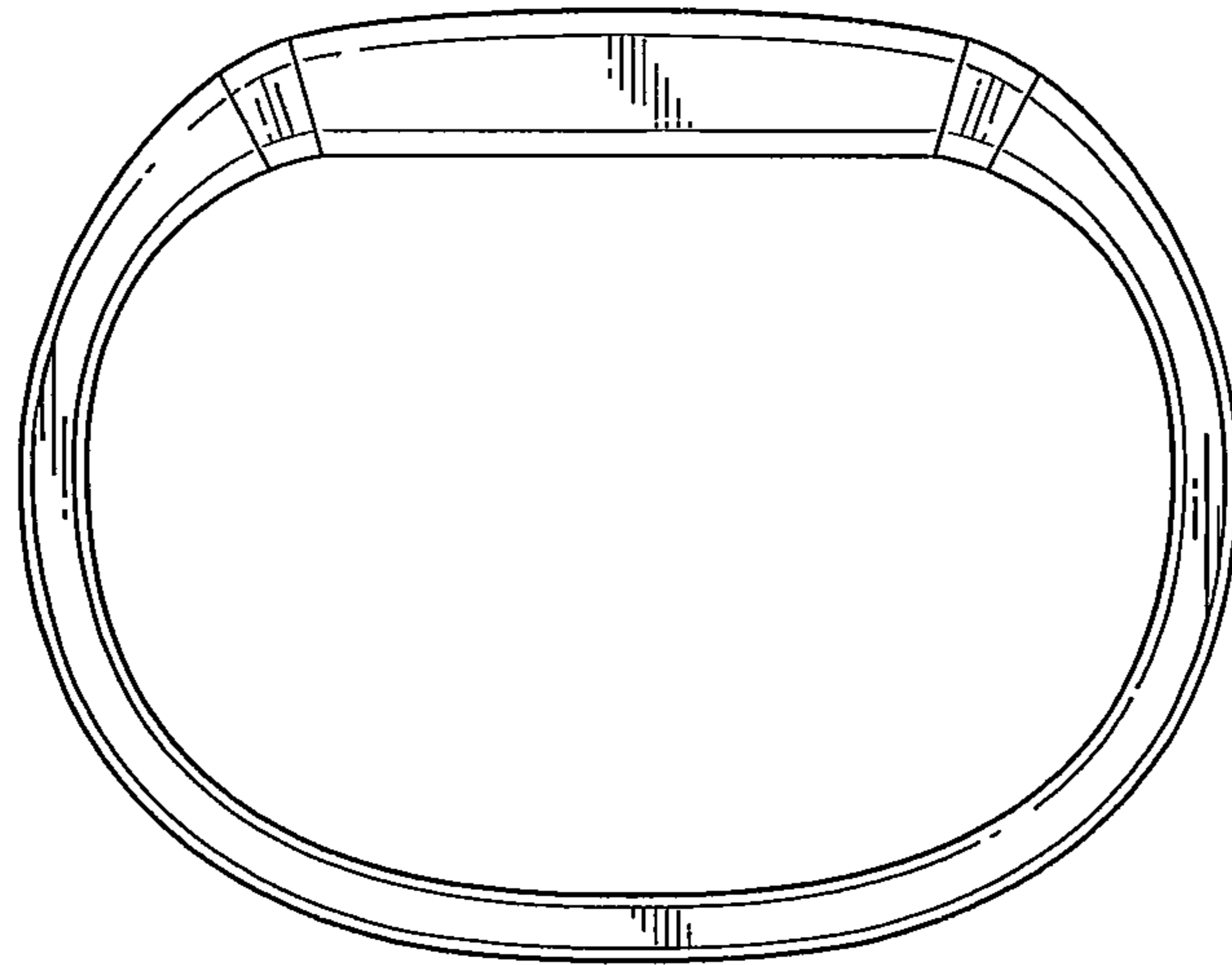


Fig. 8

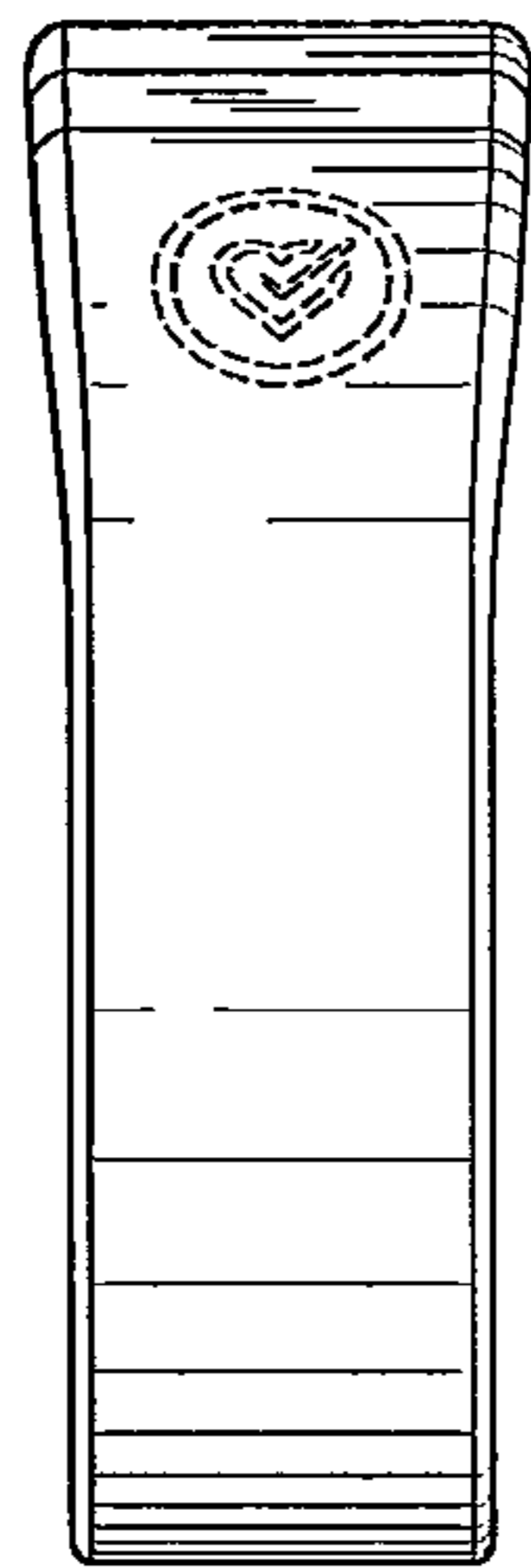


Fig. 9

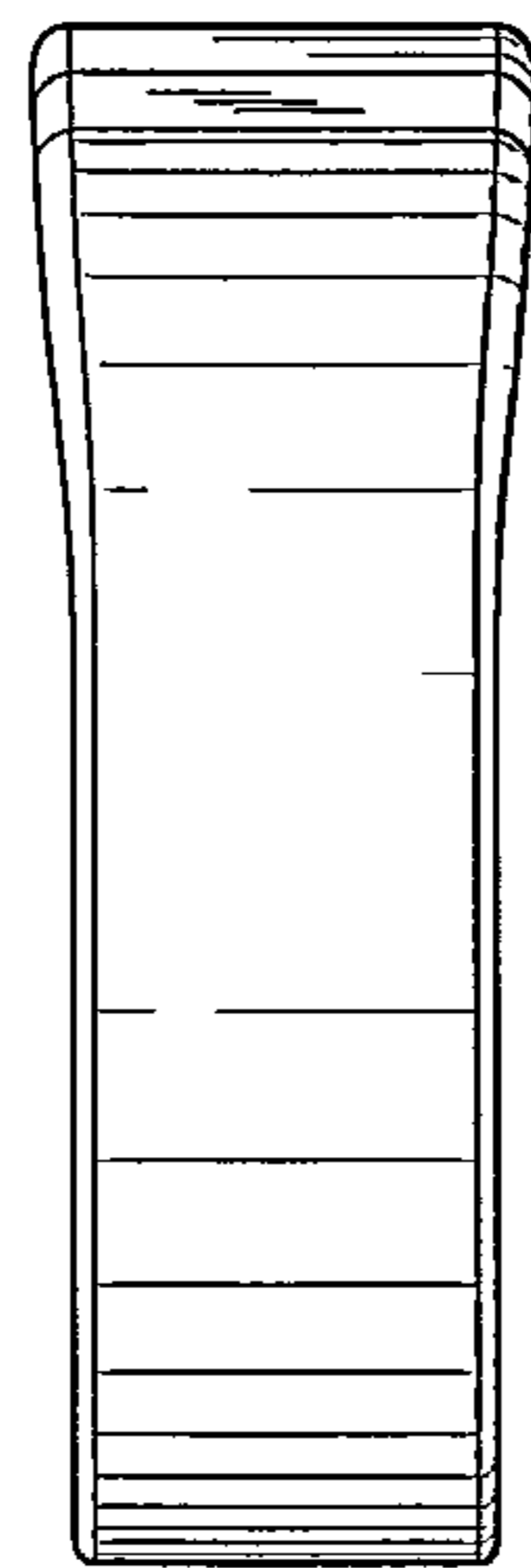


Fig. 10

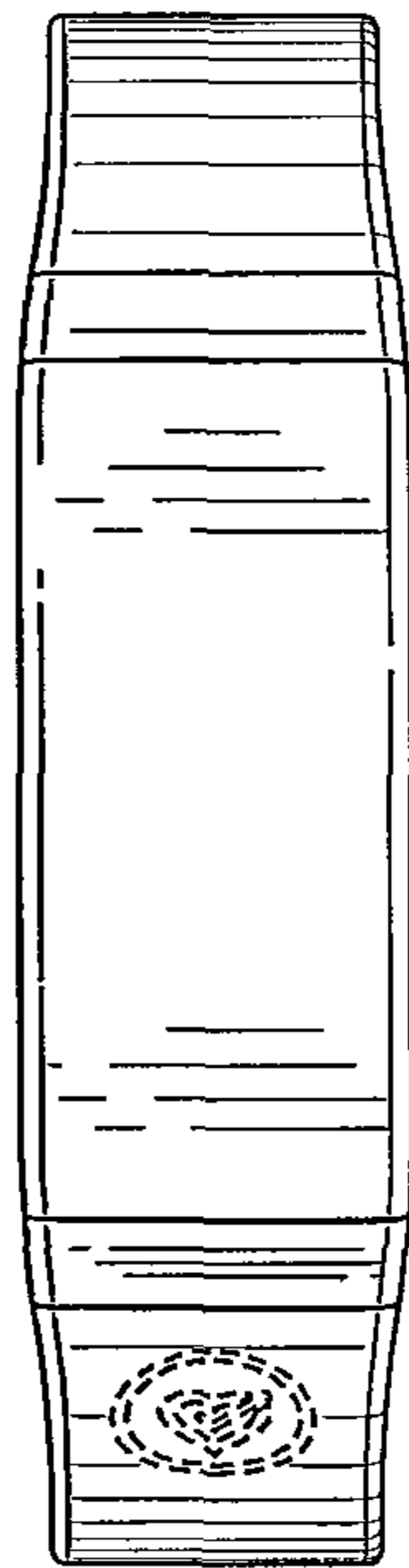


Fig. 11

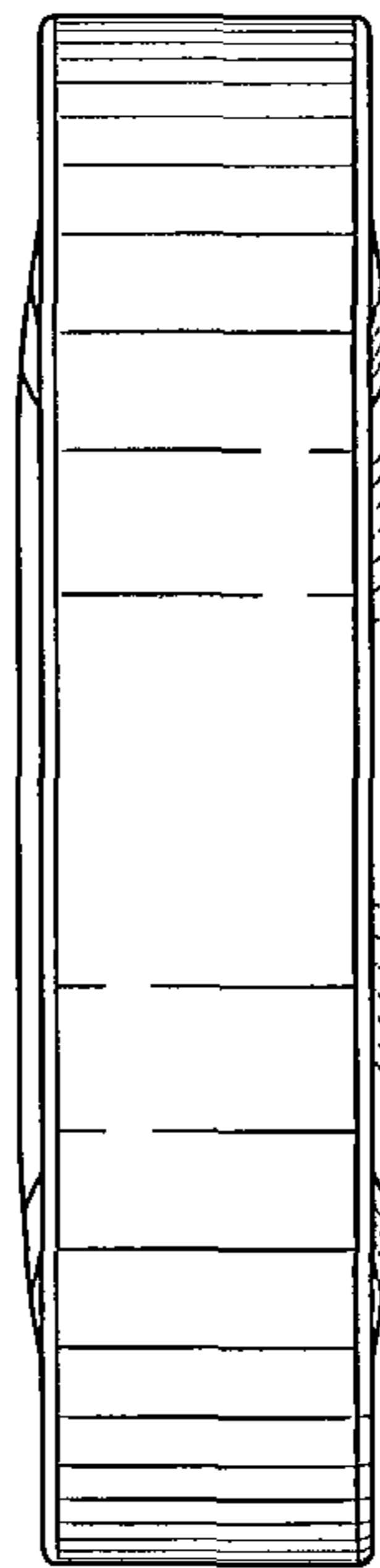


Fig. 12